



US00D863233S

(12) **United States Design Patent**  
**Oberlaender et al.**

(10) **Patent No.:** **US D863,233 S**  
(45) **Date of Patent:** **\*\* Oct. 15, 2019**

(54) **FOOT SWITCH**

(71) Applicant: **steute Schaltgeraete GmbH & Co. KG, Loehne (DE)**

(72) Inventors: **Matthias Oberlaender**, Bad Oeynhausen (DE); **Christof Gerhardy**, Bad Oeynhausen (DE); **Ralf Twellmann**, Obernkirchen (DE)

(73) Assignee: **steute Schaltgeraete GmbH & Co. KG, Loehne (DE)**

(\*\*) Term: **15 Years**

(21) Appl. No.: **29/646,873**

(22) Filed: **May 8, 2018**

(30) **Foreign Application Priority Data**

Nov. 9, 2017 (EM) ..... 004500163-0003

(51) **LOC (12) Cl.** ..... **13-03**

(52) **U.S. Cl.**  
USPC ..... **D13/167**

(58) **Field of Classification Search**  
USPC ..... D13/164, 167; D15/72; D17/20, 99; D24/179  
CPC .. G10H 1/0002; G10H 1/0008; G10H 1/0058; G10H 1/0556; G10H 1/32; G10H 1/34; G10H 1/344; G10H 1/46; G10H 1/348; G10H 3/146; H01H 211/26; H01H 13/14; H01H 13/16; G06F 3/0034  
See application file for complete search history.

(56) **References Cited**

**U.S. PATENT DOCUMENTS**

D559,199 S \* 1/2008 Schurg ..... D13/167  
7,428,439 B1 \* 9/2008 Reynolds ..... G06F 3/0383  
318/400.18

D589,460 S \* 3/2009 Yang ..... D13/167  
D623,209 S \* 9/2010 Matuschek ..... D13/167  
D665,756 S \* 8/2012 Tseng ..... D13/167  
D713,529 S \* 9/2014 Li ..... D13/167  
D766,842 S \* 9/2016 Lewis ..... D13/167  
D767,506 S \* 9/2016 Lewis ..... D13/167  
D768,091 S \* 10/2016 Lewis ..... D13/167  
D790,482 S \* 6/2017 Lazzaro ..... D13/167  
D817,897 S \* 5/2018 Lin ..... D13/164  
2007/0078539 A1 \* 4/2007 Kuhner ..... H01H 3/14  
700/90  
2008/0229914 A1 \* 9/2008 Nathaniel ..... G10H 1/348  
84/644  
2009/0205937 A1 \* 8/2009 Kuehner ..... H01H 21/26  
200/86.5  
2011/0011708 A1 \* 1/2011 Ellafrits ..... A61B 6/00  
200/86.5  
2013/0168212 A1 \* 7/2013 Tseng ..... H01H 13/16  
200/86.5  
2015/0216513 A1 \* 8/2015 Hamel ..... A61B 17/32002  
340/12.5  
2018/0373284 A1 \* 12/2018 Lewis ..... G05G 1/30

\* cited by examiner

*Primary Examiner* — Selina Sikder

(74) *Attorney, Agent, or Firm* — Collard & Roe, P.C.

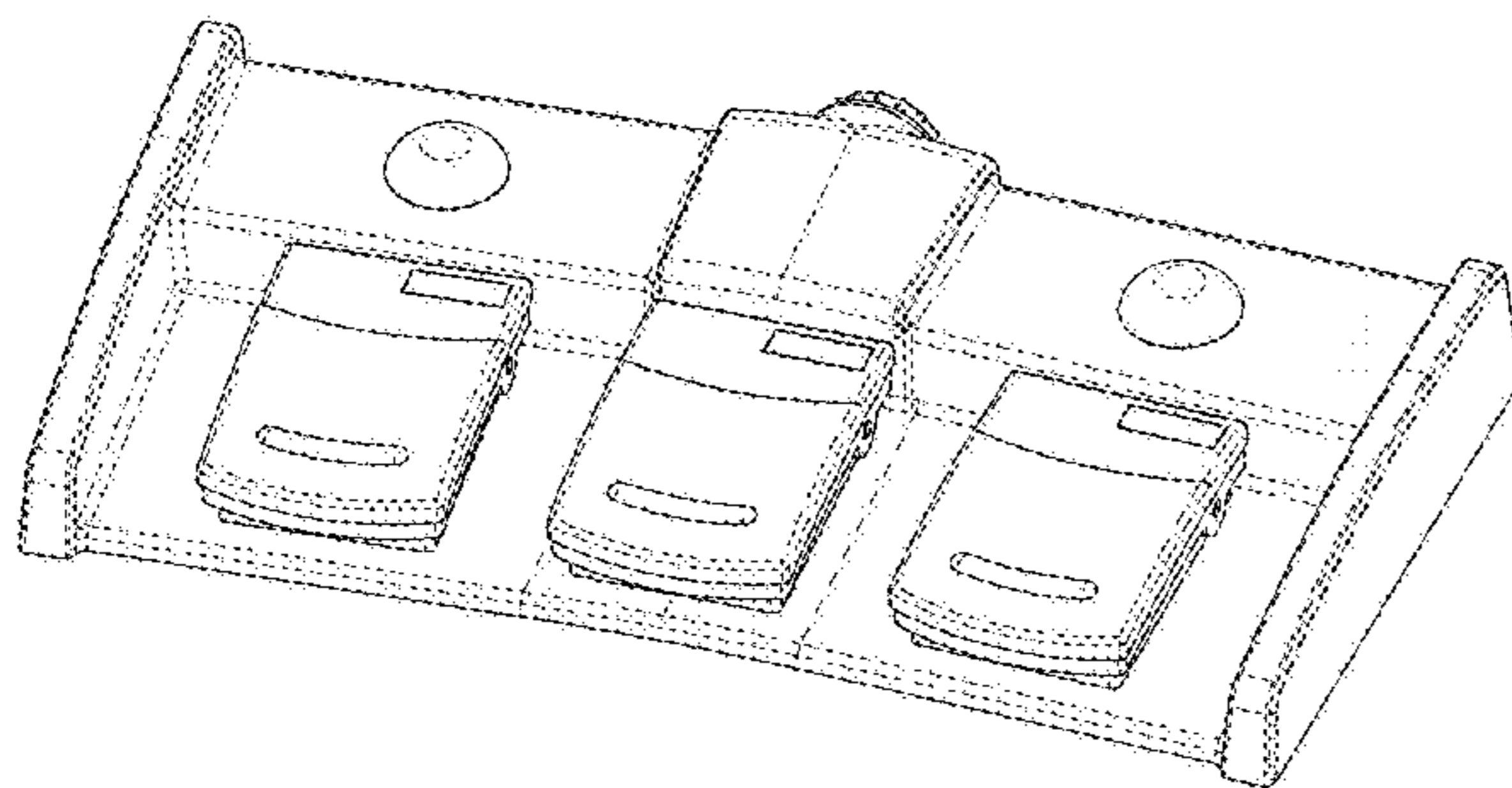
(57) **CLAIM**

The ornamental design for a foot switch, as shown and described.

**DESCRIPTION**

FIG. 1 is a front, top and right side perspective view of a foot switch, showing our new design;  
FIG. 2 is a rear view thereof;  
FIG. 3 is a left view thereof;  
FIG. 4 is a top view thereof;  
FIG. 5 is a right side view thereof;  
FIG. 6 is a bottom view thereof; and,  
FIG. 7 is a front view thereof.

**1 Claim, 6 Drawing Sheets**



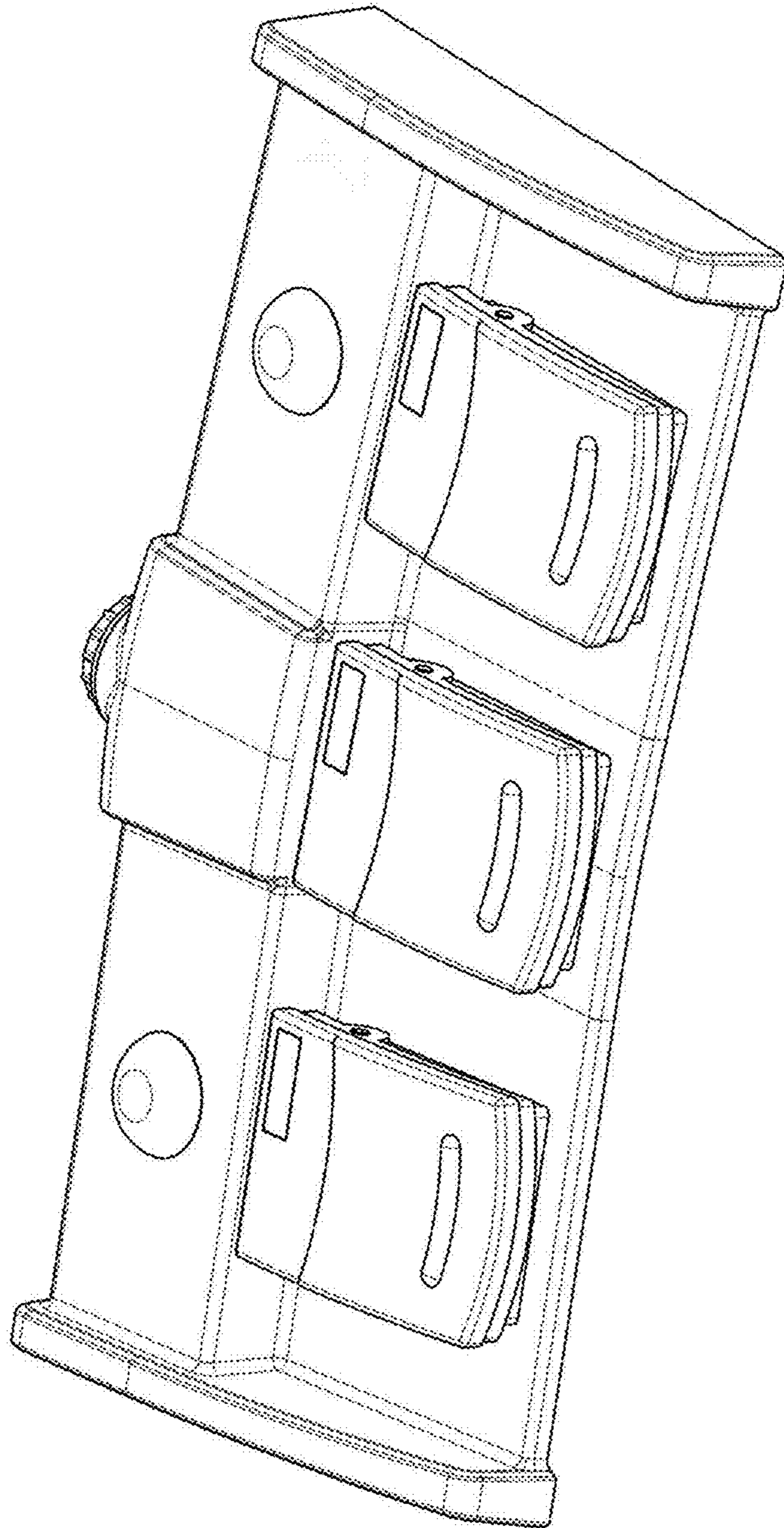


FIG. 1

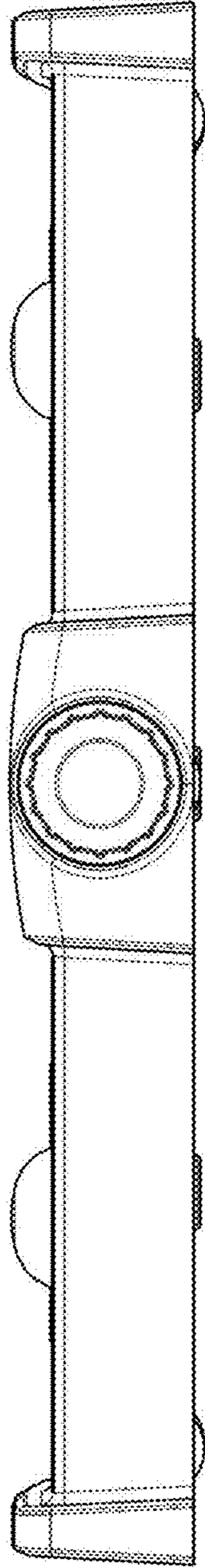


FIG. 2

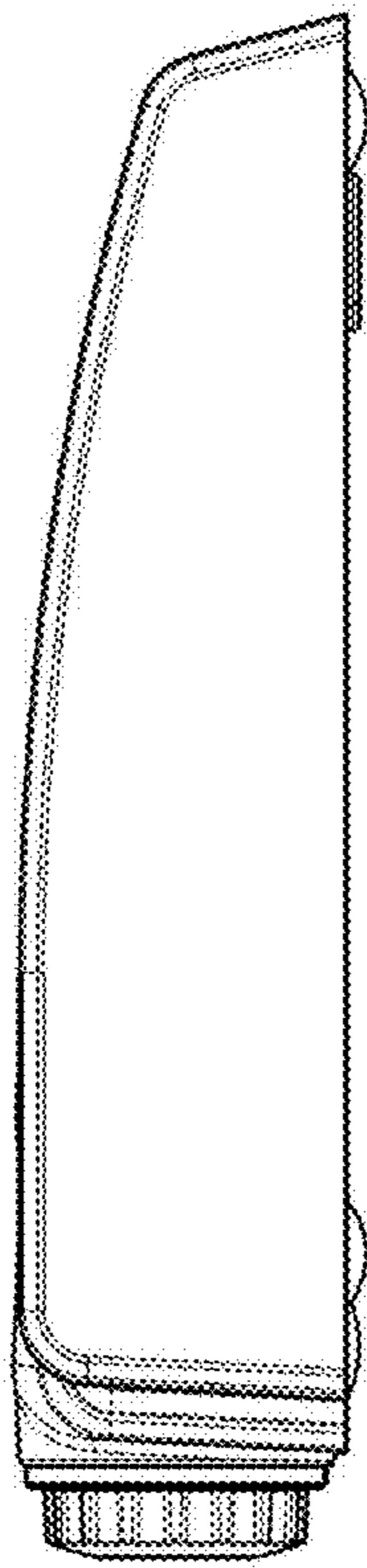


FIG. 3

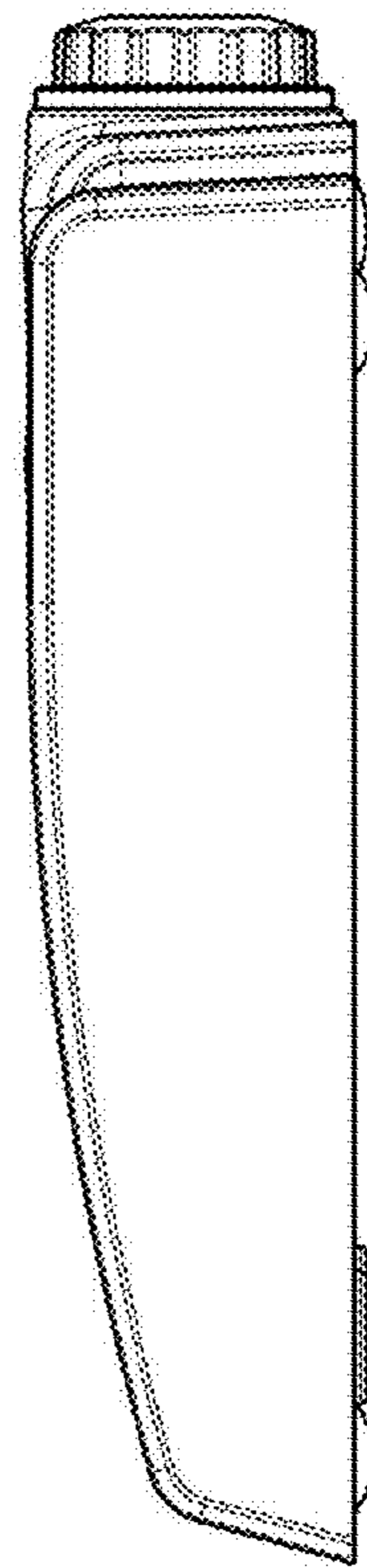


FIG. 5

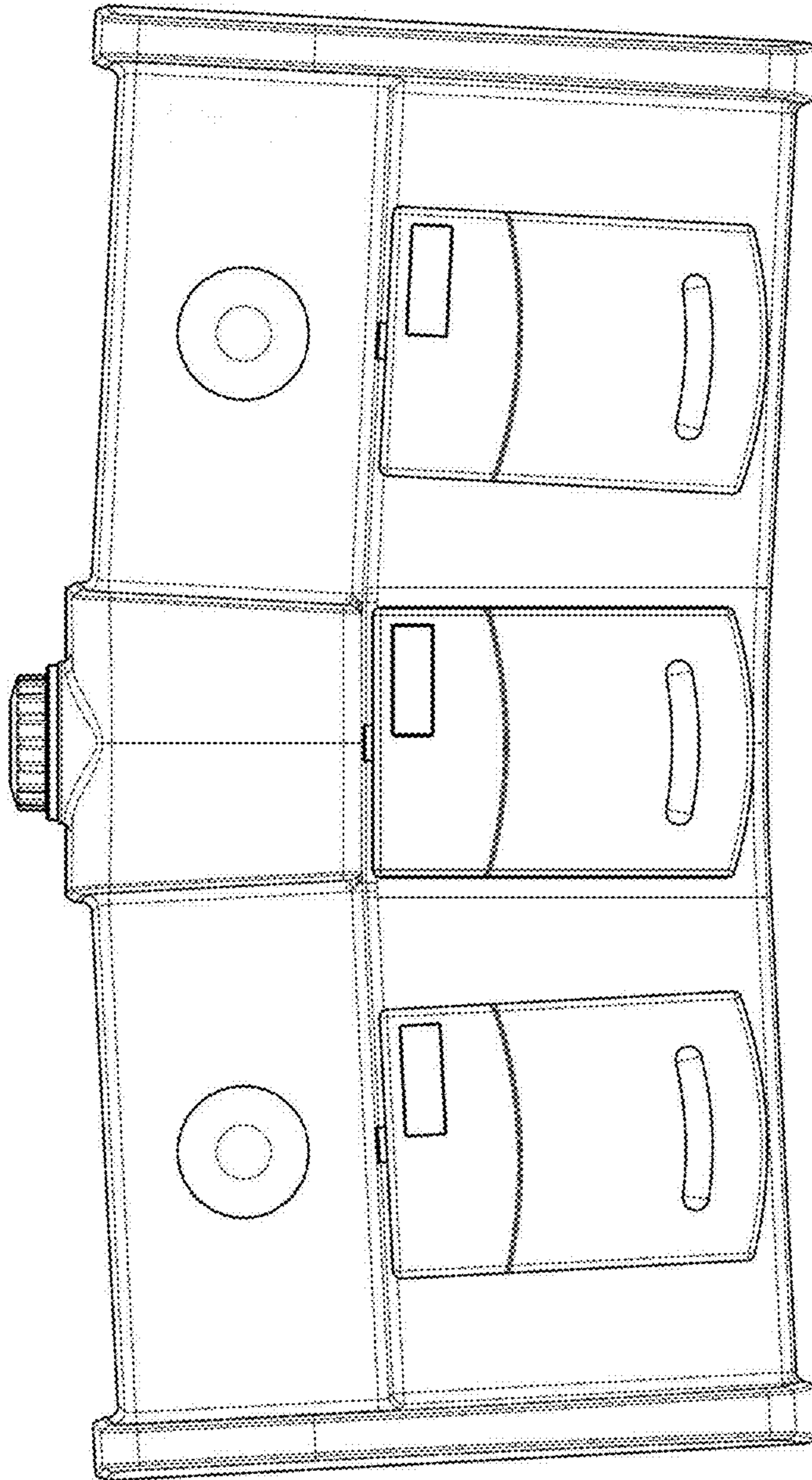


FIG. 4

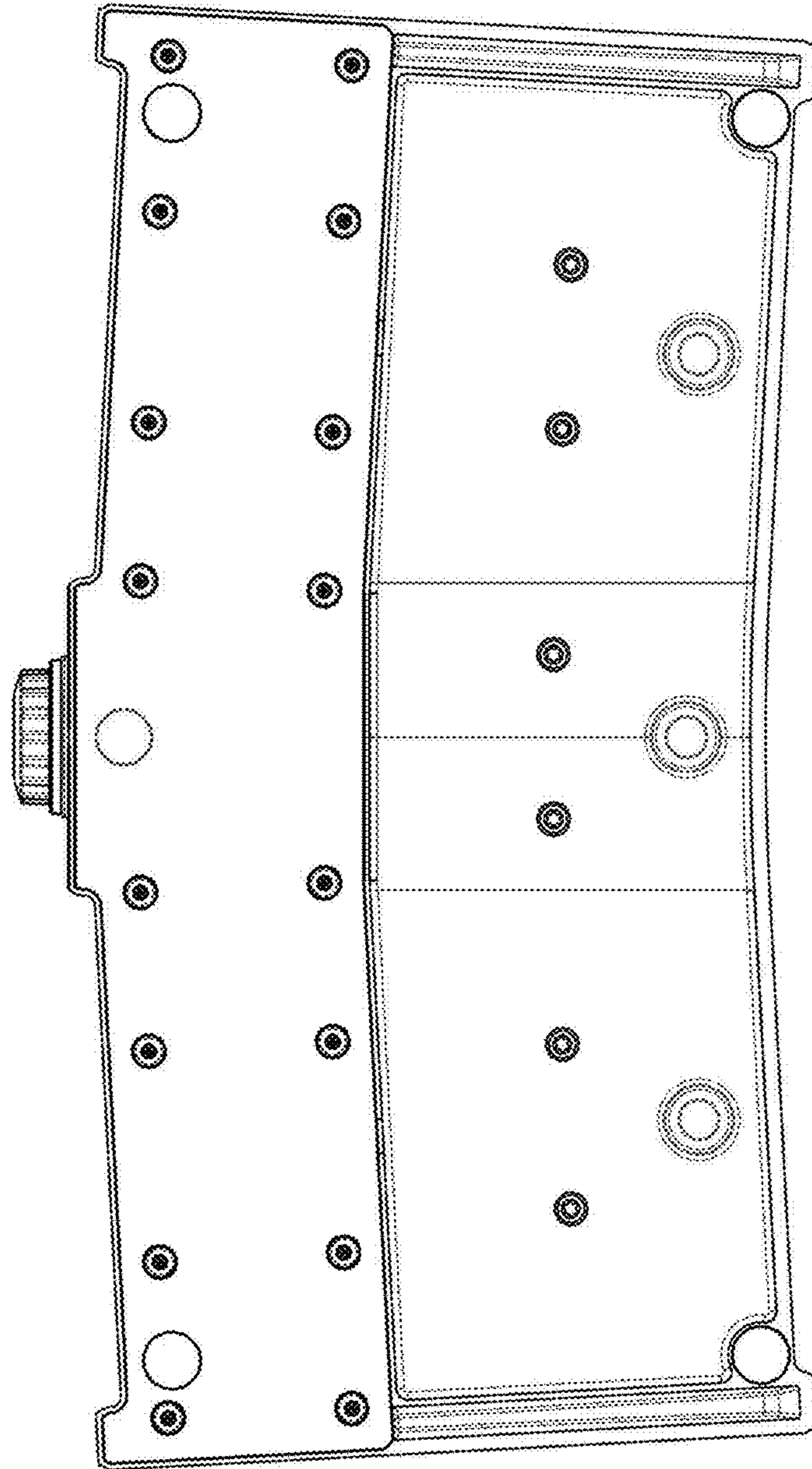


FIG. 6

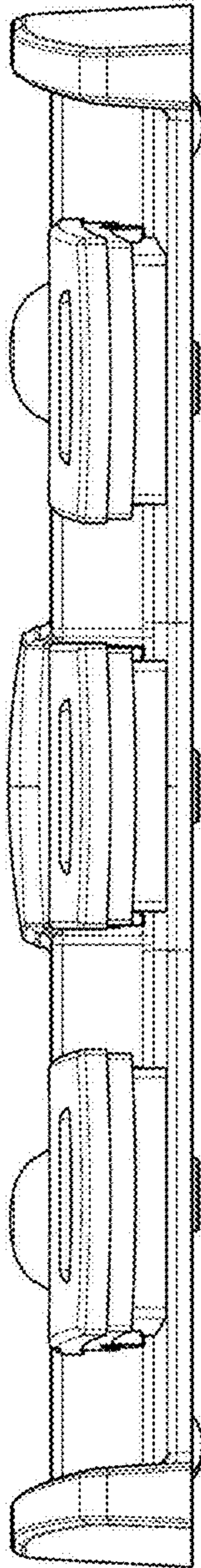


FIG. 7