



US00D863232S

(12) **United States Design Patent**
Oberlaender et al.

(10) **Patent No.:** **US D863,232 S**

(45) **Date of Patent:** **** Oct. 15, 2019**

(54) **FOOT SWITCH**

(71) Applicant: **steute Schaltgeraete GmbH & Co. KG, Loehne (DE)**

(72) Inventors: **Matthias Oberlaender**, Bad Oeynhausen (DE); **Christof Gerhardy**, Bad Oeynhausen (DE); **Ralf Twellmann**, Obernkirchen (DE)

(73) Assignee: **steute Schaltgerate GmbH & Co. KG, Loehne (DE)**

(**) Term: **15 Years**

(21) Appl. No.: **29/646,872**

(22) Filed: **May 8, 2018**

(30) **Foreign Application Priority Data**

Nov. 9, 2017 (EM) 004500163-0002

(51) **LOC (12) Cl.** **13-03**

(52) **U.S. Cl.**
USPC **D13/167**

(58) **Field of Classification Search**
USPC D13/164, 167; D15/72; D17/20, 99; D24/179
CPC .. G10H 1/0002; G10H 1/0008; G10H 1/0058; G10H 1/0556; G10H 1/32; G10H 1/34; G10H 1/344; G10H 1/46; G10H 1/348; G10H 3/146; H01H 211/26; H01H 13/14; H01H 13/16; G06F 3/0034
See application file for complete search history.

(56) **References Cited**

U.S. PATENT DOCUMENTS

D559,199 S * 1/2008 Schurg D13/167
7,428,439 B1 * 9/2008 Reynolds G06F 3/0383
318/400.18

D589,460 S * 3/2009 Yang D13/167
D623,209 S * 9/2010 Matuschek D13/167
D665,756 S * 8/2012 Tseng D13/167
D713,529 S * 9/2014 Li D13/167
D766,842 S * 9/2016 Lewis D13/167
D767,506 S * 9/2016 Lewis D13/167
D768,091 S * 10/2016 Lewis D13/167
D790,482 S * 6/2017 Lazzaro D13/167
D817,897 S * 5/2018 Lin D13/164
2007/0078539 A1 * 4/2007 Kuhner H01H 3/14
700/90
2008/0229914 A1 * 9/2008 Nathaniel G10H 1/348
84/644
2009/0205937 A1 * 8/2009 Kuehner H01H 21/26
200/86.5
2011/0011708 A1 * 1/2011 Ellafrits A61B 6/00
200/86.5
2013/0168212 A1 * 7/2013 Tseng H01H 13/16
200/86.5
2015/0216513 A1 * 8/2015 Hamel A61B 17/32002
340/12.5
2018/0373284 A1 * 12/2018 Lewis G05G 1/30

* cited by examiner

Primary Examiner — Selina Sikder

(74) *Attorney, Agent, or Firm* — Collard & Roe, P.C.

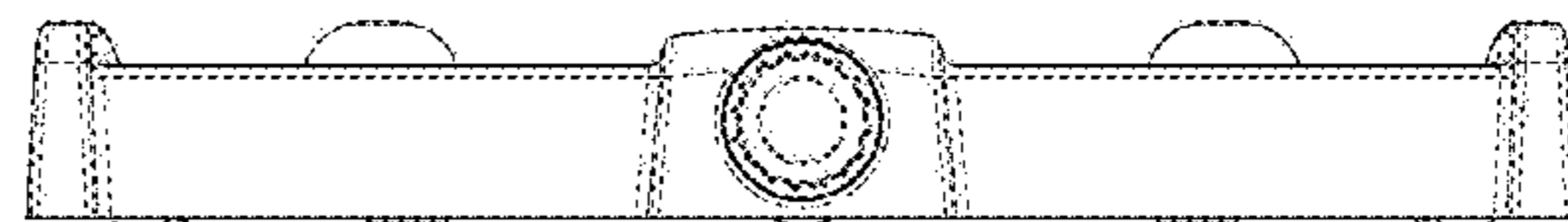
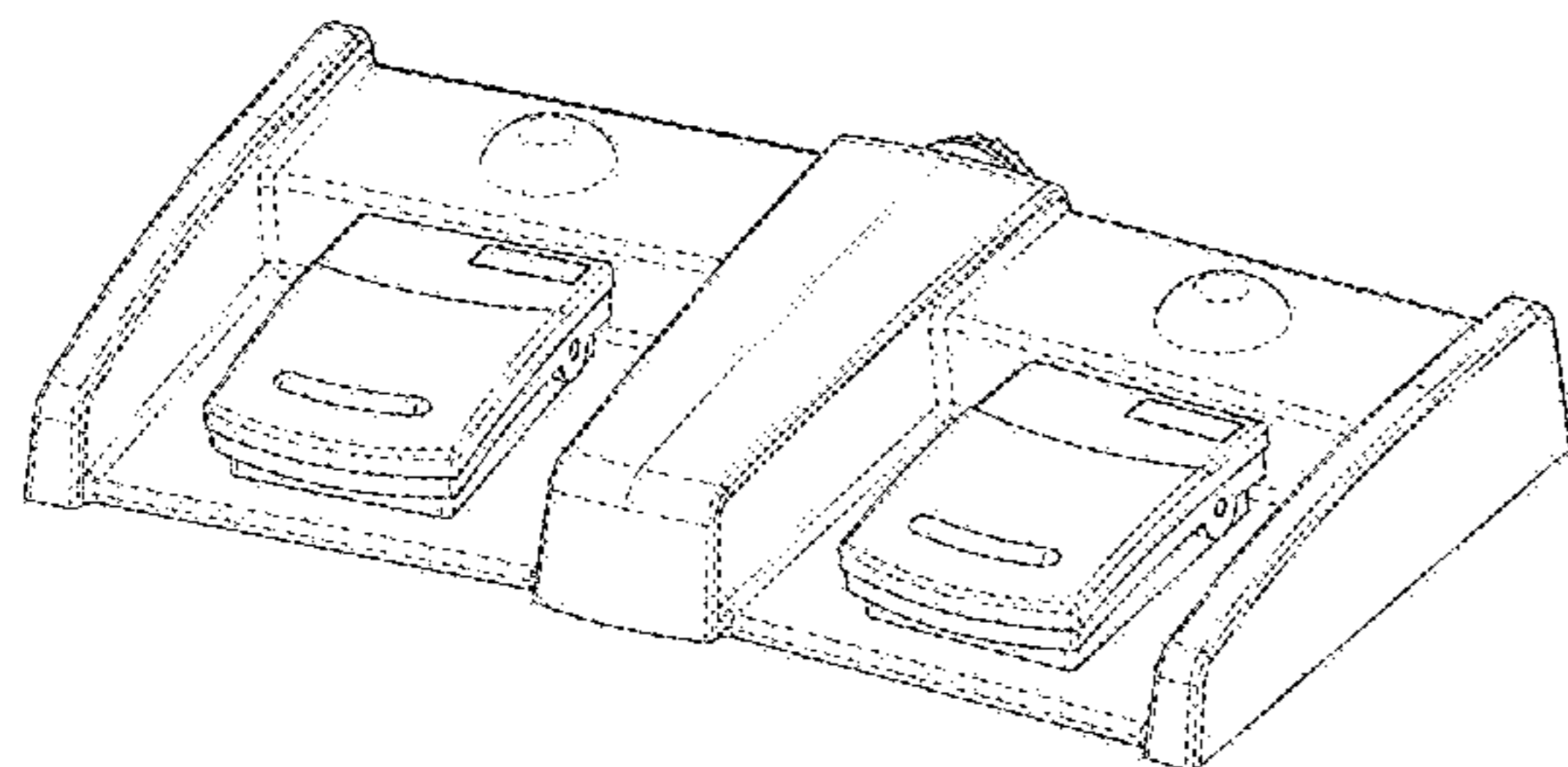
(57) **CLAIM**

The ornamental design for a foot switch, as shown and described.

DESCRIPTION

FIG. 1 is a front top and right side perspective view of a foot switch, showing our new design;
FIG. 2 is a rear view thereof;
FIG. 3 is a left view thereof;
FIG. 4 is a top view thereof;
FIG. 5 is a right side view thereof;
FIG. 6 is a bottom view thereof; and,
FIG. 7 is a front view thereof.

1 Claim, 7 Drawing Sheets



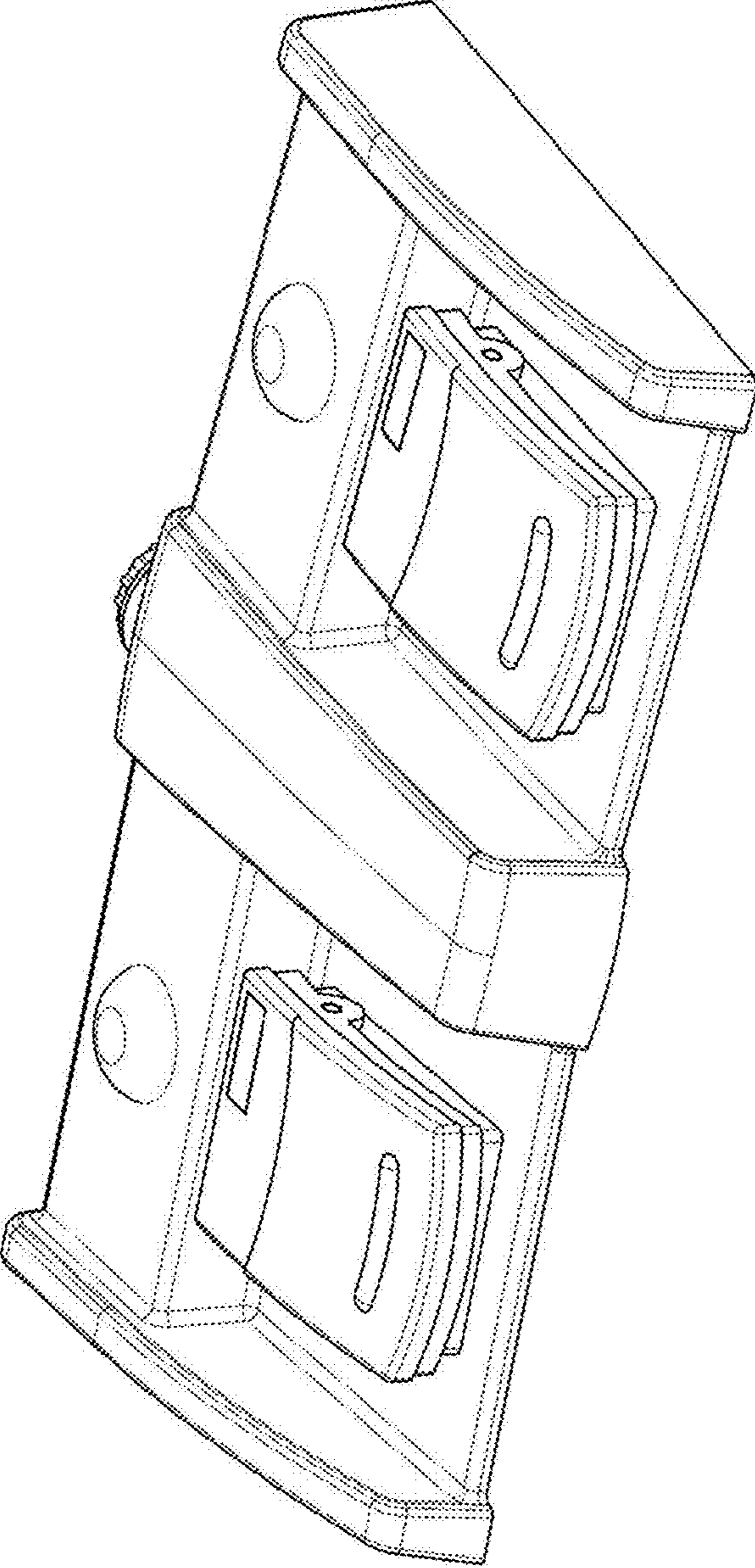


FIG. 1

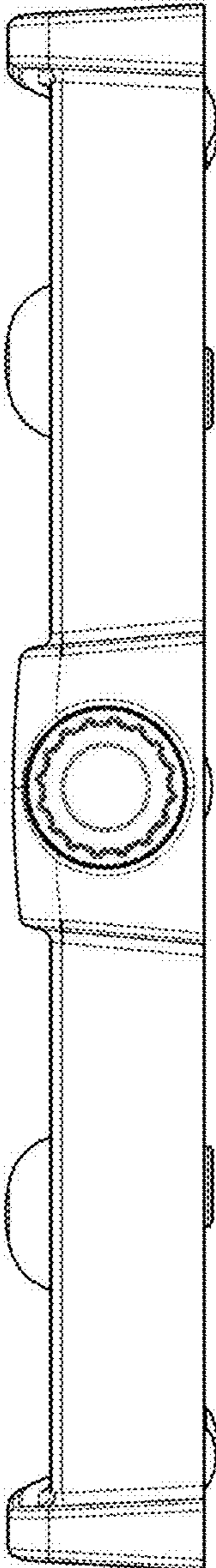


FIG. 2

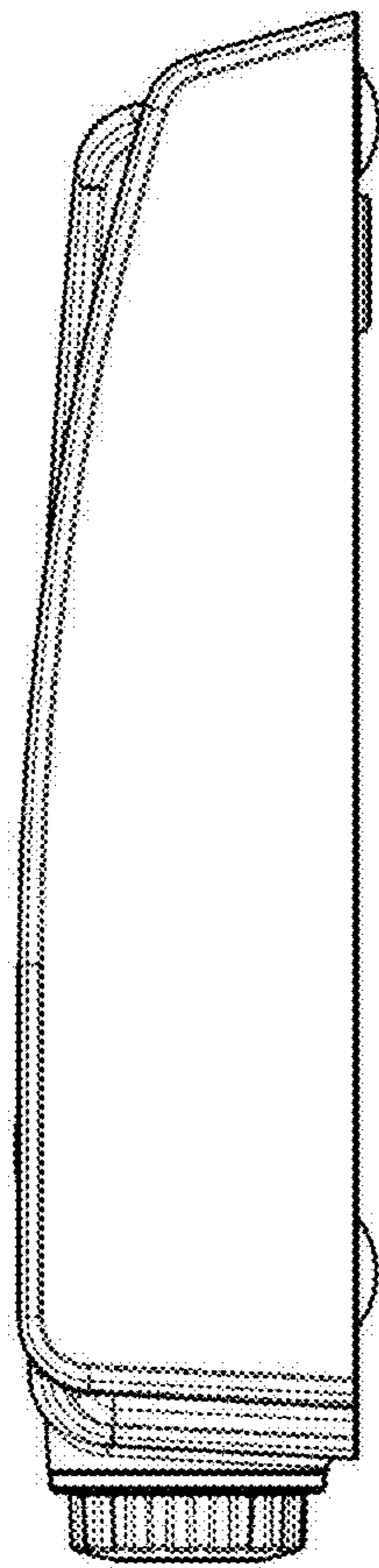


FIG. 3

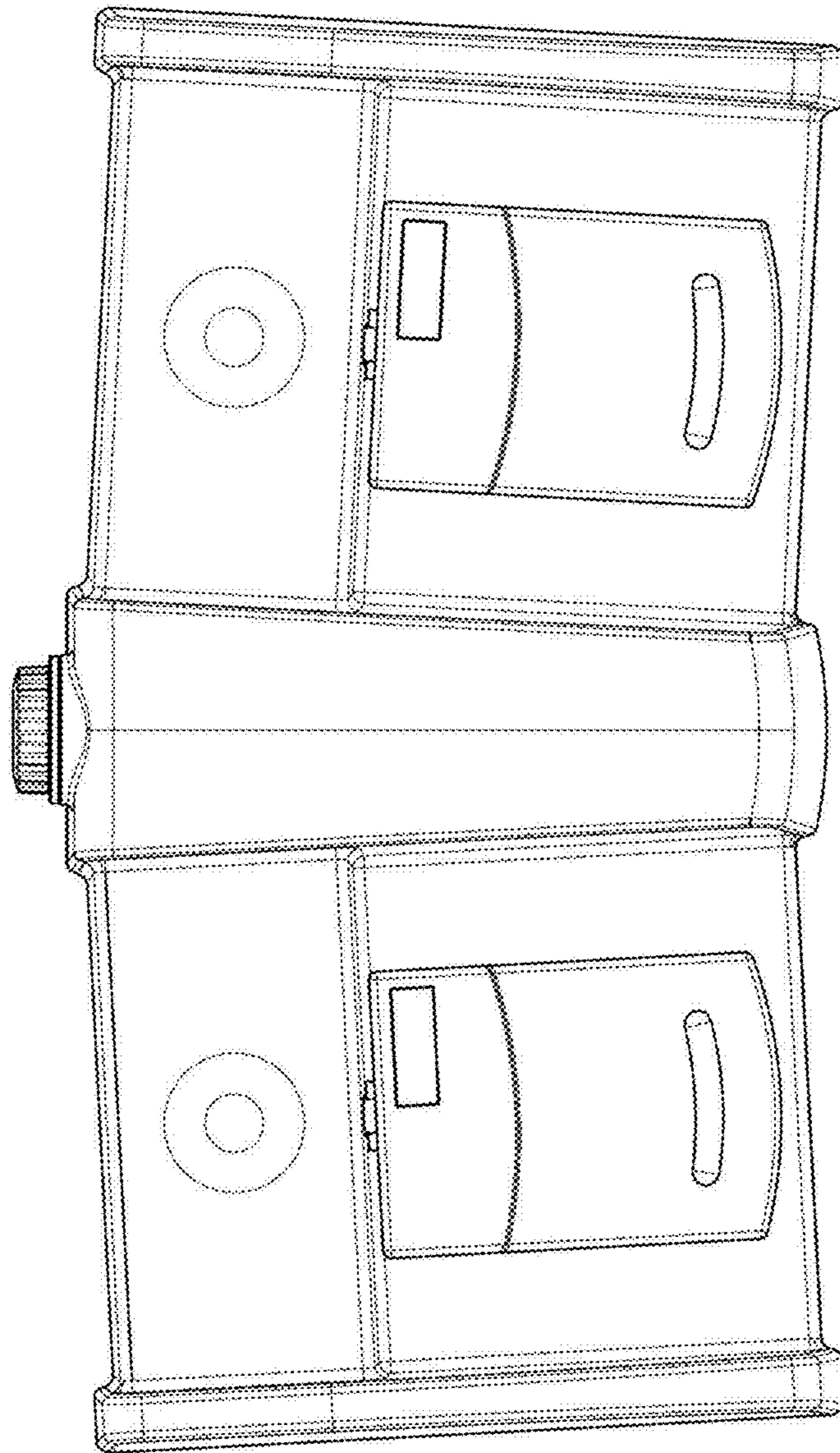


FIG. 4

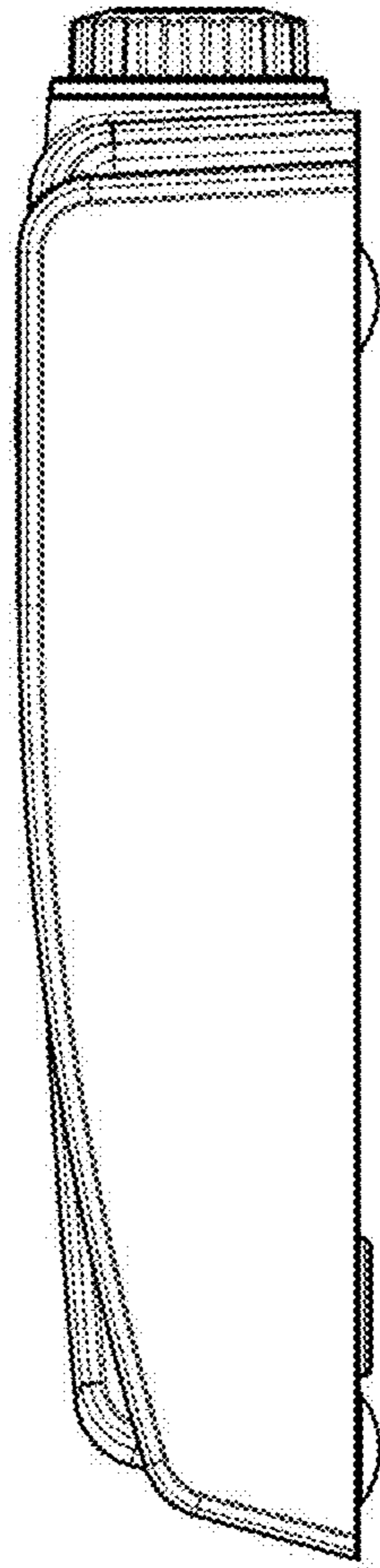


FIG. 5

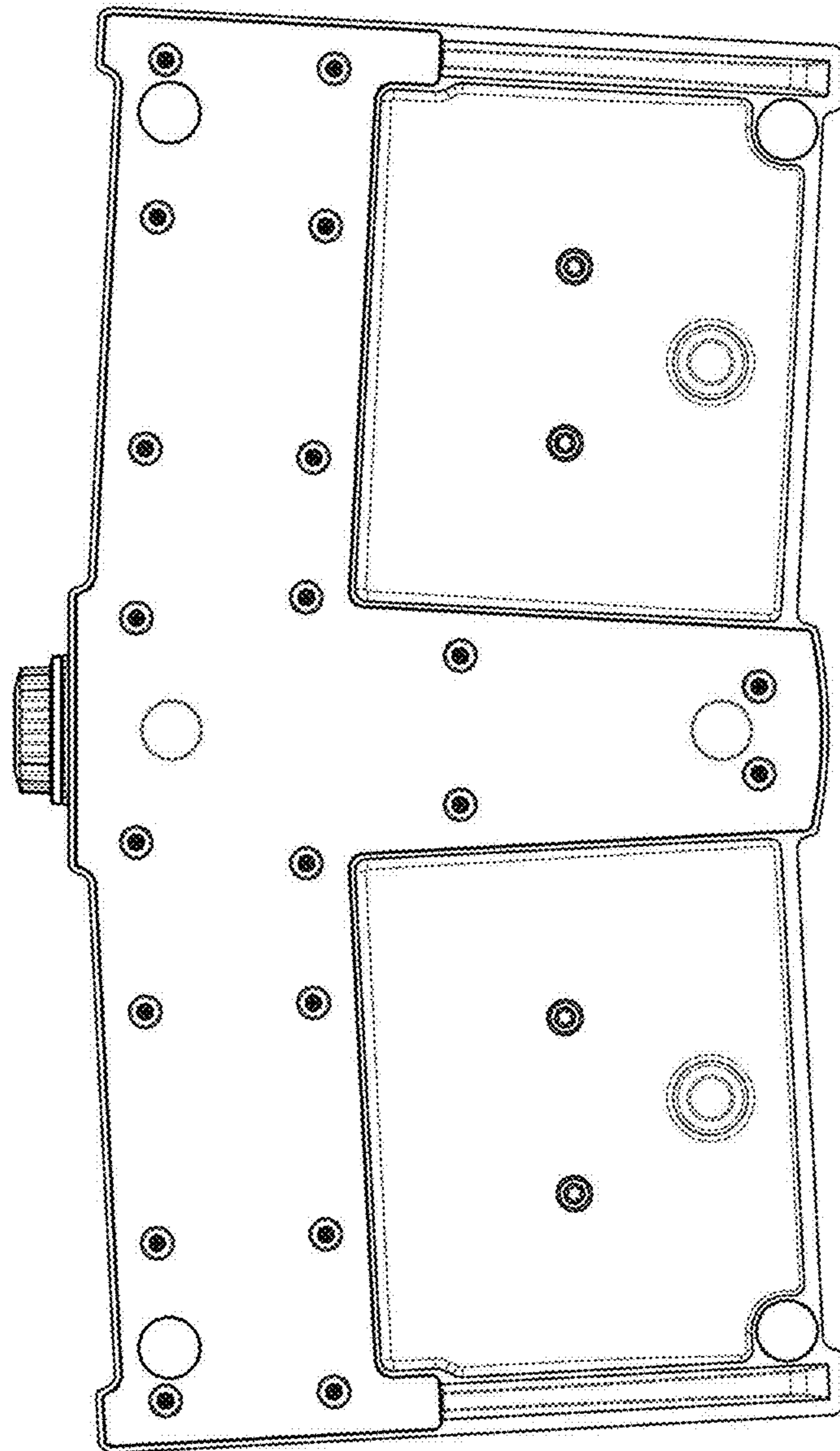


FIG. 6

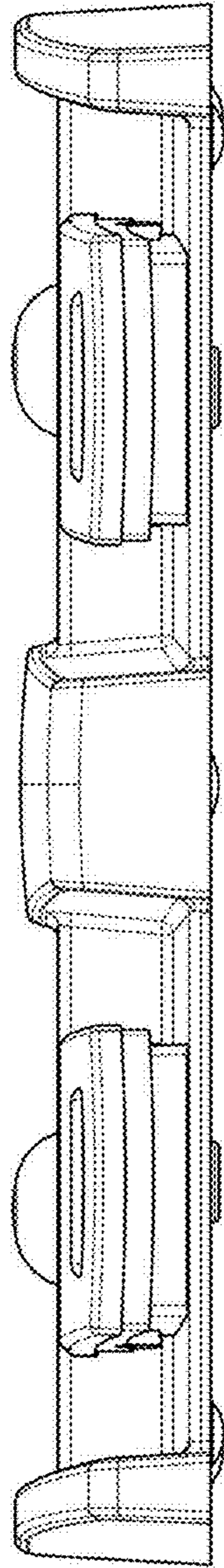


FIG. 7