



US00D863230S

(12) **United States Design Patent**  
**Jeong et al.**

(10) **Patent No.:** **US D863,230 S**  
(45) **Date of Patent:** **\*\* Oct. 15, 2019**

(54) **ROTARY SWITCH FOR AUTOMOBILE**

D691,964 S \* 10/2013 Cuche ..... D13/158  
2009/0277761 A1\* 11/2009 Huang ..... H01H 19/06  
200/1 R  
2011/0259718 A1\* 10/2011 Weber ..... H01H 19/64  
200/293

(71) Applicant: **IL HEUNG Co., LTD.**, Gyeonggi-do (KR)

(72) Inventors: **Young Mun Jeong**, Seoul (KR); **Se Hwan Jin**, Gyeonggi-do (KR)

\* cited by examiner

(73) Assignee: **IL HEUNG Co., LTD.**, Gyeonggi-do (KR)

*Primary Examiner* — Selina Sikder

(74) *Attorney, Agent, or Firm* — IP & T Group LLP

(\*\*) Term: **15 Years**

(21) Appl. No.: **29/614,740**

(57) **CLAIM**

(22) Filed: **Aug. 22, 2017**

The ornamental design for a rotary switch for automobile, as shown and described.

(30) **Foreign Application Priority Data**

Jul. 12, 2017 (KR) ..... 30-2017-0032175

(51) **LOC (12) Cl.** ..... **13-03**

(52) **U.S. Cl.**  
USPC ..... **D13/158**

(58) **Field of Classification Search**  
USPC ..... D13/158, 160, 199  
CPC ..... H01H 19/00; H01H 19/02; H01H 19/06;  
H01H 71/56; H01H 71/58; B60Q 1/441  
See application file for complete search history.

**DESCRIPTION**

FIG. 1 is a perspective view of a rotary switch for automobile showing the new design;  
FIG. 2 is a front view thereof;  
FIG. 3 is a rear view thereof;  
FIG. 4 is a left side view thereof;  
FIG. 5 is a right side view thereof;  
FIG. 6 is a top view thereof; and,  
FIG. 7 is a bottom view thereof.  
In the drawings, the broken lines depict a portion of the switch, which form no part of the claims.

(56) **References Cited**

**U.S. PATENT DOCUMENTS**

4,649,358 A \* 3/1987 Naimer ..... H01H 83/12  
335/116  
6,049,265 A \* 4/2000 Hahnel ..... H01H 19/20  
335/185

**1 Claim, 4 Drawing Sheets**

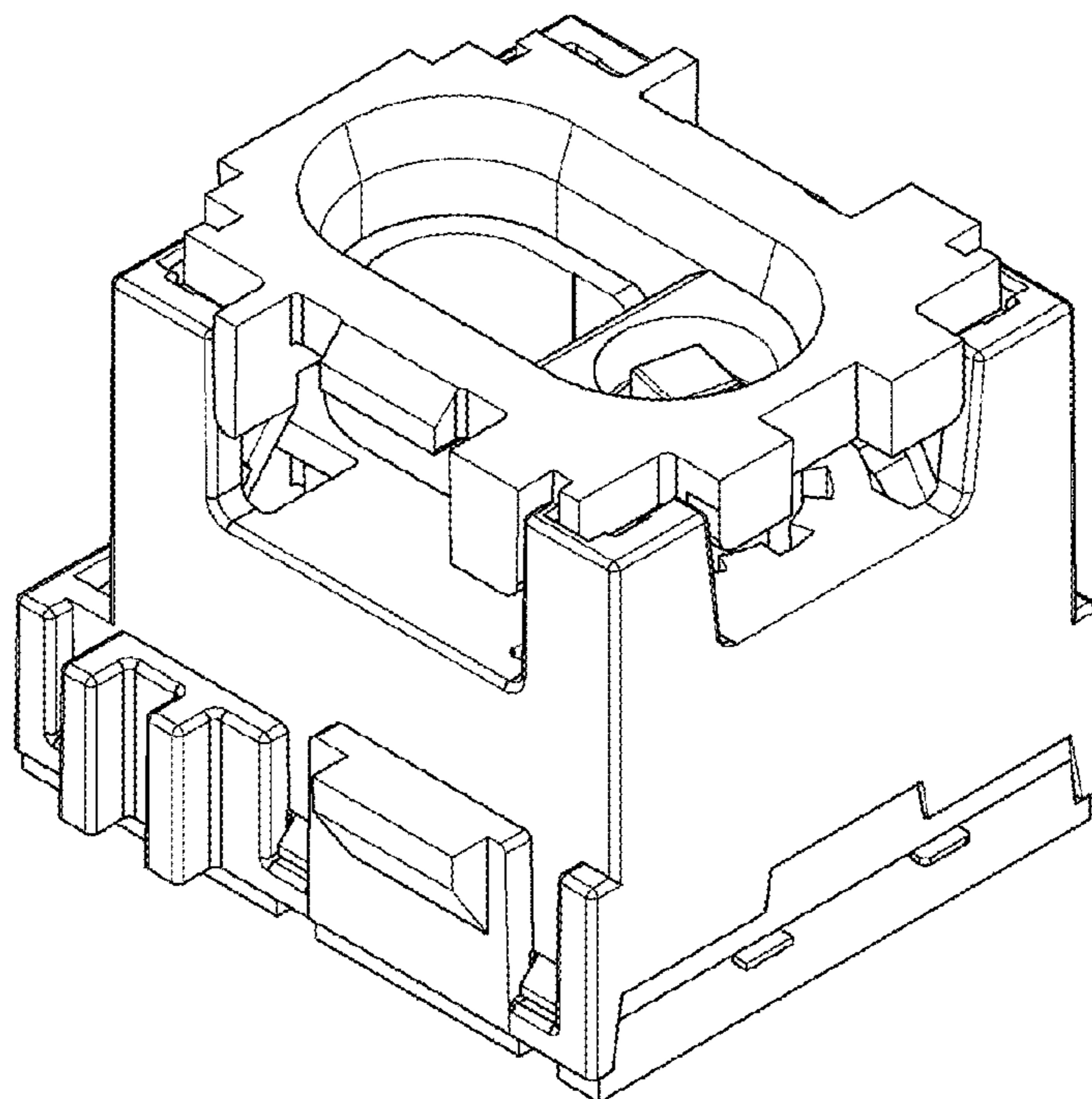


FIG. 1

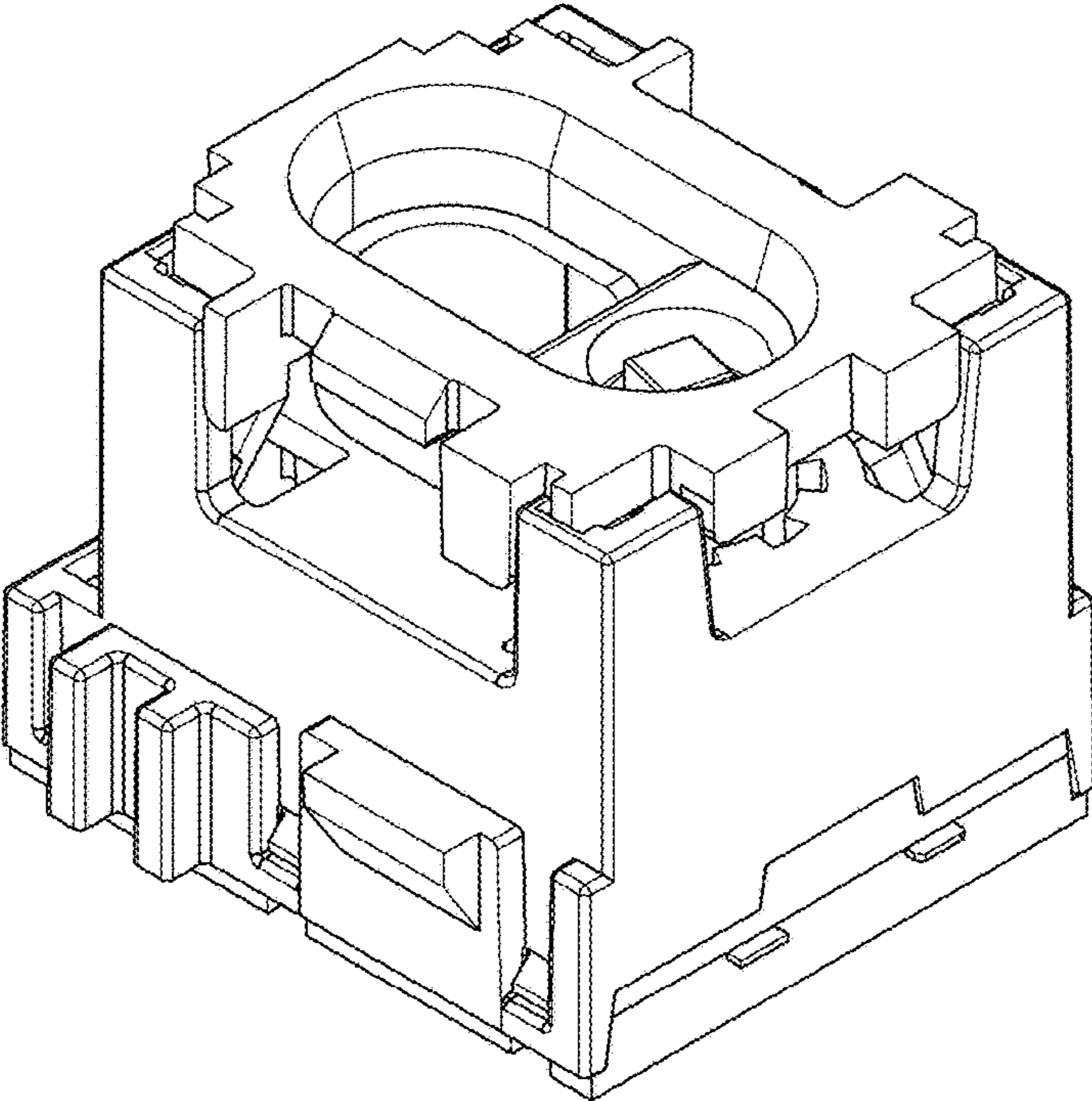


FIG. 2

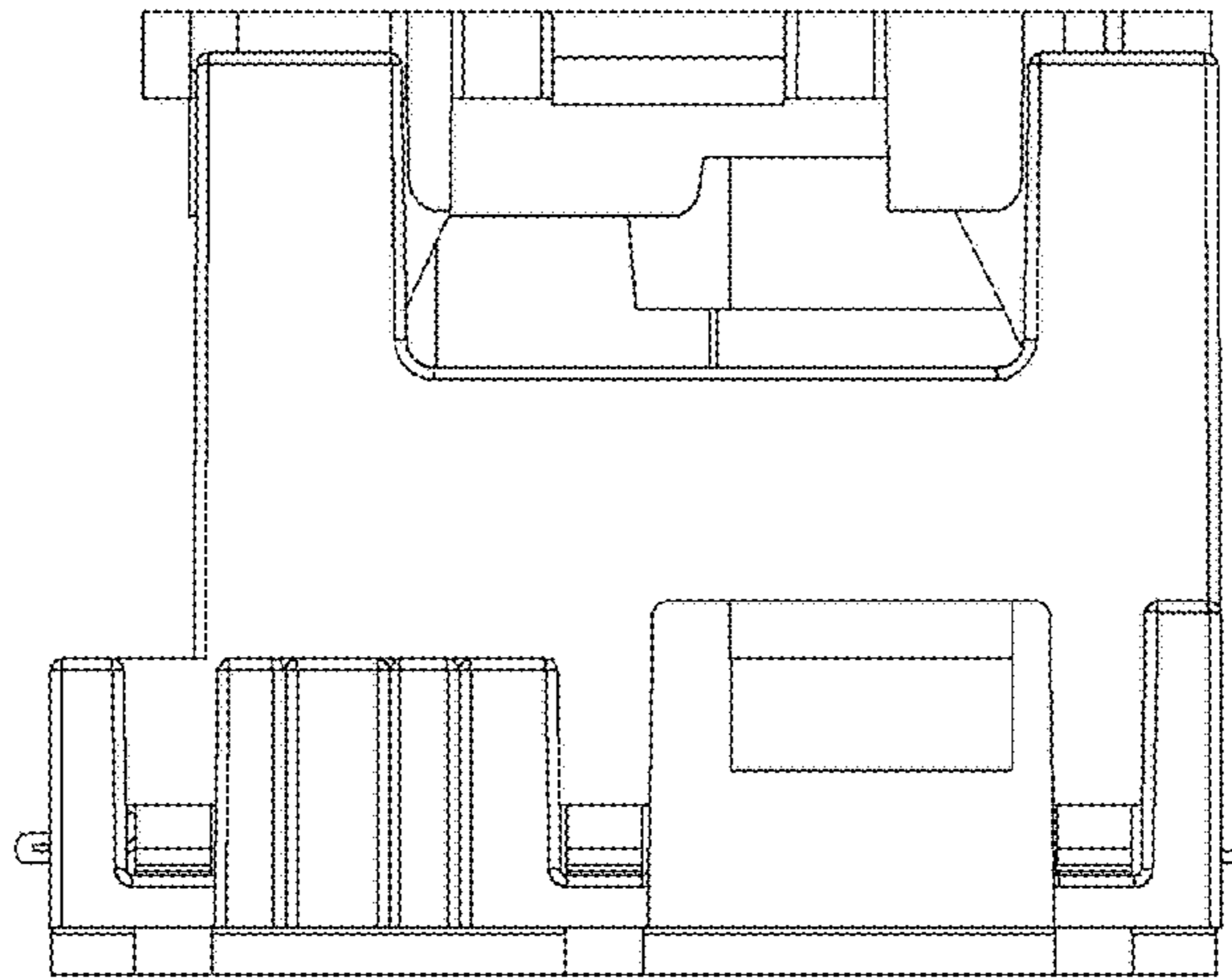


FIG. 3

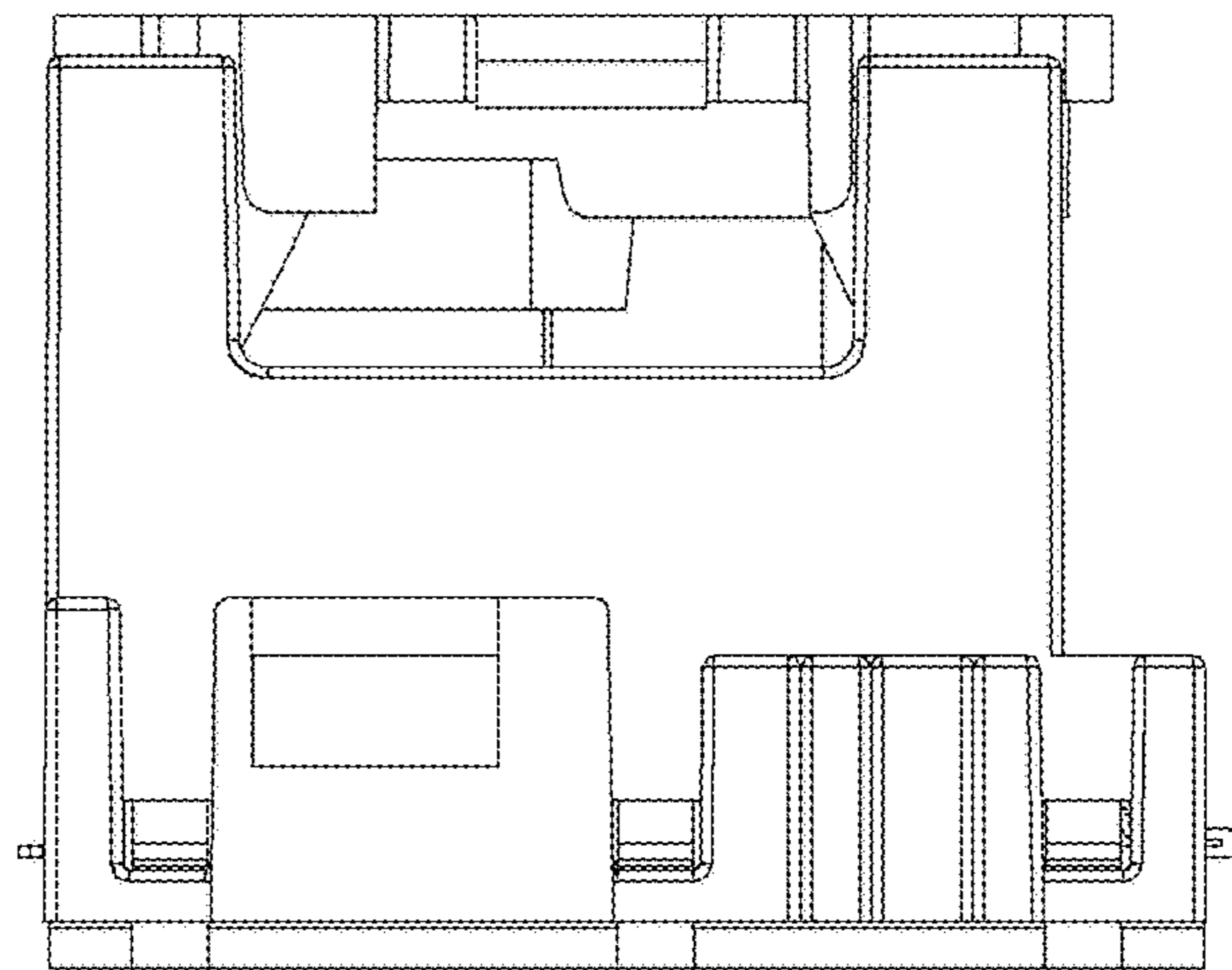


FIG. 4

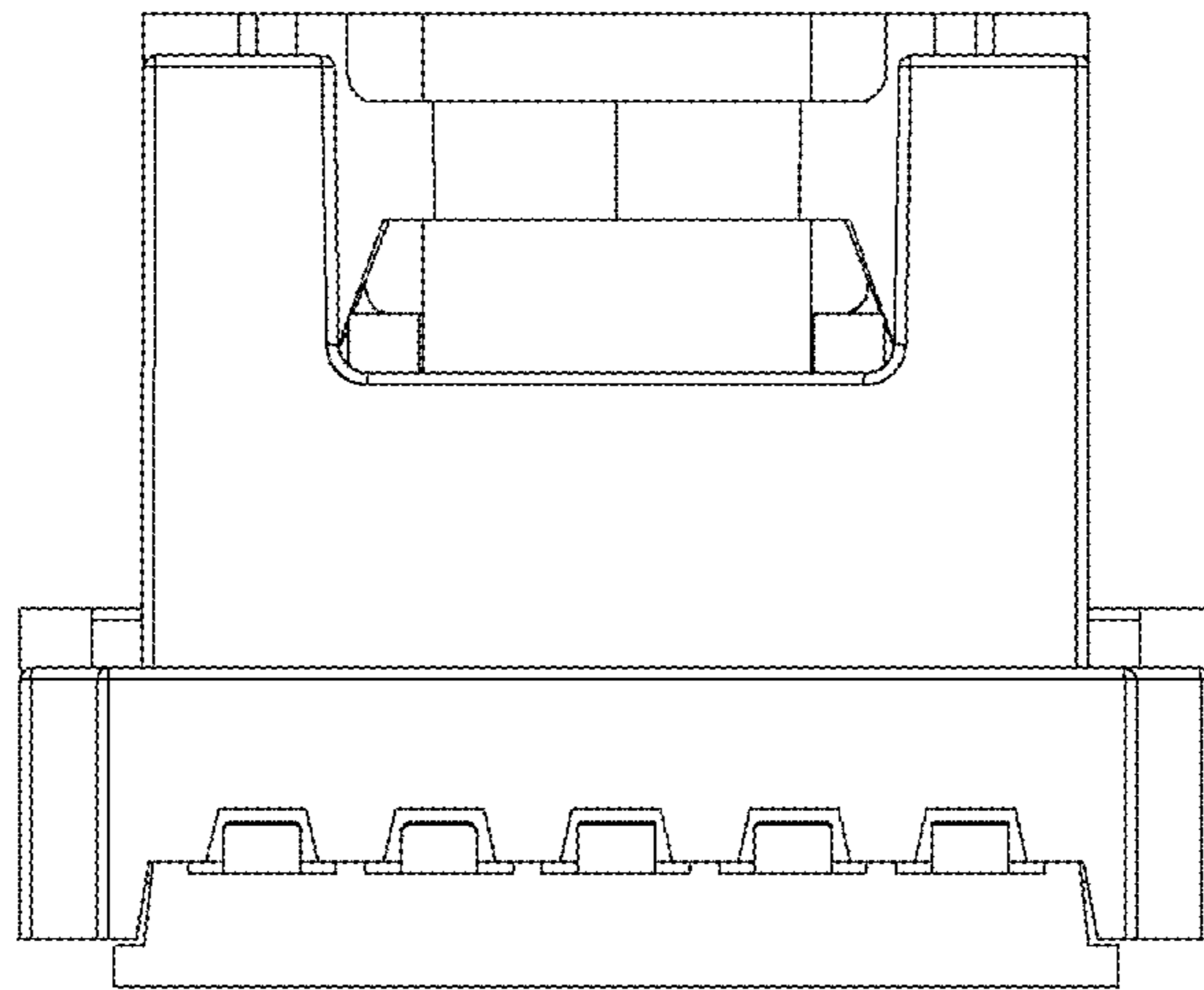


FIG. 5

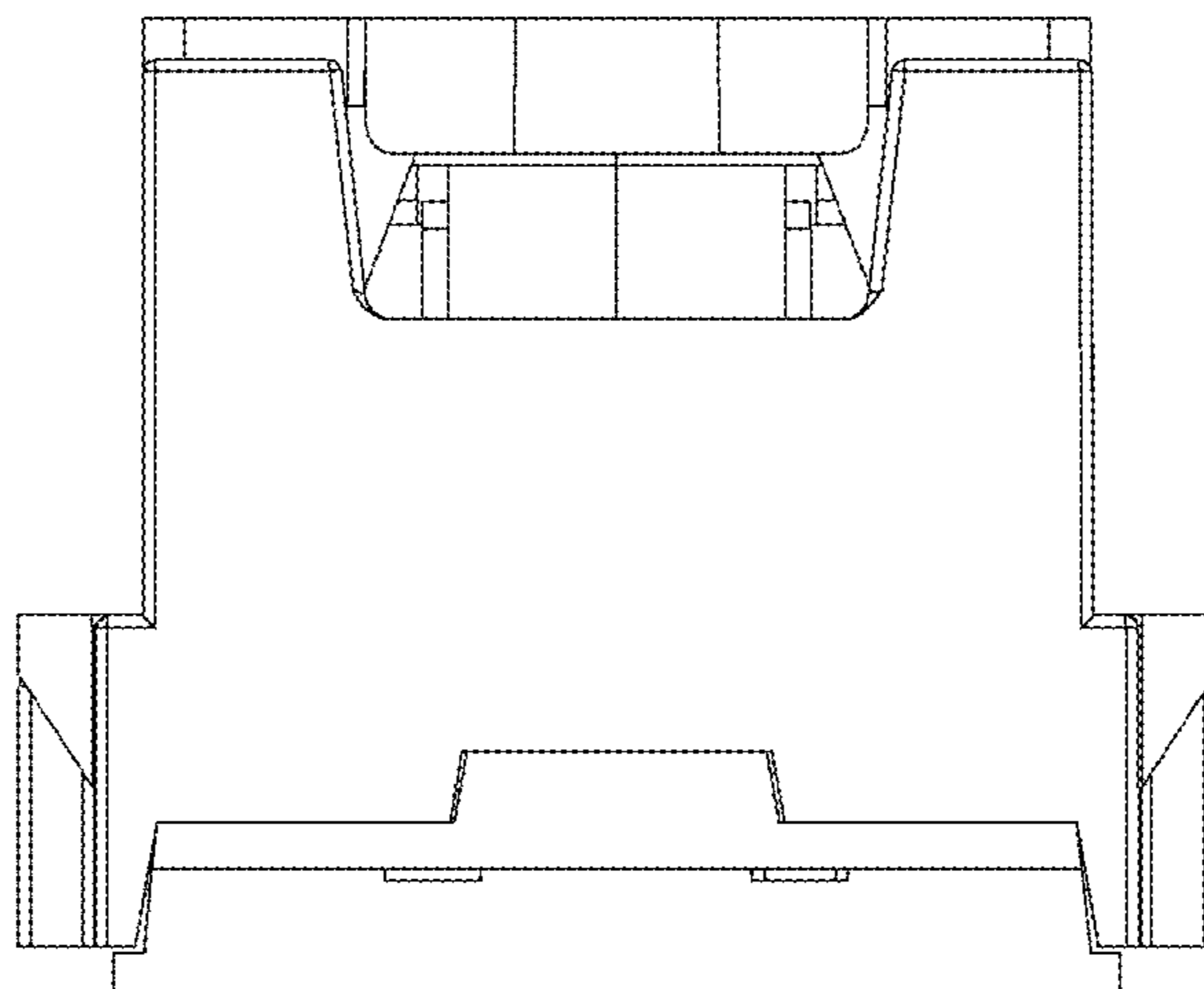


FIG. 6

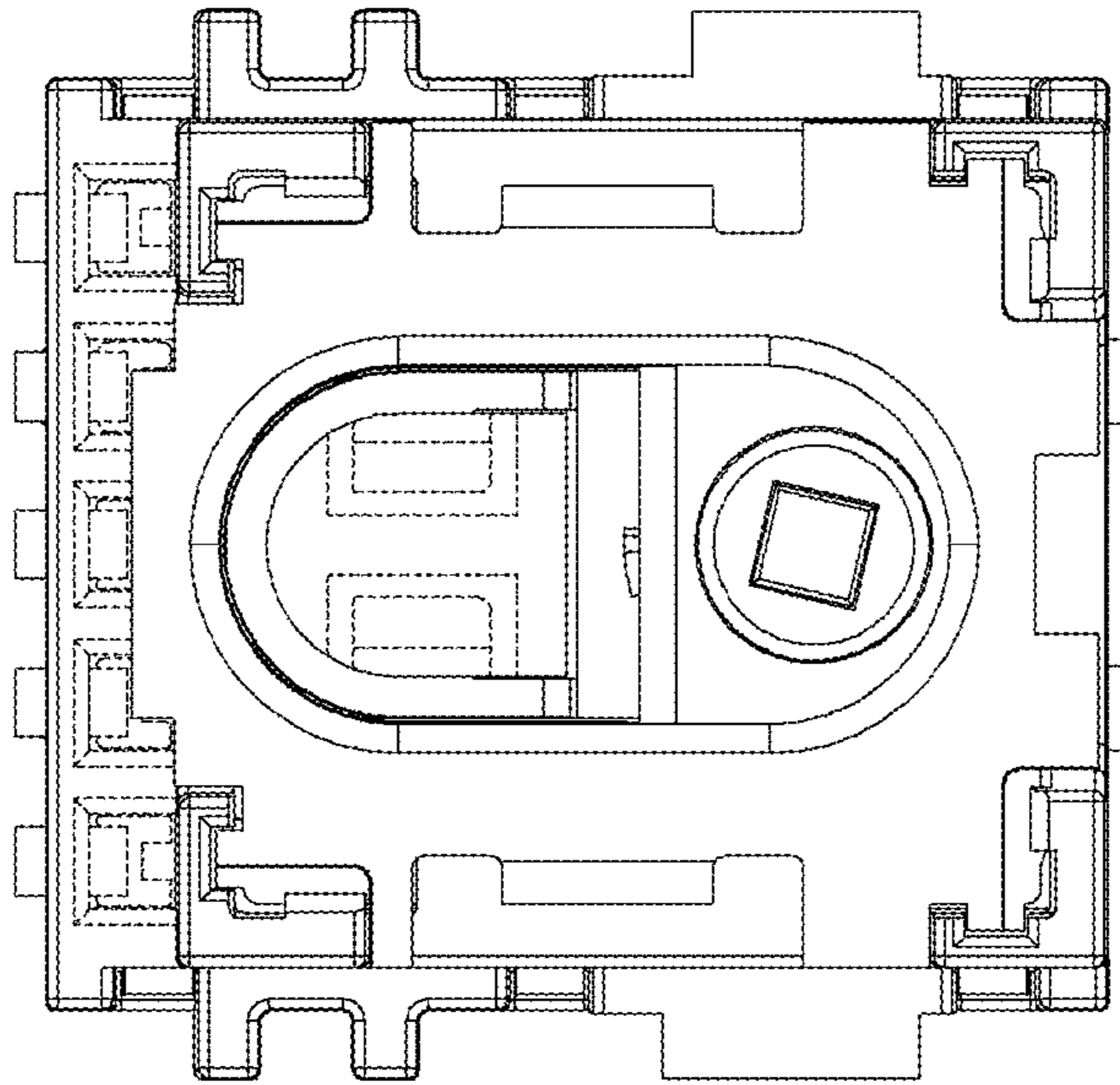


FIG. 7

