

US00D863228S

(12) **United States Design Patent** (10) **Patent No.:** **US D863,228 S**
Qi (45) **Date of Patent:** **** Oct. 15, 2019**

(54) **LAPTOP ADAPTER ORGANIZER**
(71) Applicant: **Shenzhen Nanmu Electronic Commerce Co., Ltd., Shenzhen (CN)**
(72) Inventor: **Wei-Nan Qi, Shenzhen (CN)**
(73) Assignee: **Shenzhen Nanmu Electronic Commerce Co., Ltd., Shenzhen (CN)**

D704,536 S * 5/2014 Porta D8/356
D706,225 S * 6/2014 deLoache, III D13/155
D740,111 S * 10/2015 Espinoza D8/395
D815,604 S * 4/2018 Smith D13/155
D828,308 S * 9/2018 Smith D13/155
2013/0075522 A1* 3/2013 Penumatcha B65H 75/14
242/614
2017/0256931 A1* 9/2017 Smith H02G 3/0481

(**) Term: **15 Years**
(21) Appl. No.: **29/646,336**
(22) Filed: **May 3, 2018**
(51) **LOC (12) Cl.** **13-03**
(52) **U.S. Cl.**
USPC **D13/155**
(58) **Field of Classification Search**
USPC D13/133, 146, 147, 151, 153, 154, 155,
D13/156; D3/208; D8/349, 382, 394,
D8/396
CPC B65H 75/36; H01R 13/5845; H01R 13/72;
H01R 31/06; H01R 11/00; H04M 1/15;
F16G 11/14; D06F 55/00; H02M
2001/0009; F02C 7/28; H02G 15/113
See application file for complete search history.

OTHER PUBLICATIONS

The Side Winder, Fuse, project launched on Sep. 19, 2017 on kickstarter.com, retrieved on Feb. 7, 2019, retrieved from the Internet URL: <https://www.kickstarter.com/projects/341336269/the-side-winder-wind-your-macbook-charger-with-eas/updates>.*

* cited by examiner

Primary Examiner — Jennifer Rivard
Assistant Examiner — Alison M Ofstun
(74) *Attorney, Agent, or Firm* — ScienBiziP, P.C.

(57) **CLAIM**

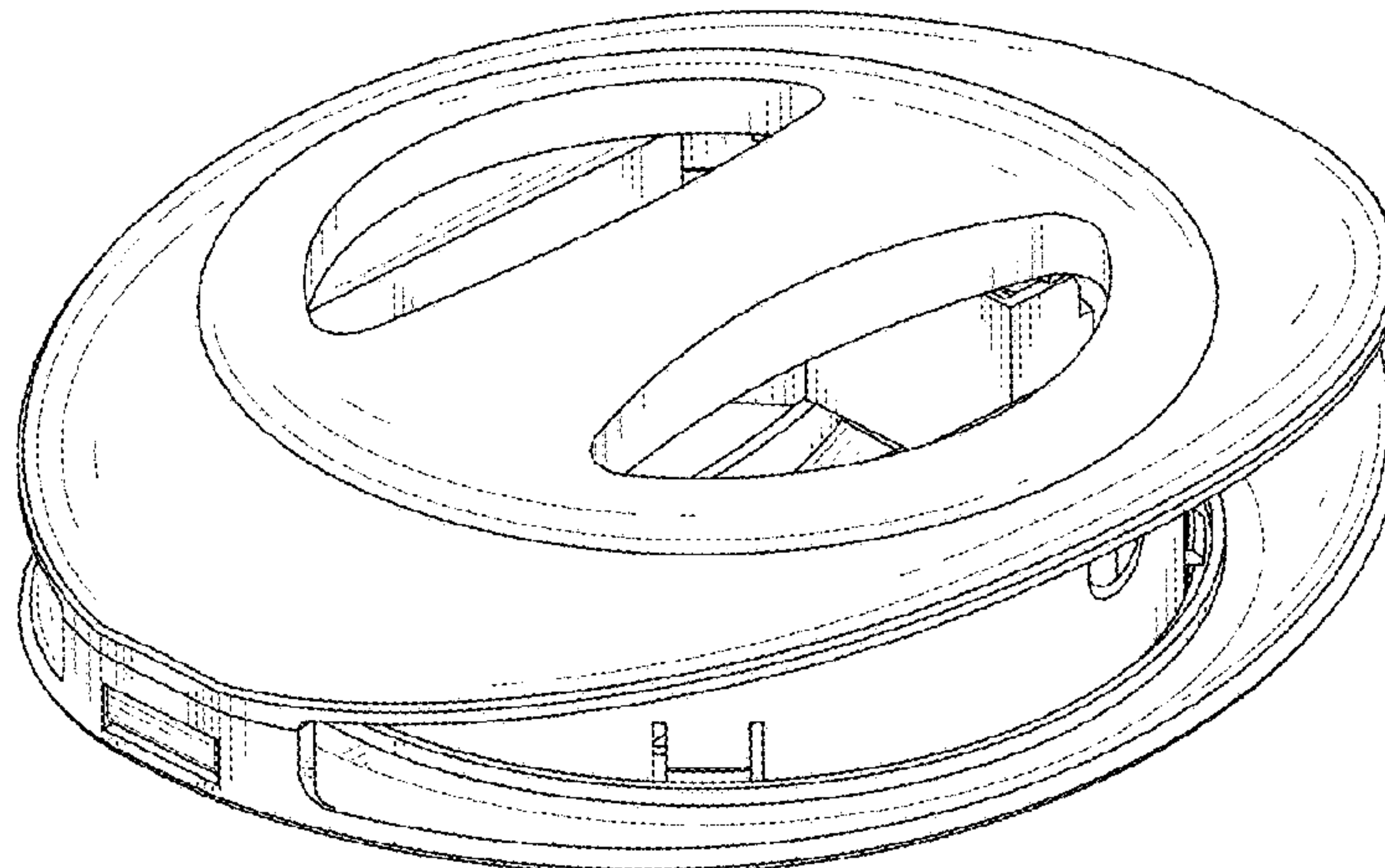
The ornamental design for a laptop adapter organizer, as shown and described.

DESCRIPTION

FIG. 1 is a first perspective view of a laptop adapter organizer, showing my new design;
FIG. 2 is a second perspective view thereof;
FIG. 3 is a front elevation view thereof;
FIG. 4 is a rear elevation view thereof;
FIG. 5 is a left side elevation view thereof;
FIG. 6 is a right side elevation view thereof;
FIG. 7 is a top plan view thereof;
FIG. 8 is a bottom plan view thereof; and,
FIG. 9 is a perspective view thereof, shown in a position of use.

(56) **References Cited**
U.S. PATENT DOCUMENTS
D450,570 S * 11/2001 Murata D8/394
D452,139 S * 12/2001 Murata D8/394
D465,988 S * 11/2002 Green D8/349
D477,776 S * 7/2003 Pontaoe D8/396
6,736,669 B1 * 5/2004 Martin H02G 3/32
439/527
D616,032 S * 5/2010 Maraia D20/28
D621,693 S * 8/2010 Dong D8/356

1 Claim, 9 Drawing Sheets



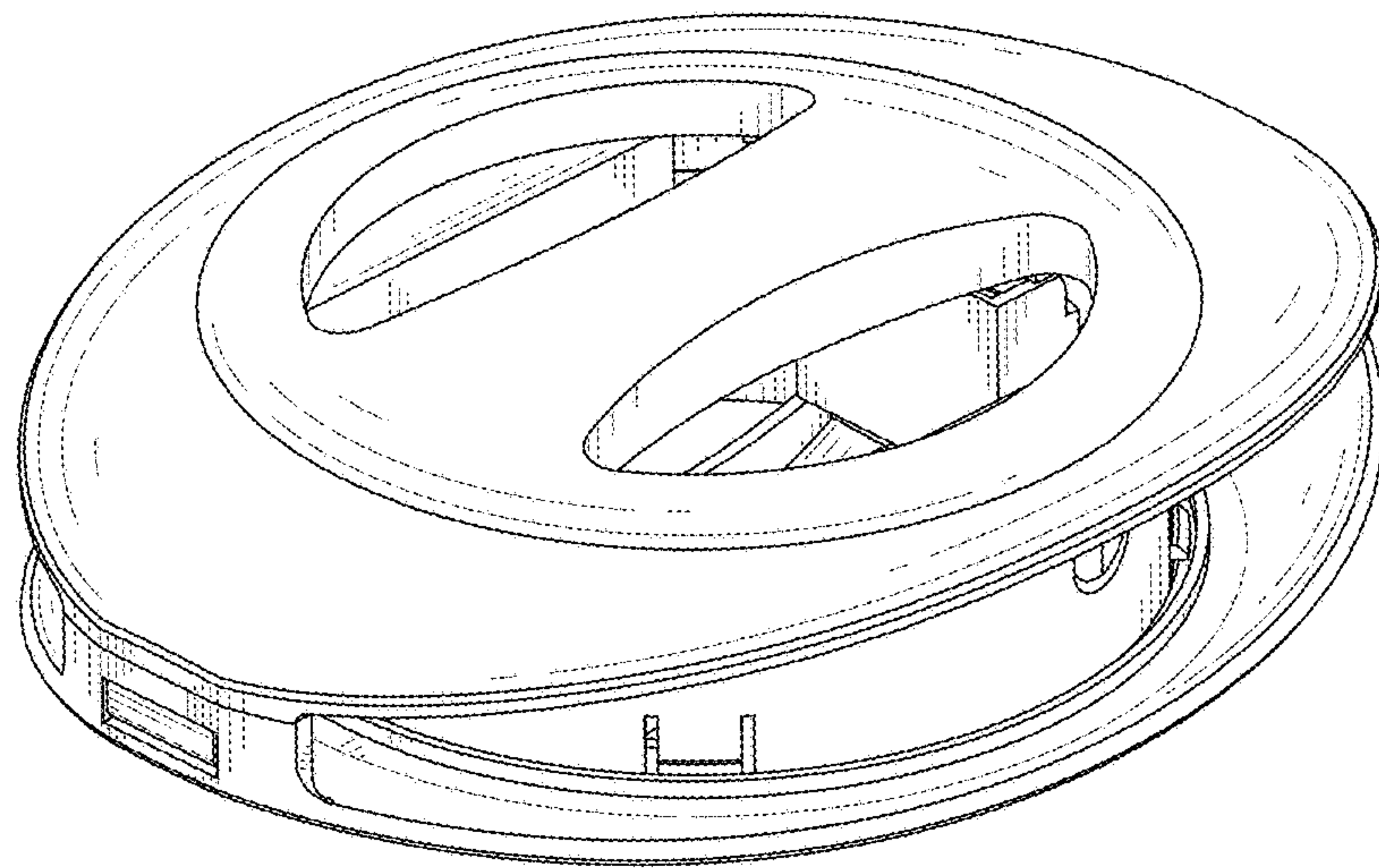


FIG. 1

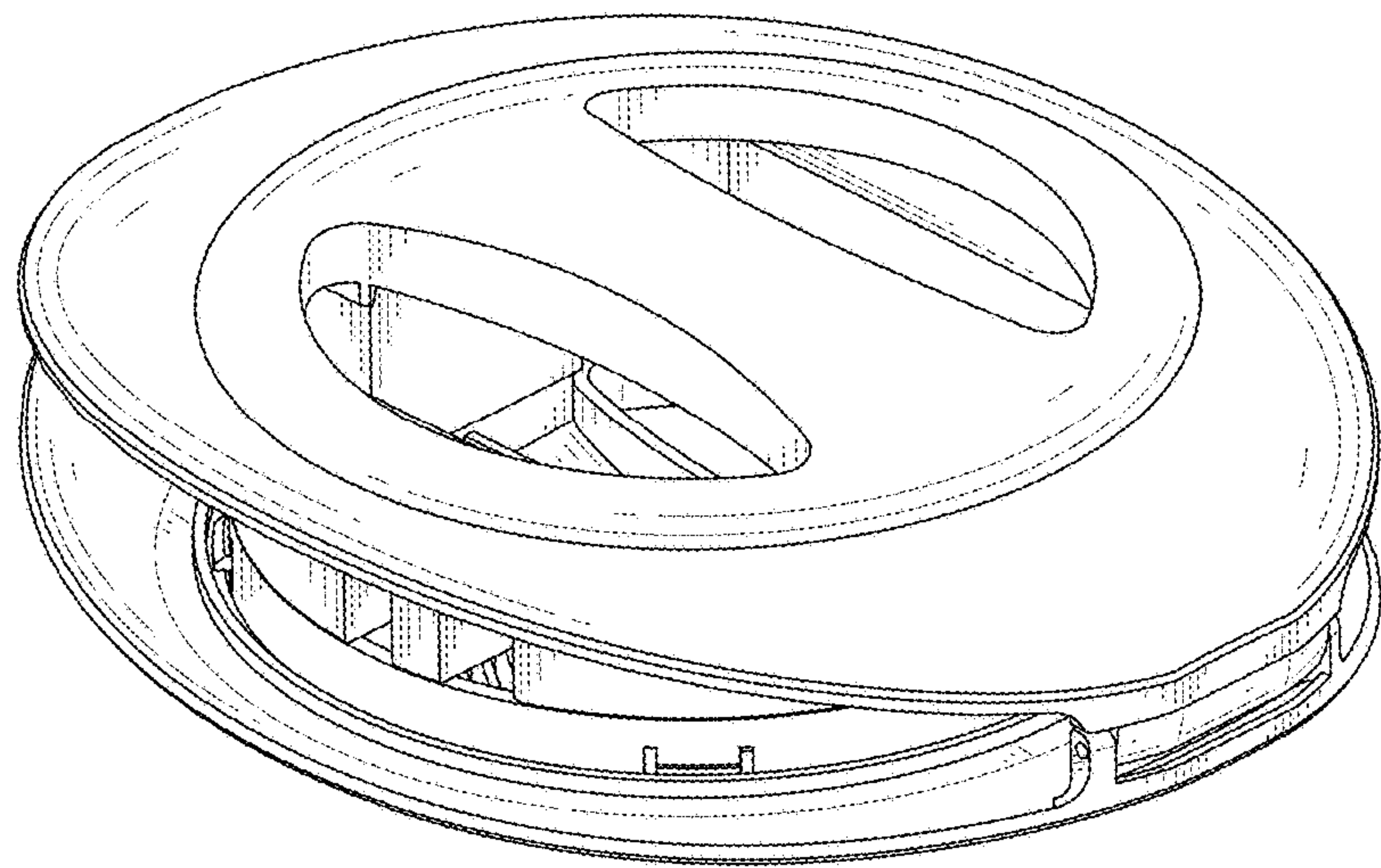


FIG. 2

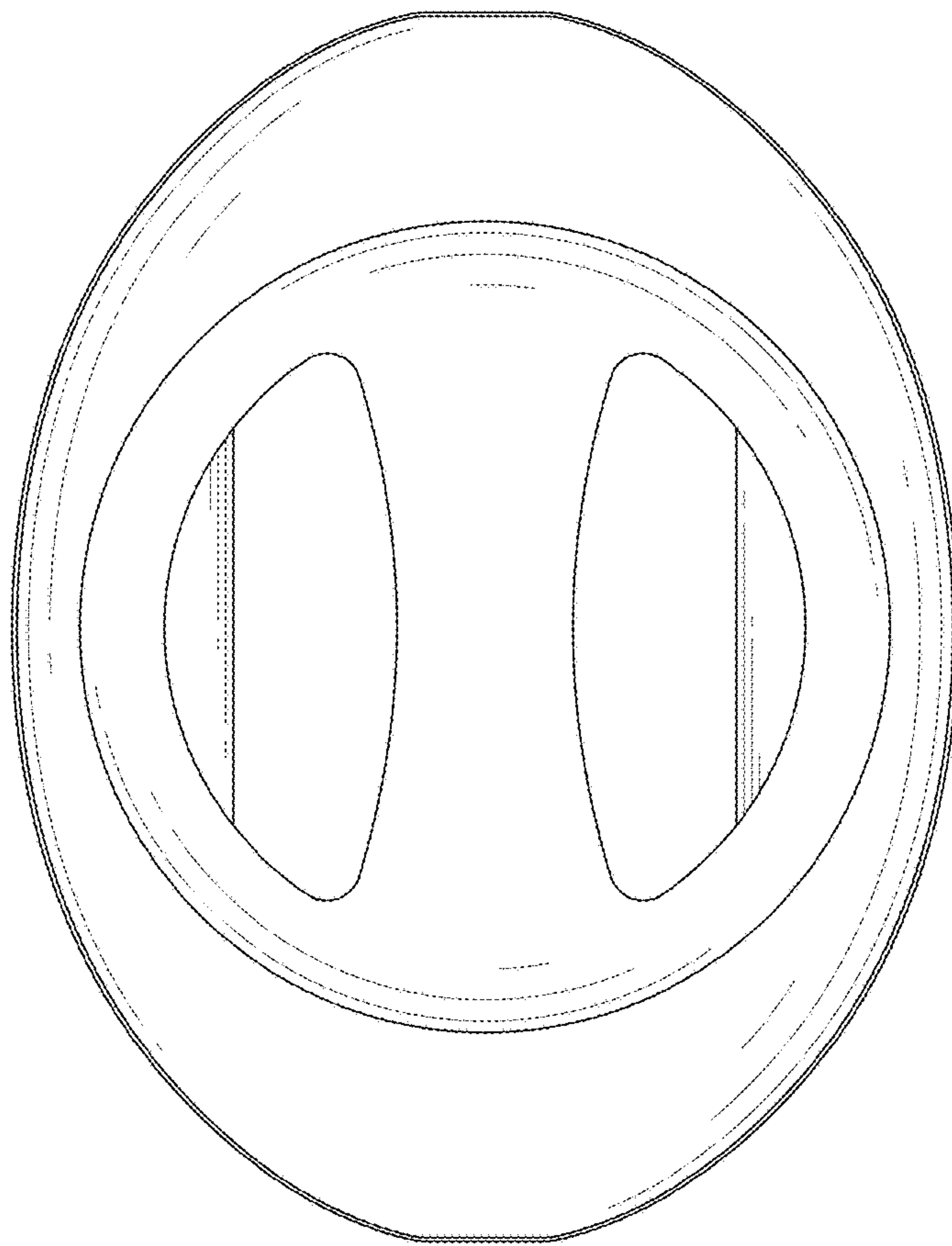


FIG. 3

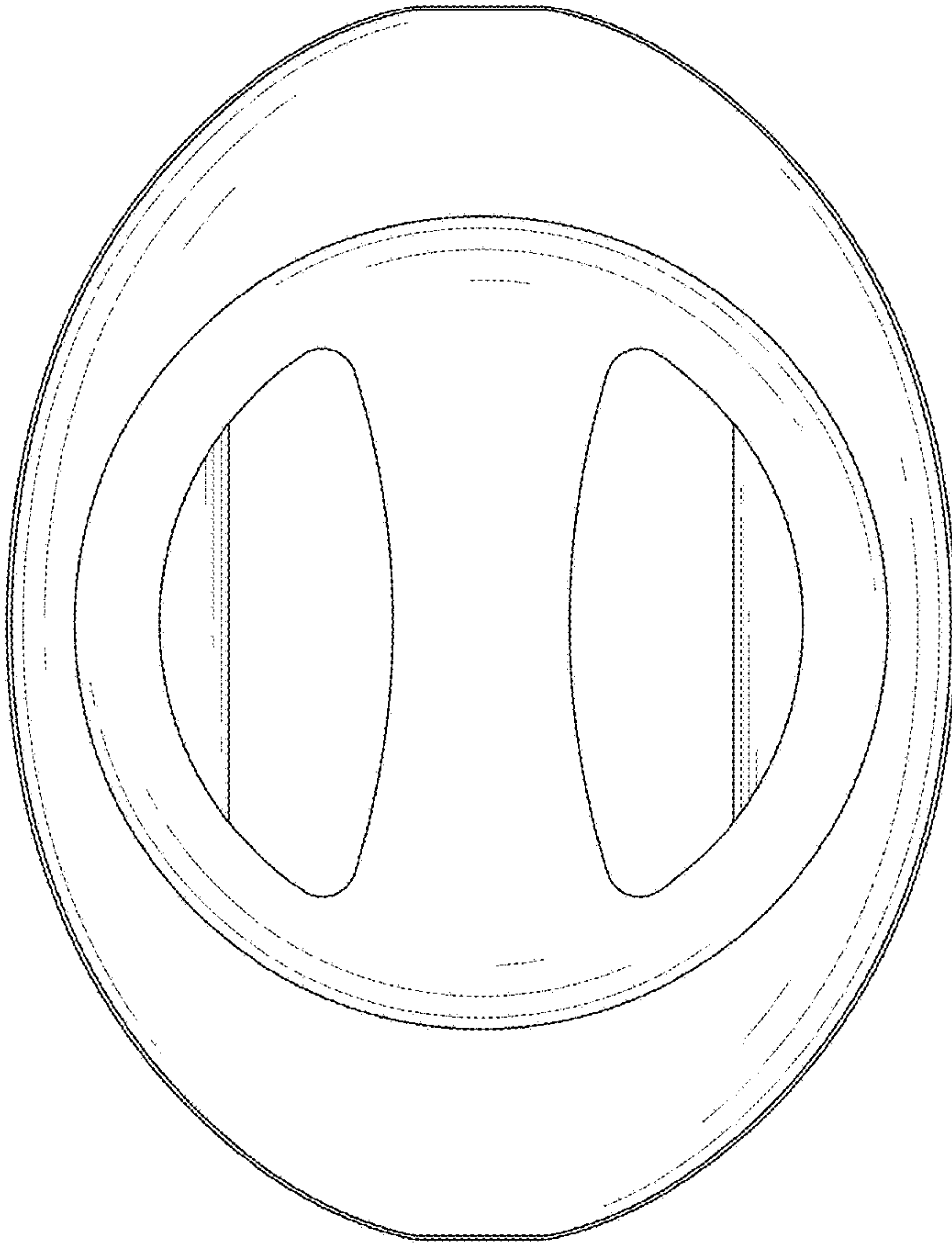


FIG. 4

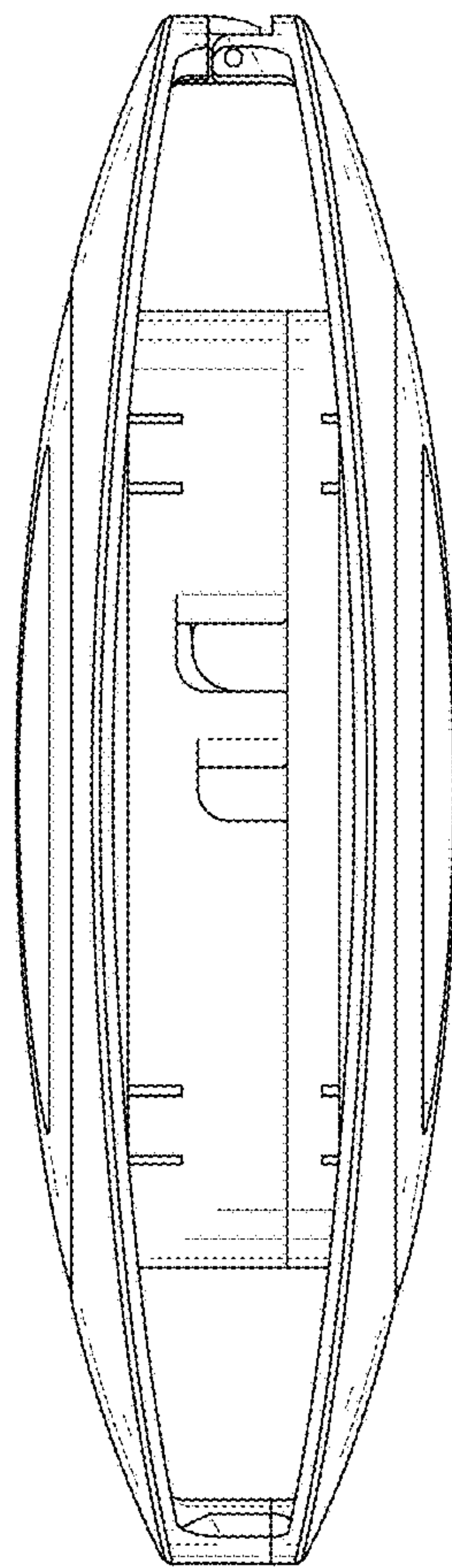


FIG. 5

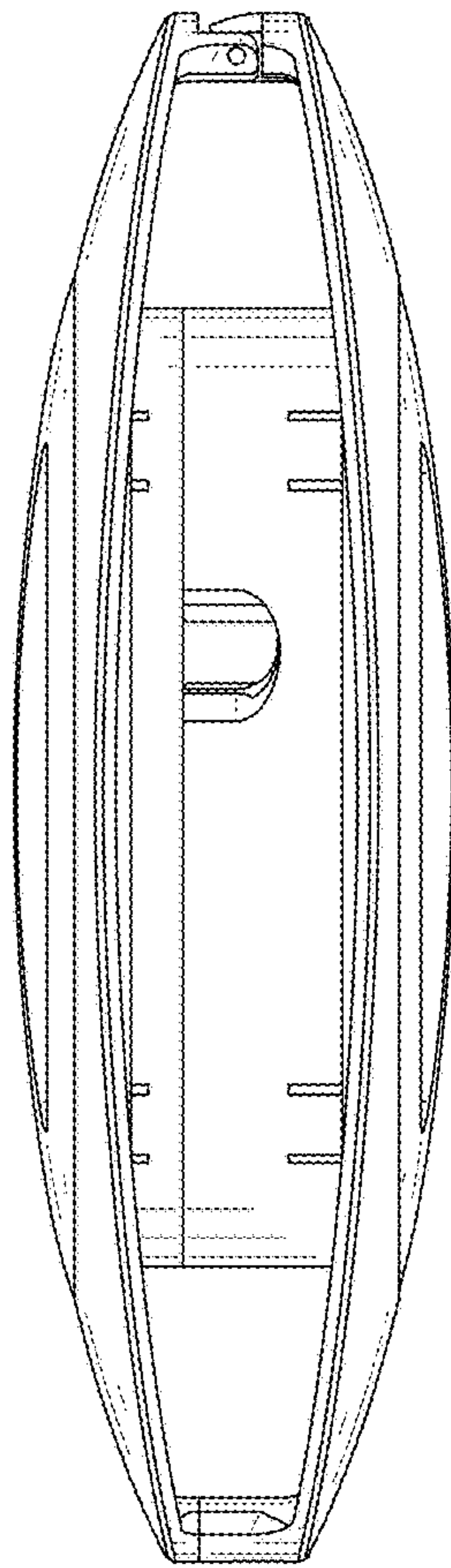


FIG. 6

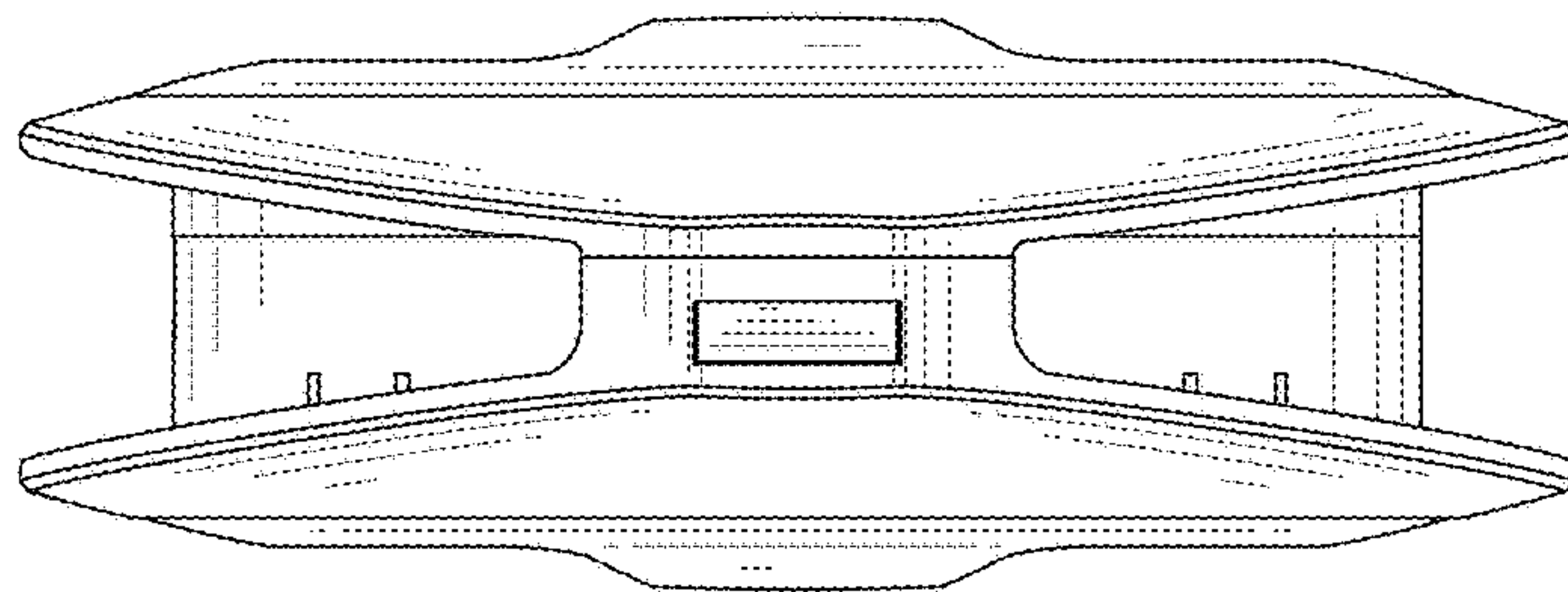


FIG. 7

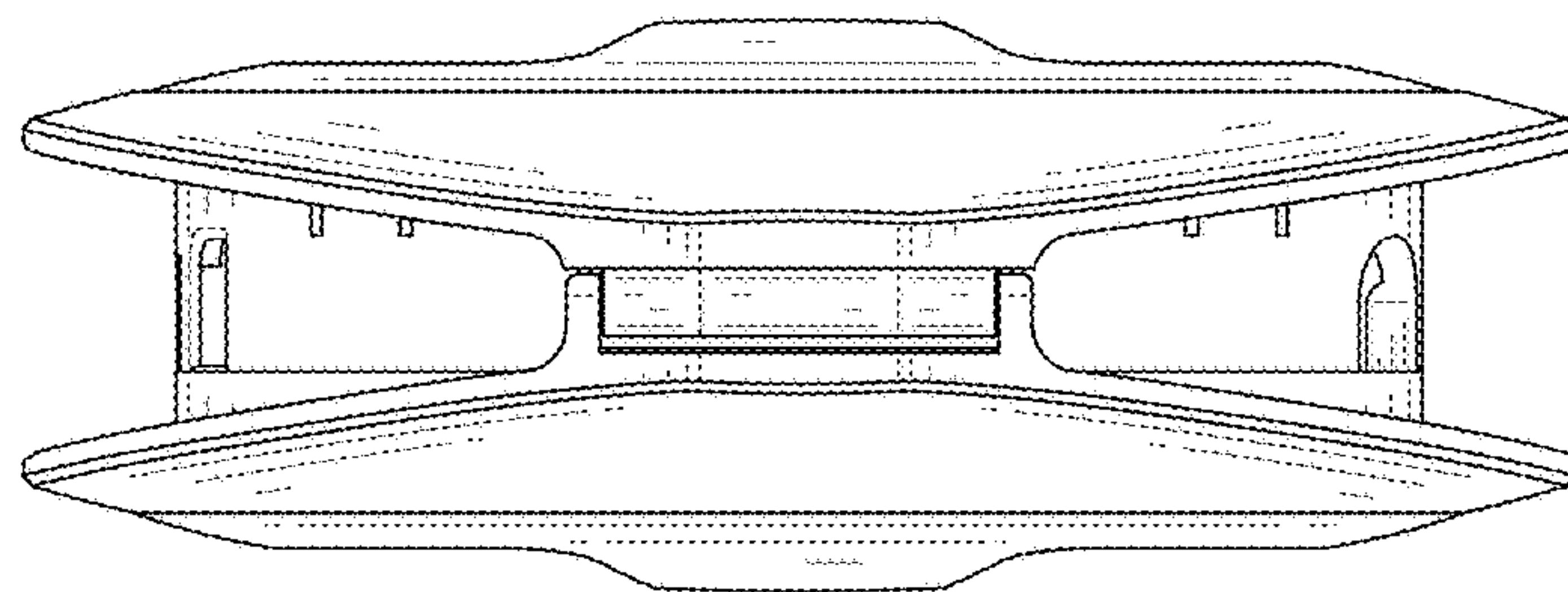


FIG. 8

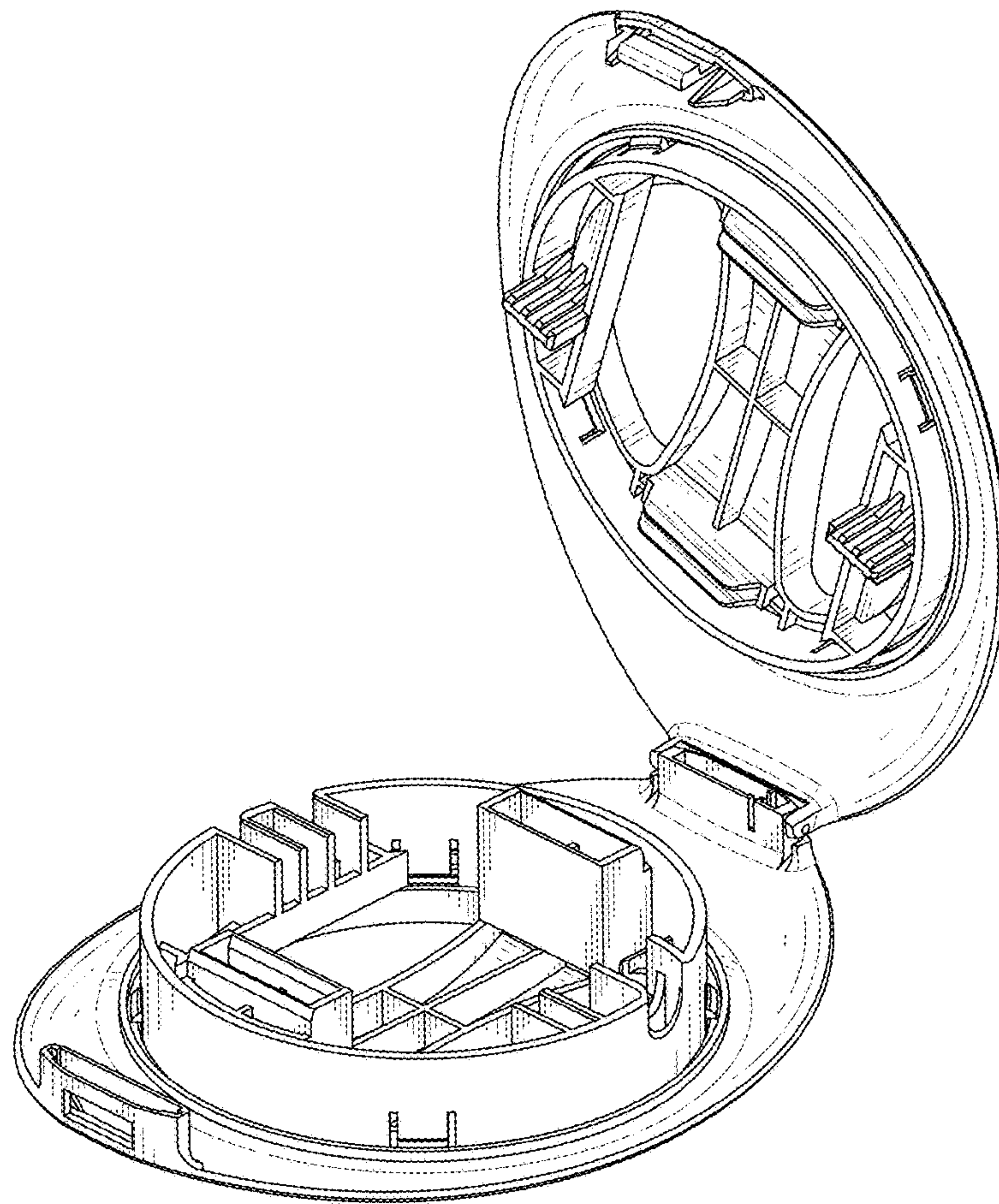


FIG. 9