



US00D863226S

(12) **United States Design Patent** (10) **Patent No.:** **US D863,226 S**  
**Andersson et al.** (45) **Date of Patent:** **\*\* Oct. 15, 2019**

(54) **ELECTRICAL JUNCTION BOX FOR MOTOR DIAGNOSIS**

F21S 8/02; F21V 23/00; F21V 23/01;  
F16J 13/10; F16B 5/02

See application file for complete search history.

(71) Applicant: **SIEMENS**  
**AKTIENGESELLSCHAFT**, München  
(DE)

(56)

**References Cited**

U.S. PATENT DOCUMENTS

(72) Inventors: **Jan Andersson**, Erlangen (DE);  
**Stephan Hühne**, Wilhermsdorf (DE);  
**Matthias Manger**, Fürth (DE)

D782,415 S *	3/2017	Zhang .....	D13/108
D786,791 S *	5/2017	Jeong .....	D13/108
D793,958 S *	8/2017	Rautiainen .....	D13/108
D795,182 S *	8/2017	Akana .....	D13/108
D809,456 S *	2/2018	Miller .....	D13/110
D816,029 S *	4/2018	Dai .....	D13/108
D826,151 S *	8/2018	Akana .....	D13/108
D832,208 S *	10/2018	Grois .....	D13/108

(73) Assignee: **SIEMENS**  
**AKTIENGESELLSCHAFT**, München  
(DE)

\* cited by examiner

(\*\*) Term: **15 Years**

*Primary Examiner* — Rosemary K Tarcza  
*Assistant Examiner* — Christy M Nemeth  
(74) *Attorney, Agent, or Firm* — Henry M. Feiereisen  
LLC

(21) Appl. No.: **29/604,772**

(22) Filed: **May 19, 2017**

(30) **Foreign Application Priority Data**

Nov. 21, 2016 (EM) ..... 003474964

(51) **LOC (12) Cl.** ..... **13-03**

(52) **U.S. Cl.**  
USPC ..... **D13/152**

(58) **Field of Classification Search**

USPC ..... D13/108, 110, 123, 133, 137.1–137.4,  
D13/138.1–138.2, 139.1–139.8, 152–154,  
D13/146, 147, 156, 158, 177, 184, 199;  
D14/432, 433, 435.1; D8/350–353;  
D25/102, 122, 124

CPC ..... H01R 11/00; H01R 9/00; H01R 25/00;  
H01R 25/006; H01R 13/6675; H01R  
13/44; H01R 13/627; H01R 13/447;  
H01R 13/73; H01R 13/66; H01R 13/60;  
H01R 13/5845; H01R 13/72; H01R  
13/46; H01R 31/065; H01R 31/06; H01R  
24/28; H02J 2007/0062; H01B 7/2806;

(57)

**CLAIM**

The ornamental design for an electrical junction box for motor diagnosis, as shown and described.

**DESCRIPTION**

FIG. 1 is a front elevational view of an electrical junction box for motor diagnosis showing our new design;  
FIG. 2 is a rear elevational view thereof;  
FIG. 3 is a top plan view thereof;  
FIG. 4 is bottom plan view thereof;  
FIG. 5 is a left side devotional view thereof;  
FIG. 6 is a right side elevational view thereof; and,  
FIG. 7 is a left side, front and top perspective view thereof.

**1 Claim, 7 Drawing Sheets**

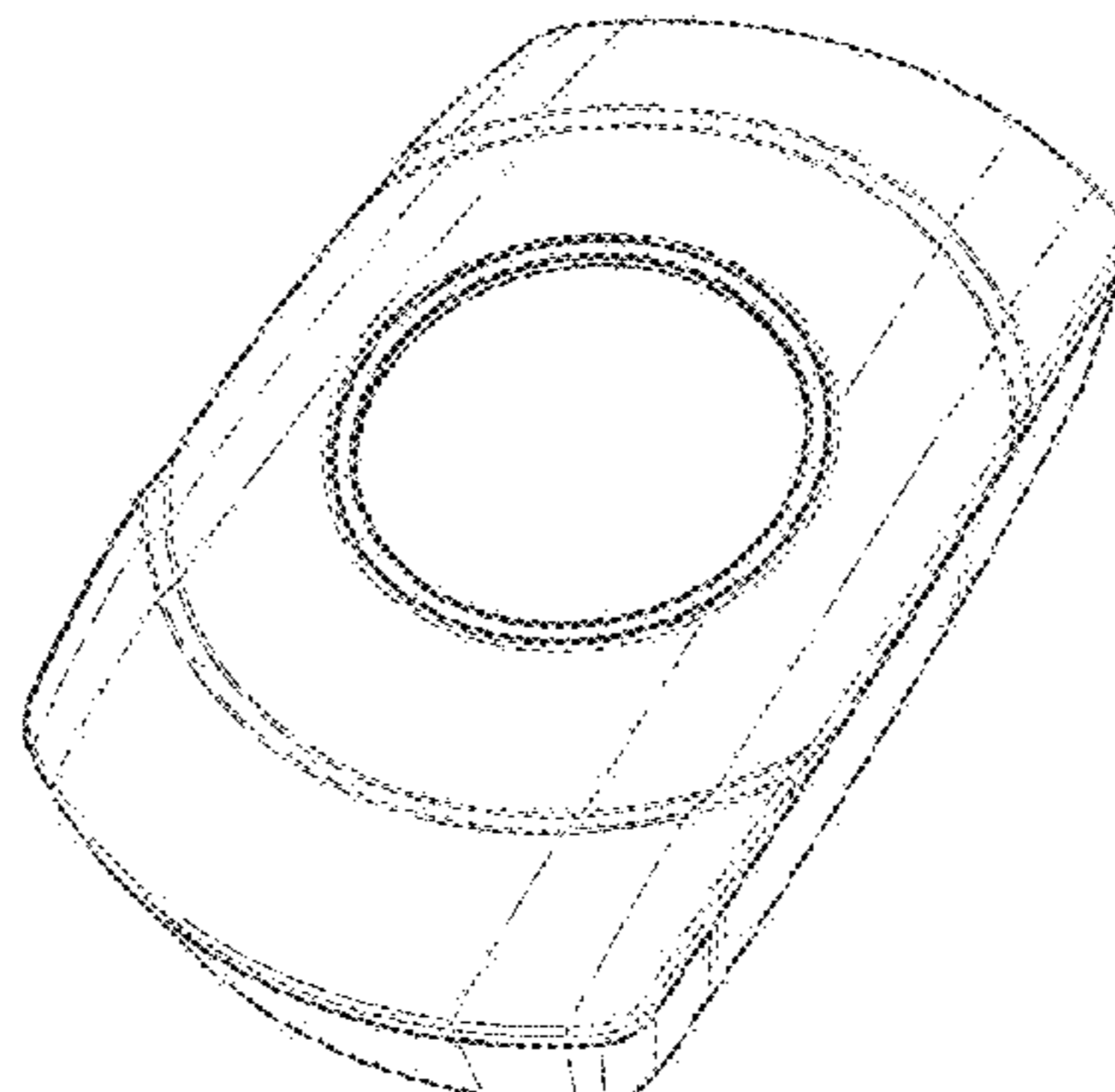
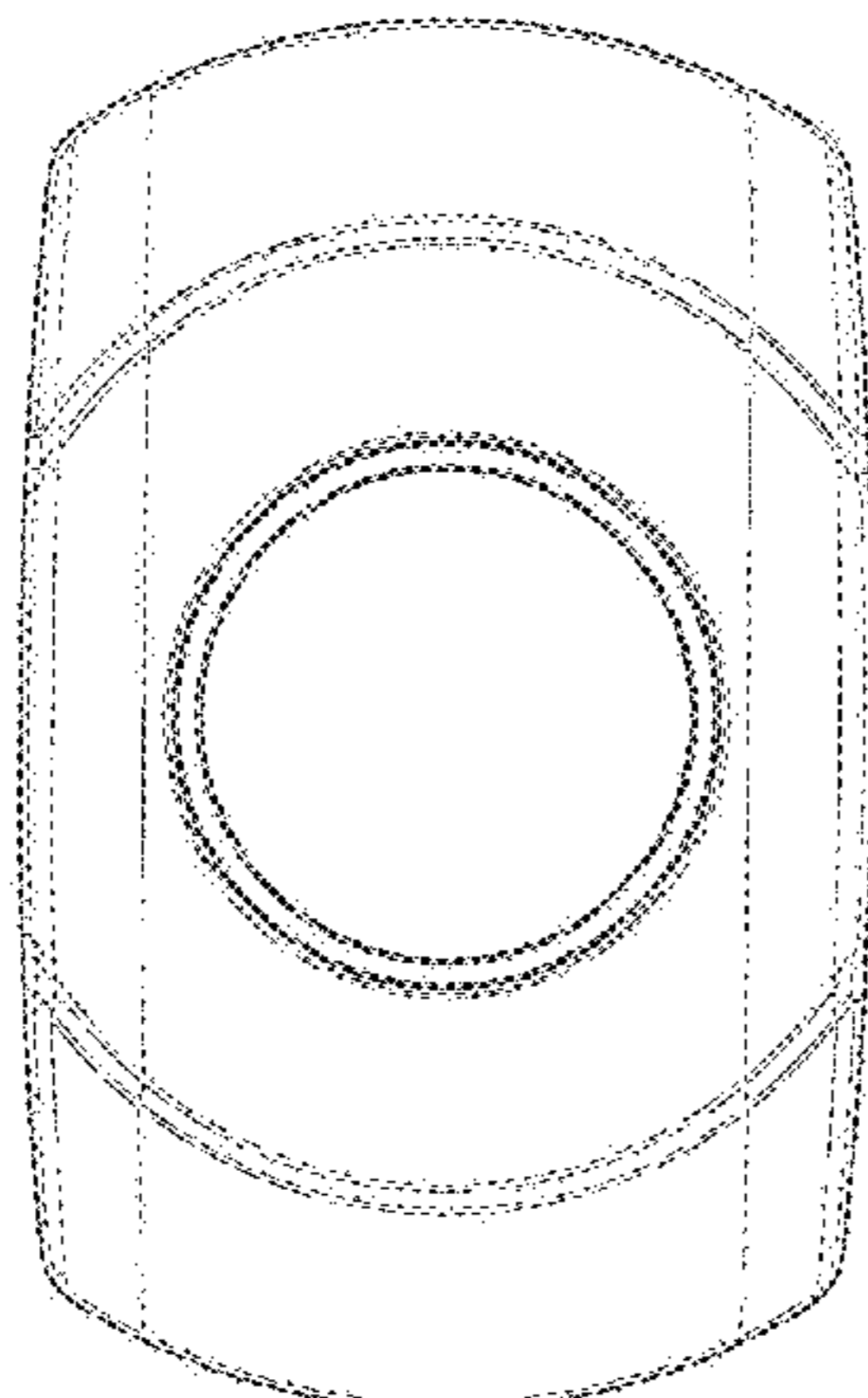


FIG. 1

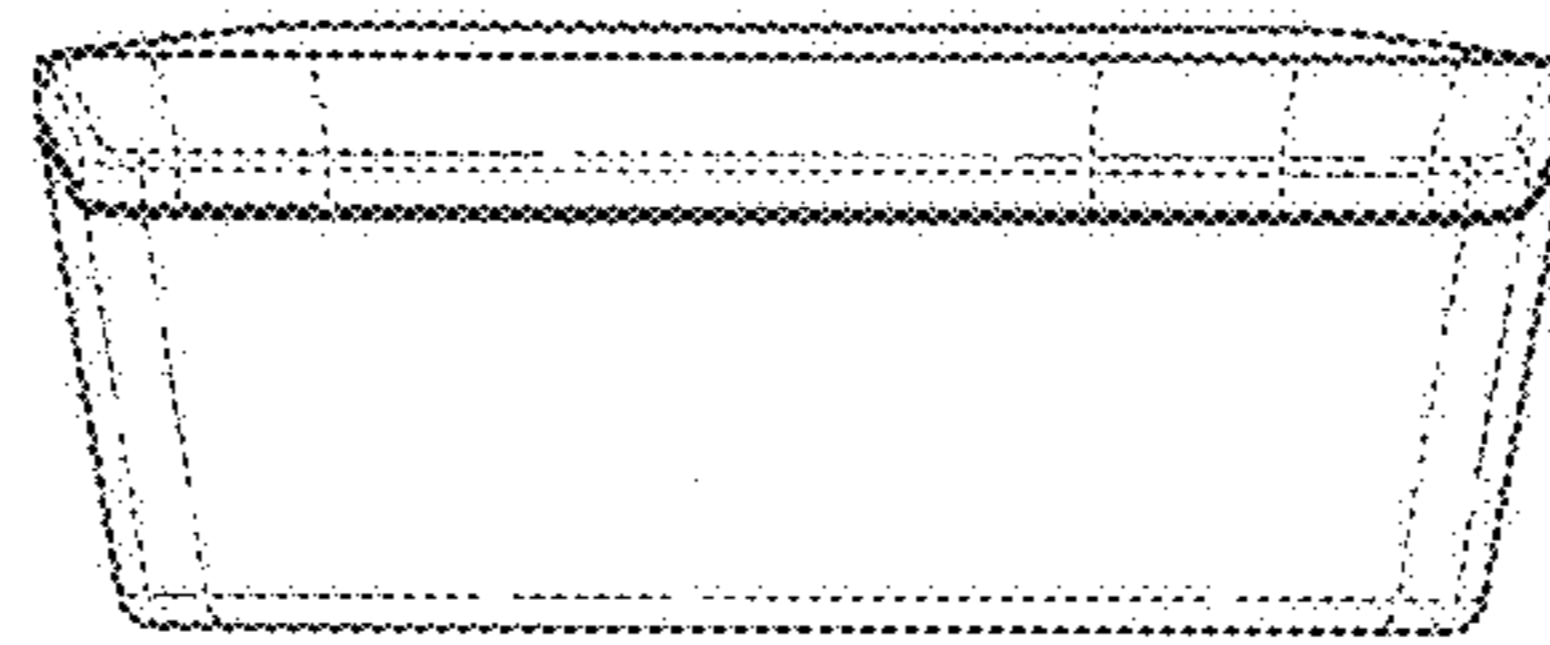


FIG. 2

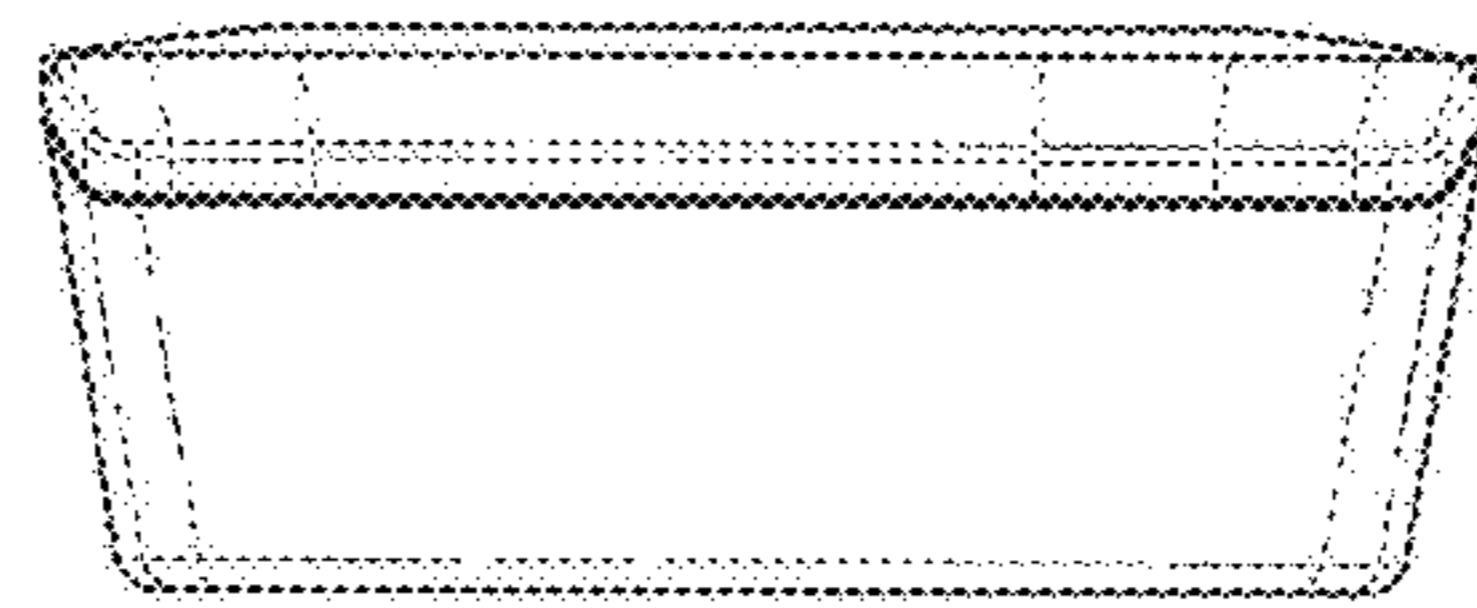


FIG. 3

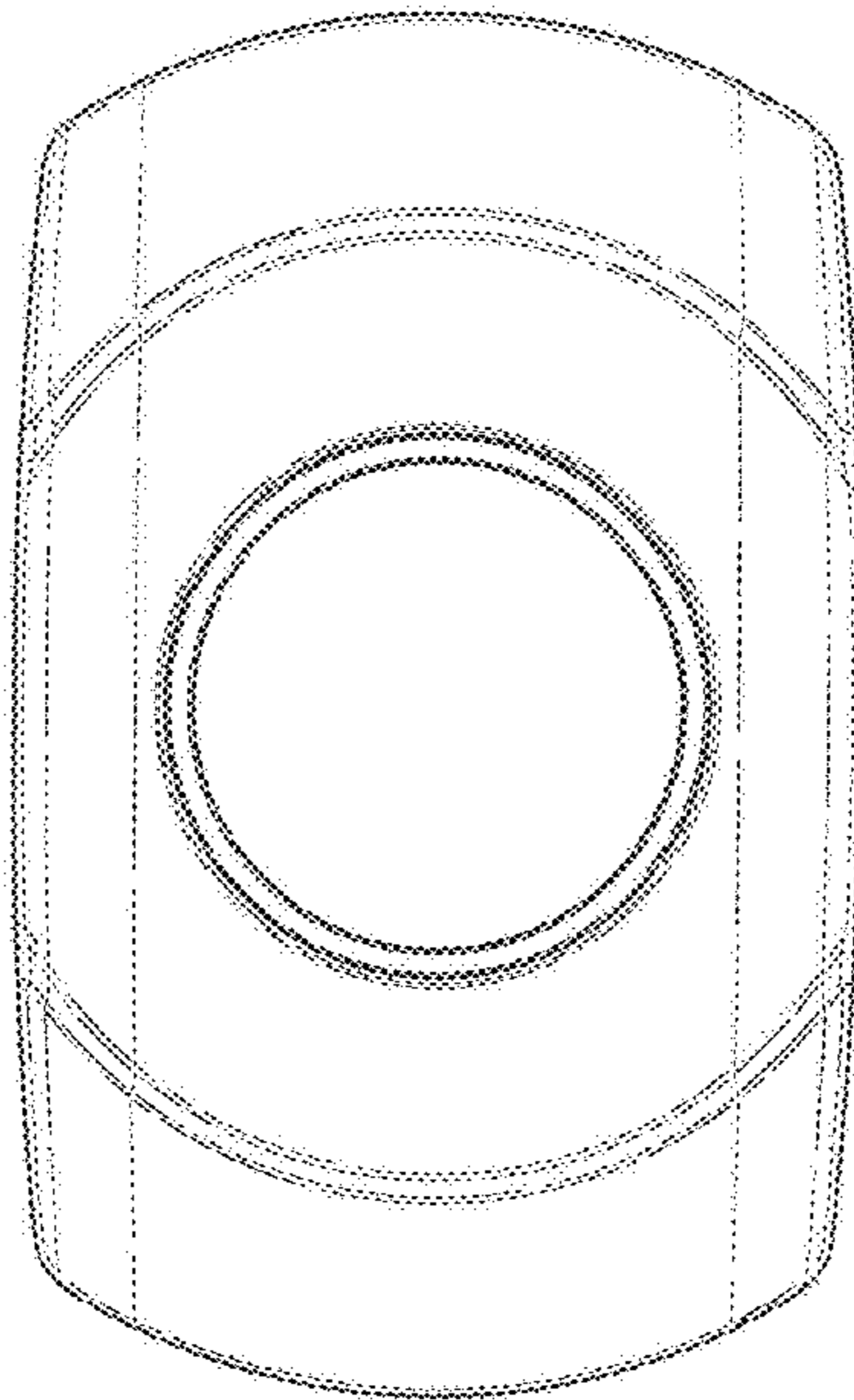


FIG. 4

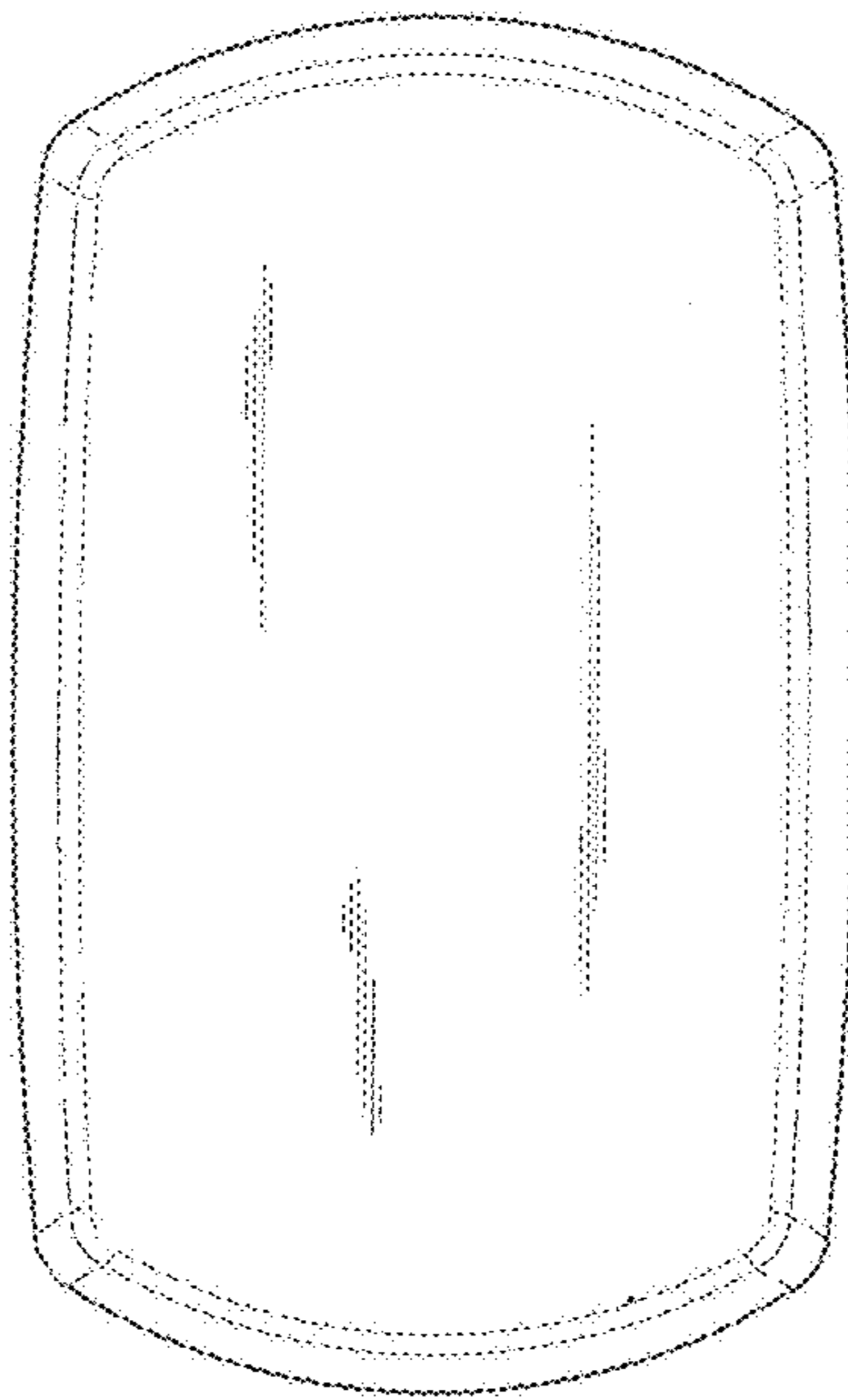


FIG. 5

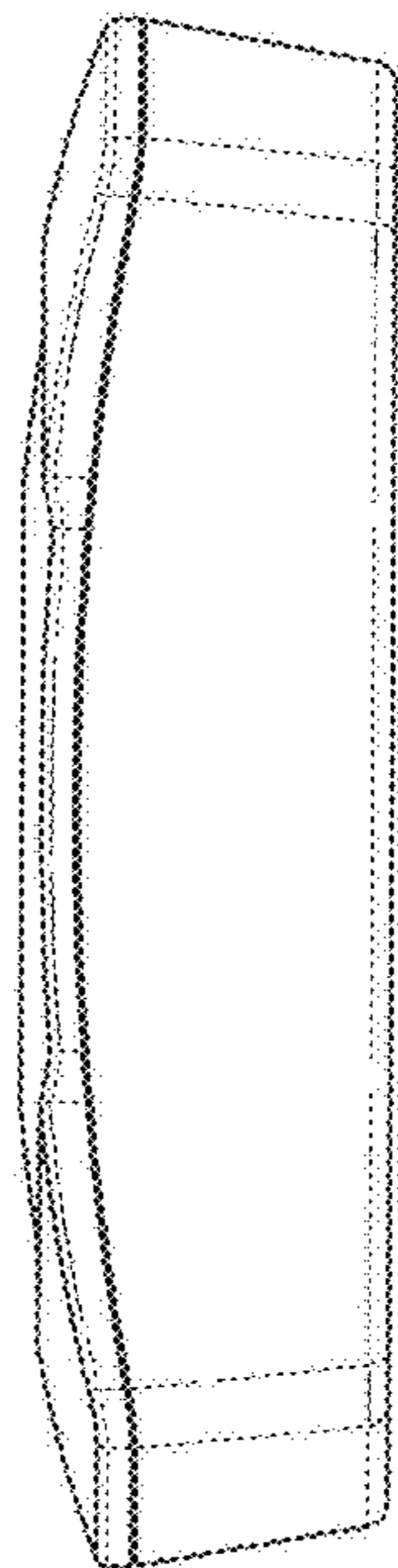


FIG. 6

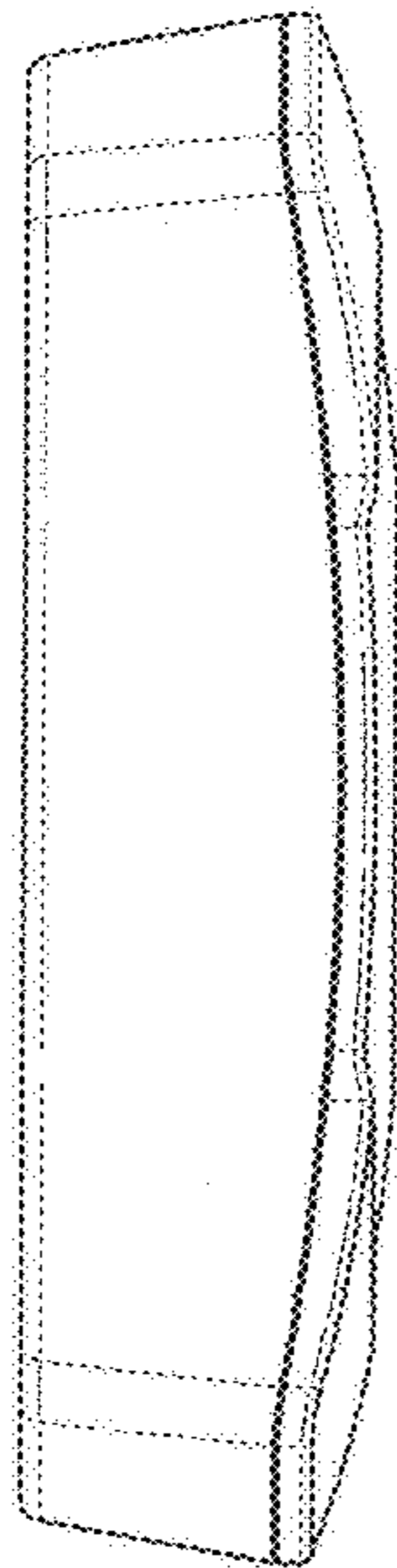


FIG. 7

