



US00D863224S

(12) **United States Design Patent**
Jhun et al.

(10) **Patent No.:** **US D863,224 S**
(45) **Date of Patent:** **** Oct. 15, 2019**

(54) **TABLETOP MEDIA CENTER WITH AN INTERCHANGEABLE MODULE**

20150707213359/http://www.avolutionav.com/solutions/furniture-integration/> (Year: 2015).*

(71) Applicant: **Crestron Electronics, Inc.**, Rockleigh, NJ (US)

Primary Examiner — Kevin K Rudzinski
Assistant Examiner — Kathleen L Jones

(72) Inventors: **Sae Jhun**, New York, NY (US); **Wendy Feldstein**, Old Tappan, NJ (US)

(74) *Attorney, Agent, or Firm* — Crestron Electronics, Inc.

(73) Assignee: **Crestron Electronics, Inc.**, Rockleigh, NJ (US)

(57) **CLAIM**

The ornamental design for a tabletop media center with an interchangeable module, as shown and described.

(**) Term: **15 Years**

DESCRIPTION

(21) Appl. No.: **29/691,966**

(22) Filed: **May 21, 2019**

Related U.S. Application Data

(63) Continuation of application No. 29/687,168, filed on Apr. 11, 2019, which is a continuation-in-part of application No. 29/636,852, filed on Feb. 12, 2018.

(51) **LOC (12) Cl.** **13-03**

(52) **U.S. Cl.**
USPC **D13/139.4**; D14/134; D6/642

(58) **Field of Classification Search**
USPC D13/107–108, 139.4–139.6, 162–164;
D14/304–305, 307–308, 311, 434;
(Continued)

(56) **References Cited**

U.S. PATENT DOCUMENTS

D176,176 S * 11/1955 Dahlgren D6/655.23
3,373,703 A * 3/1968 Barecki A47B 21/06
108/50.01

(Continued)

OTHER PUBLICATIONS

Furniture Integration, posted at AVolution AV, posting date Jul. 7, 2015. Site visited May 7, 2019. URL: <http://web.archive.org/web/

FIG. 1 shows a front-top perspective view of a tabletop media center with an interchangeable module with a top cover in a closed position, according to a first embodiment. FIG. 2 shows a top view of the embodiment of FIG. 1 with the top cover in a closed position. FIG. 3 shows a front view of the embodiment of FIG. 1 with the top cover in a closed position. FIG. 4 shows a rear view of the embodiment of FIG. 1 with the top cover in a closed position. FIG. 5 shows a left side view of the embodiment of FIG. 1 with the top cover in a closed position. FIG. 6 shows a right side view of the embodiment of FIG. 1 with the top cover in a closed position. FIG. 7 shows a front-top perspective view of the embodiment of FIG. 1 with the top cover in an opened position exposing the interchangeable module. FIG. 8 shows a rear-top perspective view of the embodiment of FIG. 1 with the top cover in an opened position exposing the interchangeable module. FIG. 9 shows a top view of the embodiment of FIG. 1 with the top cover in an opened position exposing the interchangeable module. FIG. 10 shows a front-top perspective view of a tabletop media center with an interchangeable module with a top cover in an opened position, according to a second embodiment, wherein the design with the top cover in a closed position is identical to the first embodiment shown in FIGS. 1-6.

(Continued)

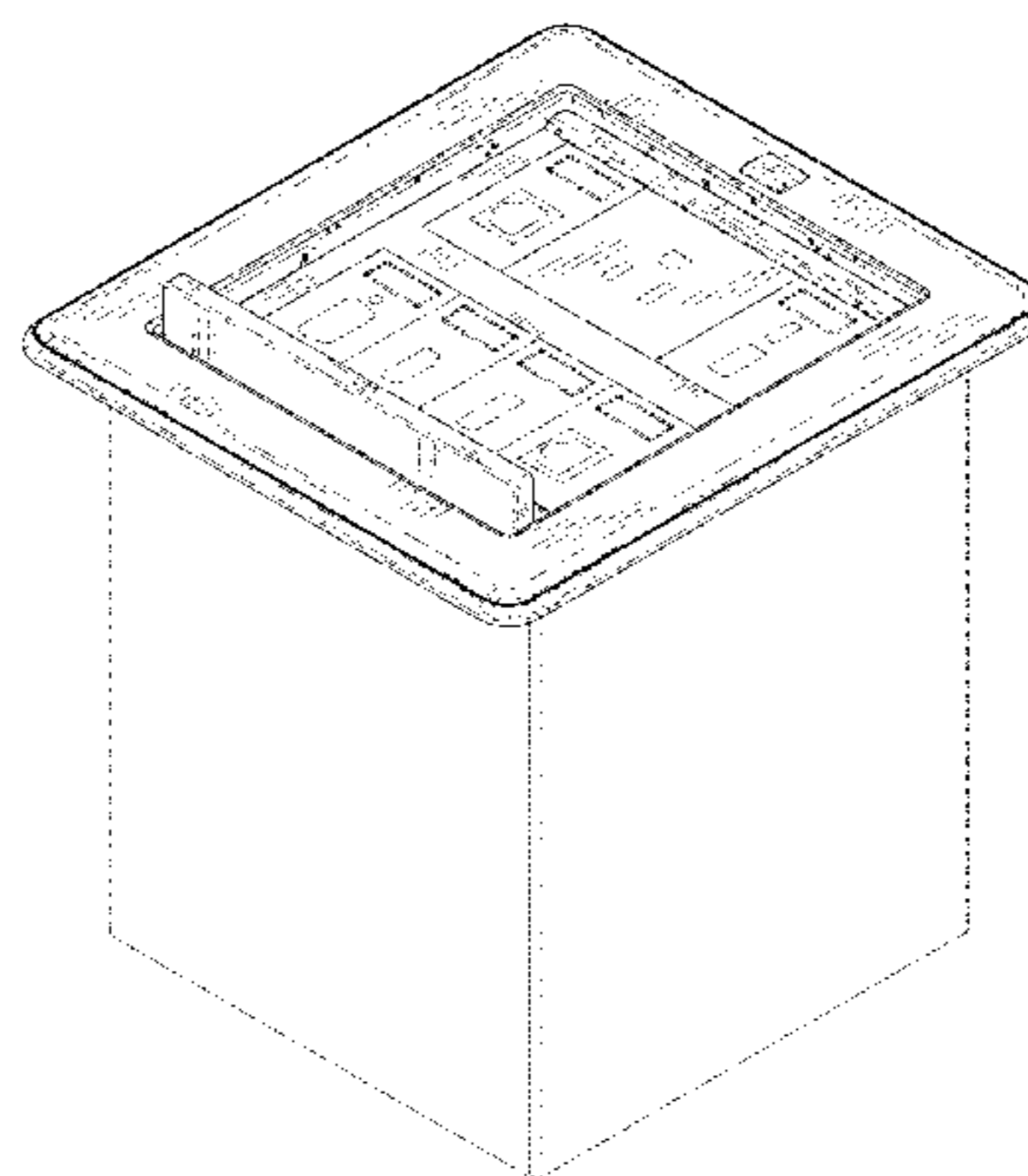
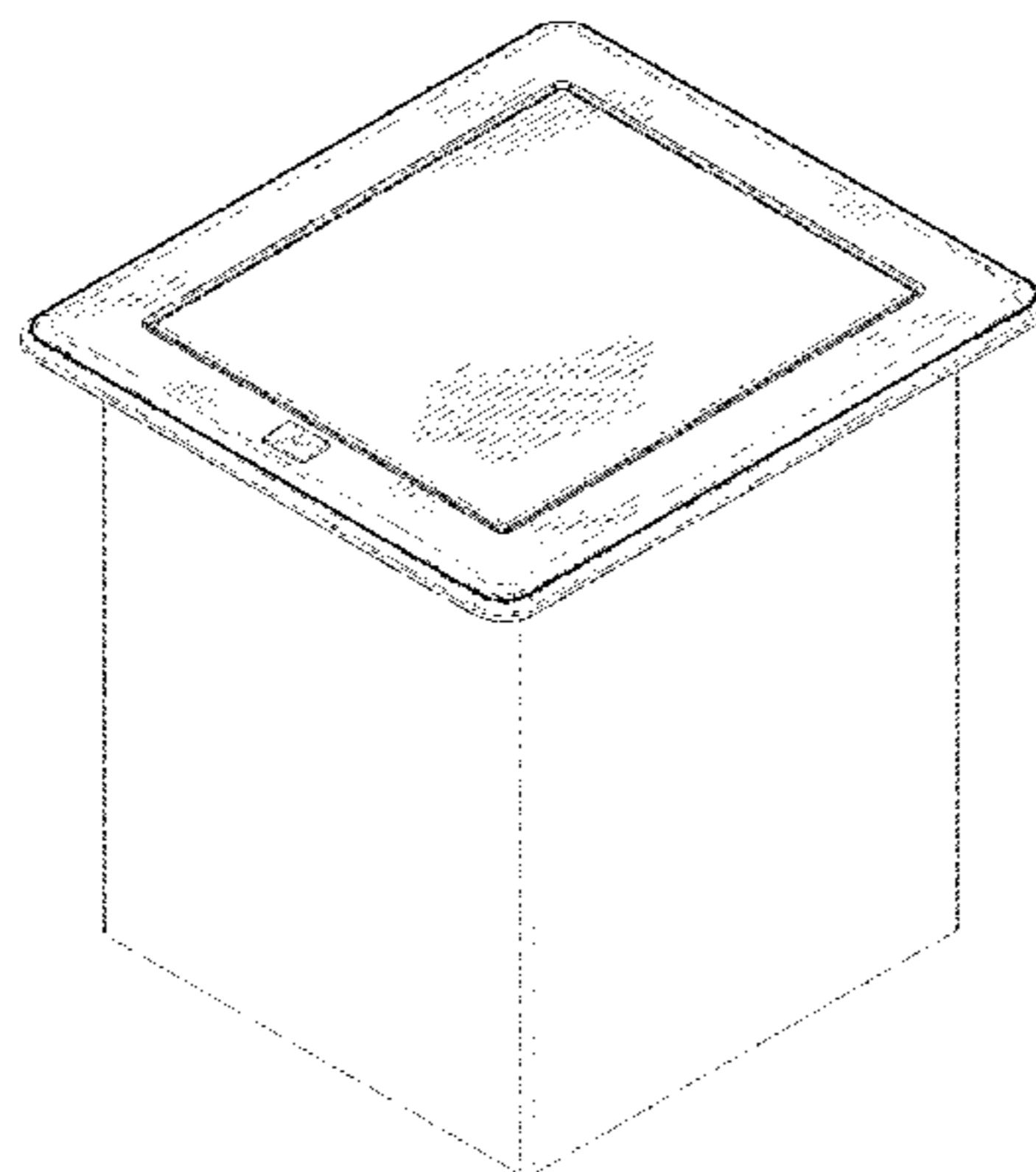


FIG. 11 shows a rear-top perspective view of the embodiment of FIG. 10 with the top cover in an opened position exposing the interchangeable module; and, FIG. 12 shows a top view of the embodiment of FIG. 10 with the top cover in an opened position exposing the interchangeable module. The broken lines in the figures depict portions of the tabletop media center with the interchangeable module that form no part of the claimed design.

1 Claim, 12 Drawing Sheets

(58) **Field of Classification Search**

USPC D6/641-642, 655, 691.1; D9/422;
D12/423
CPC A47B 21/06; A47B 2021/066; A47B
2200/0082
See application file for complete search history.

(56) **References Cited**

U.S. PATENT DOCUMENTS

D224,637 S * 8/1972 Ball D6/641
D275,913 S * 10/1984 Mulligan D6/301
D289,474 S * 4/1987 Underwood D6/642
D314,555 S * 2/1991 Brown, Jr. D13/164
D329,944 S * 10/1992 Longtin D12/423
D353,363 S * 12/1994 Toby D13/139.4
5,709,156 A * 1/1998 Gevaert A47B 21/06
108/26
D392,254 S * 3/1998 Gevaert D13/139.4
D421,961 S * 3/2000 Muller D13/139.4
6,556,678 B1 * 4/2003 Boyce A47B 21/00
379/454

D503,296 S * 3/2005 Mason D6/642
D513,909 S * 1/2006 Bibi D6/691.1
D553,306 S * 10/2007 Hansen D13/139.4
D556,139 S * 11/2007 Gershfeld D13/139.4
D639,244 S * 6/2011 Byrne D13/139.4
D650,784 S * 12/2011 Feldstein D14/434
D660,237 S * 5/2012 Byrne D13/139.4
D660,792 S * 5/2012 Inskeep D13/104
D662,480 S * 6/2012 Daniel D14/125
D665,355 S * 8/2012 Byrne D13/139.4
D666,556 S * 9/2012 Byrne D13/139.4
D682,213 S * 5/2013 Byrne D13/139.4
D685,329 S * 7/2013 Byrne D13/139.4
D701,830 S * 4/2014 Edwards D13/107
D707,178 S * 6/2014 Byrne D13/139.4
D709,031 S * 7/2014 Byrne D13/139.4
D709,832 S * 7/2014 Byrne D13/139.4
D715,740 S * 10/2014 Byrne D13/139.4
D718,711 S * 12/2014 Rabalais D13/107
D718,721 S * 12/2014 Rader D13/162
D766,610 S * 9/2016 Johnson D6/406.1
D784,258 S * 4/2017 Vienna D13/108
D839,200 S * 1/2019 Lee D13/139.4
2002/0092664 A1 * 7/2002 Young H02G 3/185
174/66
2005/0268823 A1 * 12/2005 Bakker A47B 21/06
108/50.02
2008/0277134 A1 * 11/2008 Jolly H02G 3/12
174/67
2012/0200989 A1 * 8/2012 Byrne H01R 13/447
361/641
2014/0124641 A1 * 5/2014 Kassanoff A47B 17/04
248/447
2017/0156490 A1 * 6/2017 Newhouse A47B 21/06
2018/0242730 A1 * 8/2018 Gershfeld A47B 21/06
2019/0148874 A1 * 5/2019 Sorrentino H01R 13/5213
2019/0166707 A1 * 5/2019 Pedoeem H05K 5/0217

* cited by examiner

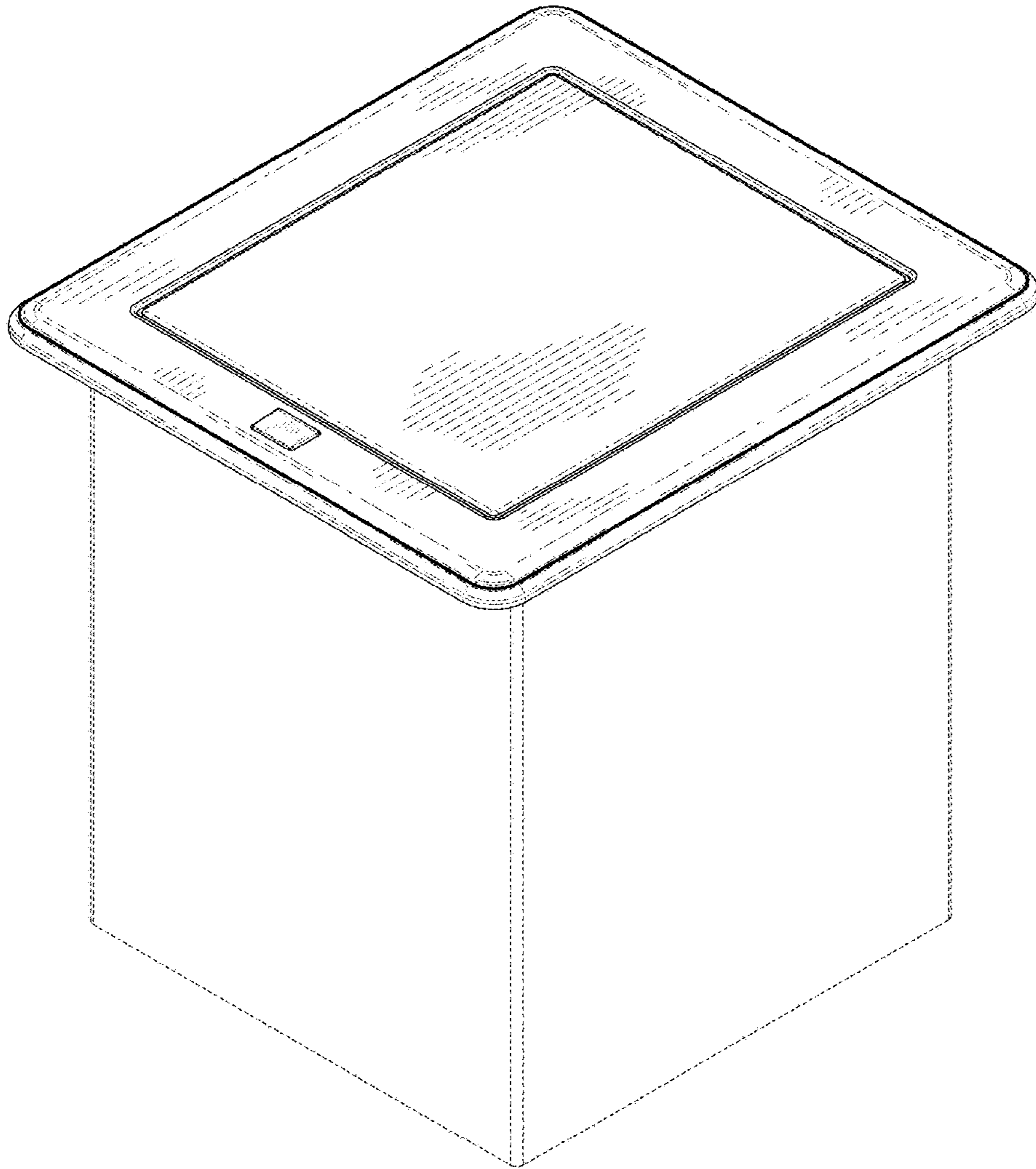


FIG. 1

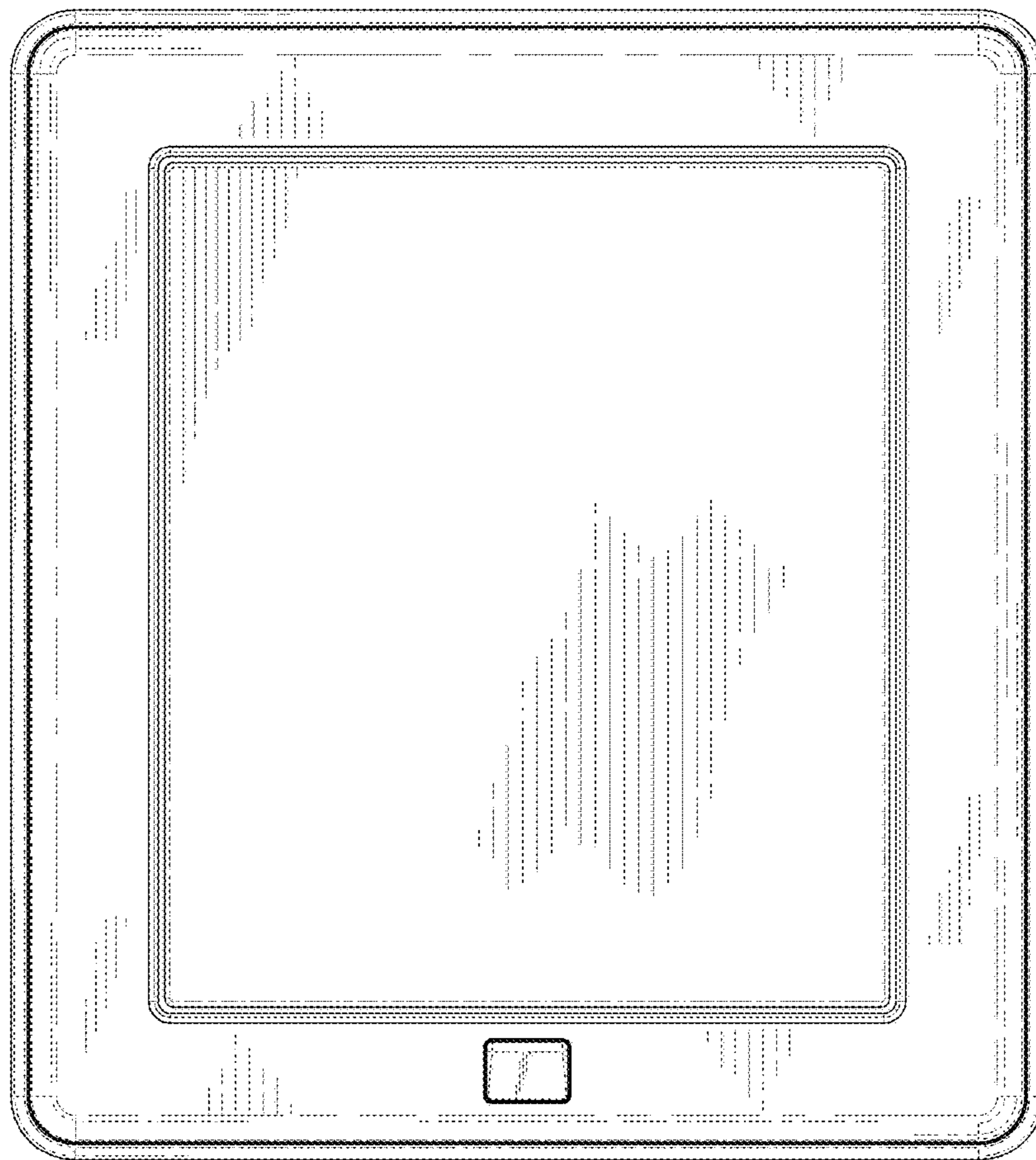


FIG. 2

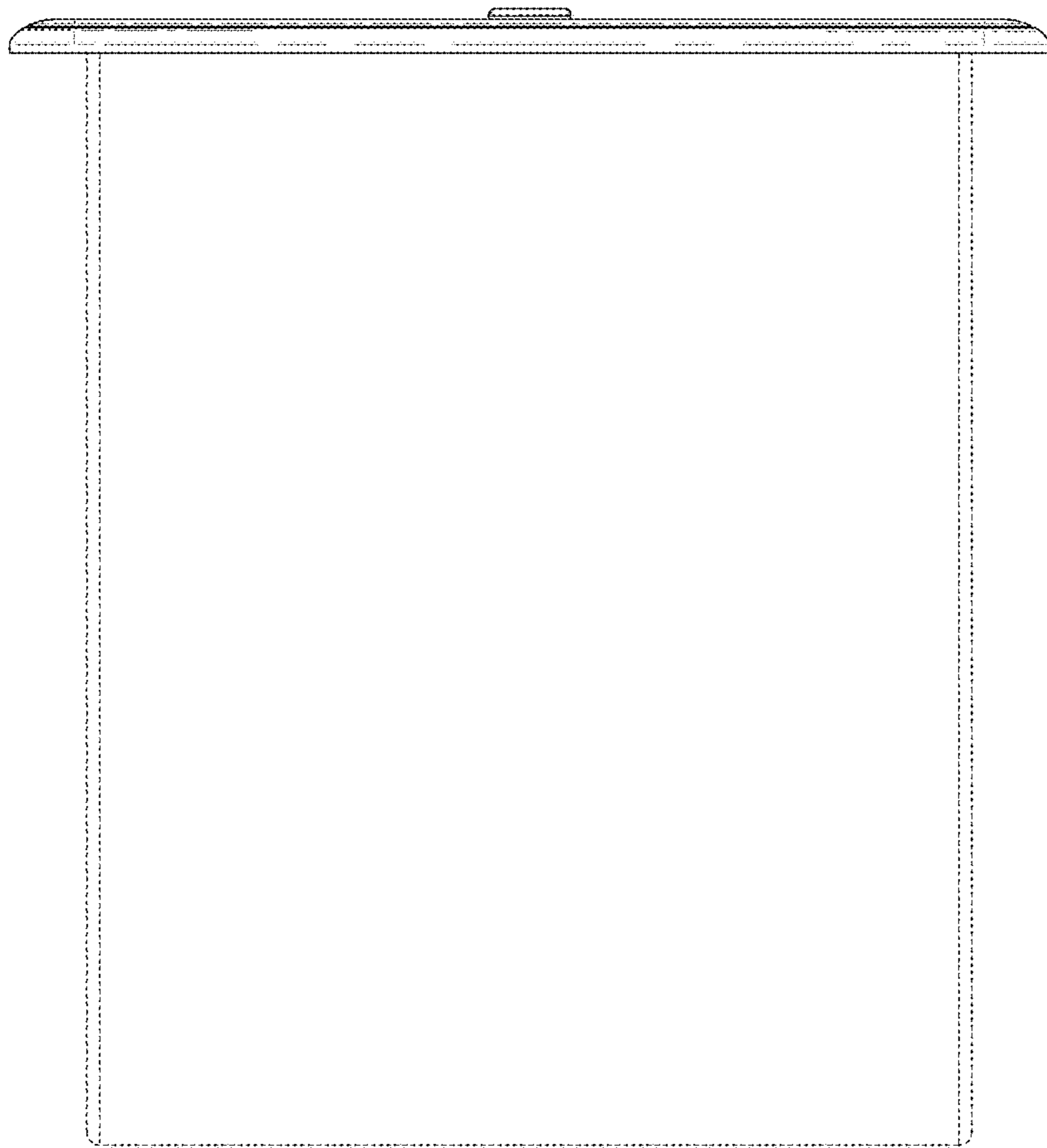


FIG. 3

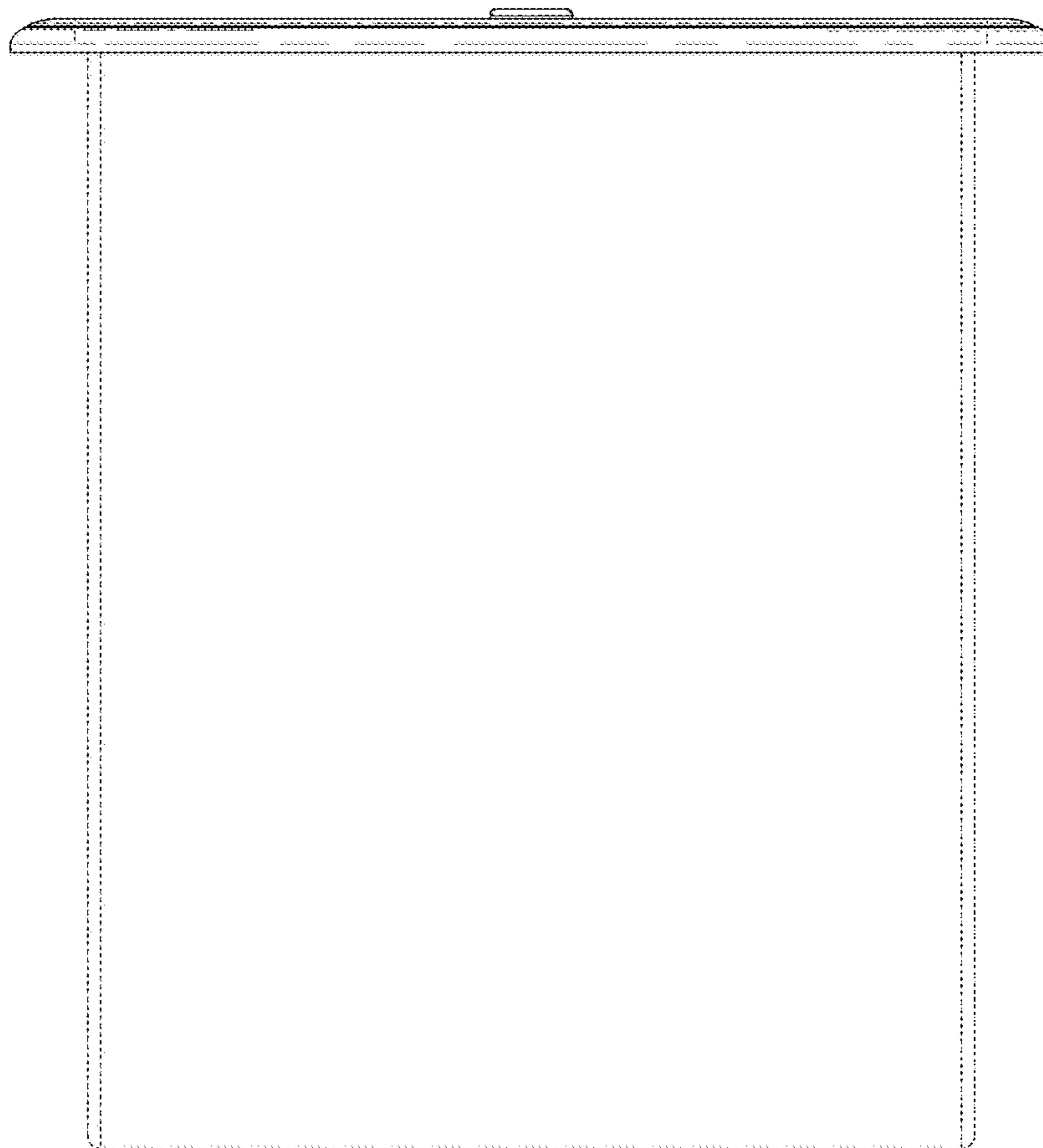


FIG. 4

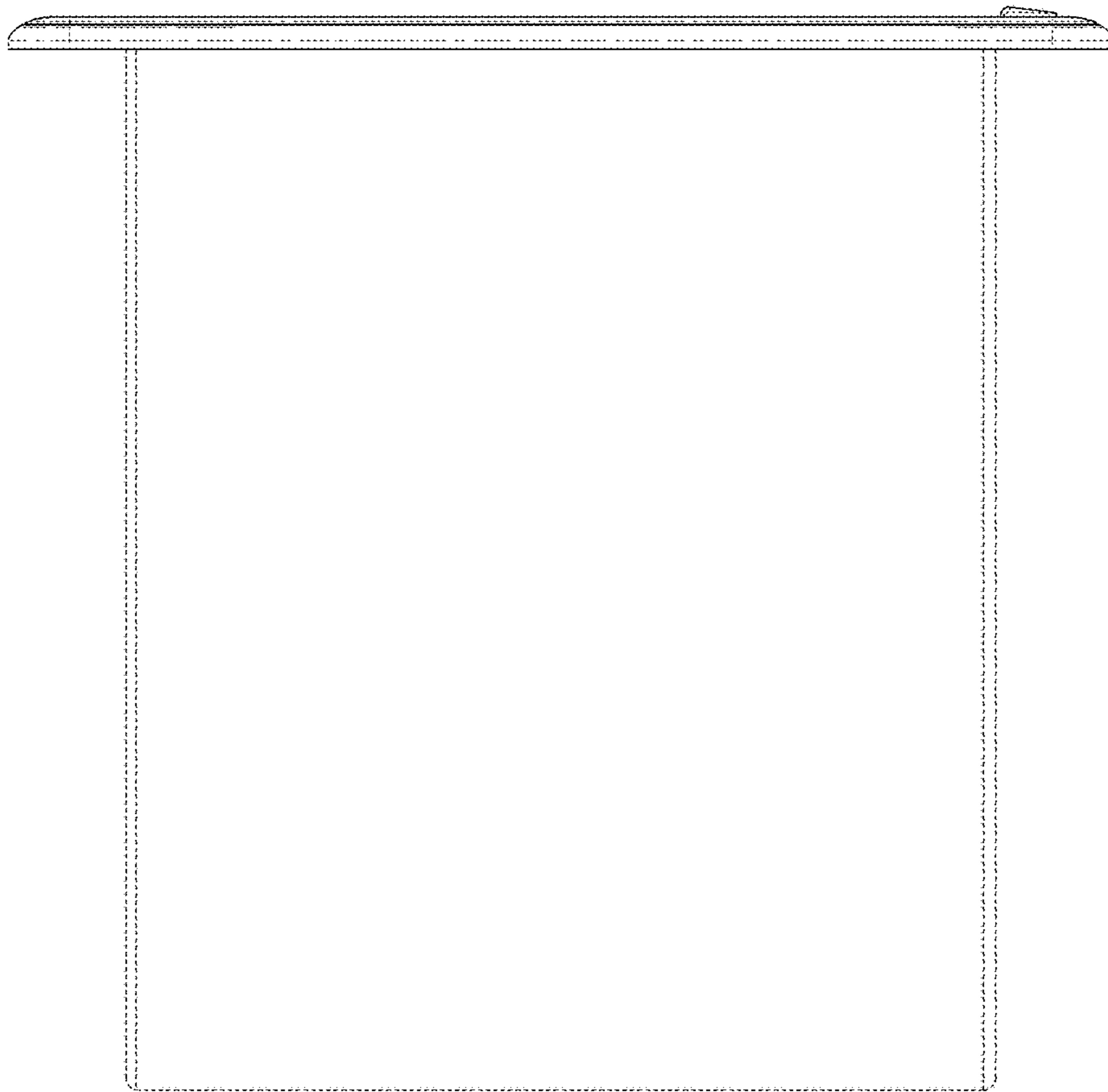


FIG. 5

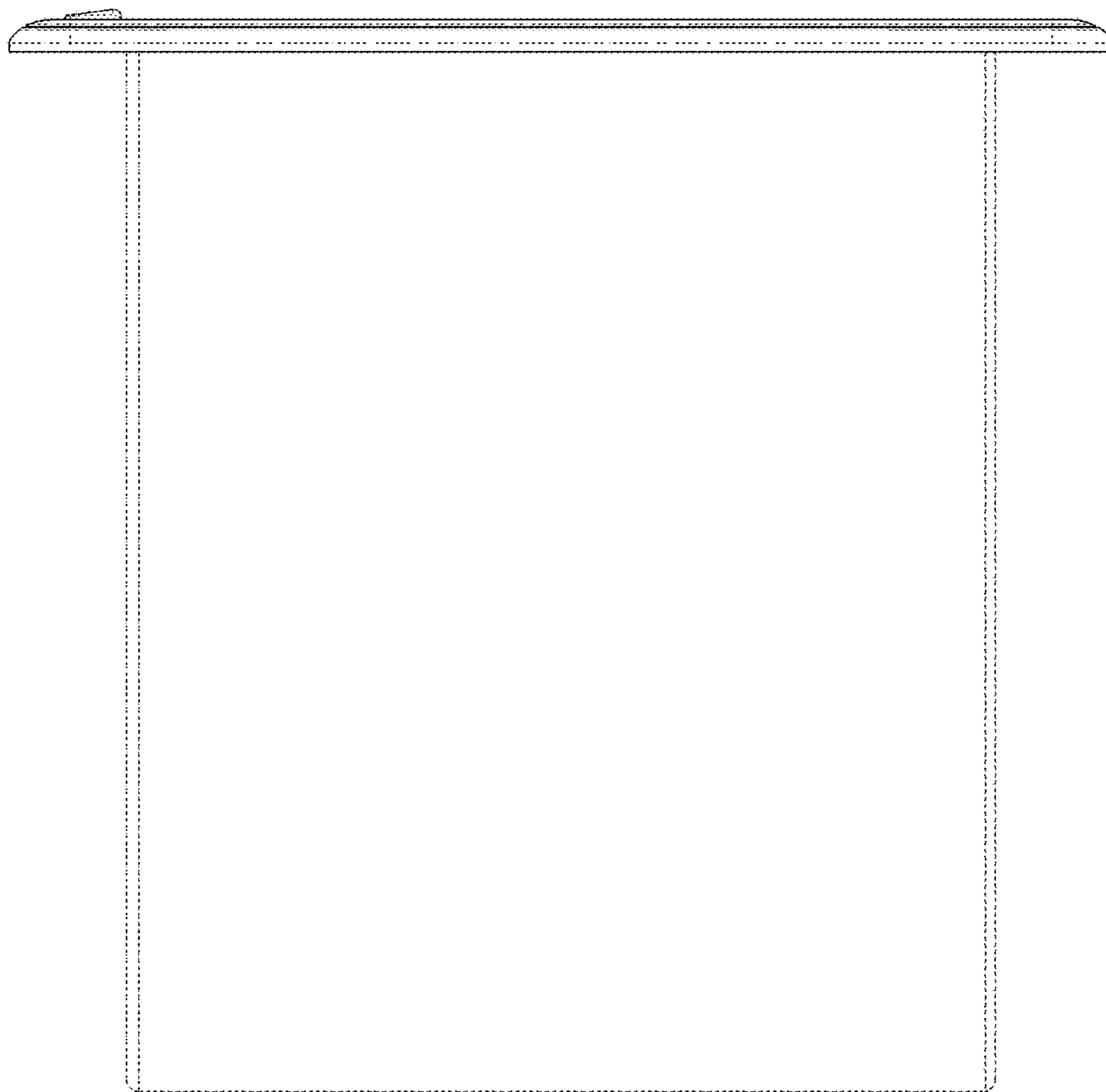


FIG. 6

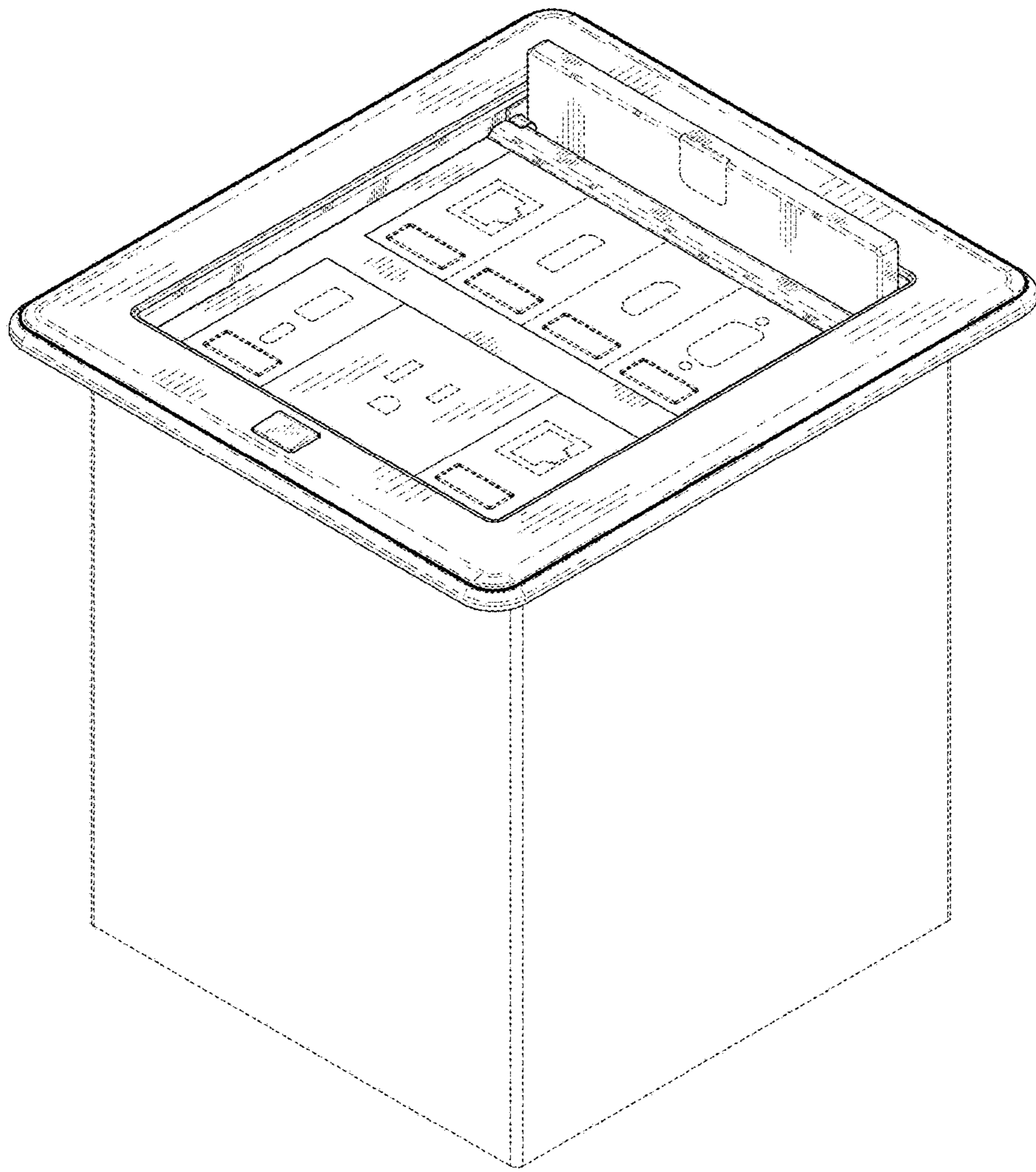


FIG. 7

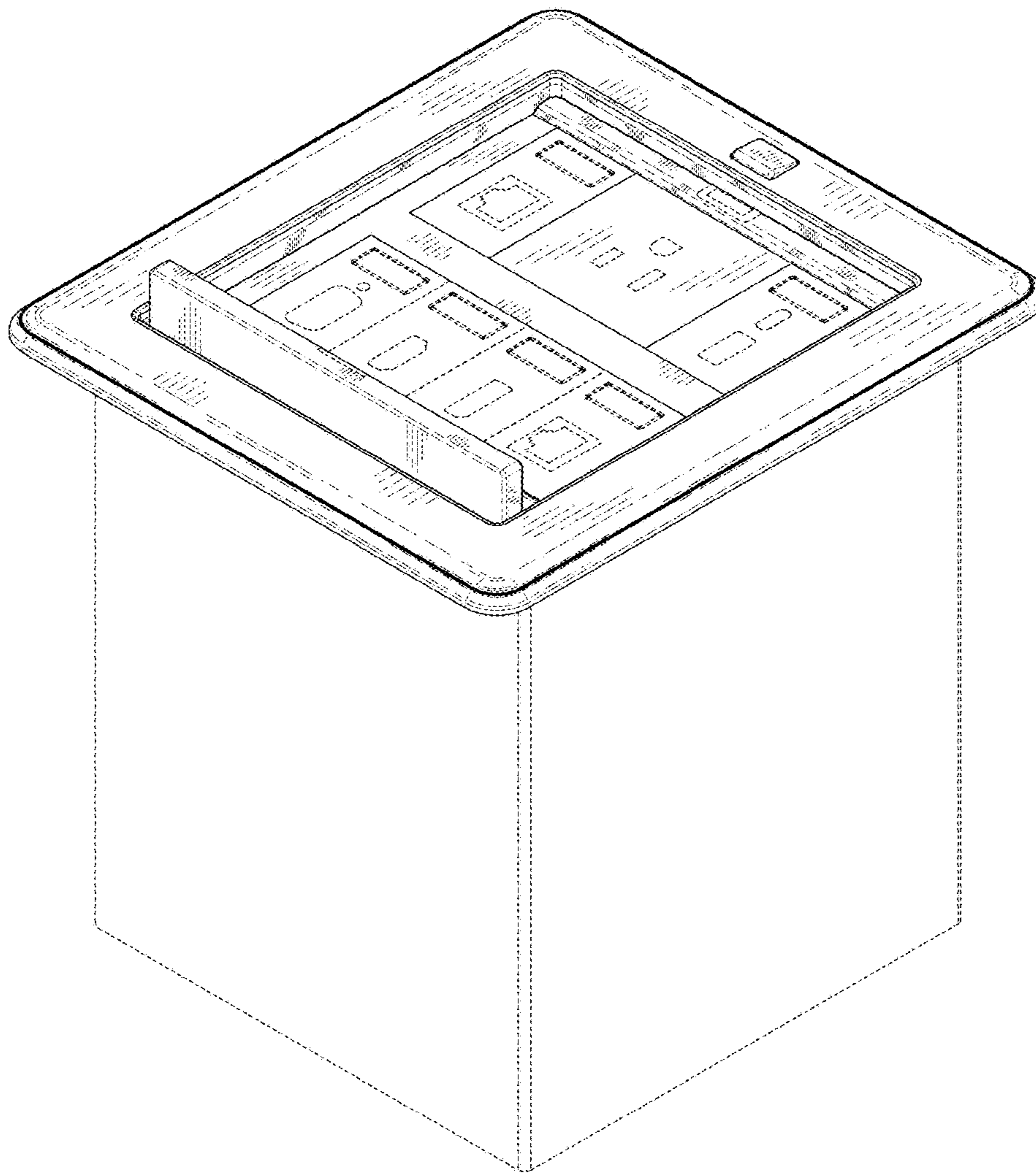


FIG. 8

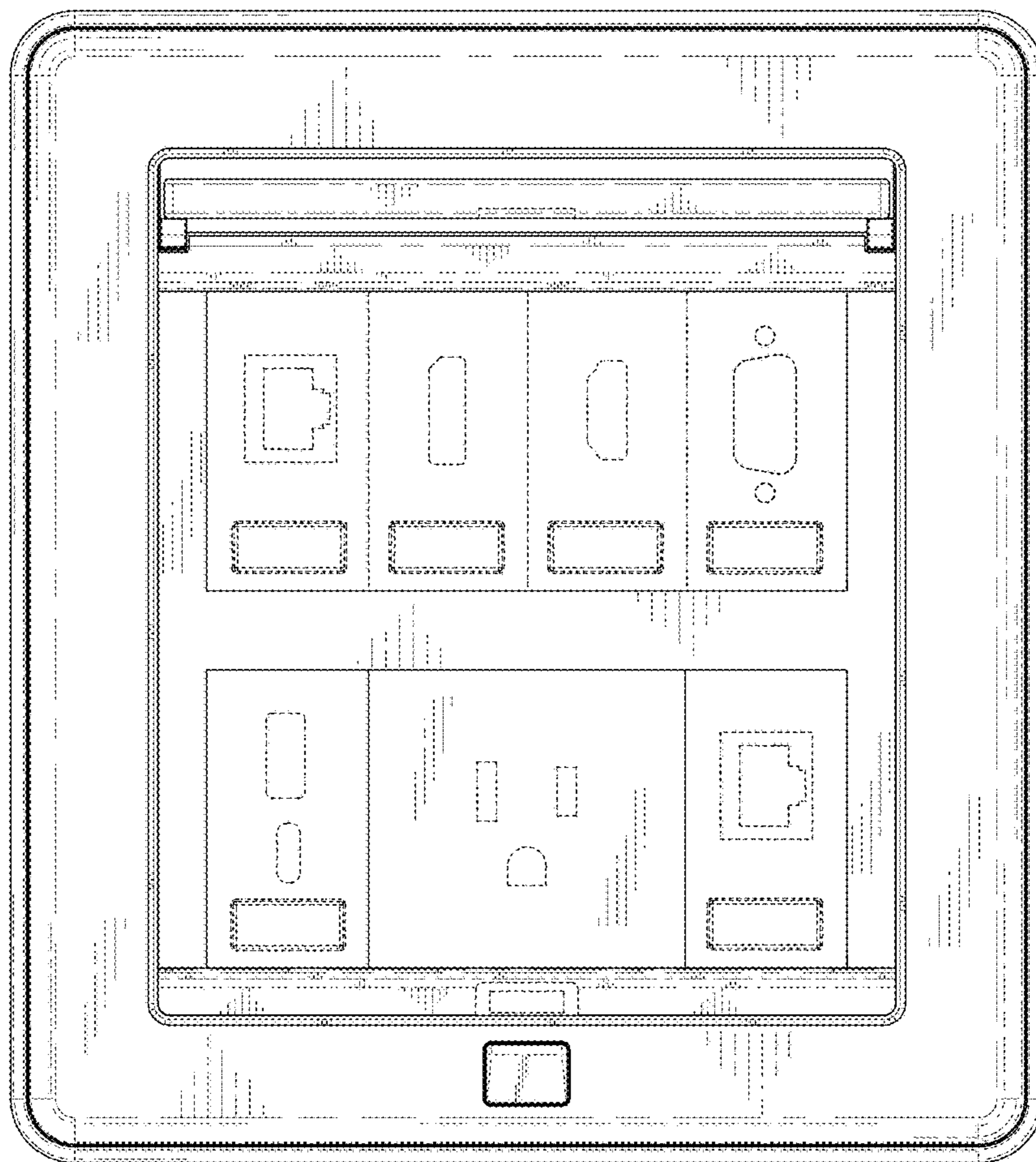


FIG. 9

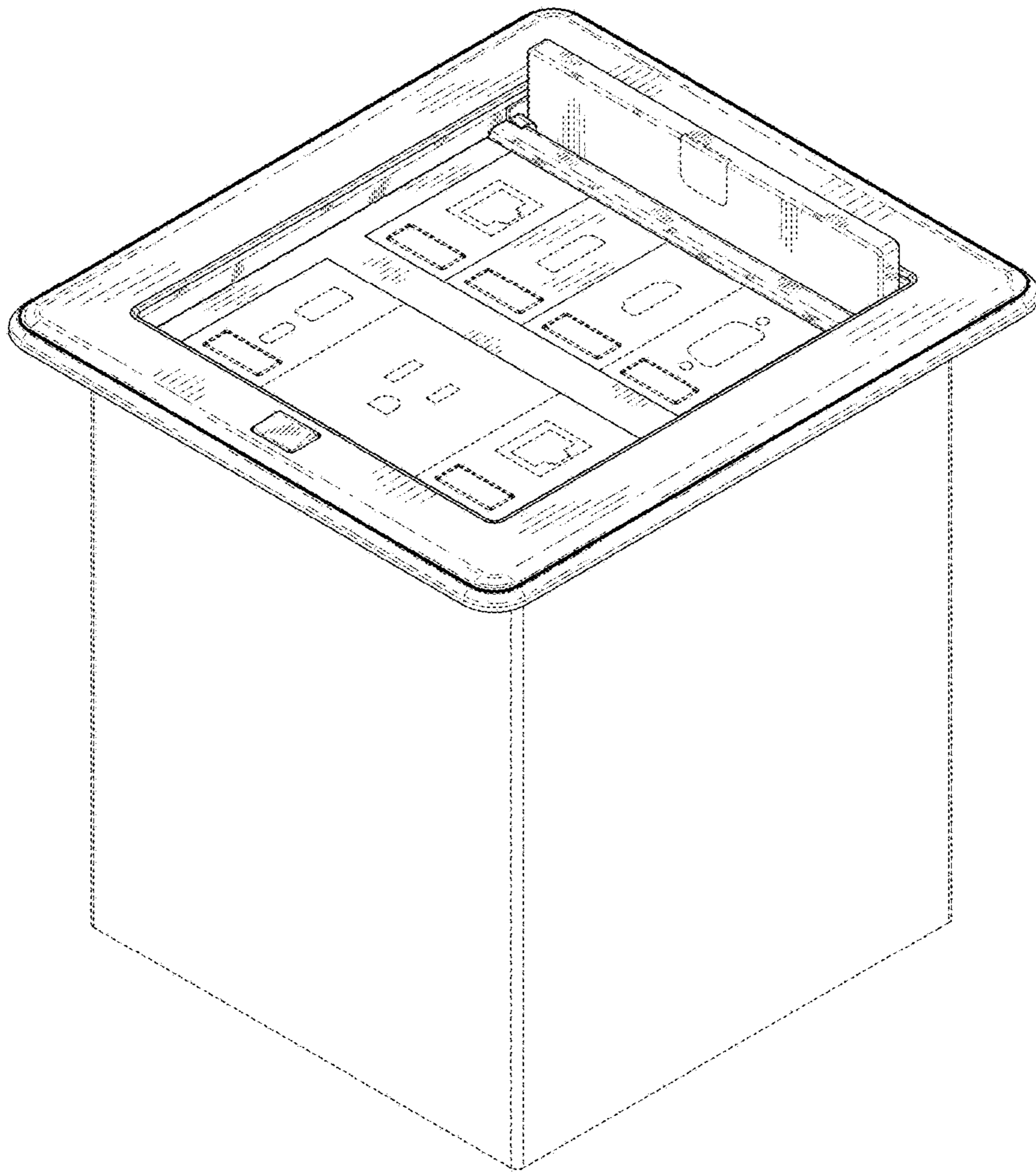


FIG. 10

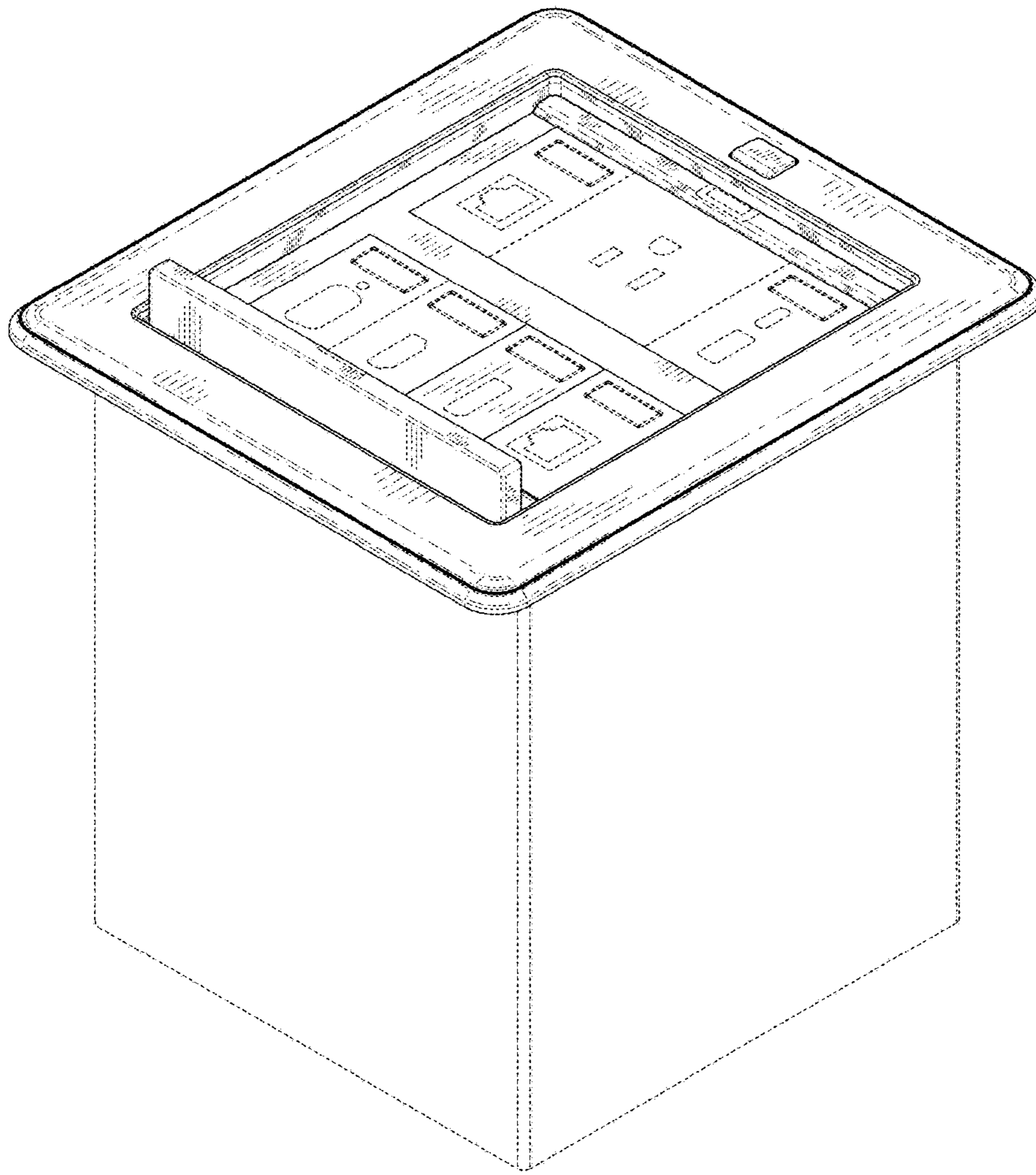


FIG. 11

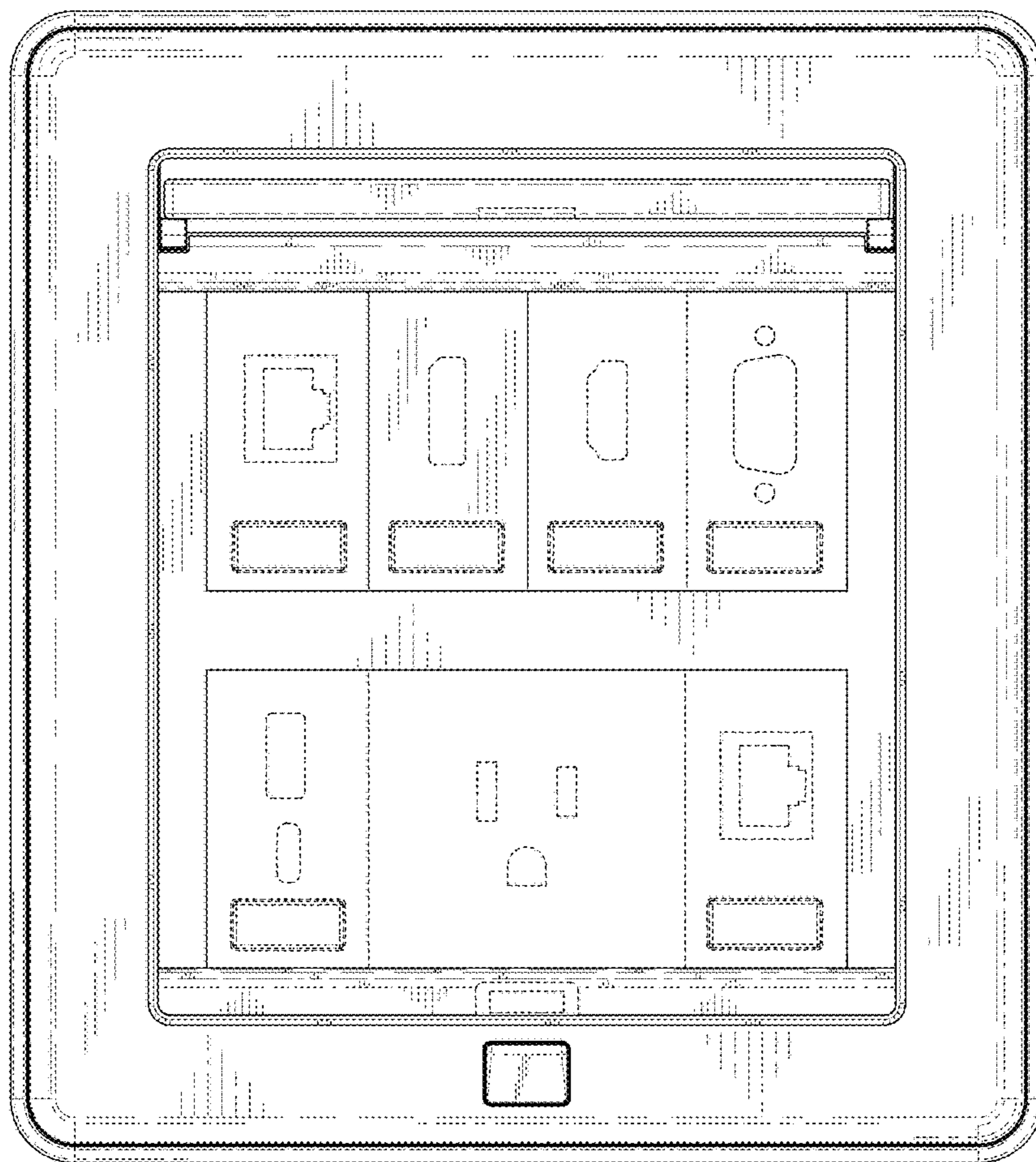


FIG. 12