



US00D863222S

(12) **United States Design Patent**
Kimmel

(10) **Patent No.:** **US D863,222 S**

(45) **Date of Patent:** **** Oct. 15, 2019**

(54) **CONDUCTIVE PIN**

(71) Applicant: **Twisted Ideas, Inc.**, Tappan, NY (US)

(72) Inventor: **Reed Kimmel**, Tappan, NY (US)

(73) Assignee: **Twisted Ideas, Inc.**, Tappan, NY (US)

(**) Term: **15 Years**

(21) Appl. No.: **29/699,895**

(22) Filed: **Jul. 30, 2019**

(51) **LOC (12) Cl.** **13-03**

(52) **U.S. Cl.**

USPC **D13/133**

(58) **Field of Classification Search**

USPC D13/110, 112, 118, 123, 133, 146-149,

D13/154-156, 160, 173, 178, 184, 199

CPC .. F16B 19/04; F16B 23/00; F21S 8/00; G02B

6/38; H01H 33/66; H01H 33/664; H01H

1/02; H01H 11/04; H01H 50/54; H01R

9/05; H01R 13/04; H01R 13/52; H01R

13/58; H01R 13/639; H01R 13/66; H01R

24/66; H01R 31/06; H02H 5/04

See application file for complete search history.

(56) **References Cited**

U.S. PATENT DOCUMENTS

1,181,742 A * 5/1916 Coolidge H01H 1/02

200/268

1,658,713 A * 2/1928 Fuller H01H 1/02

428/661

2,796,495 A * 6/1957 Keitel H01H 1/02372

200/266

D293,710 S * 1/1988 Woods D23/265

4,726,780 A 2/1988 Thackeray

4,904,195 A 2/1990 Thackeray

D320,082 S * 9/1991 Wyatt D24/129

5,893,772 A 4/1999 Carmo et al.

6,358,076 B1 3/2002 Haag

D460,571 S * 7/2002 Schimmelpfennig ... E04C 5/161

D25/135

D470,818 S * 2/2003 Cheng D13/133

D545,664 S * 7/2007 Fields D8/310

D562,987 S * 2/2008 Colin D24/224

7,658,505 B2 2/2010 Howell

D642,548 S * 8/2011 Bowen, III D13/183

D678,516 S * 3/2013 Wong D24/121

D726,365 S * 4/2015 Weigensberg D27/101

9,450,348 B2 9/2016 O'Rourke

(Continued)

FOREIGN PATENT DOCUMENTS

CA 2658172 A1 9/2010

WO 03034548 A1 4/2003

OTHER PUBLICATIONS

Tungsten Copper Rivet Electrical Contact, dated Oct. 28, 2016, [online], [site visited Aug. 26, 2019]. Available from Internet, URL: <http://www.tungsten-copper.com/tungsten-copper-rivet-electrical-contact.html> (Year: 2016).*

(Continued)

Primary Examiner — Angela J Lee

Assistant Examiner — Shawn T Gingrich

(74) *Attorney, Agent, or Firm* — Werschulz Patent Law, LLC; Patricia P. Werschulz, Esq.

(57) **CLAIM**

The ornamental design for a conductive pin, as shown and described.

DESCRIPTION

FIG. 1 is a perspective view of a conductive pin from above, showing my new design;

FIG. 2 is a bottom perspective view from below;

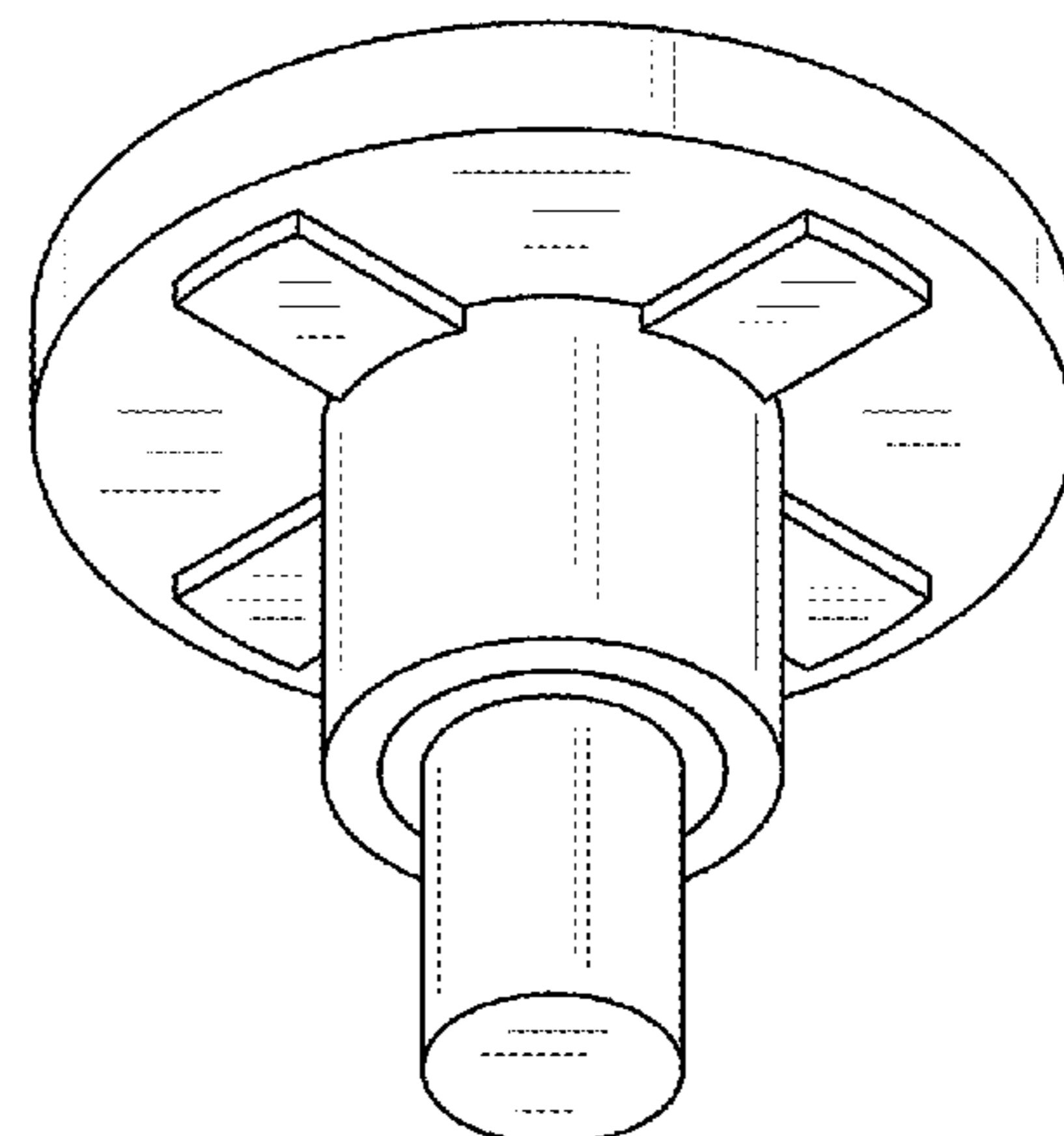
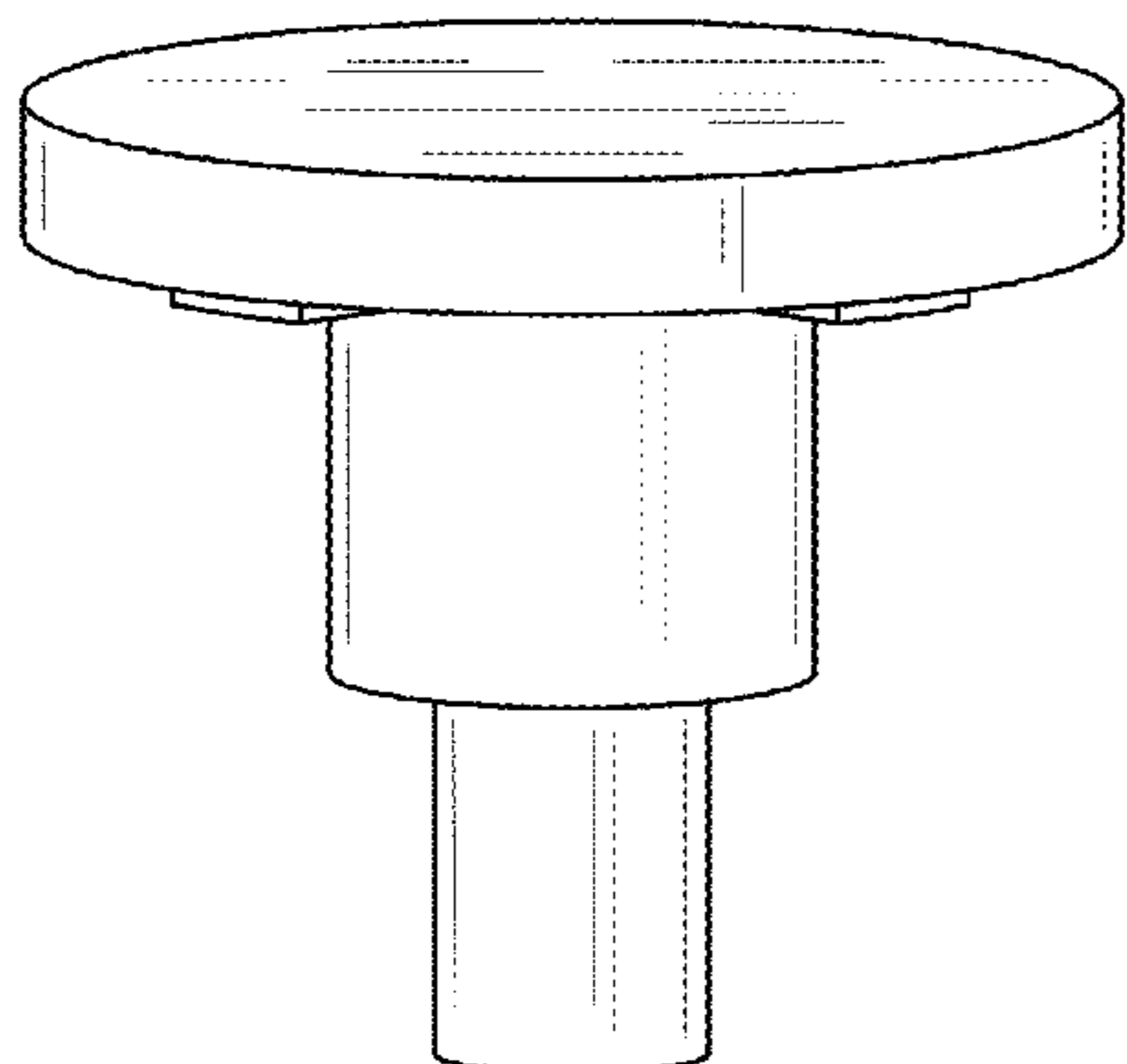
FIG. 3 is a top plan view thereof;

FIG. 4 is a bottom plan view thereof;

FIG. 5 is a left side elevational view thereof, the right side elevational view being identical; and,

FIG. 6 is a front elevational view thereof, the rear elevational view being identical.

1 Claim, 3 Drawing Sheets



(56)

References Cited

U.S. PATENT DOCUMENTS

D805,193 S * 12/2017 Shoji D24/129
D813,552 S * 3/2018 Katsuma D4/122
D837,346 S * 1/2019 Lee D23/262
D847,595 S * 5/2019 Hampton D8/14
2013/0022782 A1* 1/2013 Babej F16B 37/068
428/131
2015/0086036 A1* 3/2015 Wang H04R 1/08
381/91
2016/0091008 A1* 3/2016 Cerfeuille F16B 19/10
29/451
2016/0093995 A1* 3/2016 Carbone H01R 13/426
439/733.1
2017/0244187 A1* 8/2017 Ostermann H01R 13/04
2019/0215997 A1* 7/2019 Hirooka H05K 13/0409

OTHER PUBLICATIONS

Anonymous, Capstone Light with Sound Bath Vanity Light, Amazon.com, https://www.amazon.com/Capstone-Light-Sound-Bath-Vanity/dp/B01HTZVUPC/ref=sr_1_1?keywords=Capstone+Light+with+Sound+Bath+Vanity+Light%3A+Home+%26+Kitchen&qid=1564163295&s=gateway&sr=8-1; Accessed Jul. 18, 2018.

Anonymous, Hubbell HBL7485 AC Plug NEMA ML-3P Male Black—Our Item #: 9327, <https://www.stayonline.com/detail.aspx?id=14040,Published/Accessed: Jul. 27, 2018>.

Anonymous, Lev-Lok Advantage: A faster, safer & more accurate connection, <https://www.leviton.com/en/products/brands/levlok>.

Anonymous, RV-Power-Cord Adapter, URL: <https://leisurecw.com/product/rv-power-cord-adapter-15-amp-male-to-50-amp-twist-lock-female-camper-detachable/> Published/Accessed: Jul. 27, 2018.

* cited by examiner

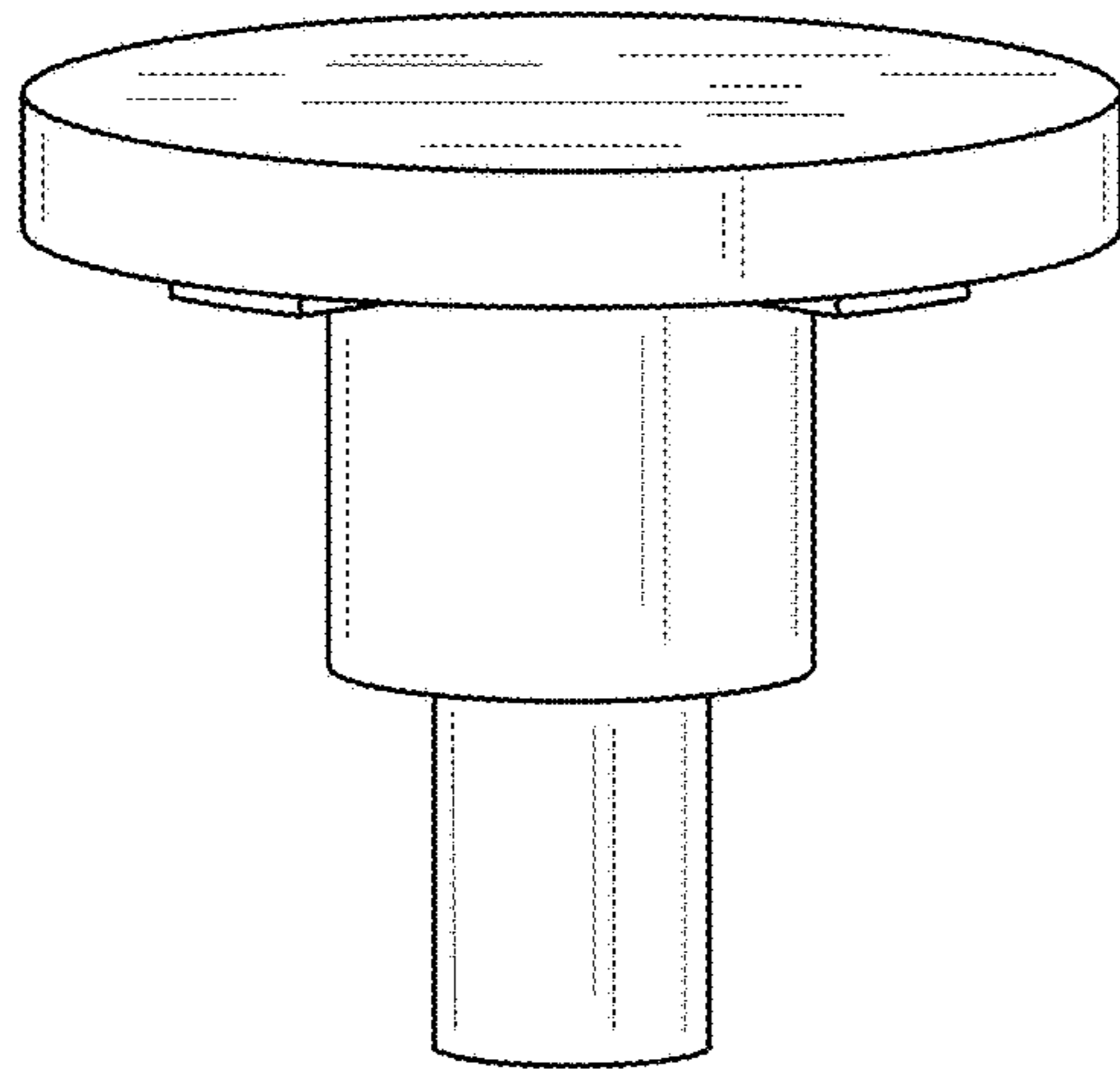


FIG. 1

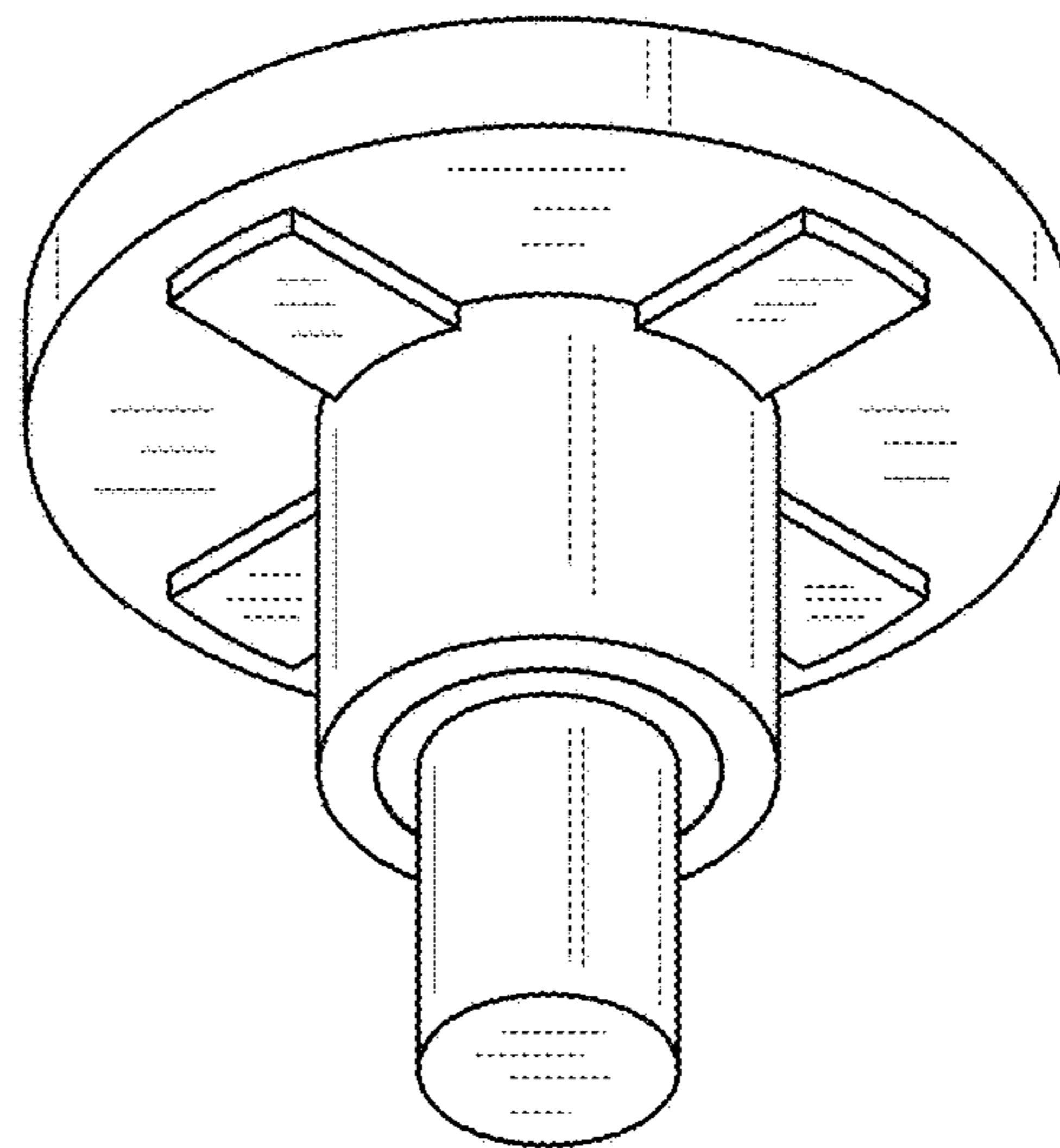


FIG. 2

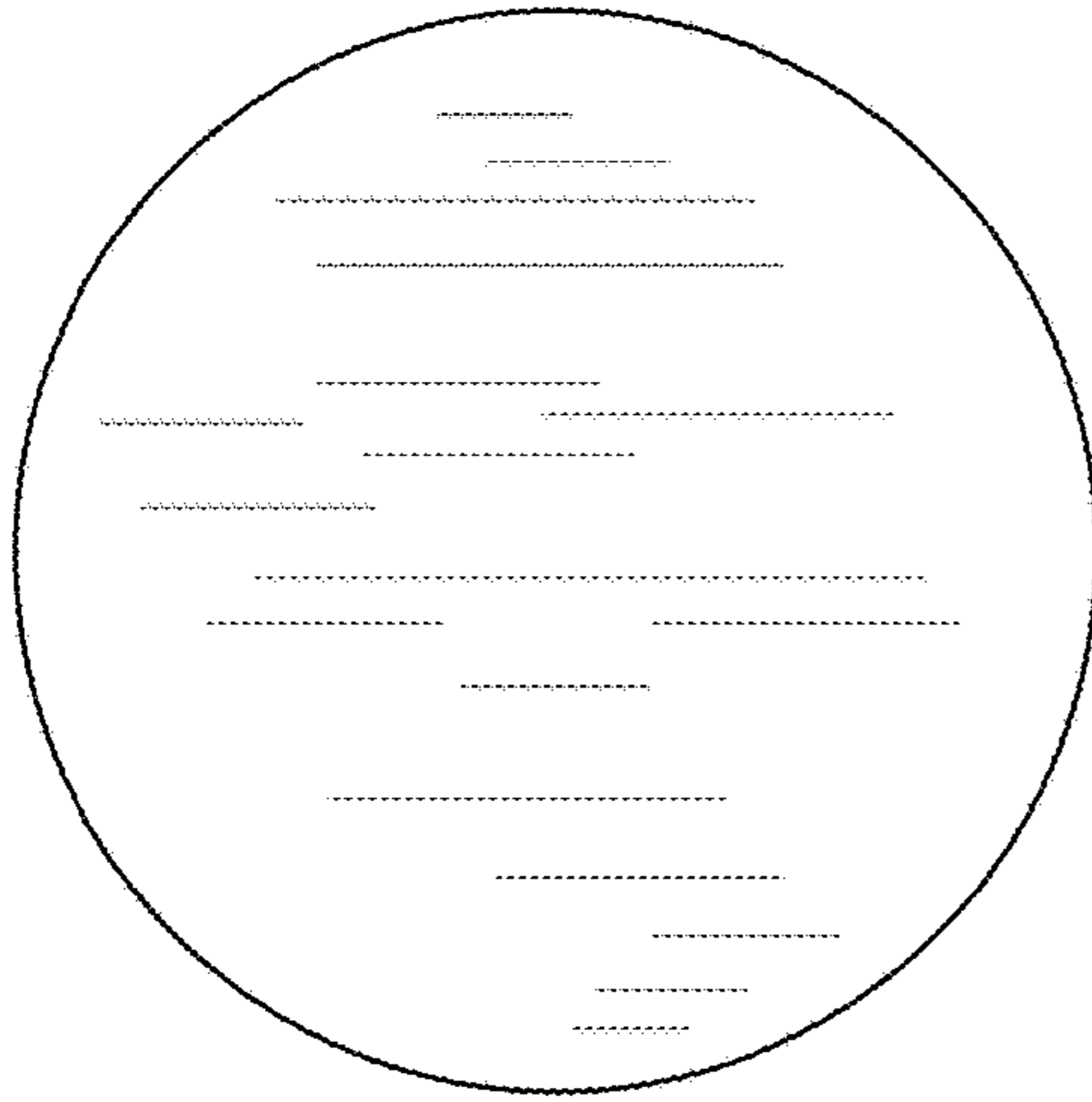


FIG. 3

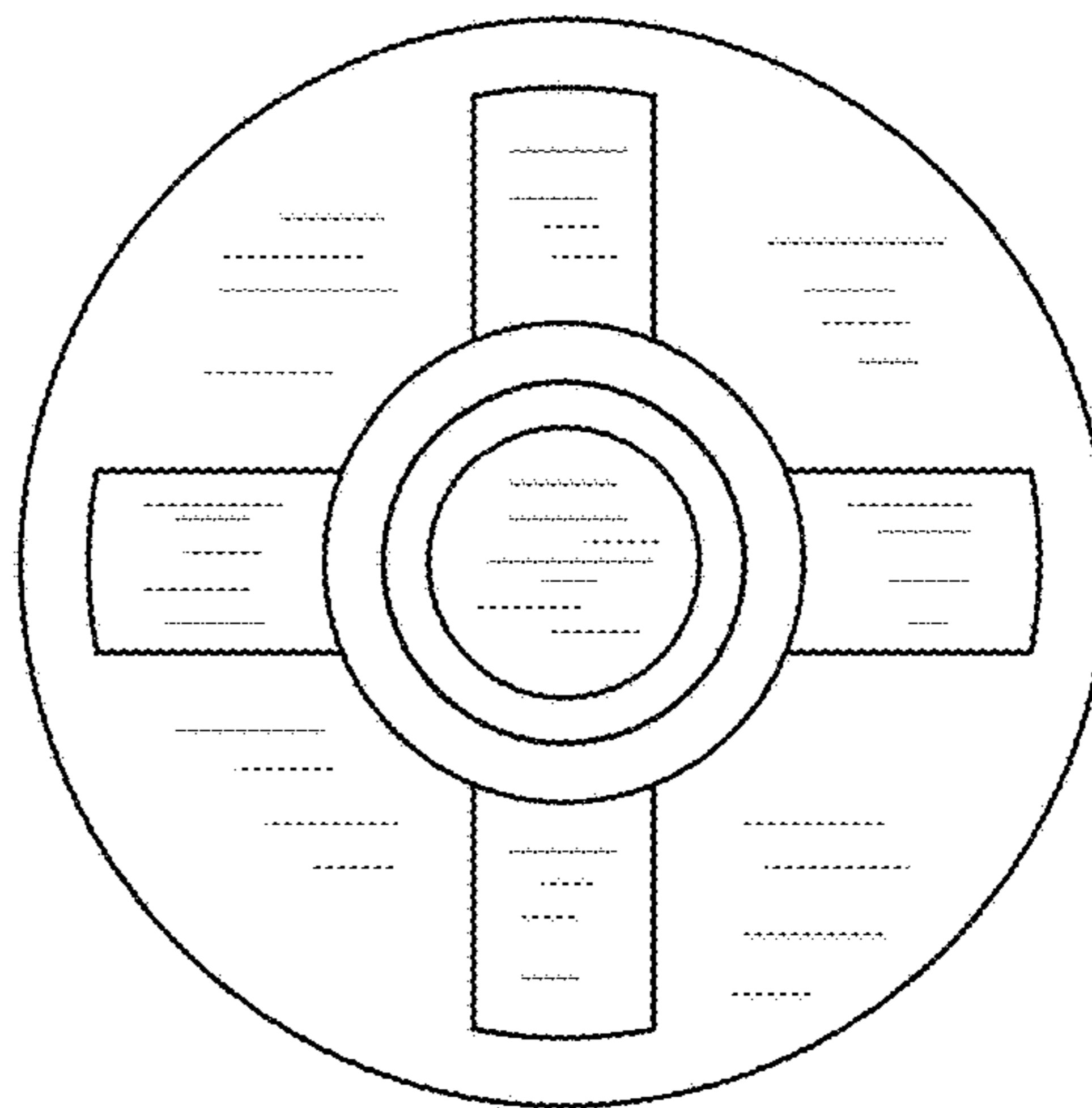


FIG. 4

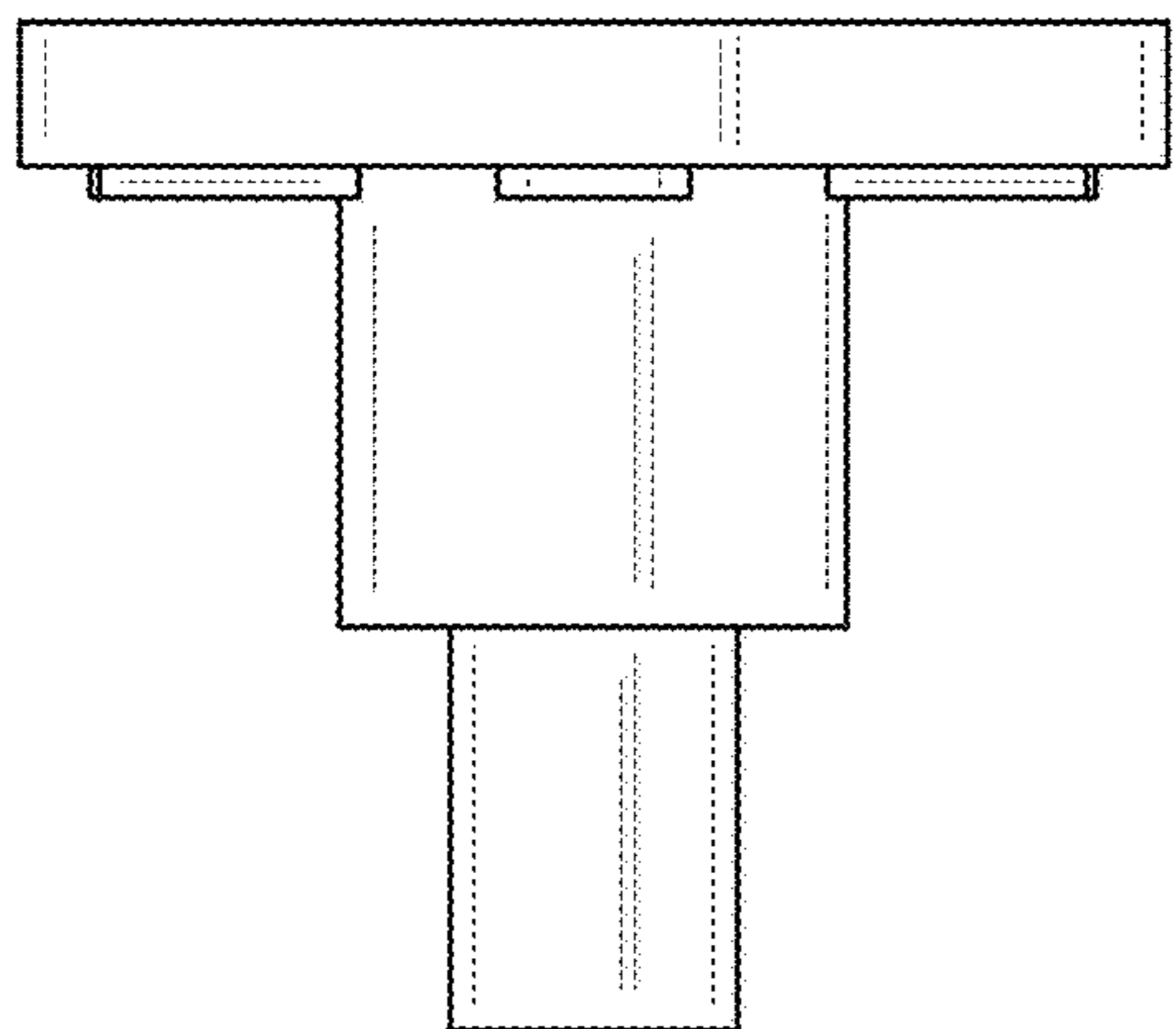


FIG. 5

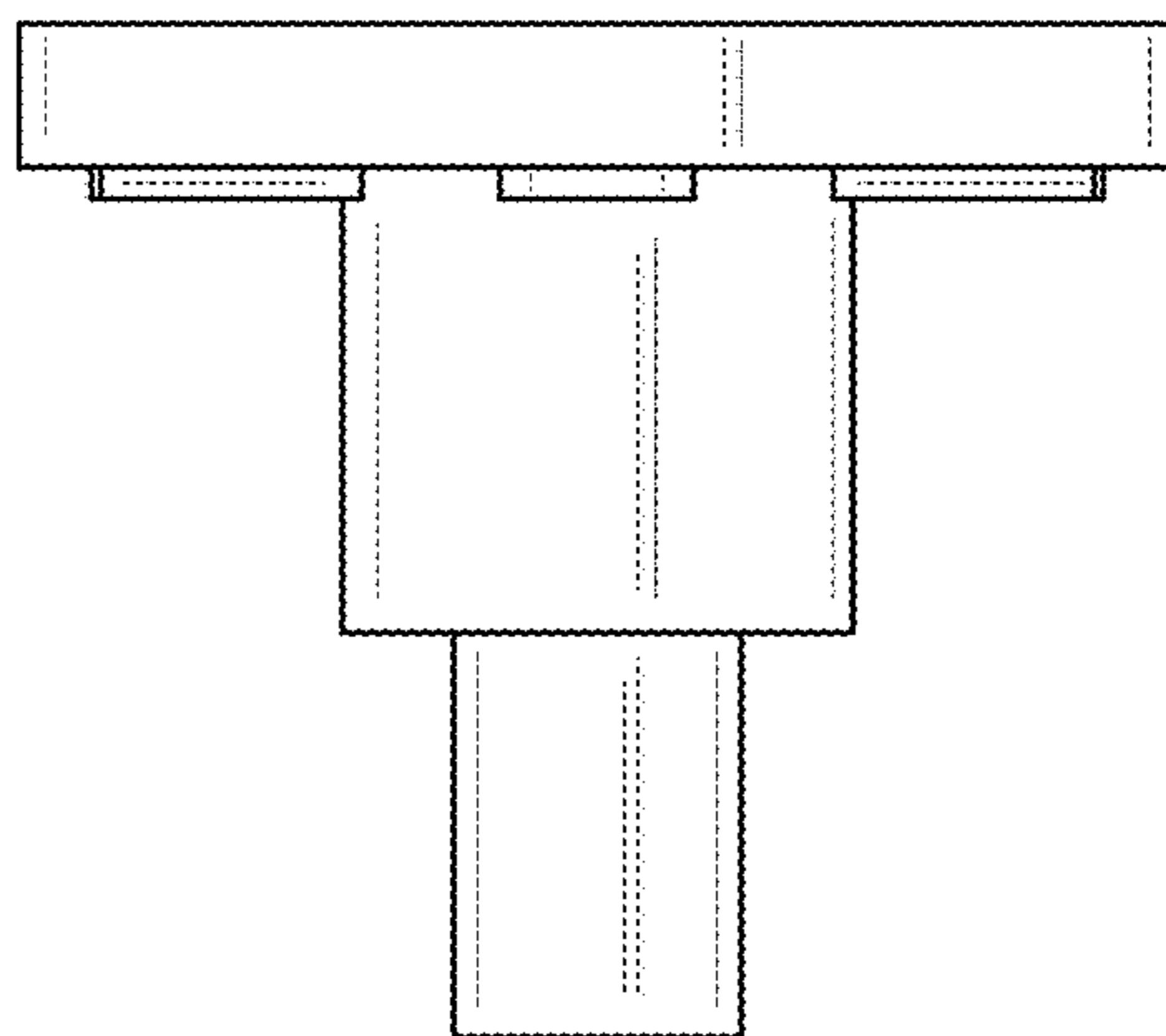


FIG. 6