



US00D863221S

(12) **United States Design Patent** (10) **Patent No.:** **US D863,221 S**  
**Patenaude et al.** (45) **Date of Patent:** **\*\* Oct. 15, 2019**

(54) **ILLUMINABLE FEMALE CONNECTOR**  
(71) Applicant: **INTERLEMO HOLDING SA,**  
Ecublens (CH)  
(72) Inventors: **Alexandre Patenaude,**  
Thonon-les-Bains (FR); **Serge Buechli,**  
Lausanne (CH)  
(73) Assignee: **Interlemo Holding SA,** Ecublens (CH)  
(\*\*) Term: **15 Years**  
(21) Appl. No.: **29/557,039**  
(22) Filed: **Mar. 4, 2016**  
(30) **Foreign Application Priority Data**

Sep. 4, 2015 (CH) ..... 141829  
(51) **LOC (12) Cl.** ..... **13-03**  
(52) **U.S. Cl.**  
USPC ..... **D13/133**  
(58) **Field of Classification Search**  
USPC ..... D13/110, 123, 133, 137.1, 139.1, 139.4,  
D13/151, 152, 154, 155, 156, 158, 162,  
(Continued)

(56) **References Cited**  
**U.S. PATENT DOCUMENTS**  
2,410,618 A 11/1946 Zelov  
3,287,031 A 11/1966 Simmons et al.  
(Continued)

**OTHER PUBLICATIONS**  
Fischer FiberOptic Series:Connect2, Fischer Connectors SA, Swit-  
zerland, Mar. 2014.  
(Continued)

*Primary Examiner* — Derrick E Holland  
*Assistant Examiner* — Jennifer O King

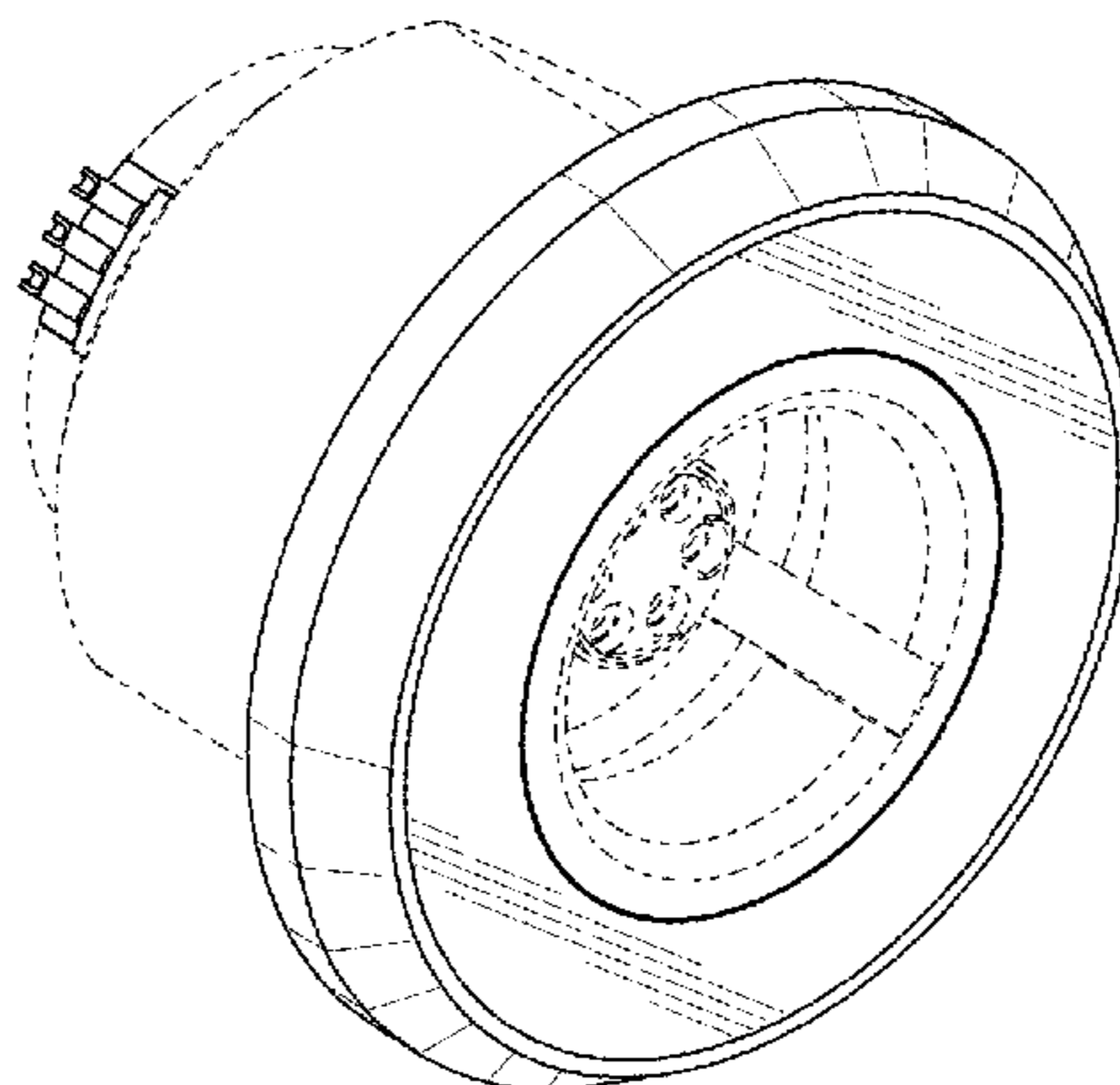
(74) *Attorney, Agent, or Firm* — McCarter & English,  
LLP; David R. Burns

(57) **CLAIM**  
The ornamental design for an illuminable female connector,  
as shown and described.

**DESCRIPTION**

The file of this patent contains at least one drawing executed  
in color. Copies of this patent with color drawing(s) will be  
provided by the Office upon request and payment of the  
necessary fee.  
FIG. 1 is a front perspective view of an illuminable female  
connector showing the design;  
FIG. 2 is a front elevation view thereof;  
FIG. 3 is a rear elevation view thereof;  
FIG. 4 is a left side elevation view thereof;  
FIG. 5 is a right side elevation view thereof;  
FIG. 6 is a top plan view thereof;  
FIG. 7 is a bottom plan view thereof;  
FIG. 8 is a front perspective view of an illuminable female  
connector with a lamp illuminated showing the design;  
FIG. 9 is a front elevation view thereof;  
FIG. 10 is a rear elevation view thereof;  
FIG. 11 is a left side elevation view thereof;  
FIG. 12 is a right side elevation view thereof;  
FIG. 13 is a top plan view thereof;  
FIG. 14 is a bottom plan view thereof;  
FIG. 15 is a front perspective view of an illuminable female  
connector with a lamp illuminated showing the design;  
FIG. 16 is a front elevation view thereof;  
FIG. 17 is a rear elevation view thereof;  
FIG. 18 is a left side elevation view thereof;  
FIG. 19 is a right side elevation view thereof;  
FIG. 20 is a top plan view thereof; and,  
FIG. 21 is a bottom plan view thereof.  
The portions of the illuminable female connector shown in  
broken lines form no part of the claimed design.

**1 Claim, 12 Drawing Sheets**  
**(4 of 12 Drawing Sheet(s) Filed in Color)**



(58) **Field of Classification Search**  
 USPC ..... D13/164, 173, 177, 184; D8/349–351,  
 D8/353; 174/67, 66; D10/49;  
 439/147–149, 373, 391, 535, 536, 538  
 CPC ..... H02G 11/02; B65H 2701/3919; B65H  
 75/48; H01R 13/72  
 See application file for complete search history.

(56) **References Cited**  
 U.S. PATENT DOCUMENTS

3,291,895 A \* 12/1966 Van Dyke ..... H01R 9/0503  
 174/663  
 D225,740 S 1/1973 Thompson  
 3,810,073 A 5/1974 Zajac et al.  
 4,155,619 A 5/1979 Bray et al.  
 4,191,443 A 3/1980 Doyle  
 4,229,064 A 10/1980 Vetter et al.  
 4,268,115 A 5/1981 Slemon et al.  
 4,316,647 A 2/1982 Bailey et al.  
 4,330,166 A 5/1982 Cooper et al.  
 4,412,717 A 11/1983 Monroe  
 4,422,716 A 12/1983 Morimoto et al.  
 4,437,726 A 3/1984 Lambert  
 4,448,470 A 5/1984 Peterson  
 4,472,012 A 9/1984 Michaels  
 4,614,029 A 9/1986 Neumann et al.  
 4,647,127 A 3/1987 Weingartner  
 4,657,327 A 4/1987 Weingartner  
 4,685,758 A 8/1987 Yoshida  
 4,708,662 A 11/1987 Klein  
 4,726,788 A 2/1988 F'Geppert  
 4,762,389 A 8/1988 Kaihara  
 4,770,443 A 9/1988 Yamamoto  
 D300,425 S 3/1989 Sumita  
 4,812,136 A 3/1989 Molitor  
 4,820,204 A 4/1989 Batty  
 4,834,678 A 5/1989 Emadi  
 4,891,021 A 1/1990 Hayes et al.  
 4,915,421 A 4/1990 Dennany, Jr.  
 4,936,662 A 6/1990 Griffin  
 4,938,718 A 7/1990 Guendel  
 5,042,891 A 8/1991 Mulholland et al.  
 5,067,909 A 11/1991 Behning  
 5,101,463 A 3/1992 Cubukciyan et al.  
 5,127,843 A 7/1992 Henry et al.  
 5,195,905 A 3/1993 Pesci  
 5,212,752 A 5/1993 Stephenson et al.  
 5,265,183 A 11/1993 Feng et al.  
 5,288,243 A 2/1994 Mergless  
 5,356,315 A 10/1994 Jankowski et al.  
 5,394,494 A 2/1995 Jennings et al.  
 5,449,302 A 9/1995 Yarbrough et al.  
 D368,697 S 4/1996 Hoard  
 D372,221 S 7/1996 Anthony  
 5,637,010 A 6/1997 Jost et al.  
 5,666,970 A 9/1997 Smith  
 5,683,270 A 11/1997 Warislohner  
 5,704,809 A 1/1998 Davis  
 5,727,963 A 3/1998 LeMaster  
 5,746,619 A 5/1998 Harting et al.  
 D396,013 S \* 7/1998 Luebke ..... D10/78  
 5,890,929 A 4/1999 Mills et al.  
 5,984,378 A 11/1999 Ostrander et al.  
 6,032,358 A \* 3/2000 Wild ..... H01R 9/0524  
 29/857

6,045,404 A 4/2000 Myer  
 6,056,577 A 5/2000 Blanchet  
 D434,003 S 11/2000 Brisson  
 6,161,579 A 12/2000 Vulliet  
 D438,844 S 3/2001 Meyer et al.  
 6,290,525 B1 9/2001 Jacobi  
 6,296,508 B1 10/2001 Kuwahara et al.  
 6,416,334 B1 7/2002 Plishner  
 D461,166 S \* 8/2002 Montena ..... D13/133  
 D461,778 S 8/2002 Fox  
 6,454,613 B2 9/2002 Valceschini  
 6,508,669 B2 1/2003 Wang  
 D494,136 S 8/2004 Vesecky  
 6,796,812 B2 9/2004 Reicharz  
 D501,826 S 2/2005 Bachmann  
 D512,378 S 12/2005 Dobler  
 D512,965 S 12/2005 Dobler  
 7,309,255 B2 \* 12/2007 Rodrigues ..... H01R 9/0524  
 439/578  
 7,326,091 B2 2/2008 Nania et al.  
 D566,653 S 4/2008 Sakamoto  
 D582,850 S 12/2008 Andre  
 7,458,851 B2 \* 12/2008 Montena ..... H01R 9/0521  
 439/584  
 D585,837 S \* 2/2009 Kuehne ..... D13/146  
 D596,127 S 7/2009 Nania et al.  
 D599,290 S \* 9/2009 Lee ..... D13/137.2  
 D601,966 S 10/2009 Shaw  
 D615,932 S 5/2010 Nania et al.  
 D616,825 S 6/2010 Nania et al.  
 7,805,838 B2 10/2010 Morana et al.  
 7,938,670 B2 5/2011 Nania et al.  
 D649,121 S 11/2011 Urban  
 D662,063 S 6/2012 Eriksen et al.  
 D664,504 S 7/2012 Alrutz  
 8,225,475 B2 7/2012 Strange et al.  
 D668,620 S 10/2012 Convert et al.  
 D678,923 S \* 3/2013 Stolz ..... D15/138  
 8,449,314 B1 5/2013 Feist et al.  
 D692,384 S \* 10/2013 Galloway ..... D13/138.1  
 8,597,034 B2 12/2013 Morana et al.  
 8,636,551 B2 1/2014 Skidmore  
 9,017,102 B2 \* 4/2015 Natoli ..... H01R 9/0524  
 439/578  
 9,548,572 B2 \* 1/2017 Burris ..... H01R 9/0521  
 2002/0182924 A1 12/2002 Mo  
 2009/0186503 A1 7/2009 Dobler  
 2011/0294335 A1 12/2011 Sagdic et al.  
 2014/0073164 A1 3/2014 Convert et al.

OTHER PUBLICATIONS

Fischer FiberOptic Series: Connect2, Technical Specification, Fischer Connectors SA, Switzerland, Apr. 2014.  
 Fischer Ultimate Bend Relief: Connect2, Fischer Connectors, SA, Sep. 2013.  
 Hypergrip—Push/Pull Plastic Circular Connectors, Hypertronics Corporation, MA, USA Date Unknown.  
 Mini Hypergrip Series, High Reliability Medical Connector, Hypertronics Corporation, MA, USA, 2011.  
 OmneMed Circular Plastic Connector, Omnetic Connector Corporation, MN, USA. Date Unknown.  
 Redel XP series Catalog, Lemo, SA, Switzerland, Nov. 2010.  
 Redel P Series Catalog, Lemo, SA, Switzerland, Oct. 2008.

\* cited by examiner

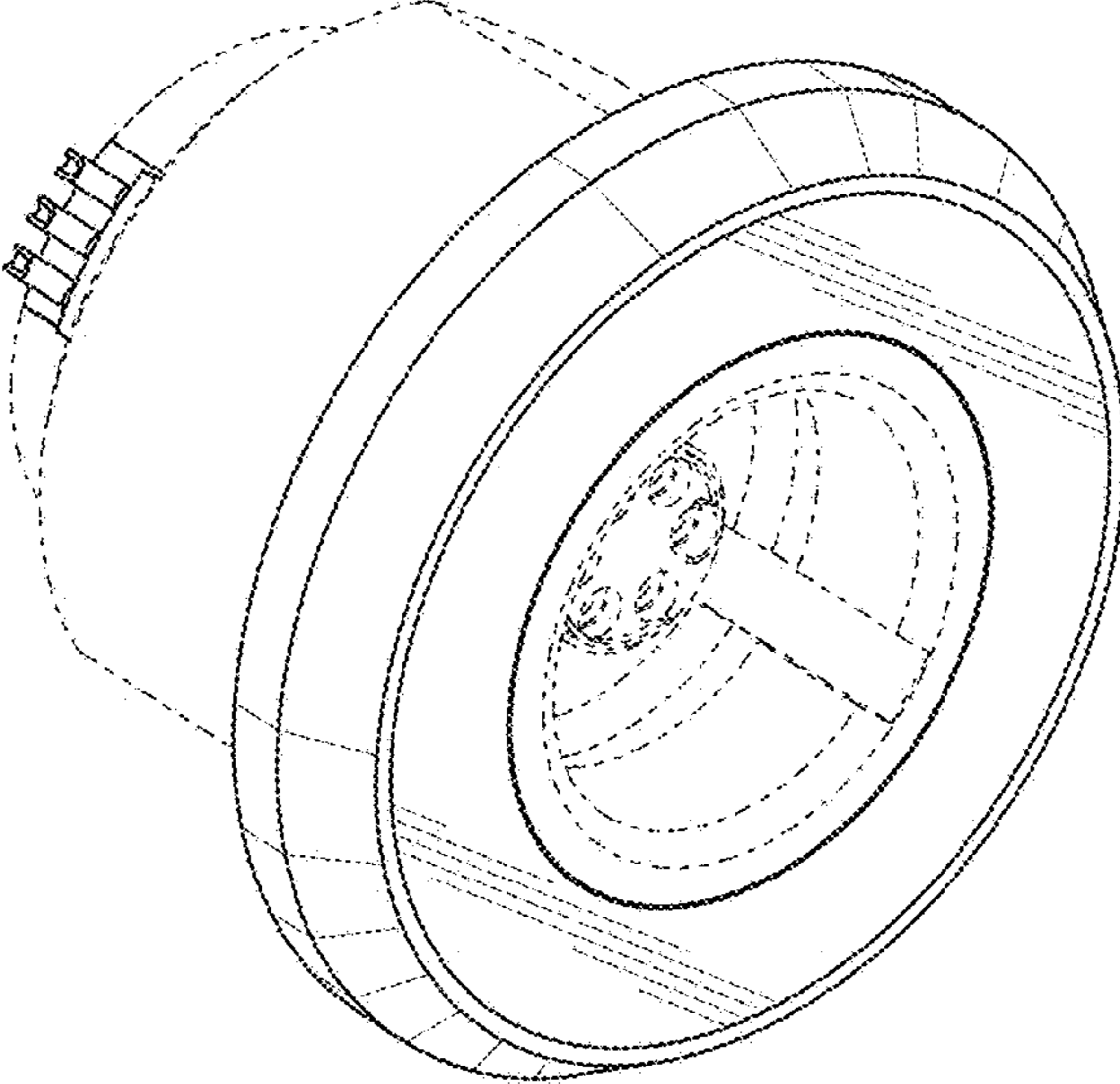


FIG. 1



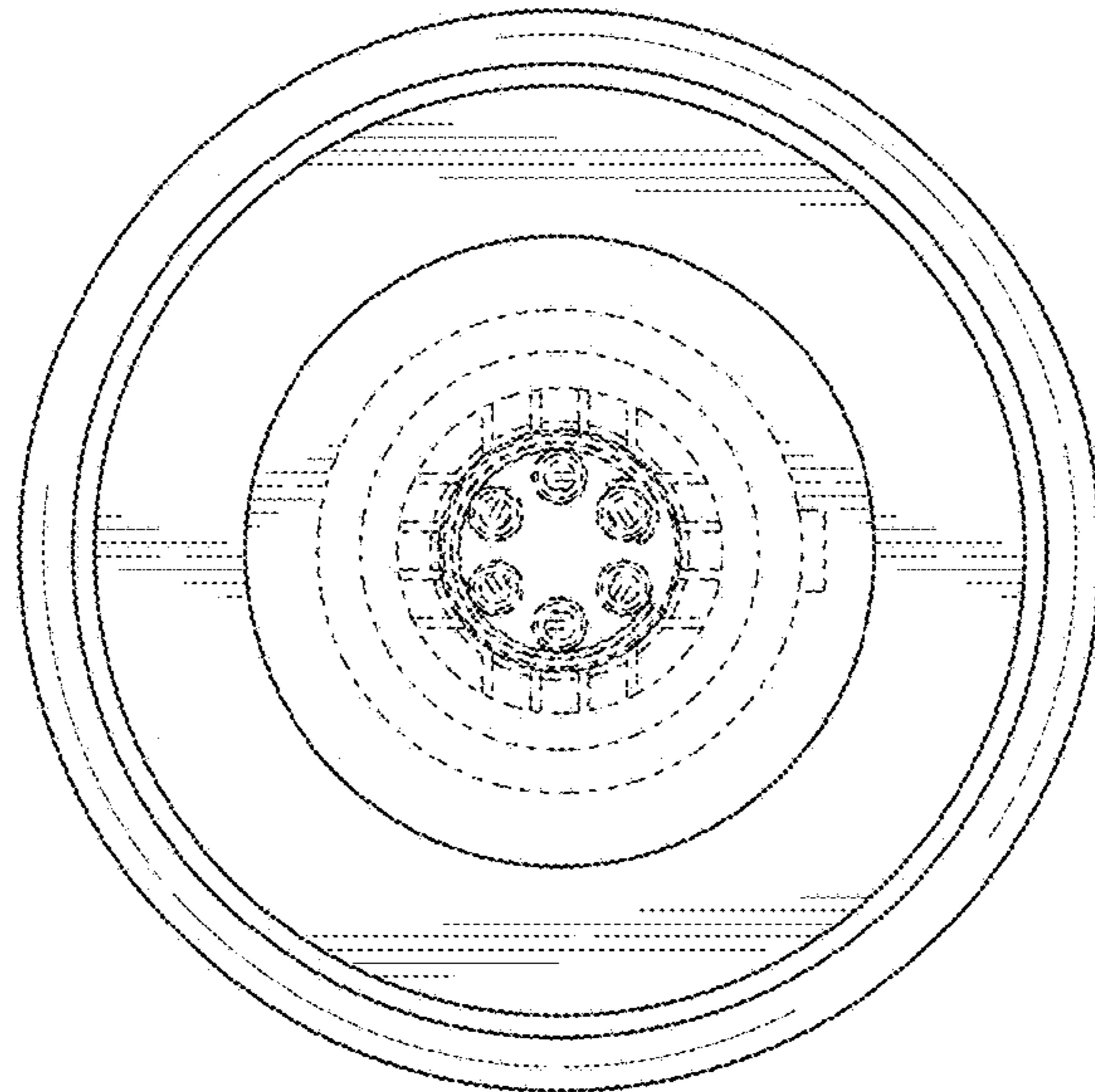


FIG. 2

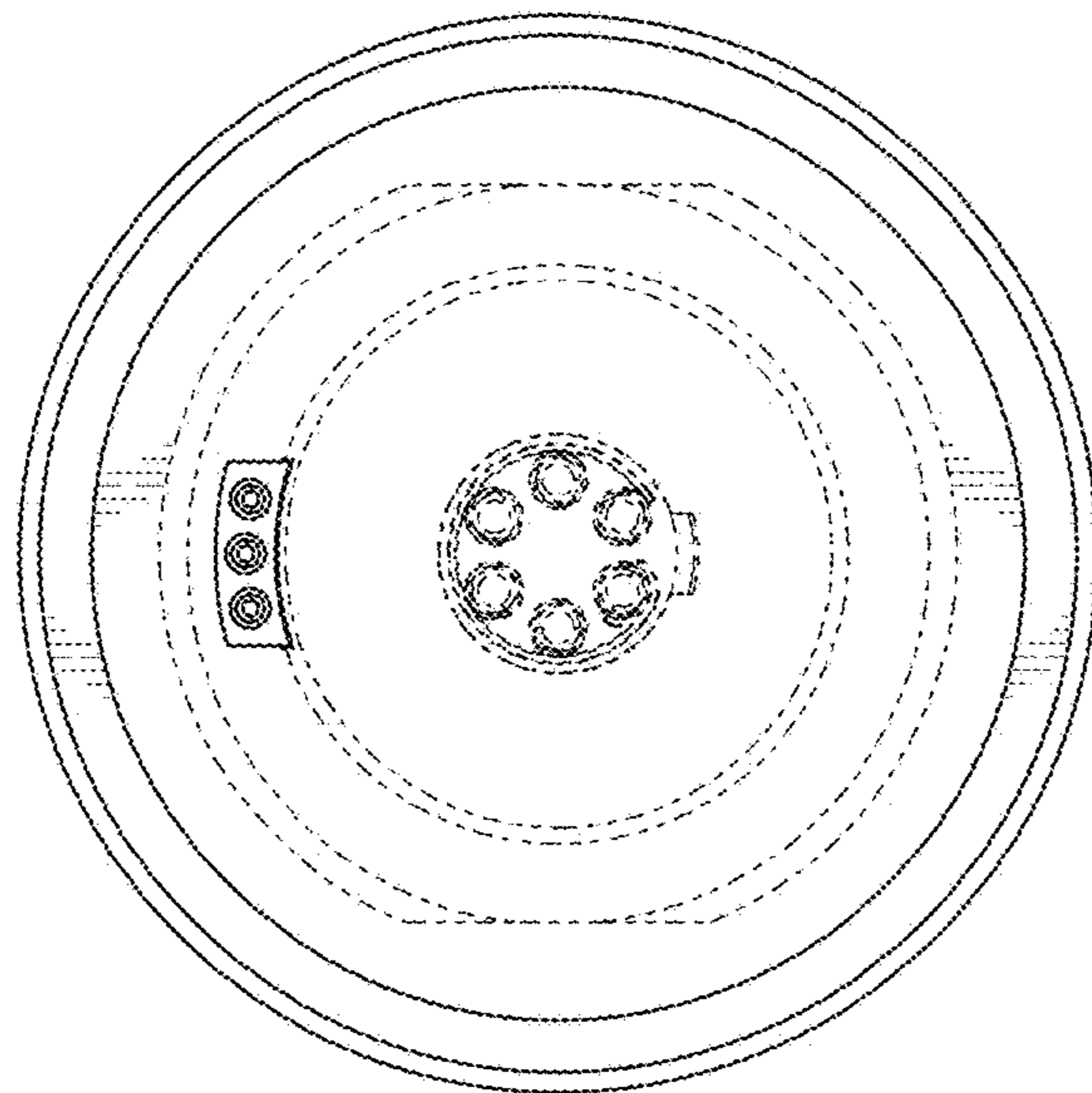


FIG. 3

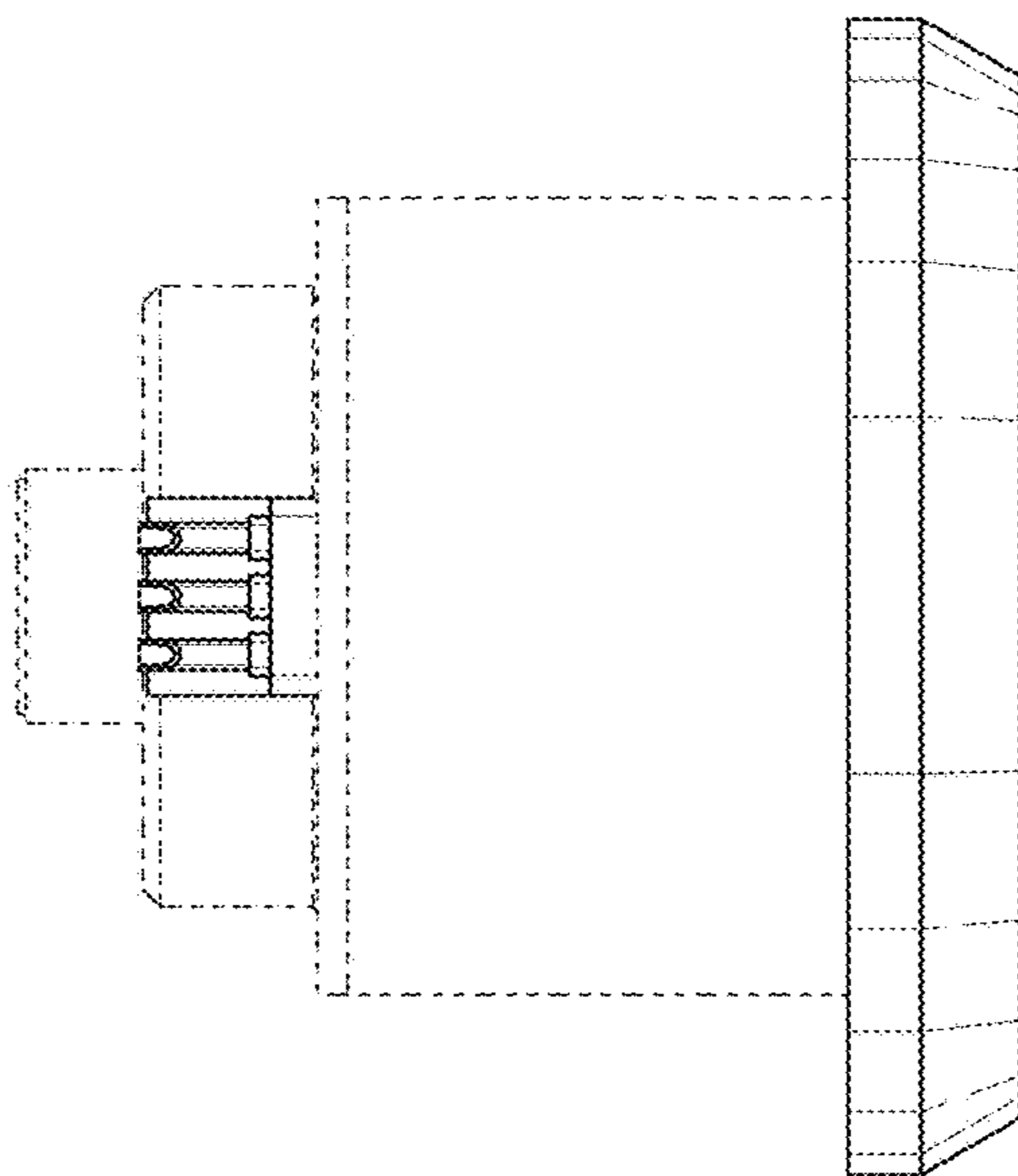


FIG. 4

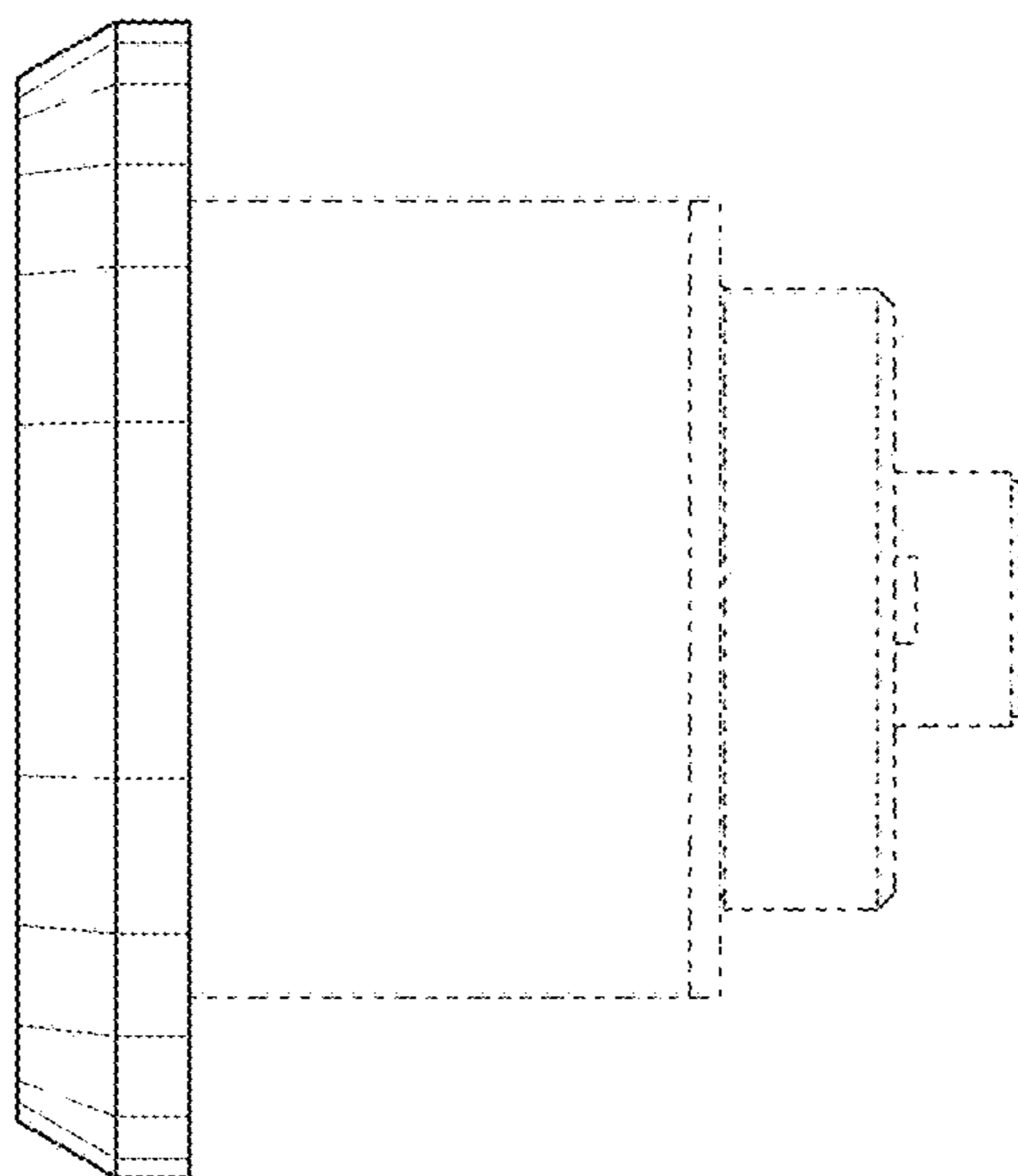


FIG. 5

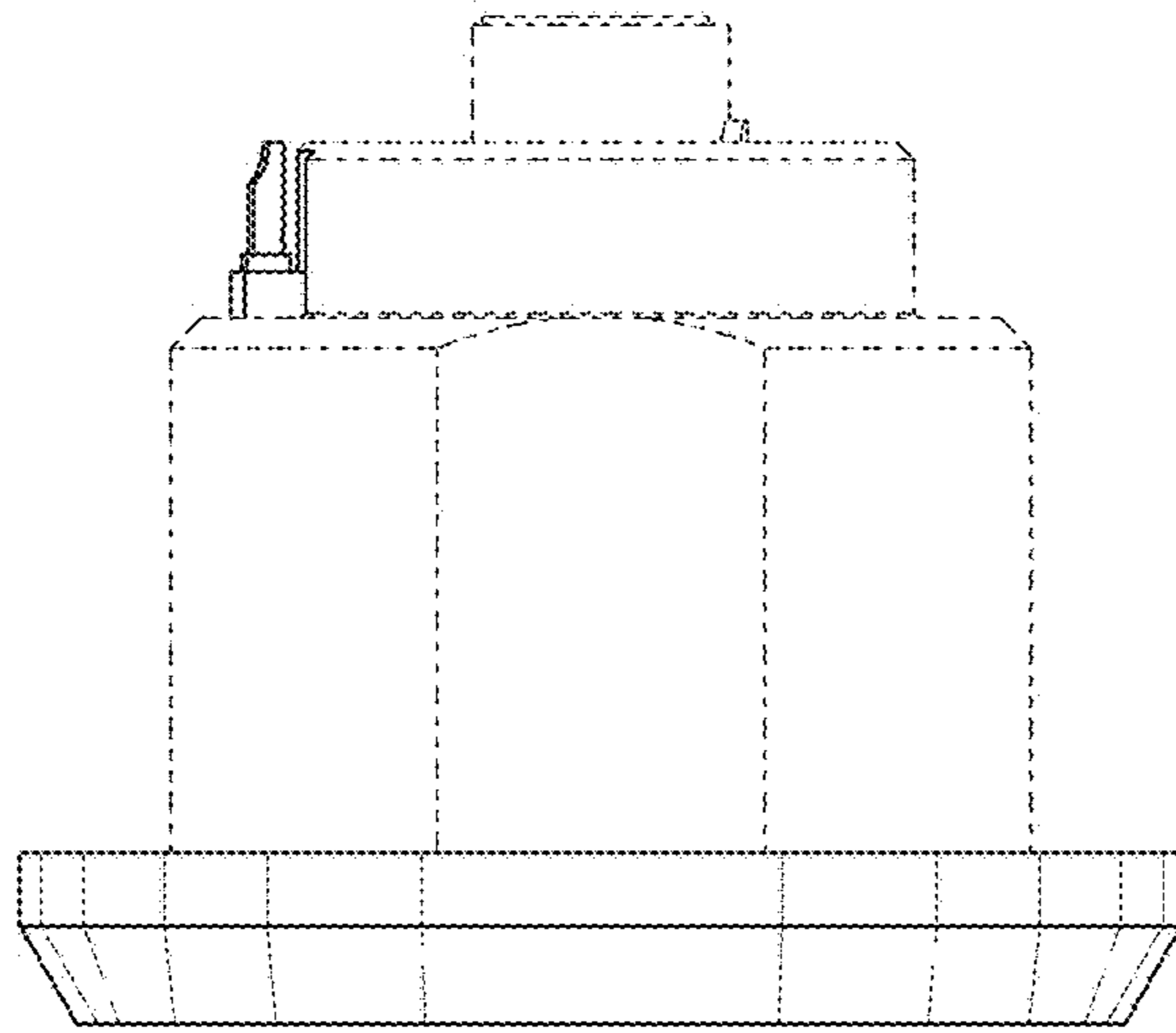


FIG. 6

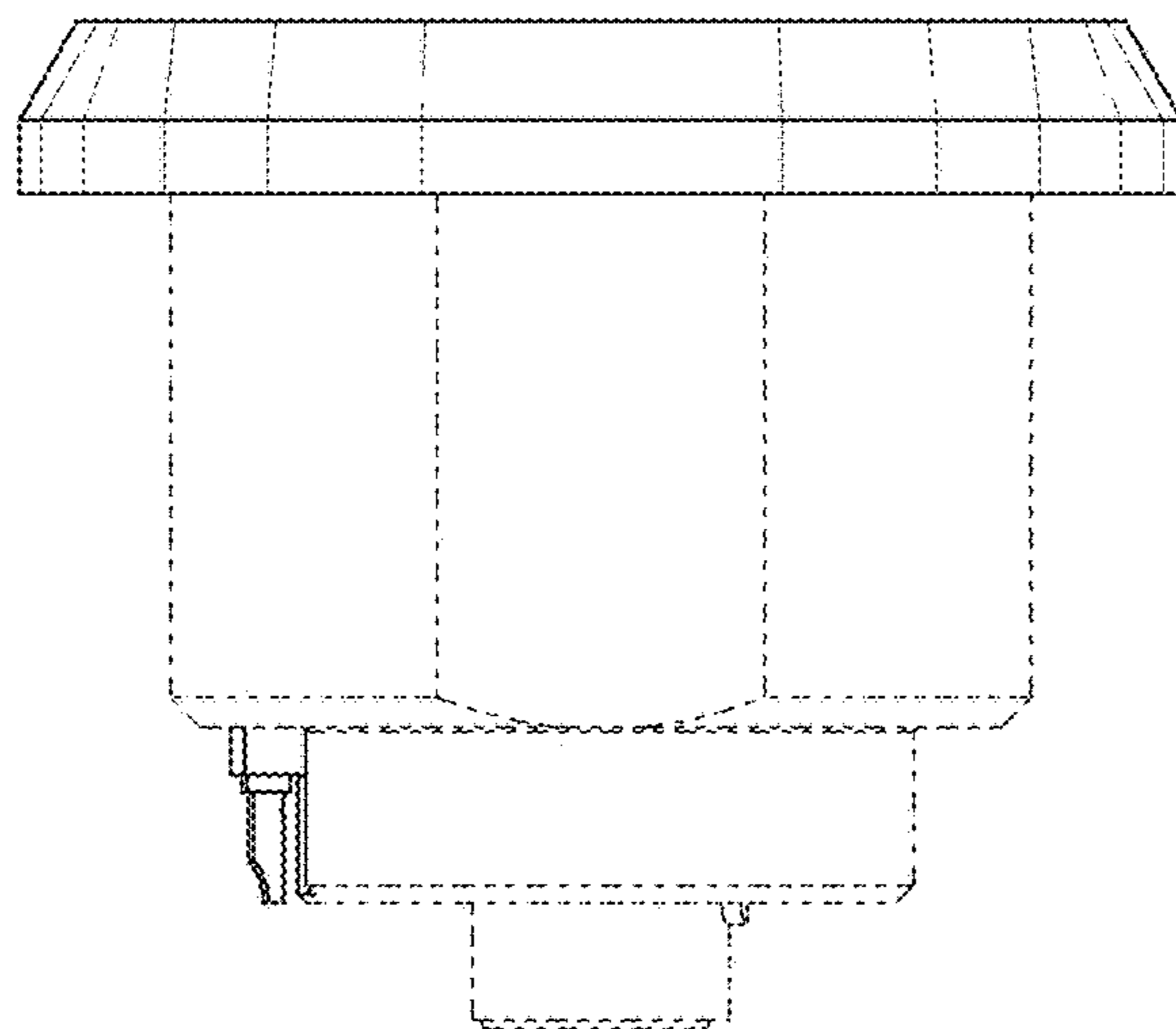


FIG. 7

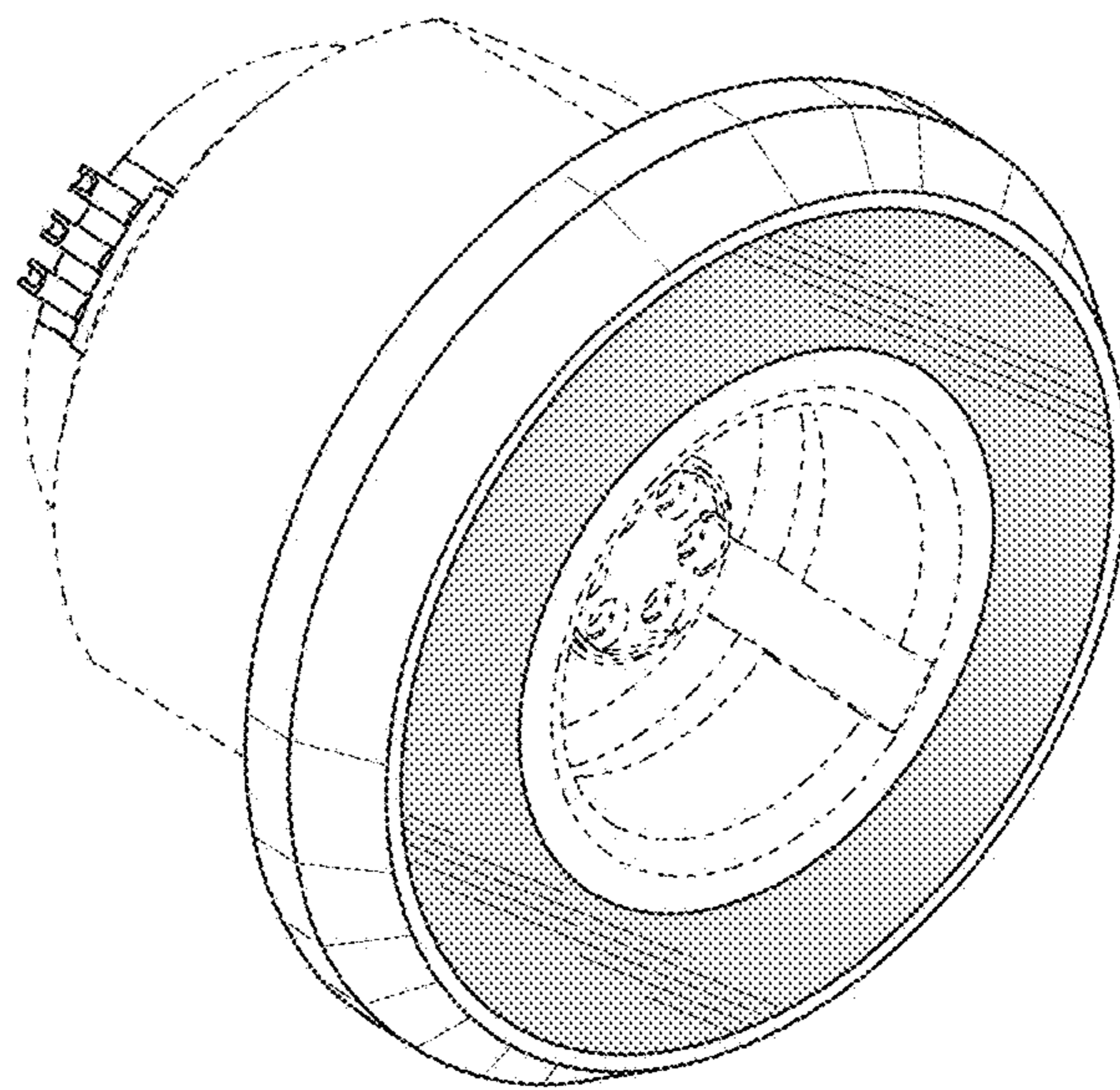


FIG. 8

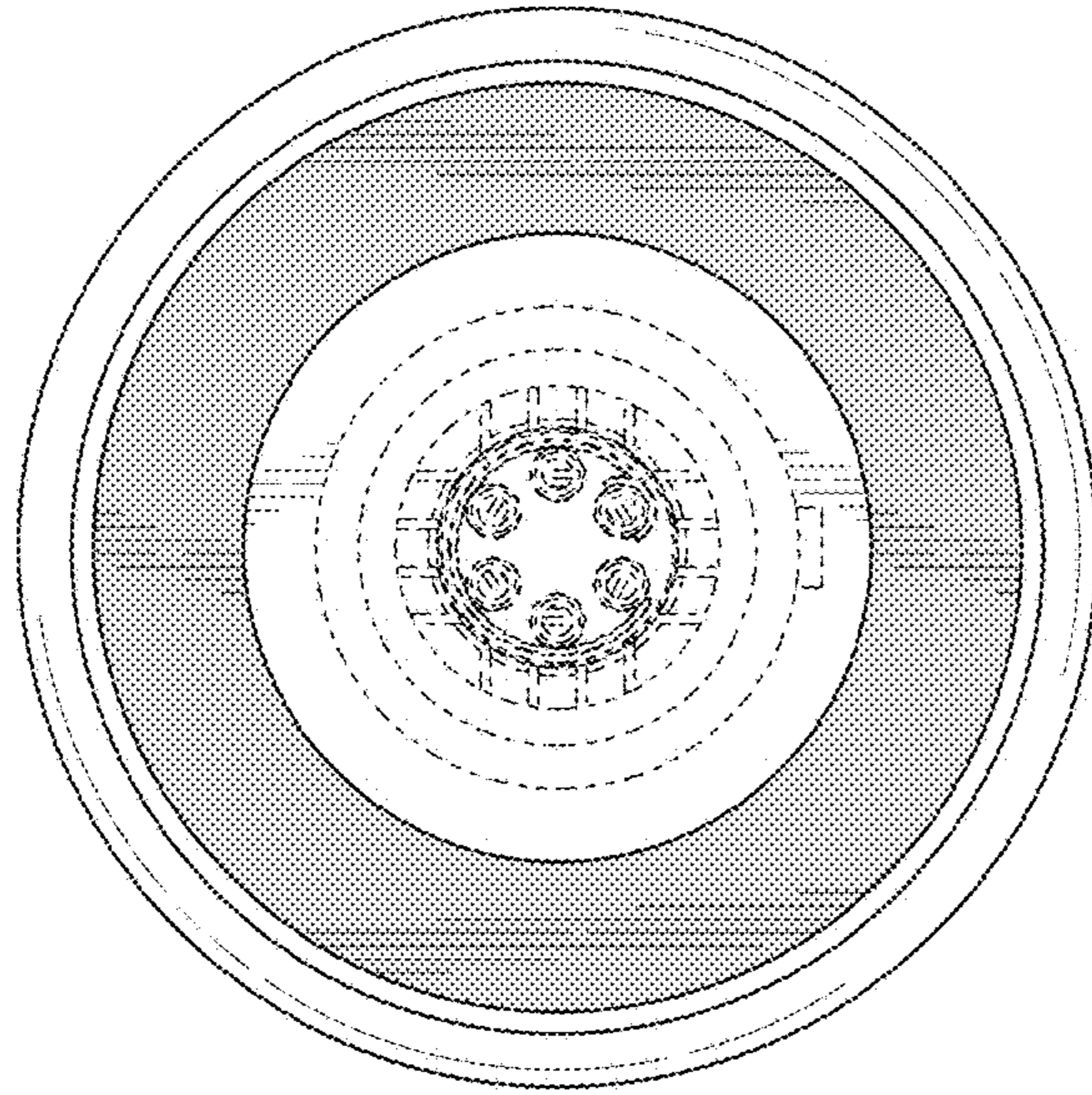


FIG. 9

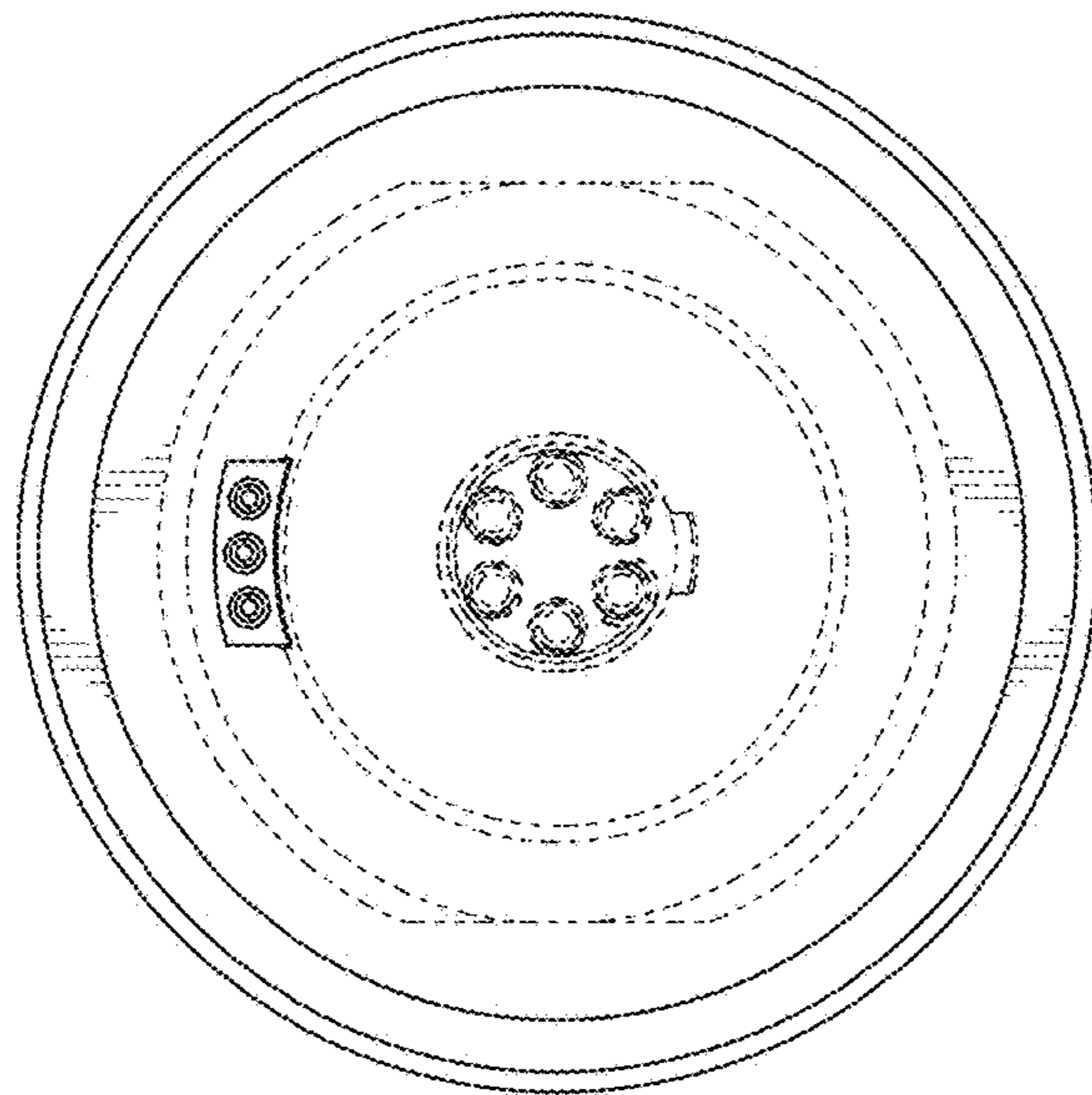


FIG. 10



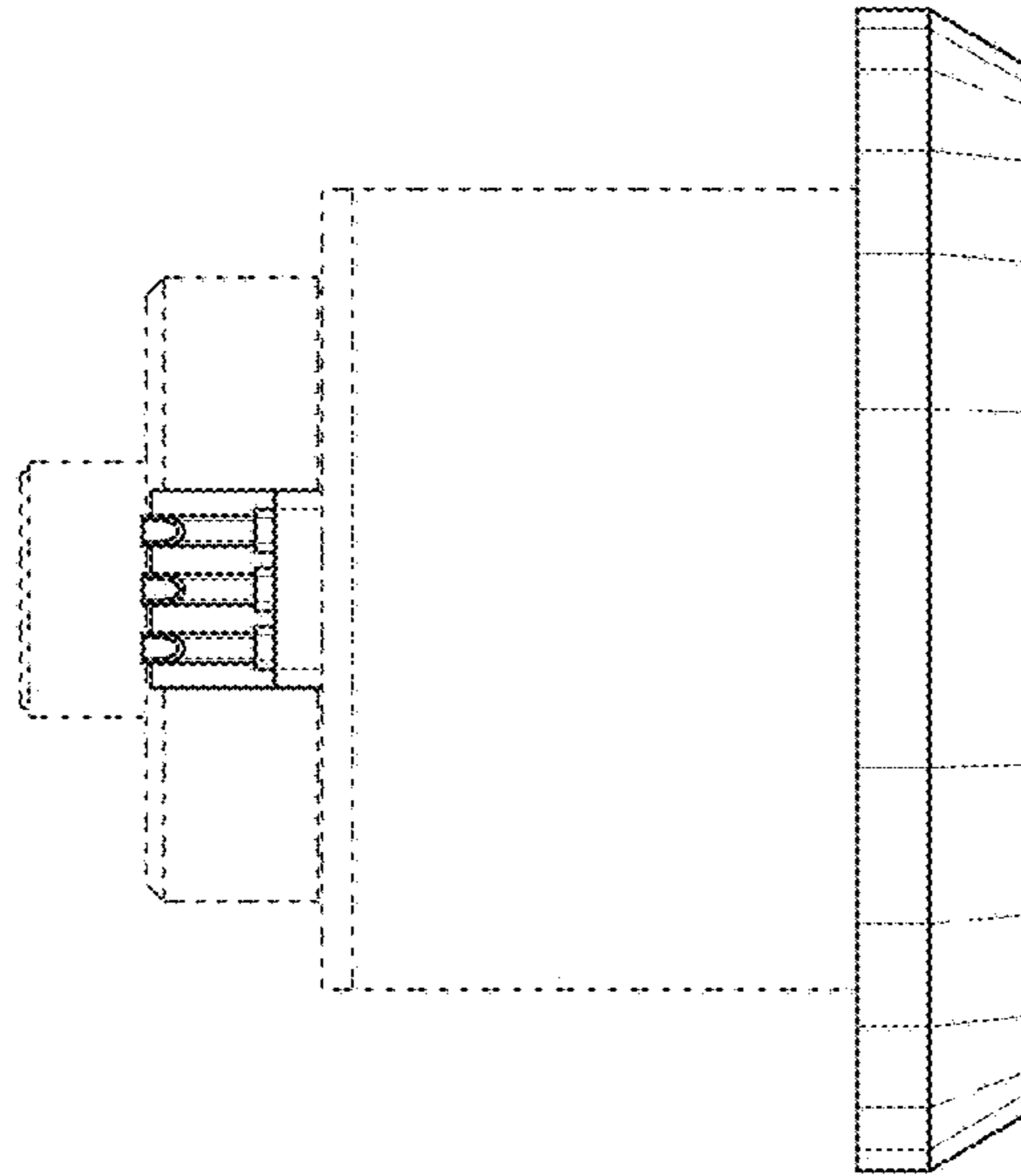


FIG. 11

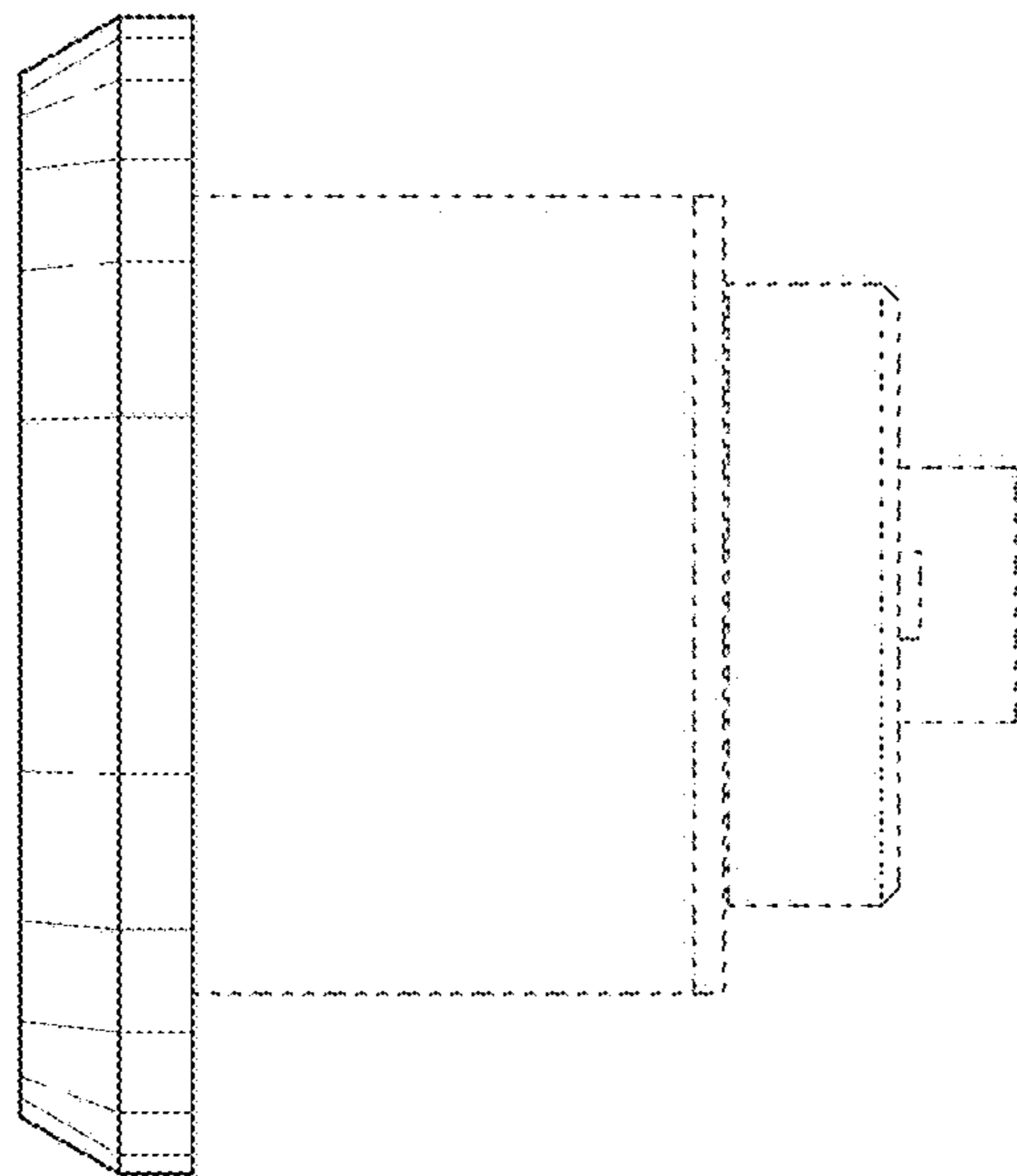


FIG. 12

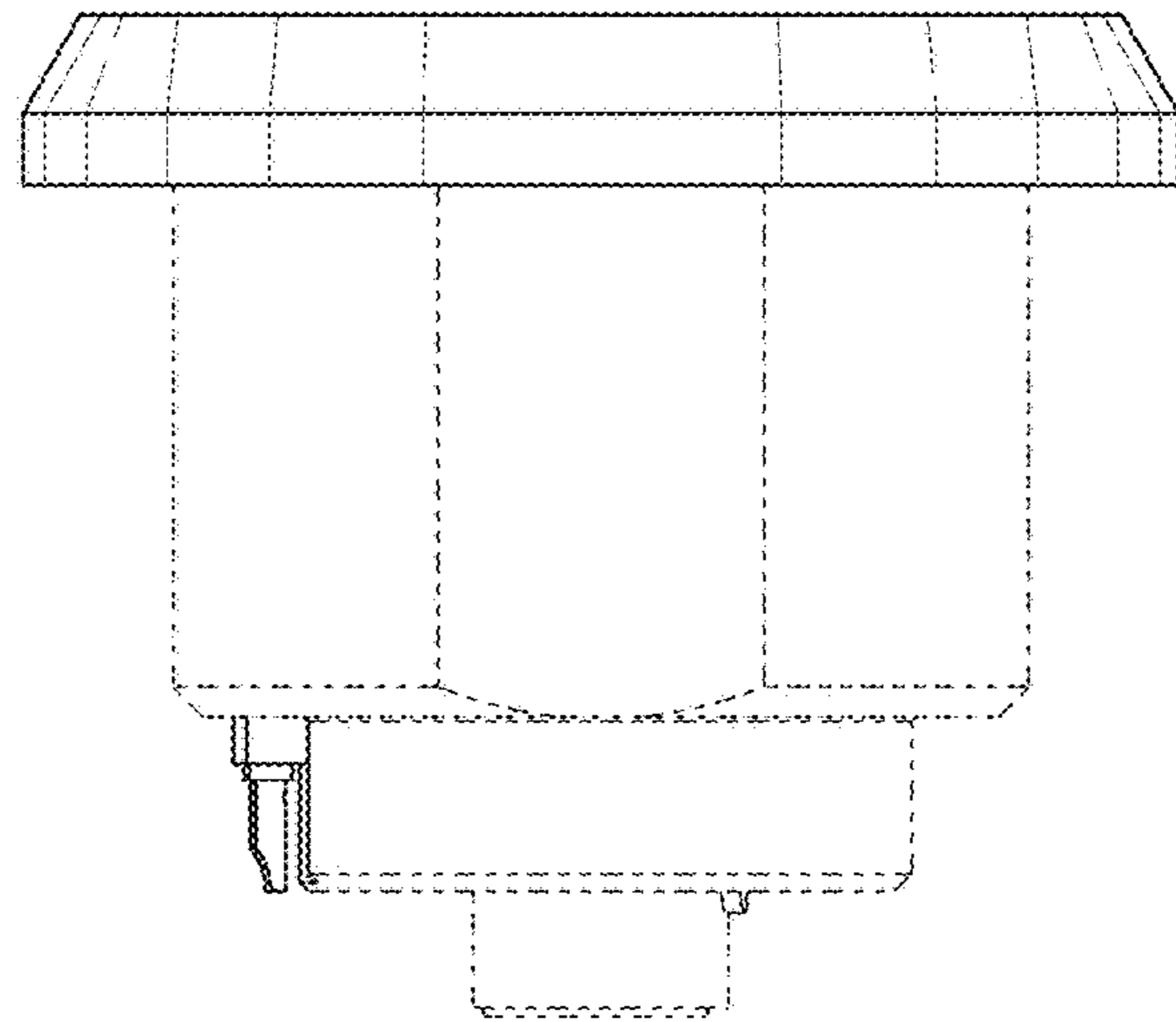


FIG. 13

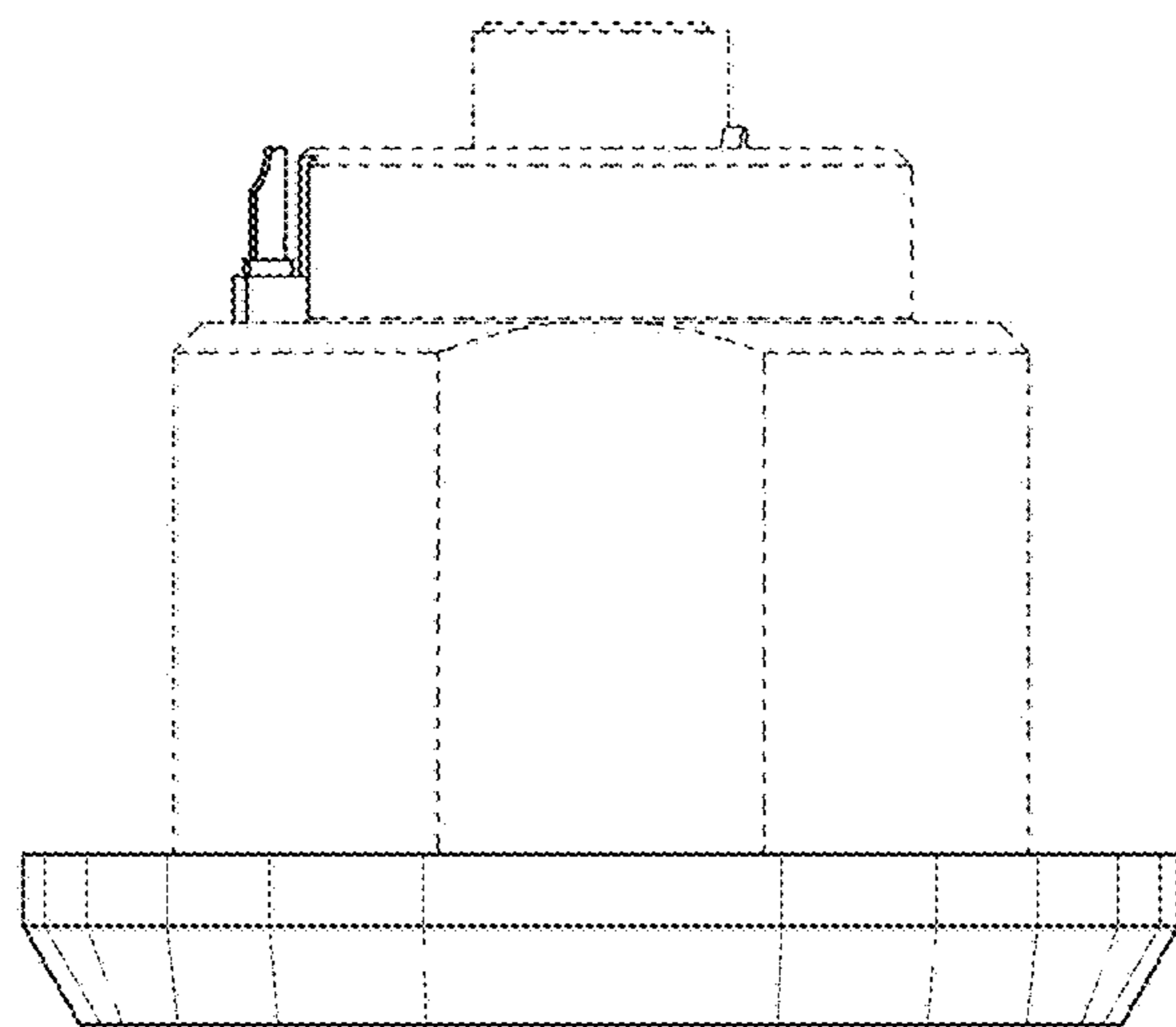


FIG. 14

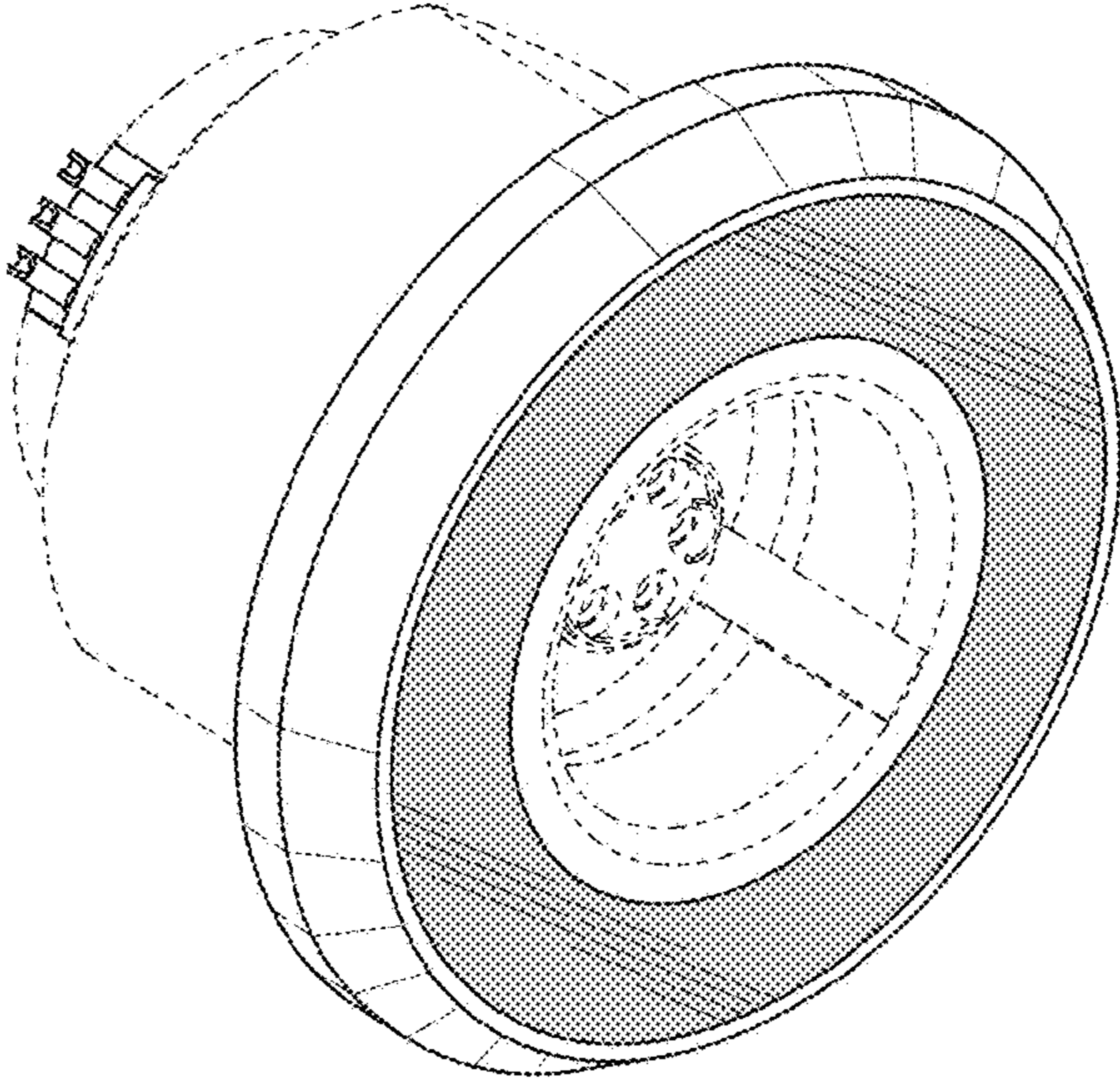


FIG. 15

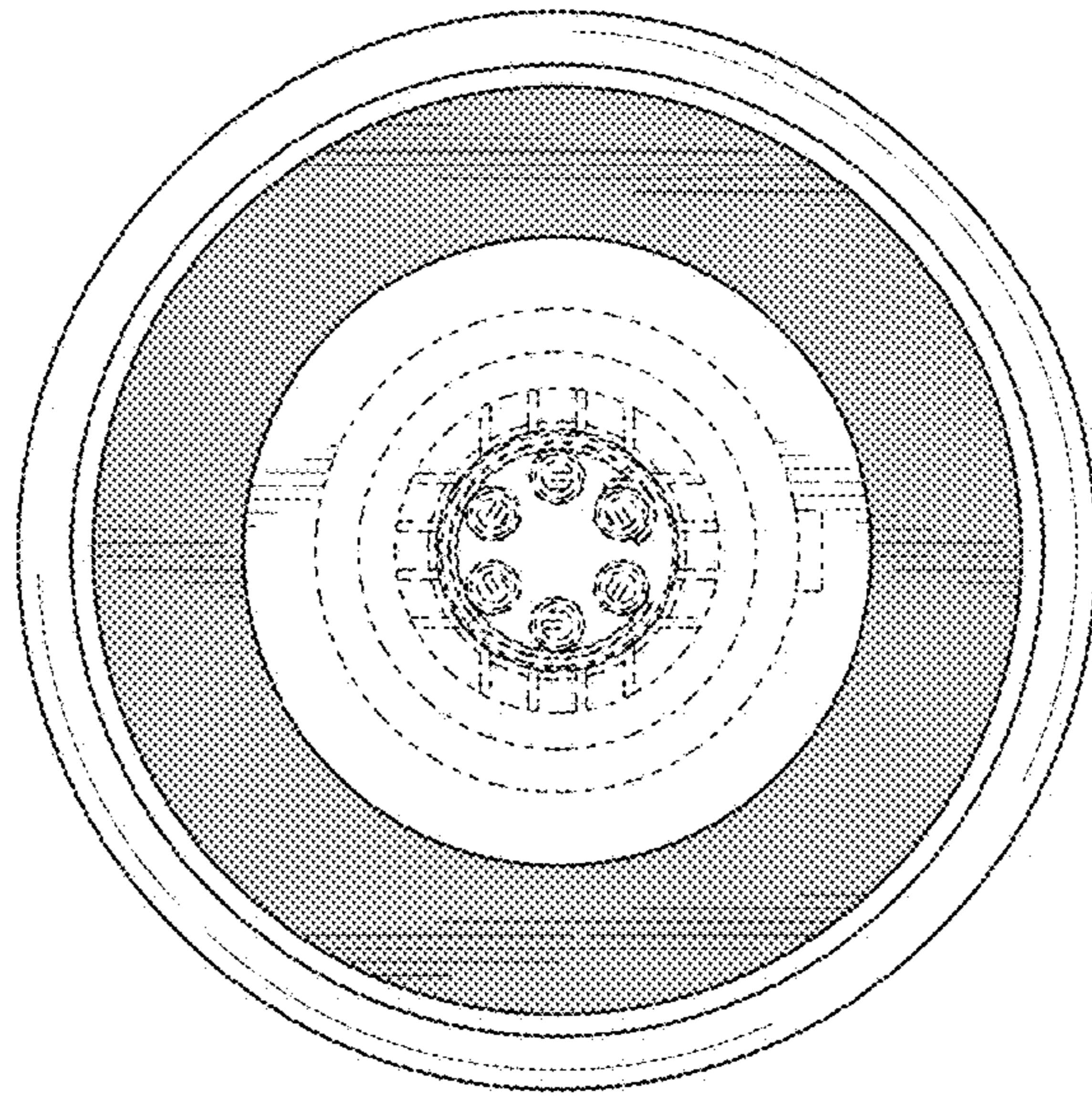


FIG. 16

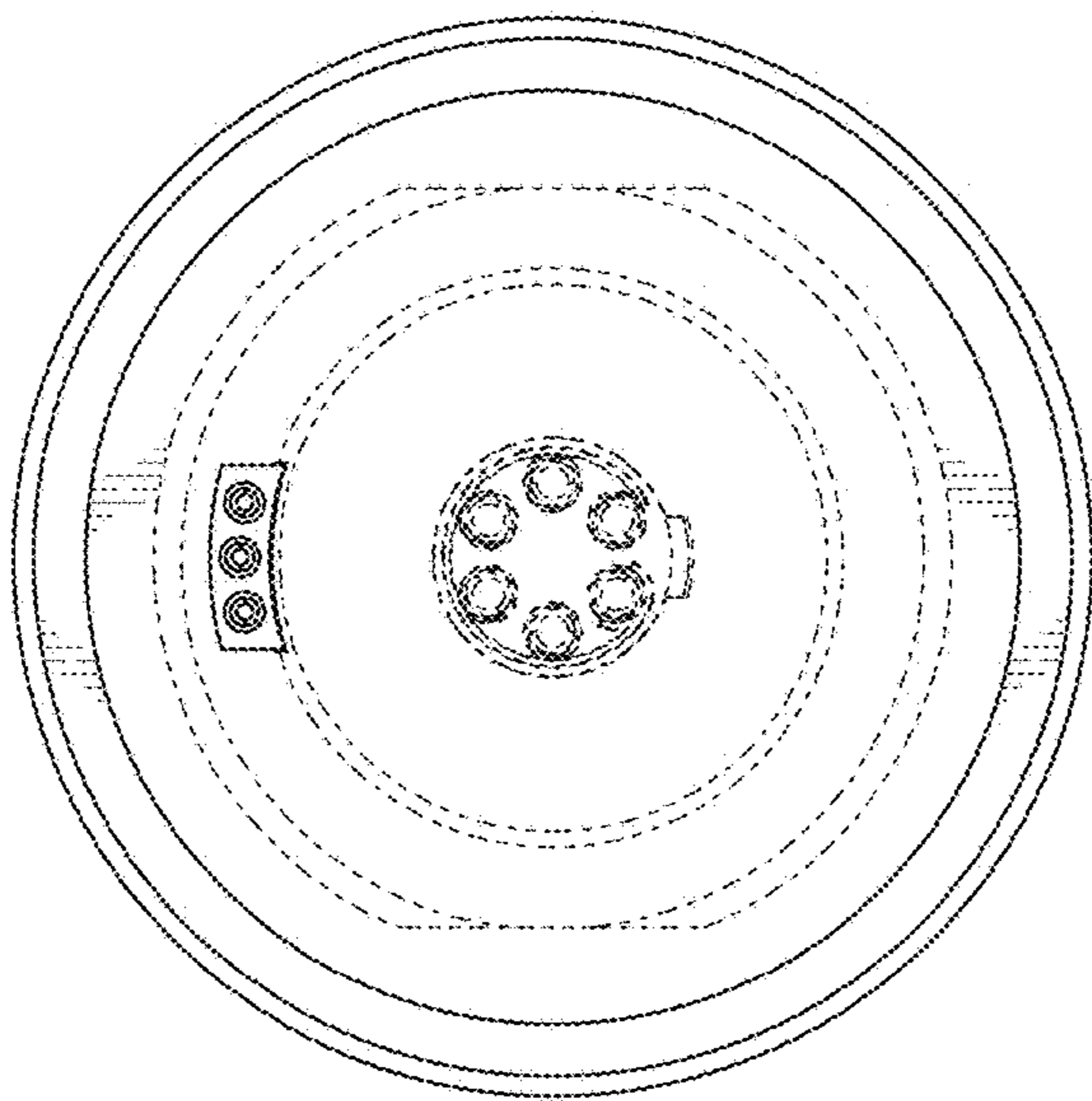


FIG. 17



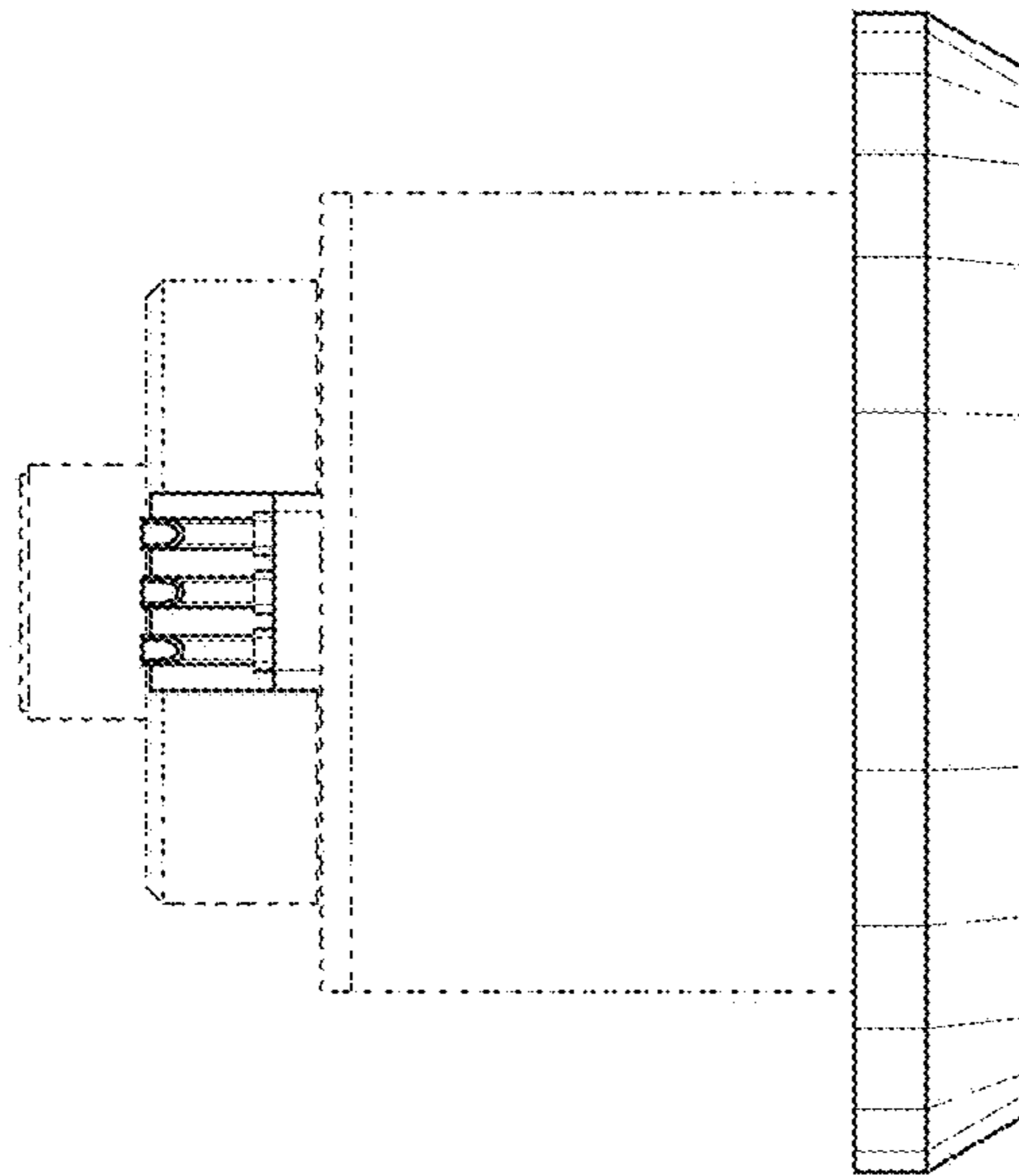


FIG. 18

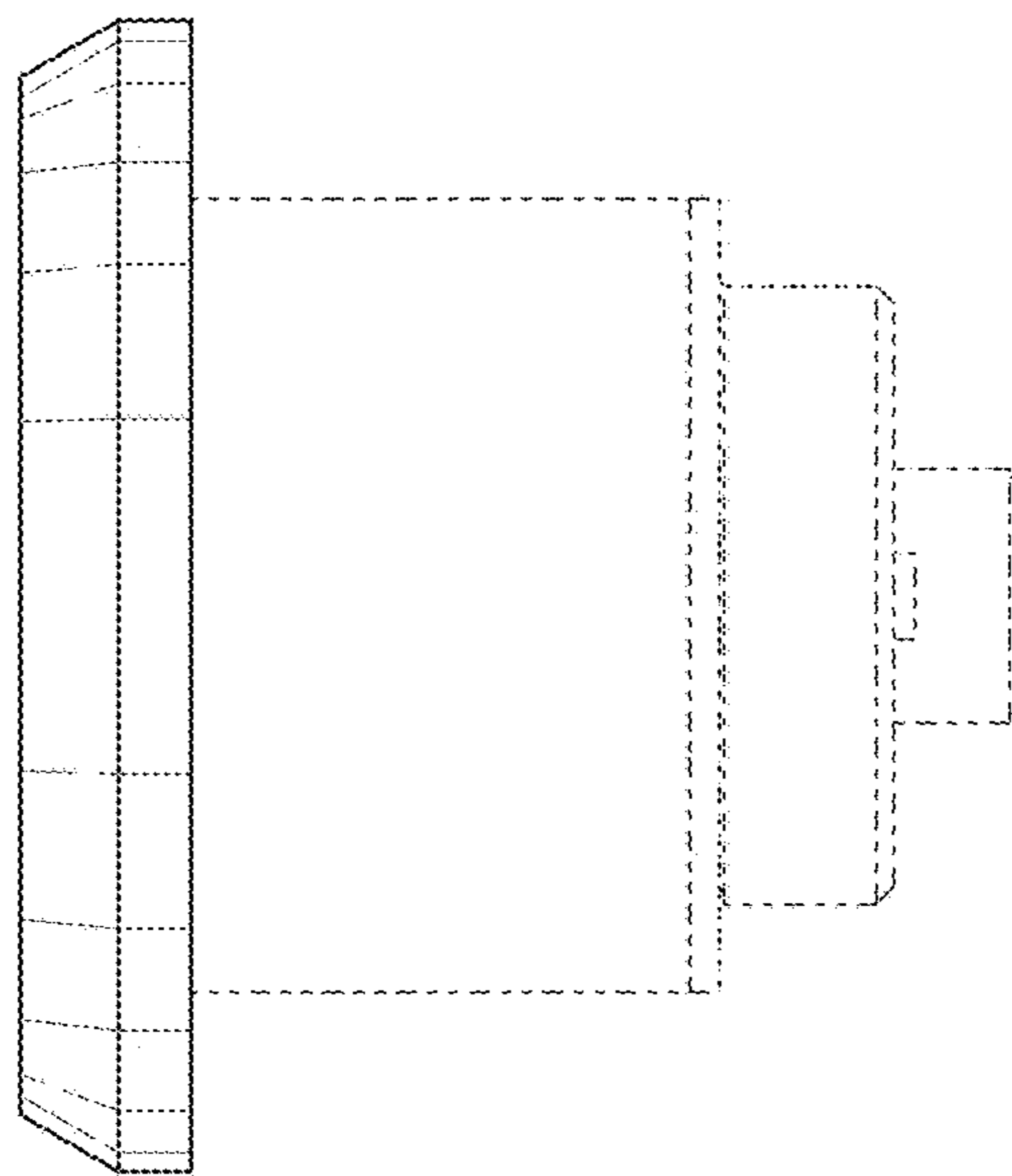


FIG. 19

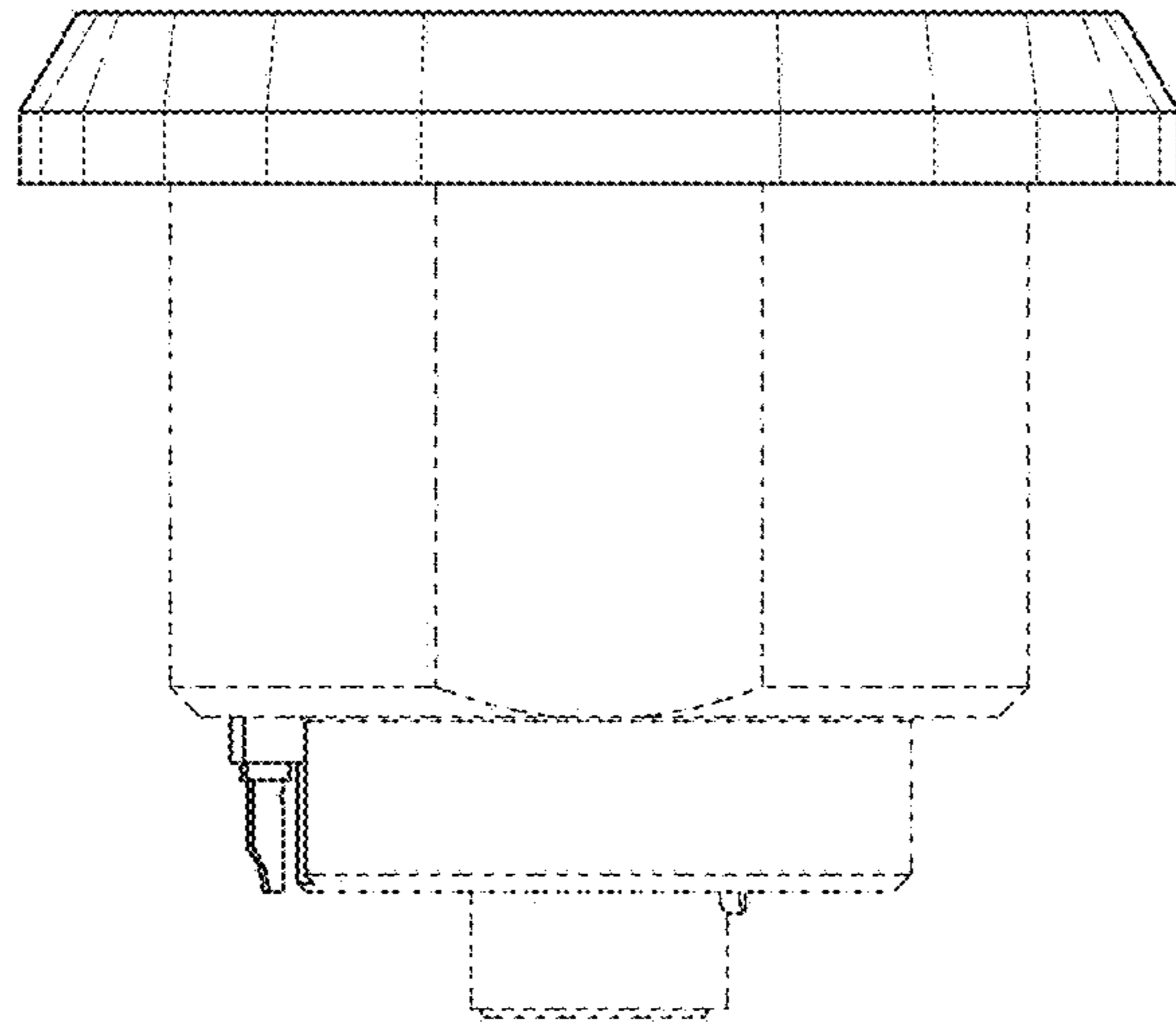


FIG. 20

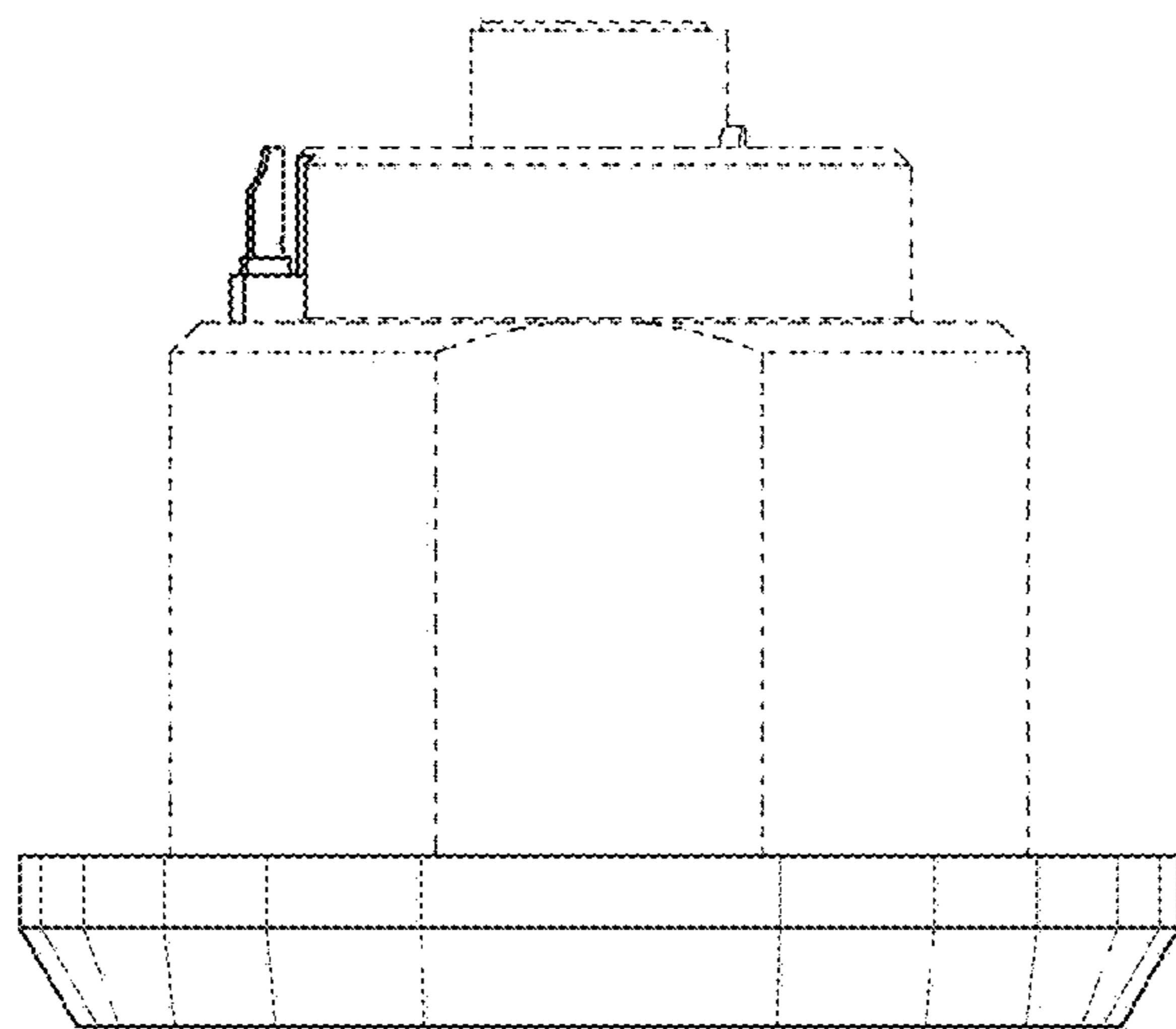


FIG. 21