



US00D863220S

(12) **United States Design Patent** (10) **Patent No.:** **US D863,220 S**
Liu (45) **Date of Patent:** **** Oct. 15, 2019**

(54) **IGNITOR FOR AUTOMOBILE ENGINE**

(71) Applicant: **Hansa Automobile Parts International Group Co. Ltd.**, London, England (GB)

(72) Inventor: **Dexing Liu**, Guangzhou (CN)

(**) Term: **15 Years**

(21) Appl. No.: **29/616,831**

(22) Filed: **Sep. 8, 2017**

(51) **LOC (12) Cl.** **13-03**

(52) **U.S. Cl.**
USPC **D13/126; D13/117; D15/5**

(58) **Field of Classification Search**
USPC D15/5; D12/400, 223; D13/117, 126, D13/127
CPC F23Q 7/001; F02P 5/04; F02P 3/02; F02P 7/026; H01F 27/40; H01F 38/12
See application file for complete search history.

(56) **References Cited**

U.S. PATENT DOCUMENTS

5,359,982	A *	11/1994	Taruya	F02P 3/02 123/634
5,365,909	A *	11/1994	Sawazaki	F02P 3/02 123/617
5,697,352	A *	12/1997	Shimizu	F02P 3/02 123/634
D451,469	S *	12/2001	Tripp	D13/117
D753,186	S *	4/2016	Dopke	D15/5
D786,795	S *	5/2017	Zhang	D13/126
2006/0061446	A1 *	3/2006	Kato	F02P 3/02 336/90

2011/0297133	A1 *	12/2011	Nakao	F02P 3/02 123/635
2012/0227715	A1 *	9/2012	Kawai	F02P 3/02 123/634
2013/0104863	A1 *	5/2013	Arroyo	H01F 41/127 123/621
2015/0048914	A1 *	2/2015	Satoh	H01F 27/022 336/90
2017/0241393	A1 *	8/2017	Kamikawa	C08J 3/203
2017/0301461	A1 *	10/2017	Kato	H01F 38/12
2018/0025837	A1 *	1/2018	Tridico	F02P 13/00
2018/0163688	A1 *	6/2018	Kawai	F02P 13/00

* cited by examiner

Primary Examiner — Sandra S Snapp
Assistant Examiner — Ieisha N Price

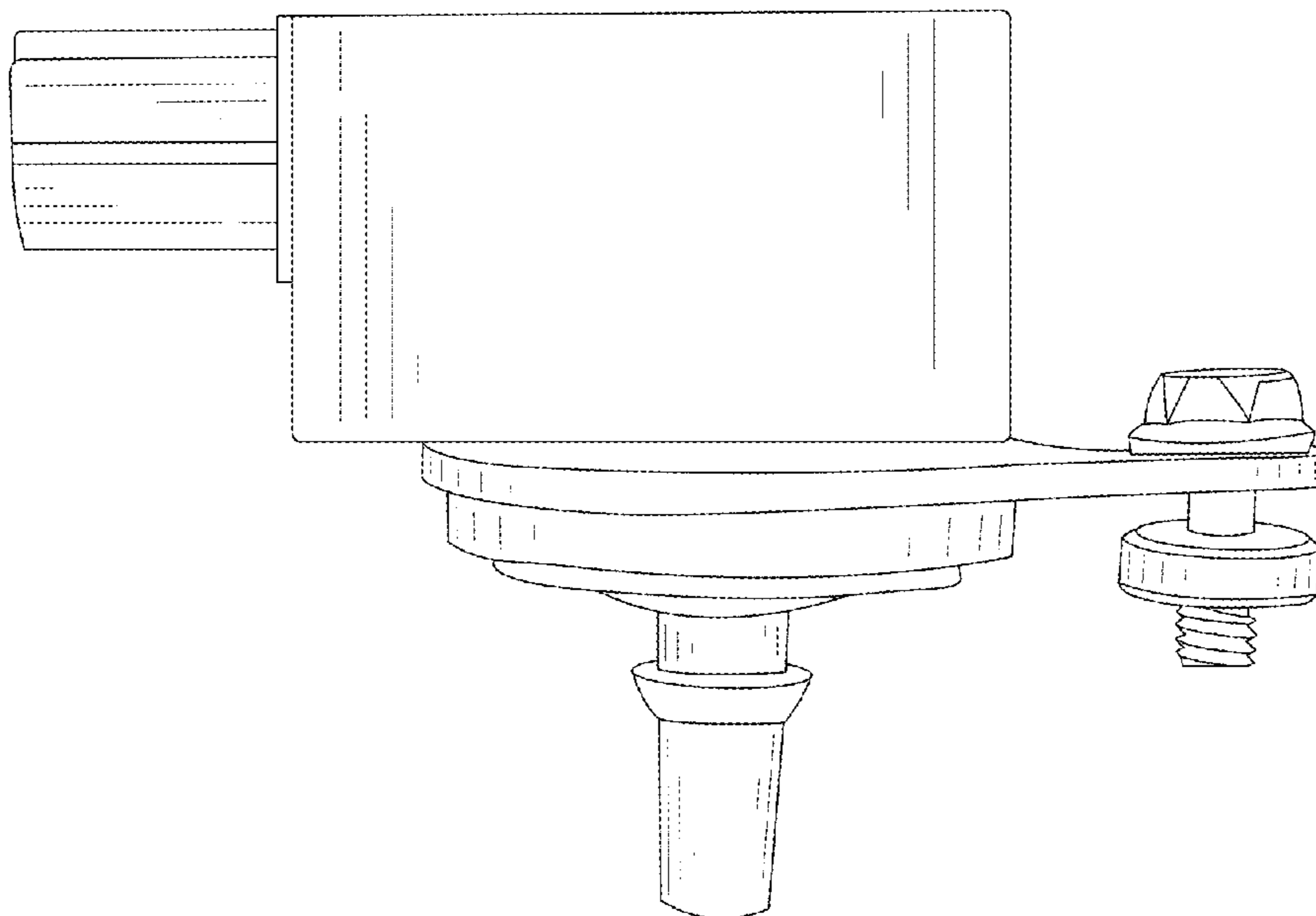
(57) **CLAIM**

The ornamental design for an ignitor for automobile engine, as shown and described.

DESCRIPTION

FIG. 1 is a right perspective view; FIG. 2 is a left perspective view; FIG. 3 is a front perspective view; FIG. 4 is a rear perspective view; FIG. 5 is a top plan view; FIG. 6 is a bottom plan view; FIG. 7 is a front, right perspective view; and, FIG. 8 is a front, left perspective view in a modified position. The broken lines showing in the drawings is included for the purpose of illustrating unclaimed portions of the ignitor for automobile engine and form no part of the claimed design.

1 Claim, 8 Drawing Sheets



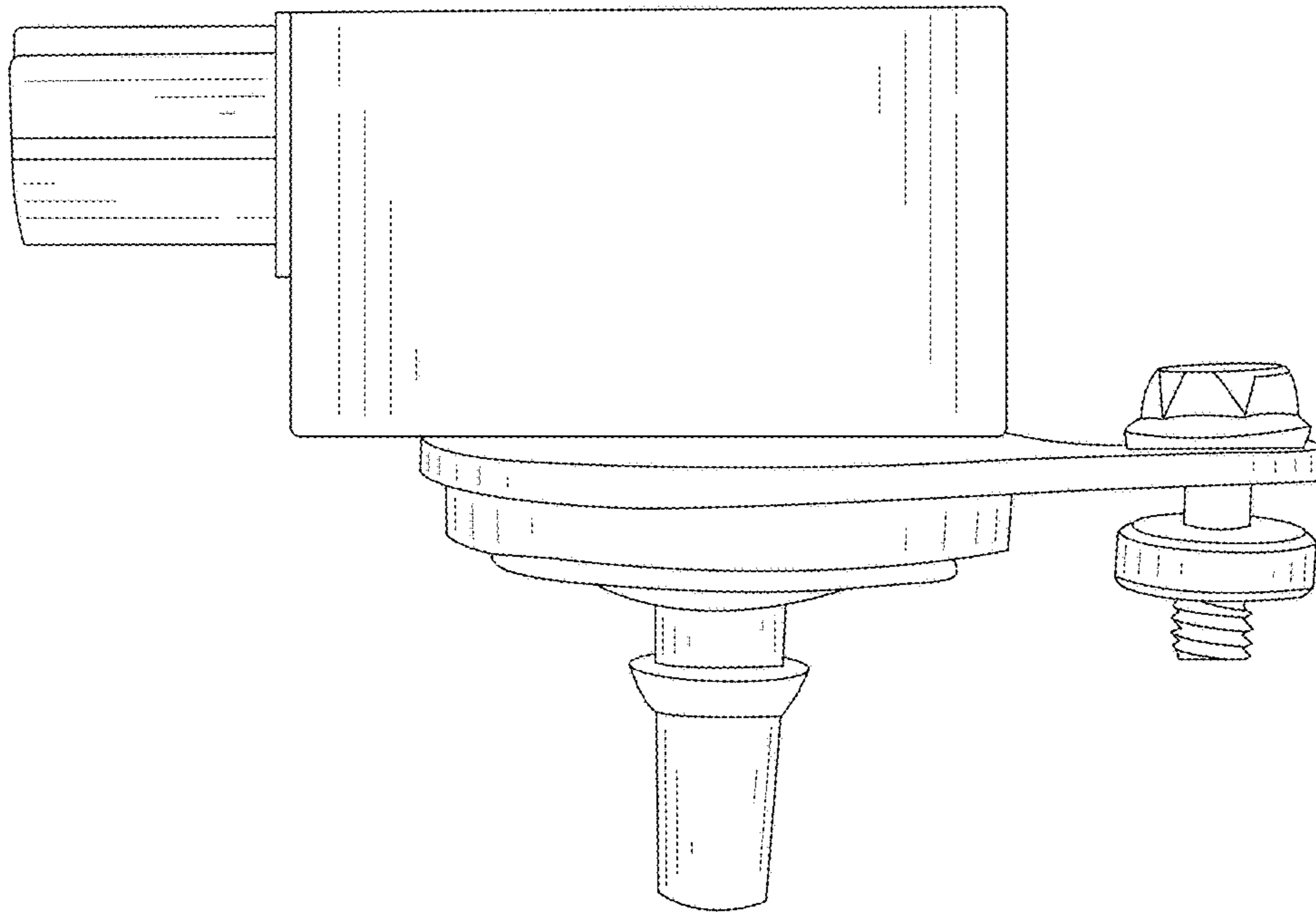


FIG. 1

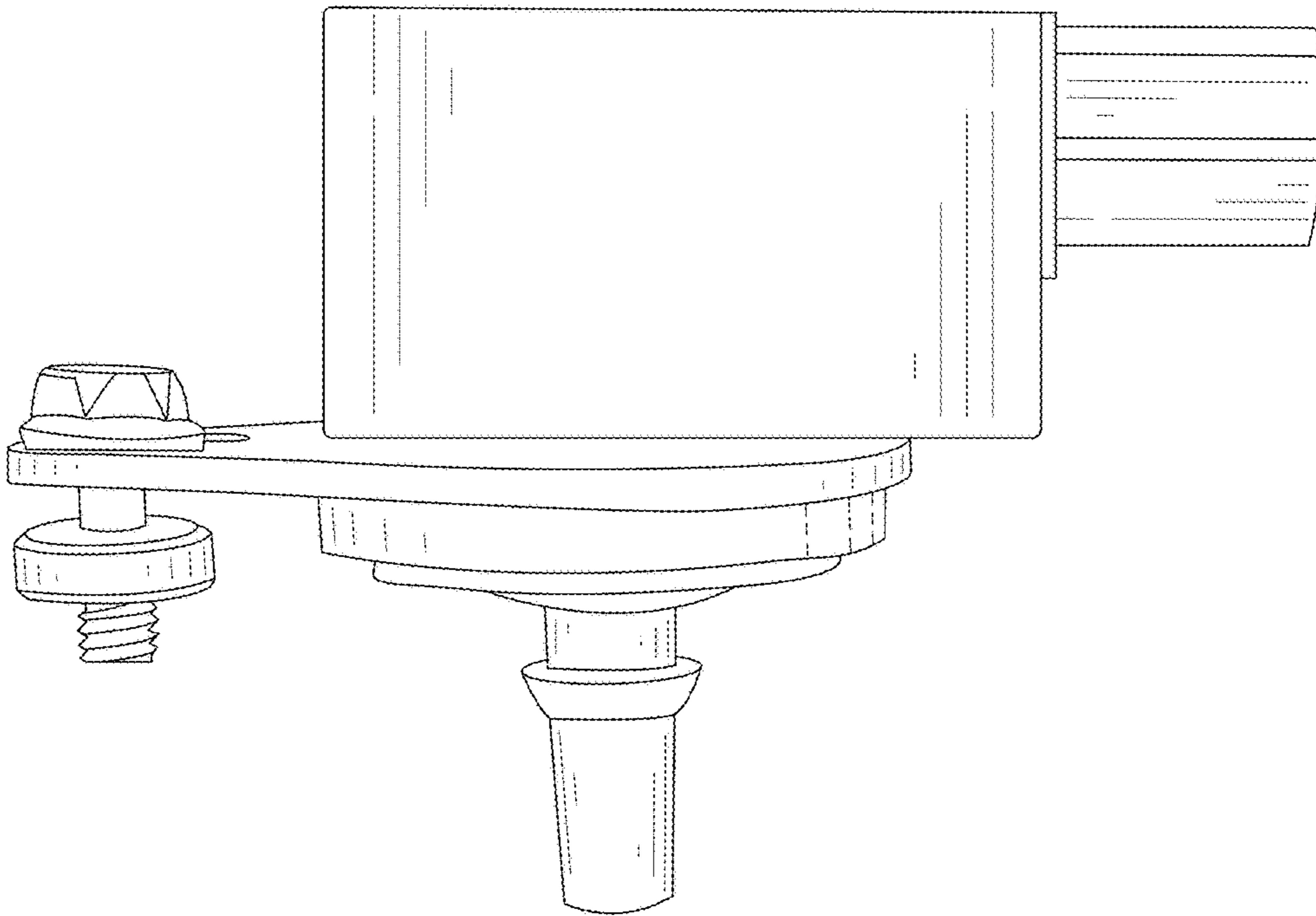


FIG. 2

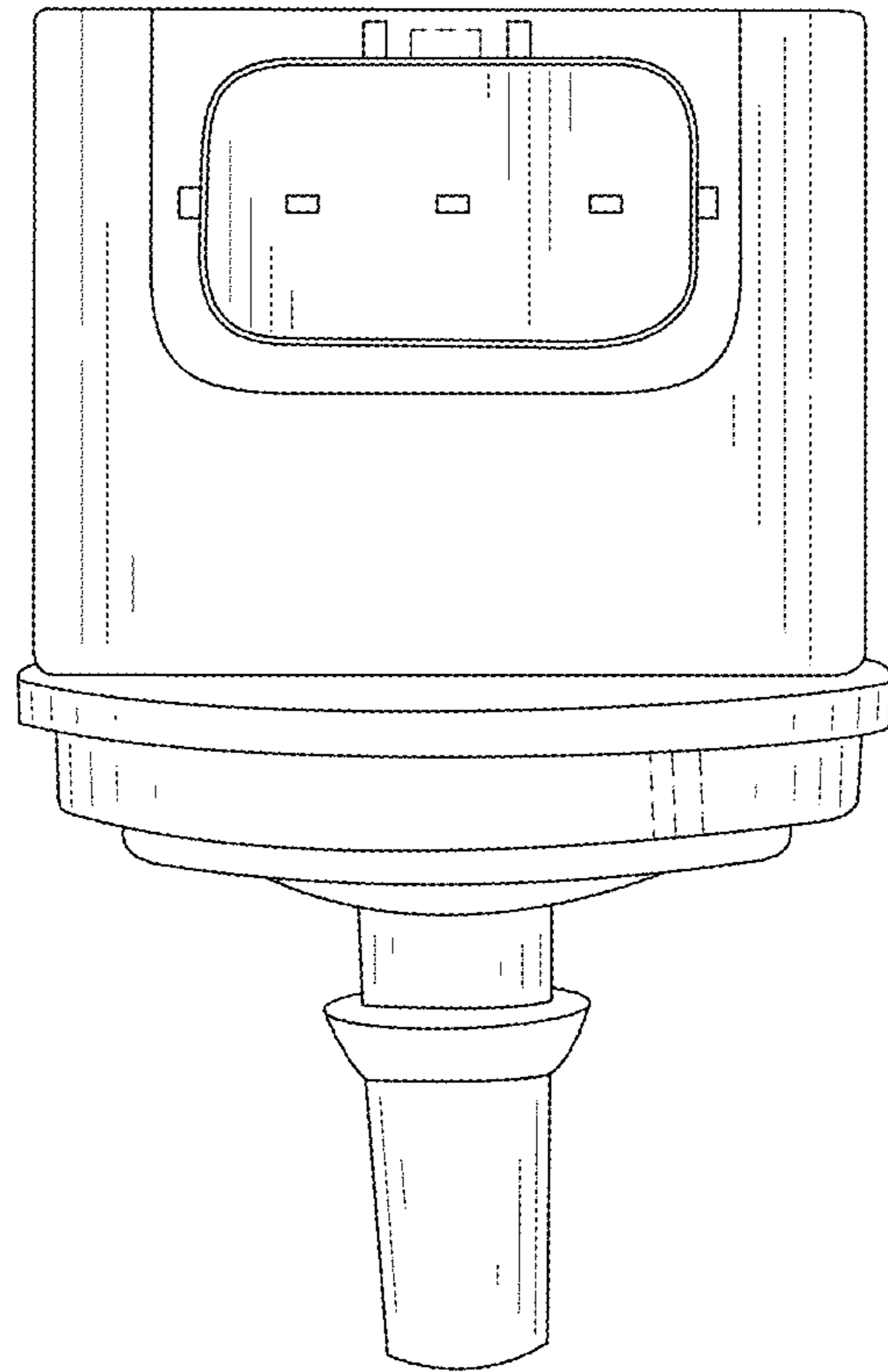


FIG. 3

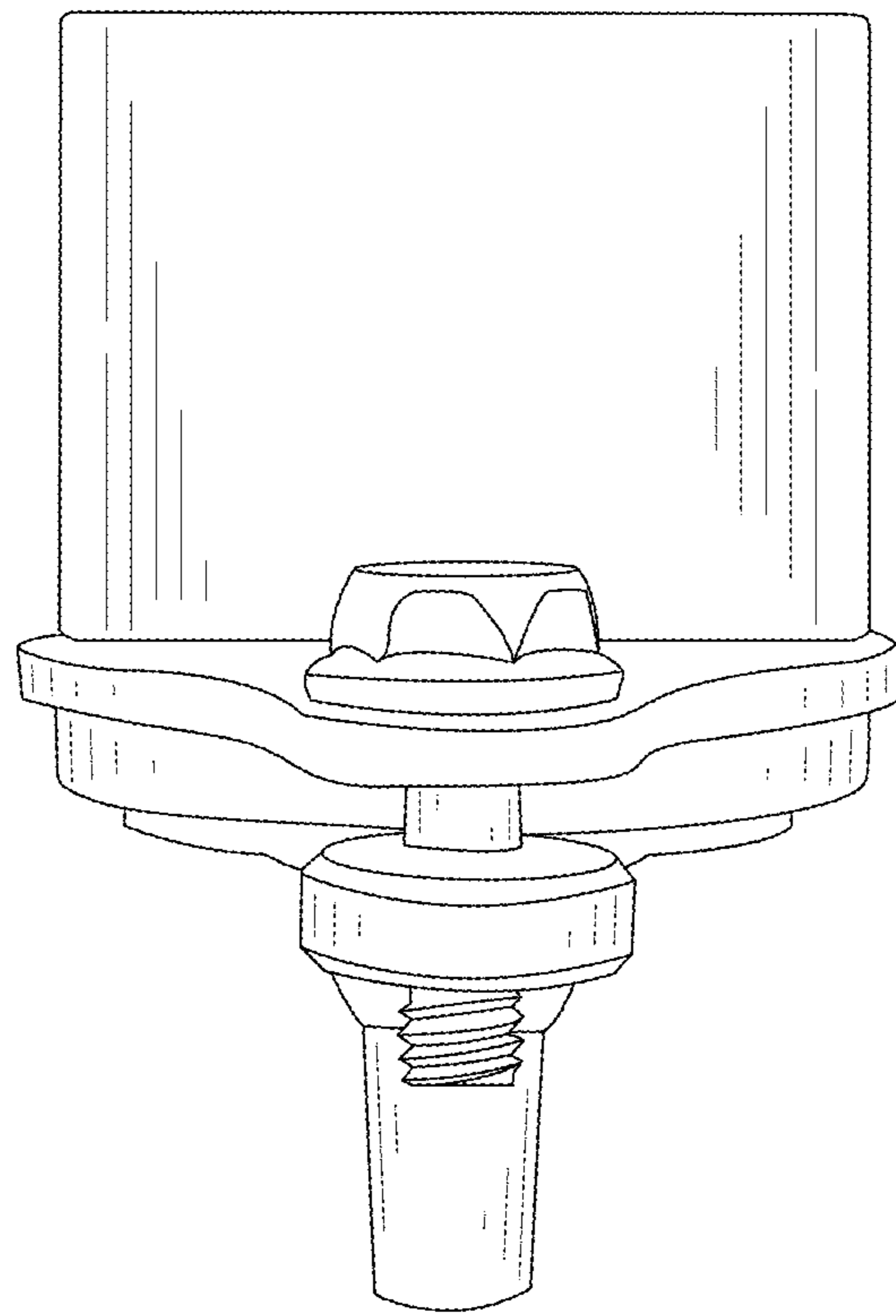


FIG. 4

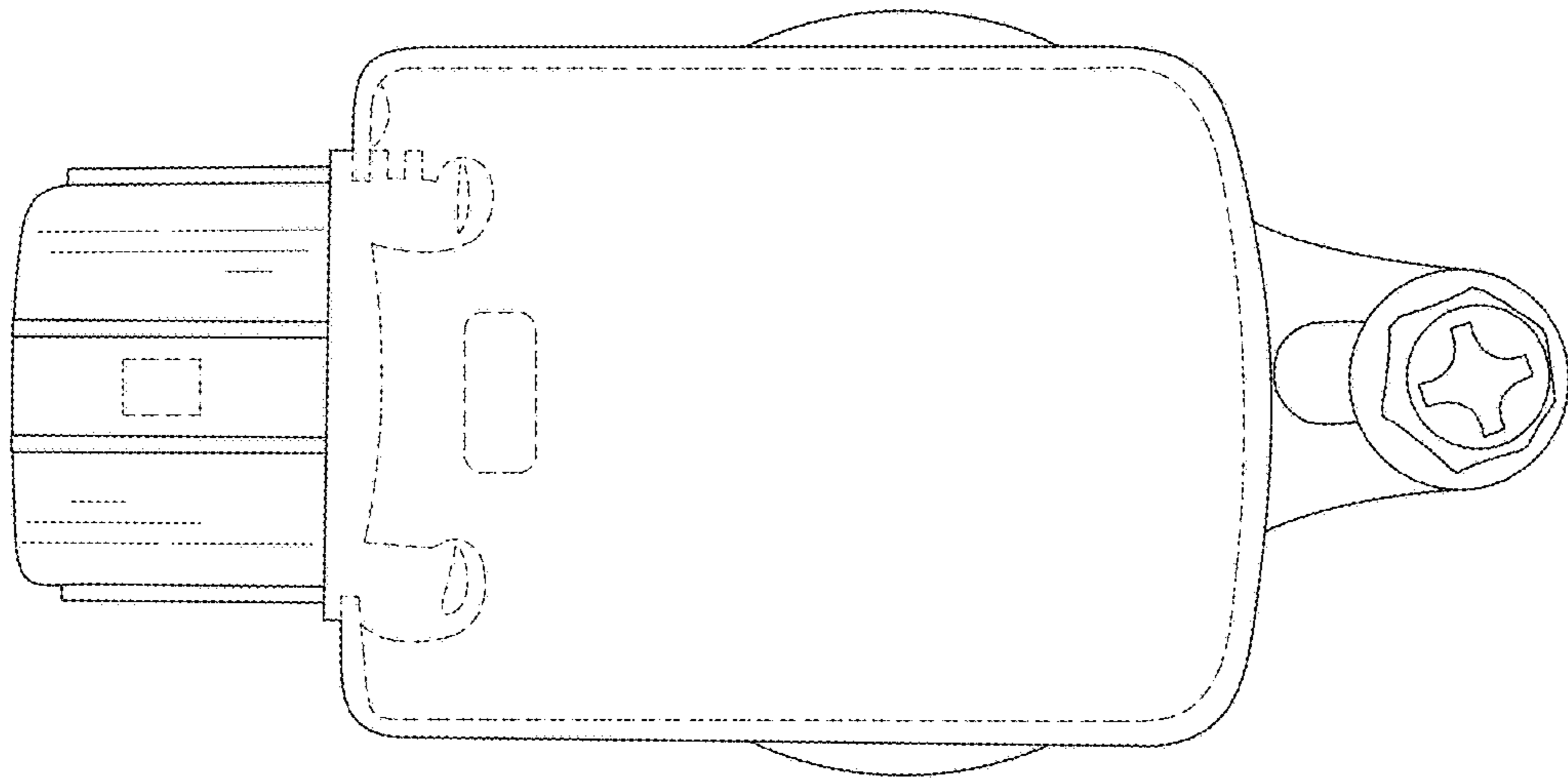


FIG. 5

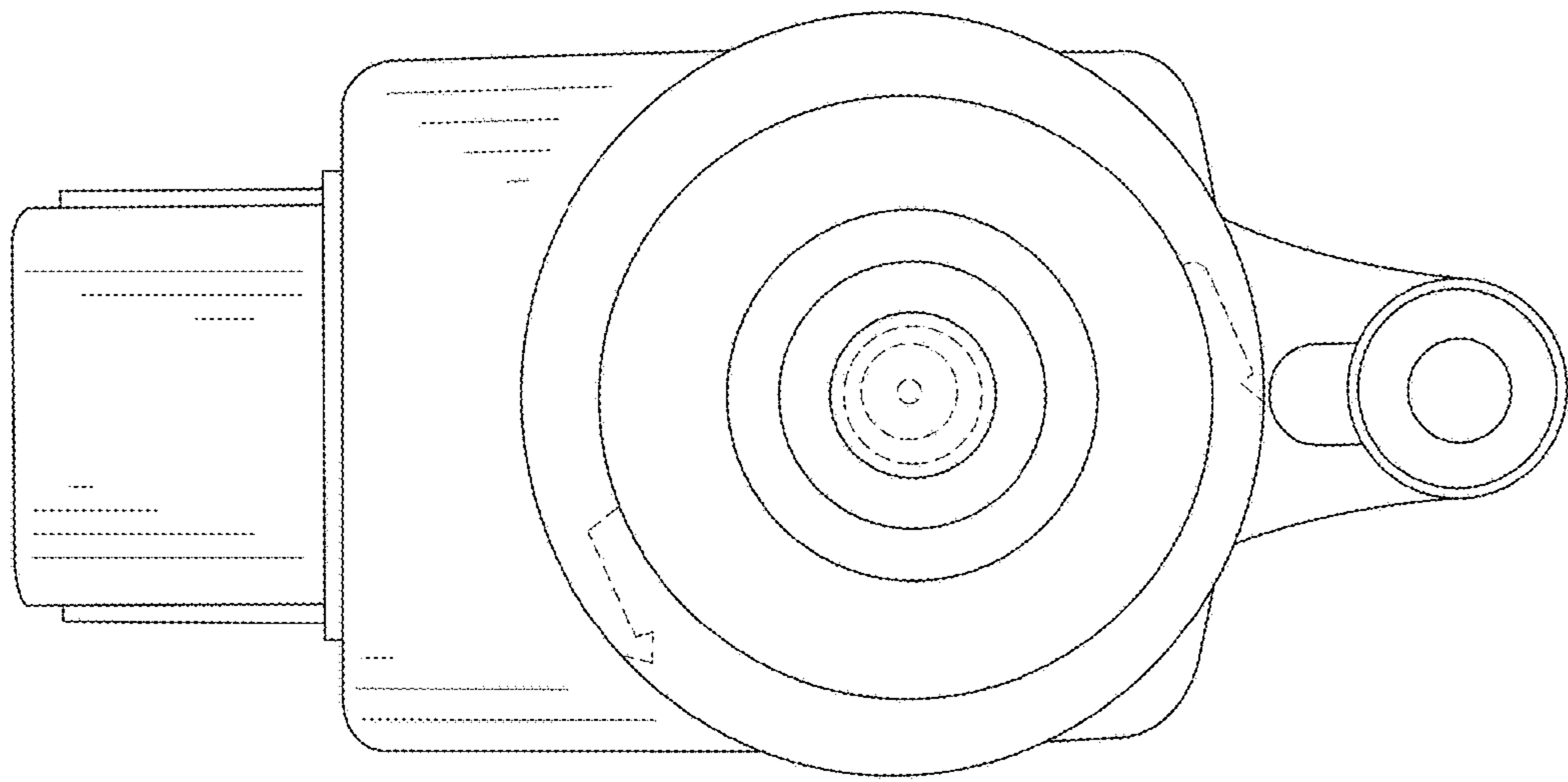


FIG. 6

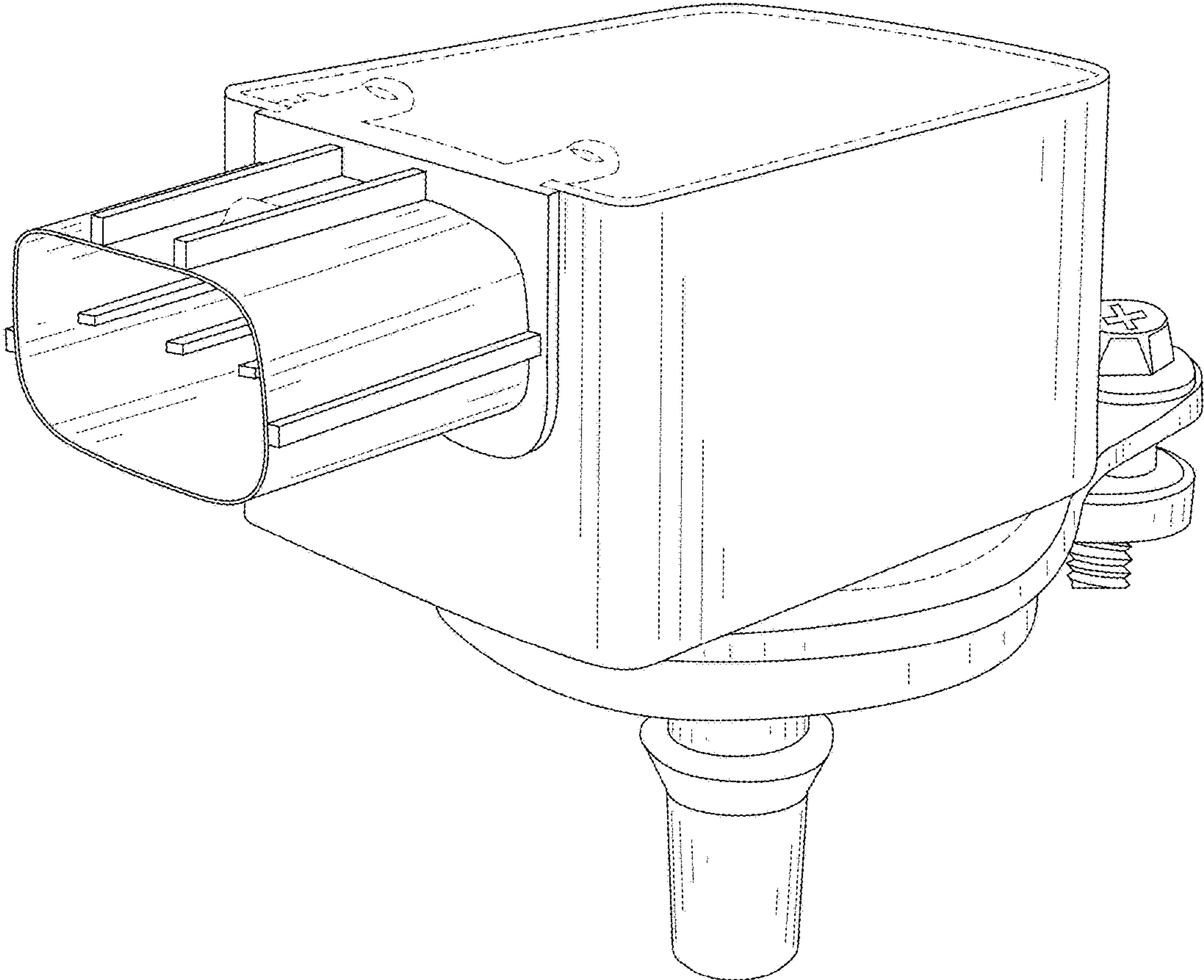


FIG. 7

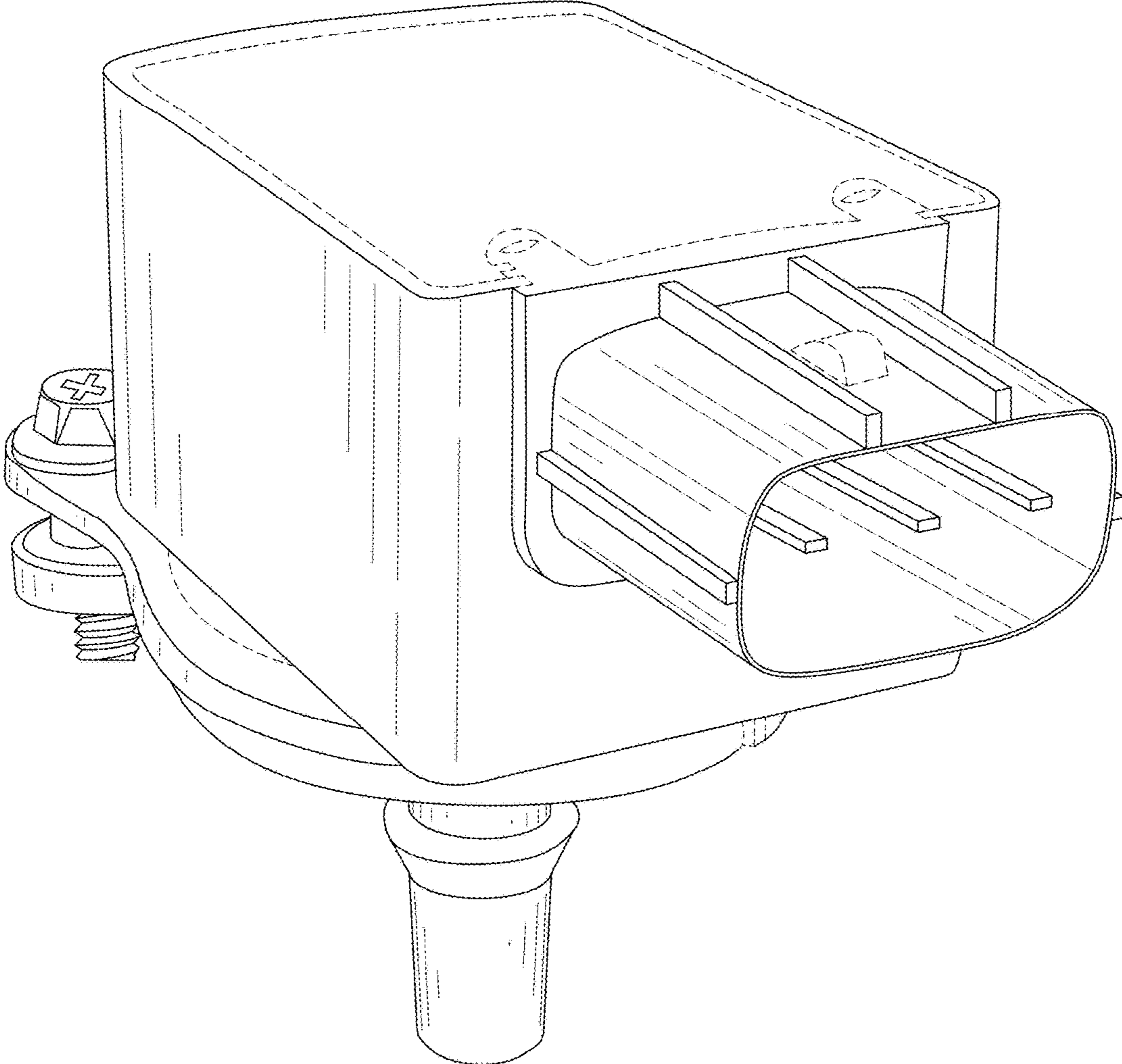


FIG. 8