



US00D863219S

(12) **United States Design Patent**  
**Chen**

(10) **Patent No.:** **US D863,219 S**

(45) **Date of Patent:** **\*\* Oct. 15, 2019**

(54) **WIRELESS CHARGER FOR A CAR**

(71) Applicant: **shenzhen tangzao keji you xian gong si**, Shenzhen (CN)

(72) Inventor: **Liang Chen**, Shenzhen (CN)

(73) Assignee: **shenzhen tangzao keji you xian gong si**, Shenzhen (CN)

(\*\*) Term: **15 Years**

(21) Appl. No.: **29/697,919**

(22) Filed: **Jul. 12, 2019**

(30) **Foreign Application Priority Data**

May 7, 2019 (CN) ..... 2019 3 0217807

(51) **LOC (12) Cl.** ..... **13-02**

(52) **U.S. Cl.**  
USPC ..... **D13/108**

(58) **Field of Classification Search**

USPC ..... D13/107-110, 118-119, 184; D14/251, D14/253, 432, 434

CPC ..... Y02E 60/12; Y02T 90/14; Y02T 90/122; Y02T 90/128; Y02T 90/163; Y02T 10/7005; Y02T 10/7088; H02J 7/025; H02J 7/0042; H02J 7/0044; H02J 7/0045; H02J 7/0003; H01F 38/14; H01R 13/6675; H01M 2/1022; H01M 2/1055; H01M 10/44; H01M 10/46; H01M 10/425; B60L 11/182

See application file for complete search history.

(56) **References Cited**

**U.S. PATENT DOCUMENTS**

D391,931 S \* 3/1998 Iino ..... D14/434  
D413,108 S \* 8/1999 Suzuki ..... D14/434  
D688,202 S \* 8/2013 Mecca ..... D13/108

D722,961 S \* 2/2015 Lin ..... D13/103  
D722,963 S \* 2/2015 Au-Yeung ..... D13/108  
D751,816 S \* 3/2016 Miller ..... D3/249  
D764,404 S \* 8/2016 Lau ..... D13/103  
D786,254 S \* 5/2017 Yum ..... D14/138 G  
D810,750 S \* 2/2018 Chang ..... D14/434  
D851,588 S \* 6/2019 Ma ..... D13/108  
D851,646 S \* 6/2019 Huebner ..... D14/434  
D857,019 S \* 8/2019 Mecchella ..... D14/434

**FOREIGN PATENT DOCUMENTS**

CN 305017521 1/2019  
EM 006271102-0002 3/2019  
EM 006335519-0001 4/2019

\* cited by examiner

*Primary Examiner* — Rosemary K Tarcza

(74) *Attorney, Agent, or Firm* — ScienBiziP, P.C.

(57) **CLAIM**

The ornamental design for a wireless charger for a car, as shown and described.

**DESCRIPTION**

FIG. 1 is a front perspective view of a wireless charger for a car showing my design.

FIG. 2 is a bottom rear perspective view of the wireless charger for a car.

FIG. 3 is a front elevation view thereof.

FIG. 4 is a rear elevation view thereof.

FIG. 5 is a left side elevation view thereof.

FIG. 6 is a right side elevation view thereof.

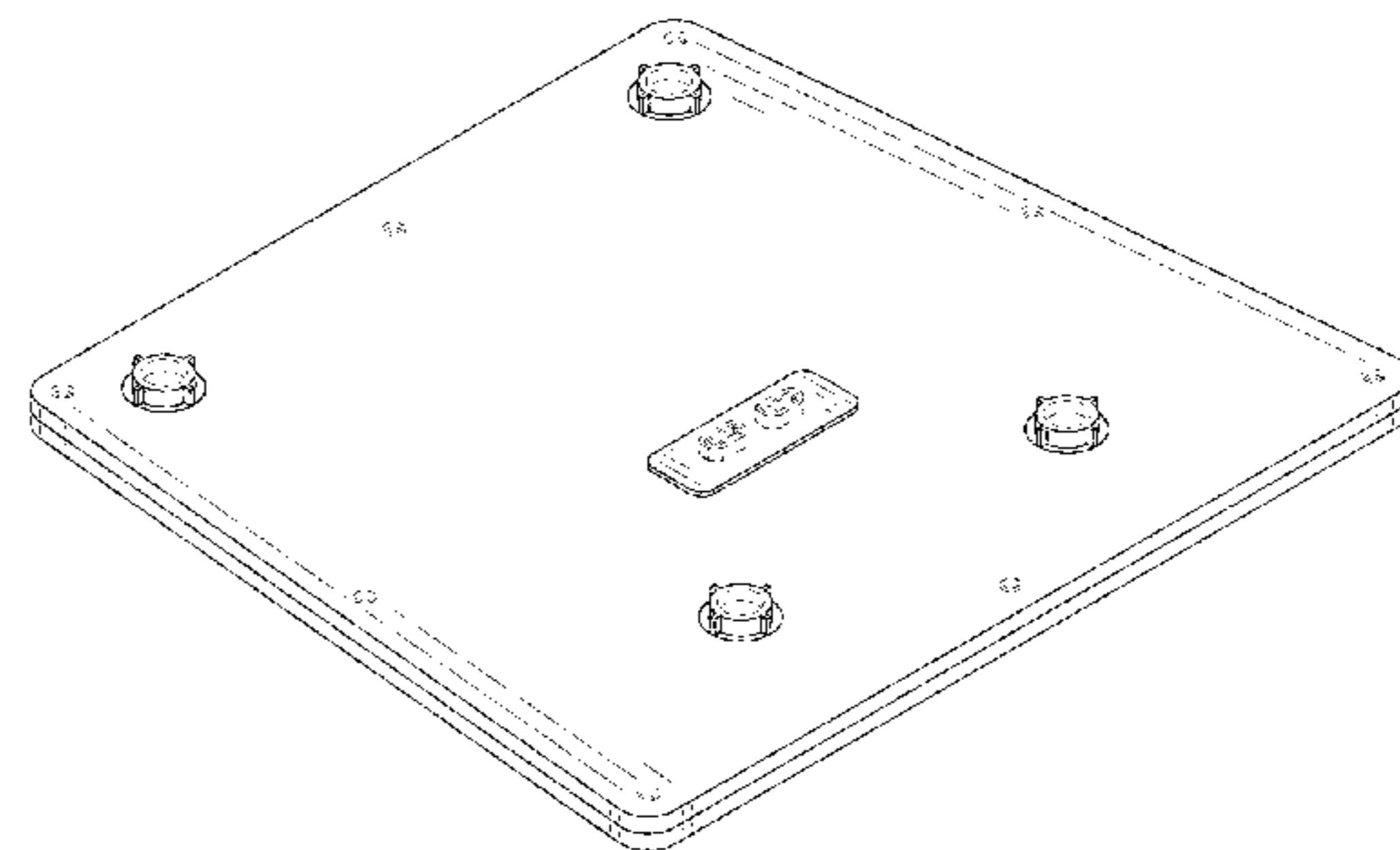
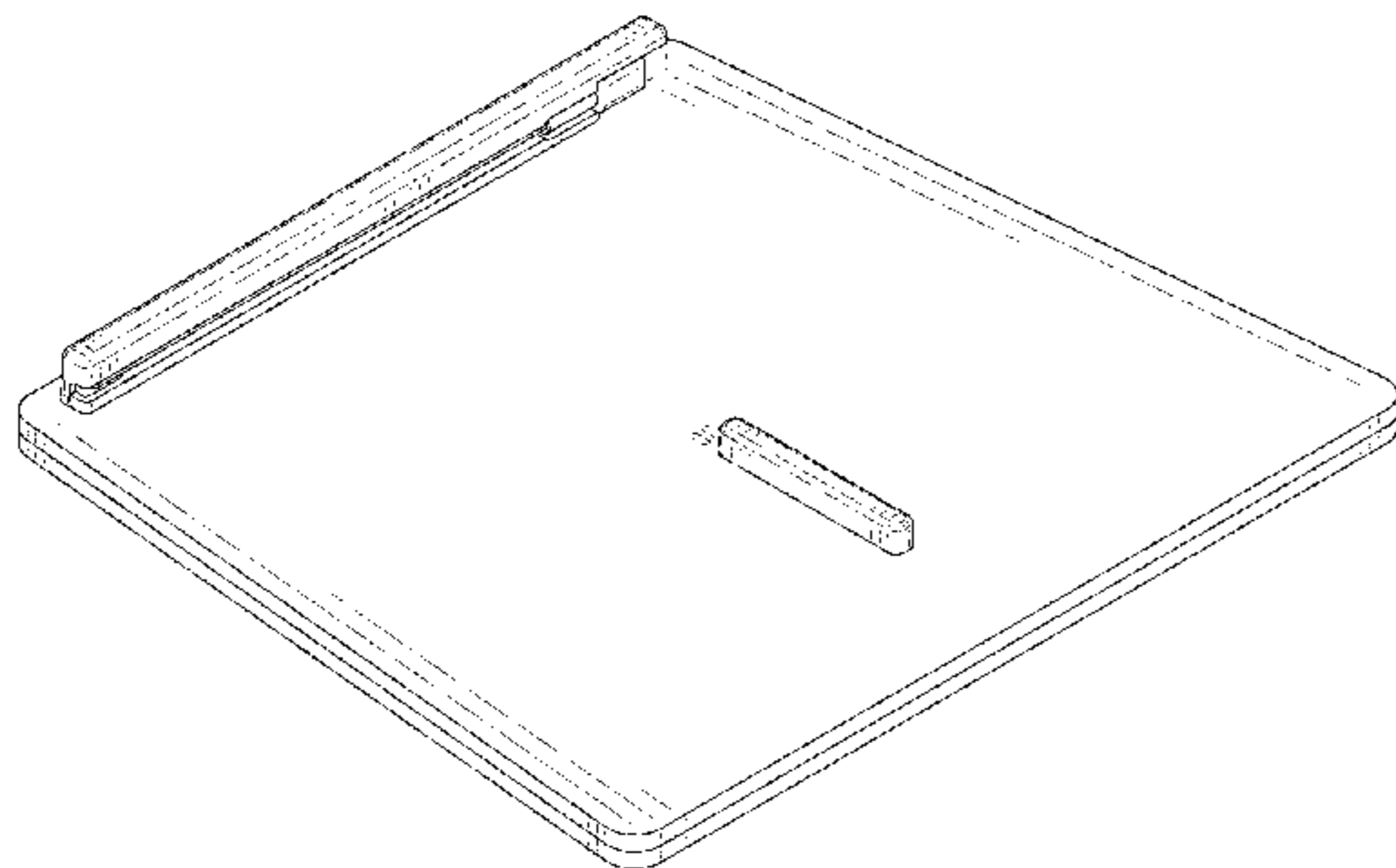
FIG. 7 is a top plan view thereof.

FIG. 8 is a bottom plan view thereof; and,

FIG. 9 is a front perspective view thereof, shown with the cable in an alternate position.

The broken lines shown in the drawings are for the purpose of illustrating portions of the wireless charger for a car which form no part of the claimed design.

**1 Claim, 9 Drawing Sheets**



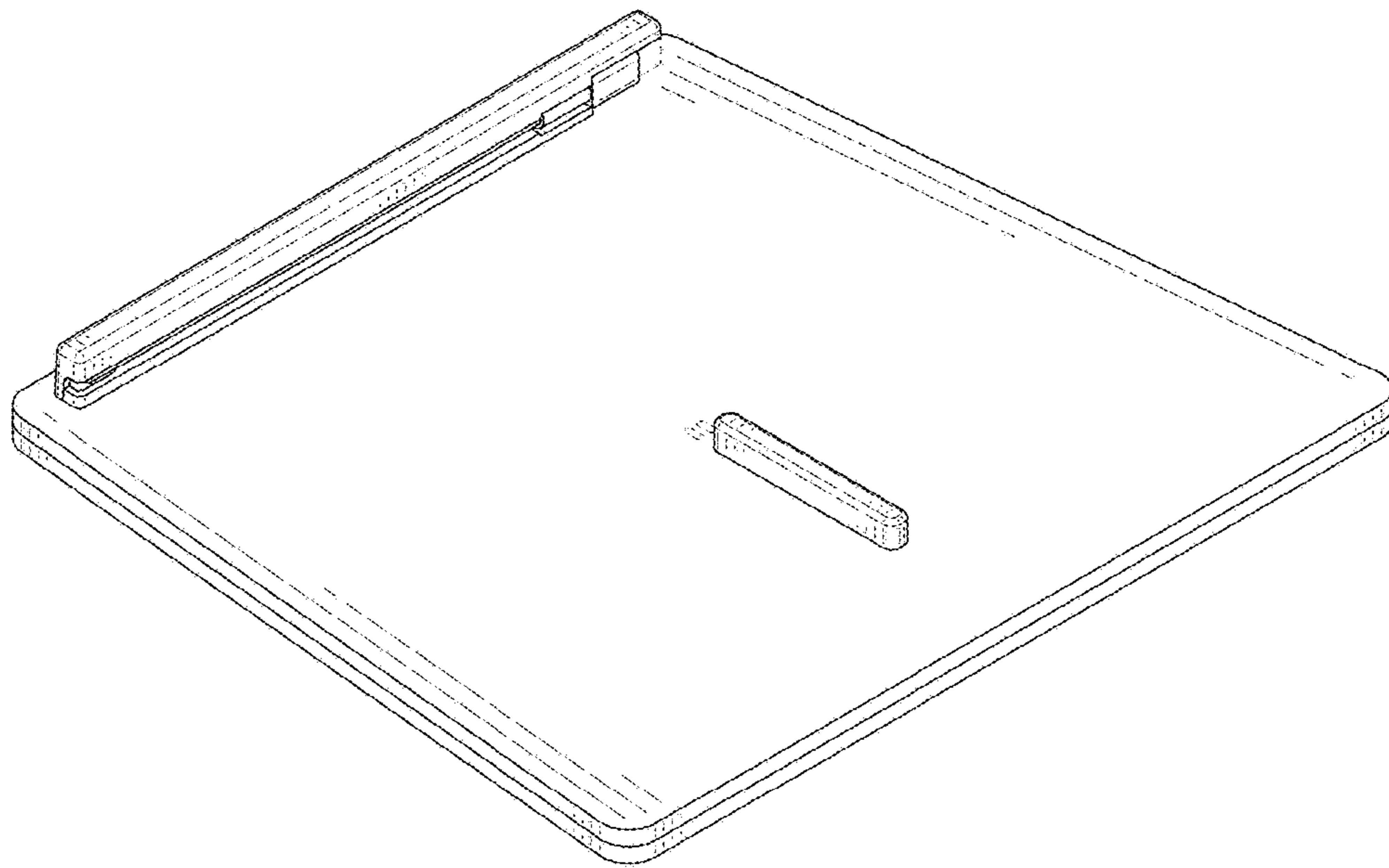


FIG. 1

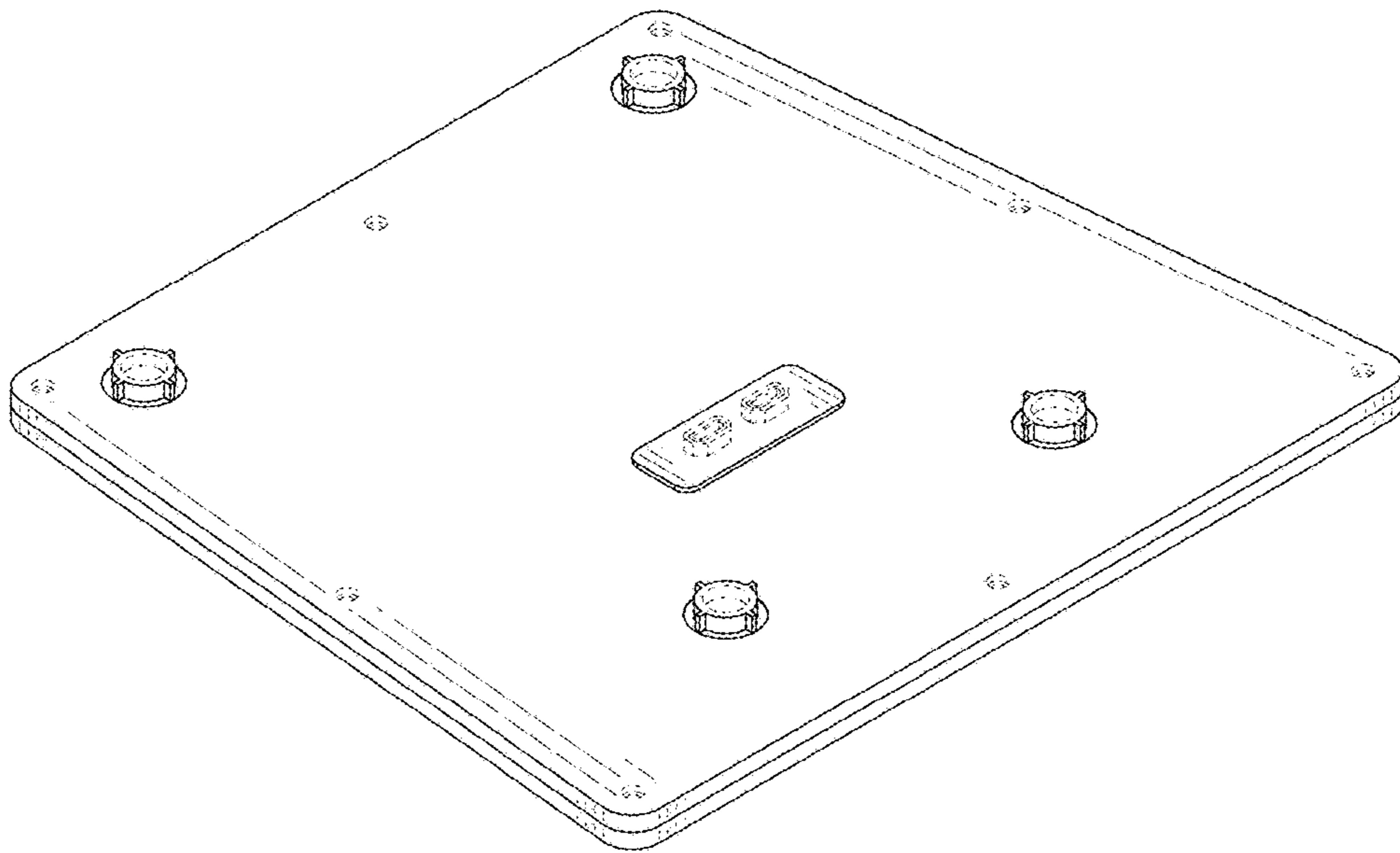


FIG. 2

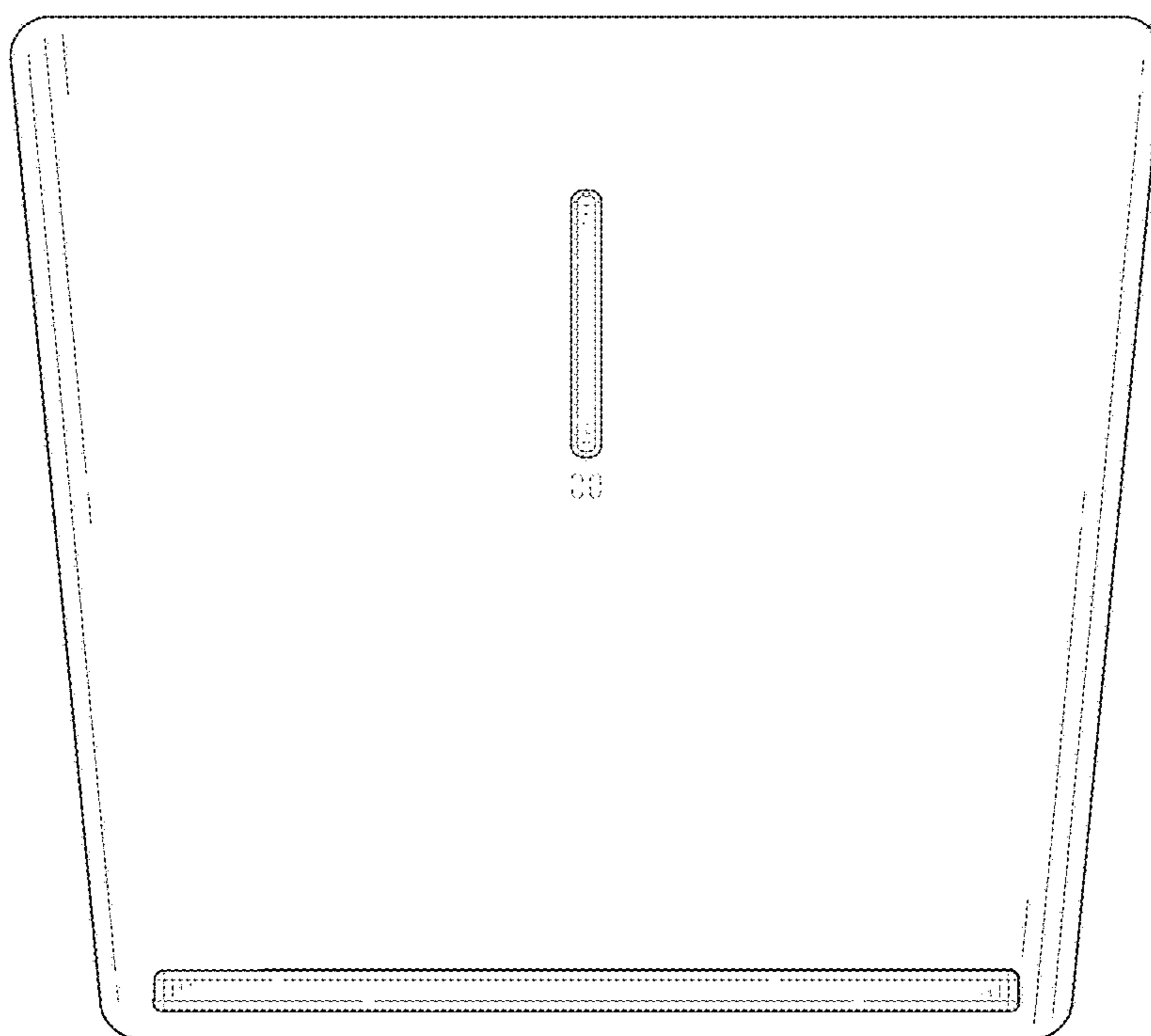


FIG. 3

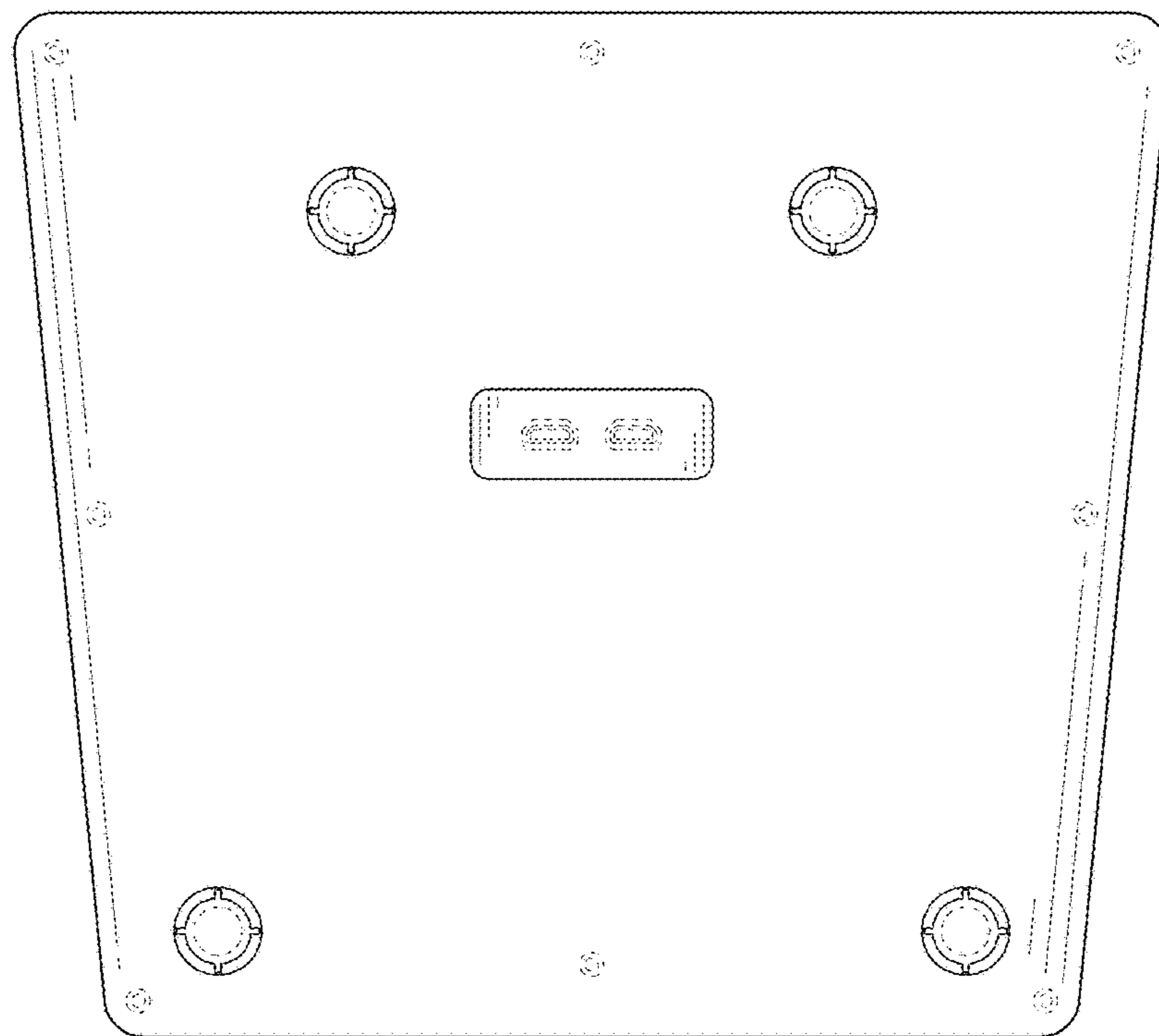


FIG. 4

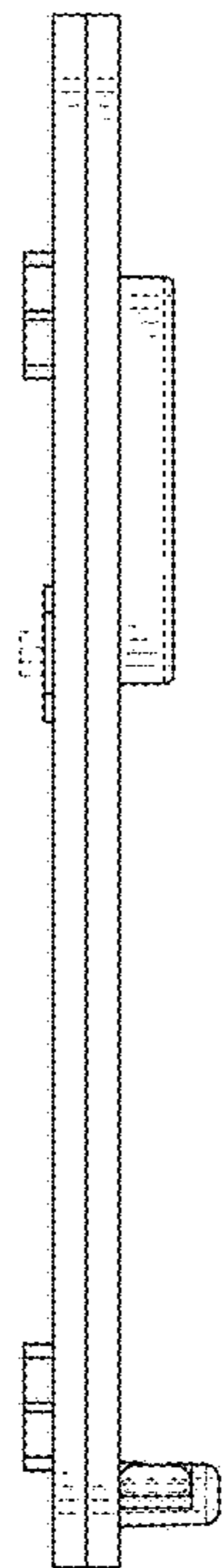


FIG. 5

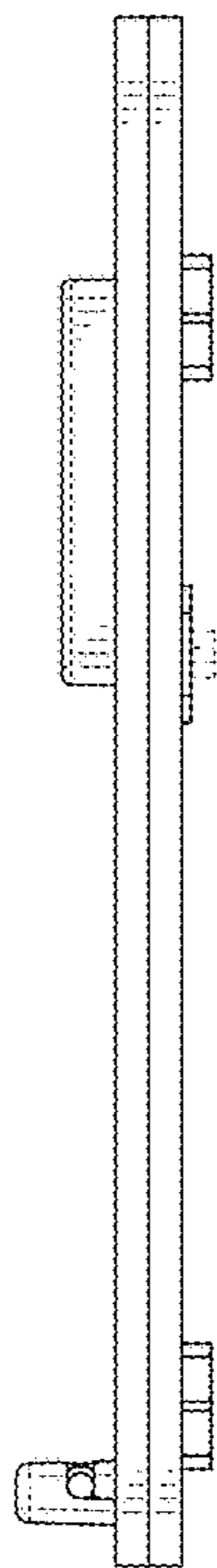


FIG. 6

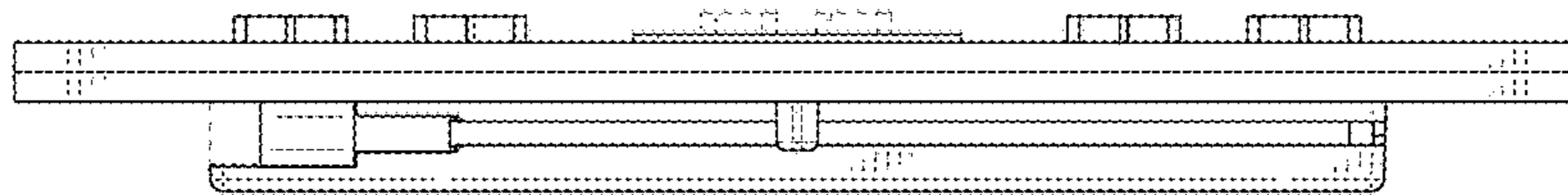


FIG. 7



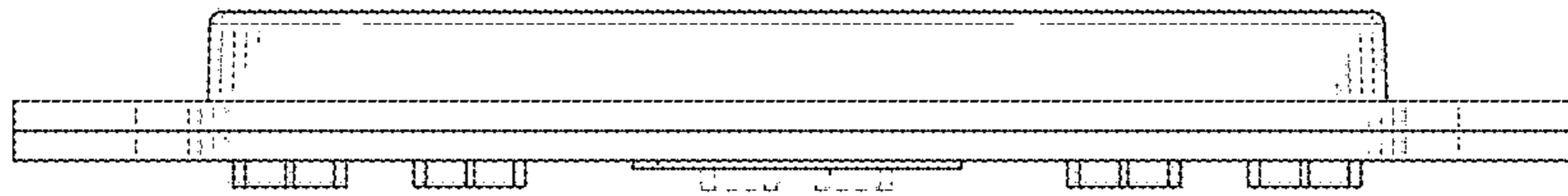


FIG. 8

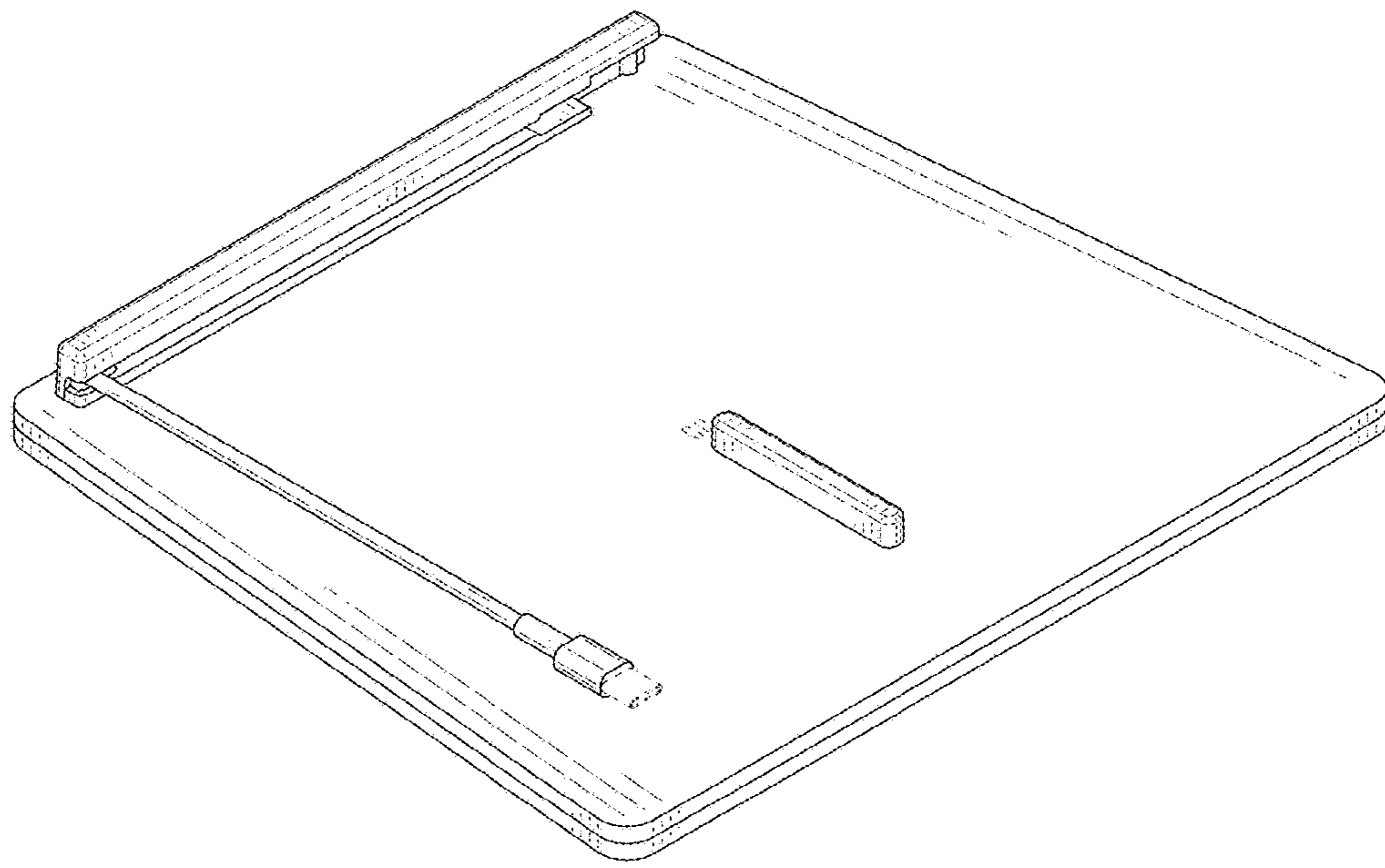


FIG. 9