



US00D863218S

(12) **United States Design Patent**
Chen

(10) **Patent No.:** **US D863,218 S**

(45) **Date of Patent:** **** Oct. 15, 2019**

(54) **WIRELESS CHARGER FOR A CAR**

D806,023 S * 12/2017 Xu D13/108
D845,893 S * 4/2019 Kim D13/107
D850,365 S * 6/2019 Loermann D13/107

(71) Applicant: **shenzhen tangzao keji you xian gong si**, Shenzhen (CN)

(72) Inventor: **Liang Chen**, Shenzhen (CN)

(73) Assignee: **shenzhen tangzao keji you xian gong si**, Shenzhen (CN)

(**) Term: **15 Years**

(21) Appl. No.: **29/697,425**

(22) Filed: **Jul. 8, 2019**

(30) **Foreign Application Priority Data**

Jun. 28, 2019 (CN) 2019 3 0342285

(51) **LOC (12) Cl.** **13-02**

(52) **U.S. Cl.**
USPC **D13/108**

(58) **Field of Classification Search**

USPC D13/107-110, 118-119, 184; D14/251, D14/253, 432, 434

CPC Y02E 60/12; Y02T 90/14; Y02T 90/122; Y02T 90/128; Y02T 90/163; Y02T 10/7005; Y02T 10/7088; H02J 7/025; H02J 7/0042; H02J 7/0044; H02J 7/0045; H02J 7/0003; H01F 38/14; H01R 13/6675; H01M 2/1022; H01M 2/1055; H01M 10/44; H01M 10/46; H01M 10/425; B60L 11/182

See application file for complete search history.

(56) **References Cited**

U.S. PATENT DOCUMENTS

D618,614 S * 6/2010 Symons D13/108
D759,018 S * 6/2016 Subramaniam D14/434

FOREIGN PATENT DOCUMENTS

CN 304798054 S 9/2018
CN 304838899 S 10/2018
CN 304980365 S 1/2019
CN 305119761 S 4/2019

* cited by examiner

Primary Examiner — Rosemary K Tarcza

(74) *Attorney, Agent, or Firm* — ScienBiziP, P.C.

(57) **CLAIM**

The ornamental design for a wireless charger for a car, as shown and described.

DESCRIPTION

FIG. 1 is a front perspective view of a wireless charger for a car showing my design.

FIG. 2 is a bottom rear perspective view of the wireless charger for a car.

FIG. 3 is a front elevation view thereof.

FIG. 4 is a rear elevation view thereof.

FIG. 5 is a left side elevation view thereof.

FIG. 6 is a right side elevation view thereof.

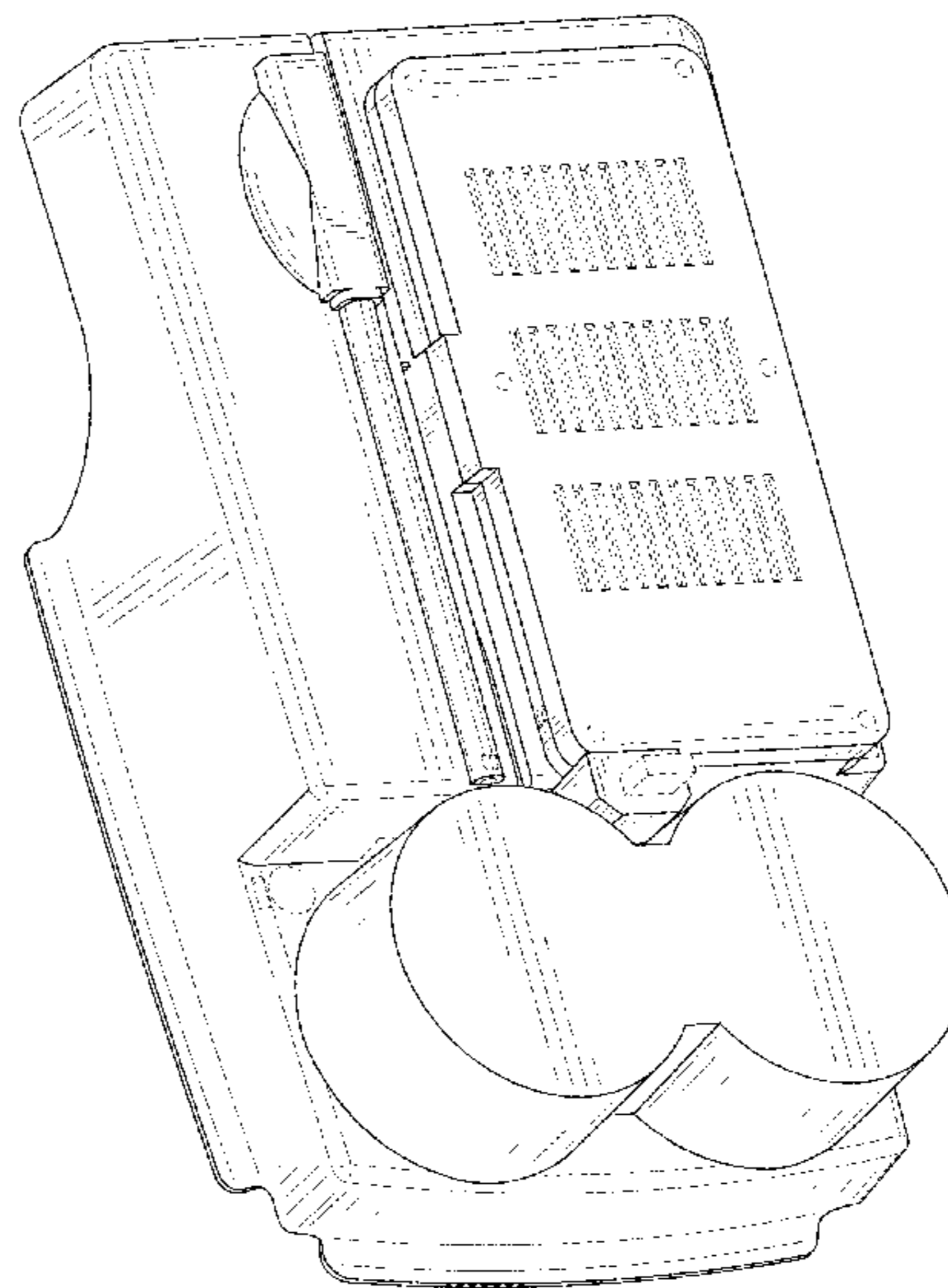
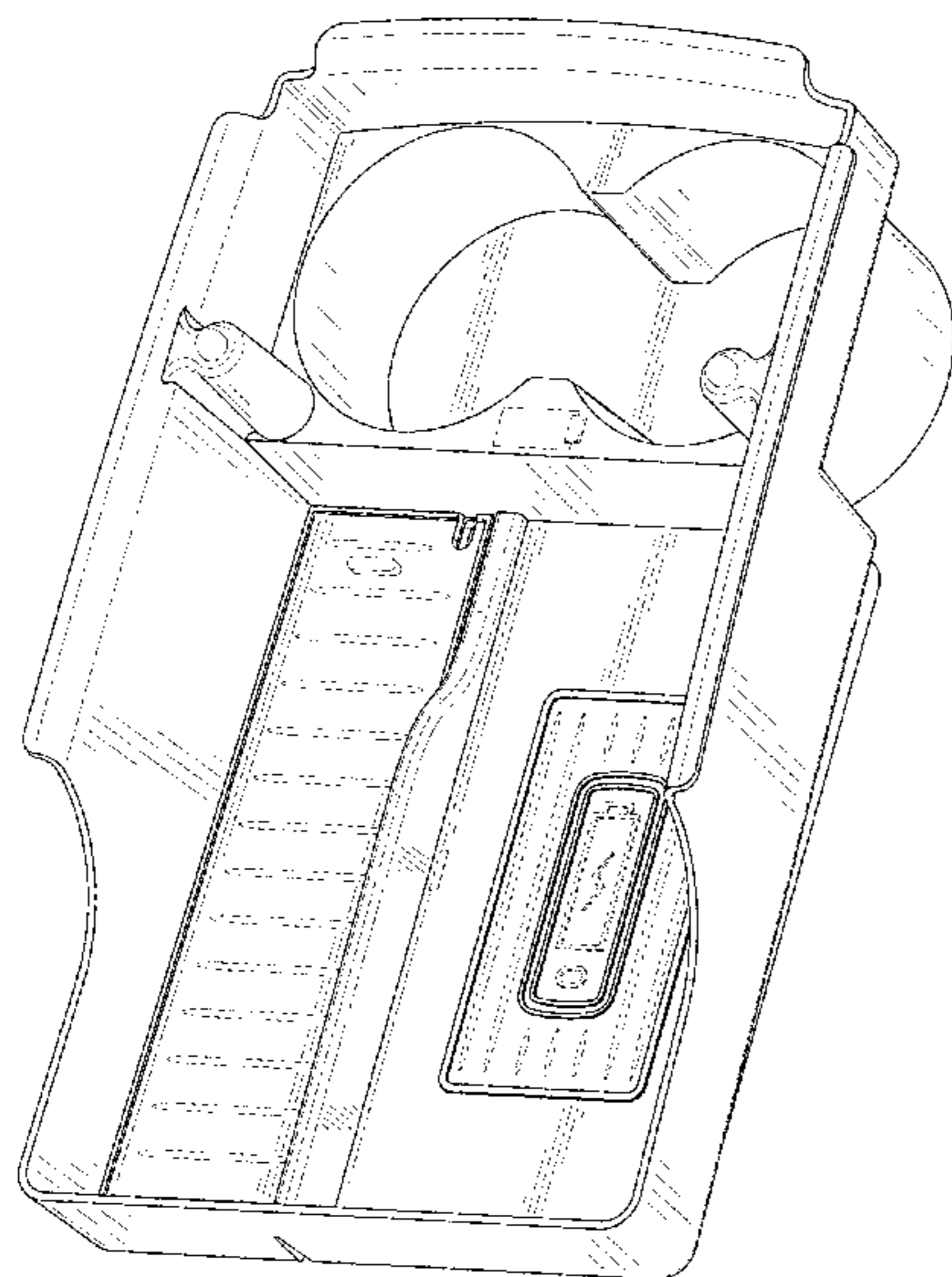
FIG. 7 is a top plan view thereof.

FIG. 8 is a bottom plan view thereof.

FIG. 9 is an exploded front perspective view thereof; and, FIG. 10 is a front perspective view thereof, shown in an environment of use.

The broken lines shown in the drawings are for the purpose of illustrating environmental structure and portions of the wireless charger for a car which form no part of the claimed design.

1 Claim, 10 Drawing Sheets



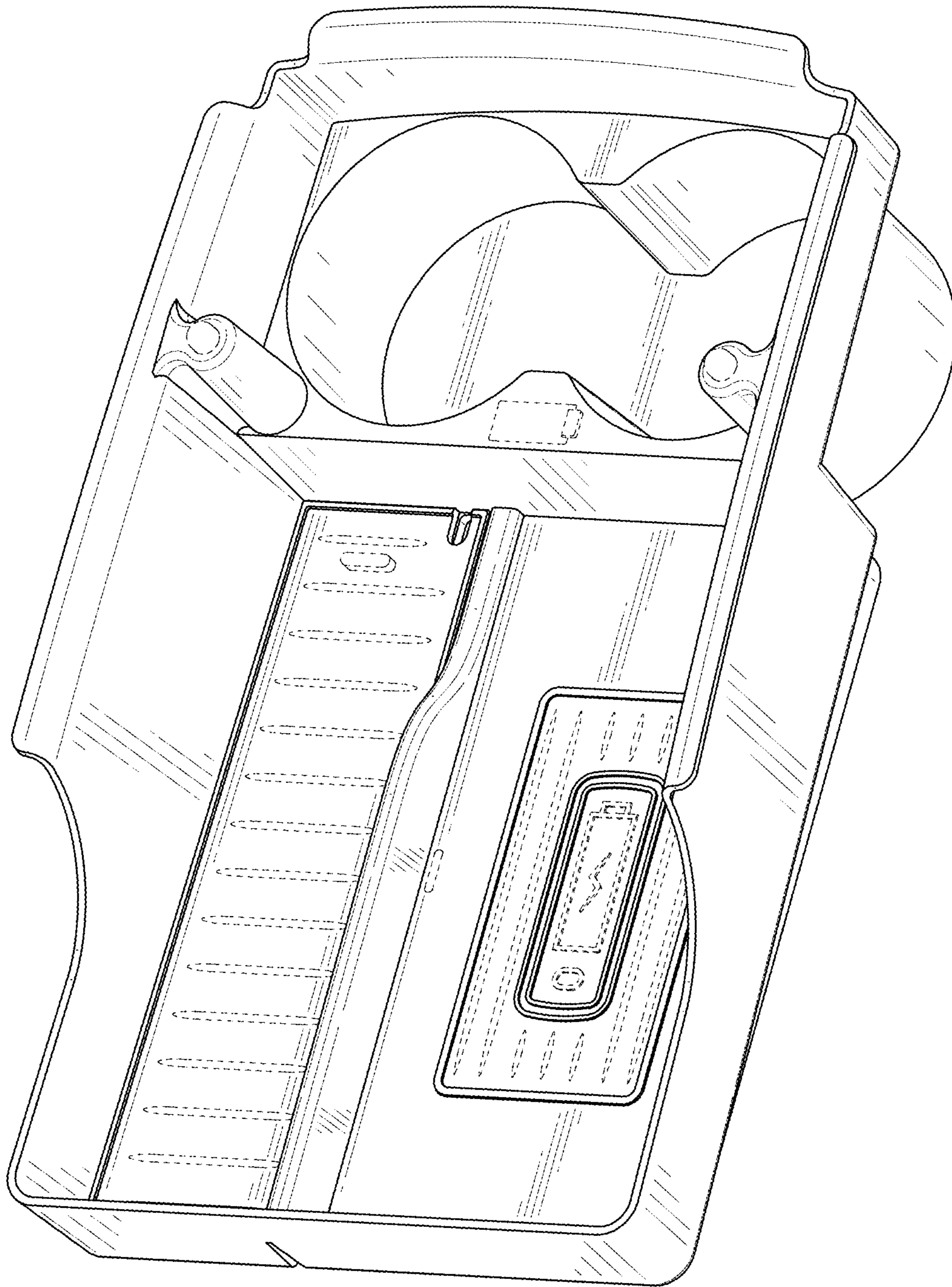


FIG. 1

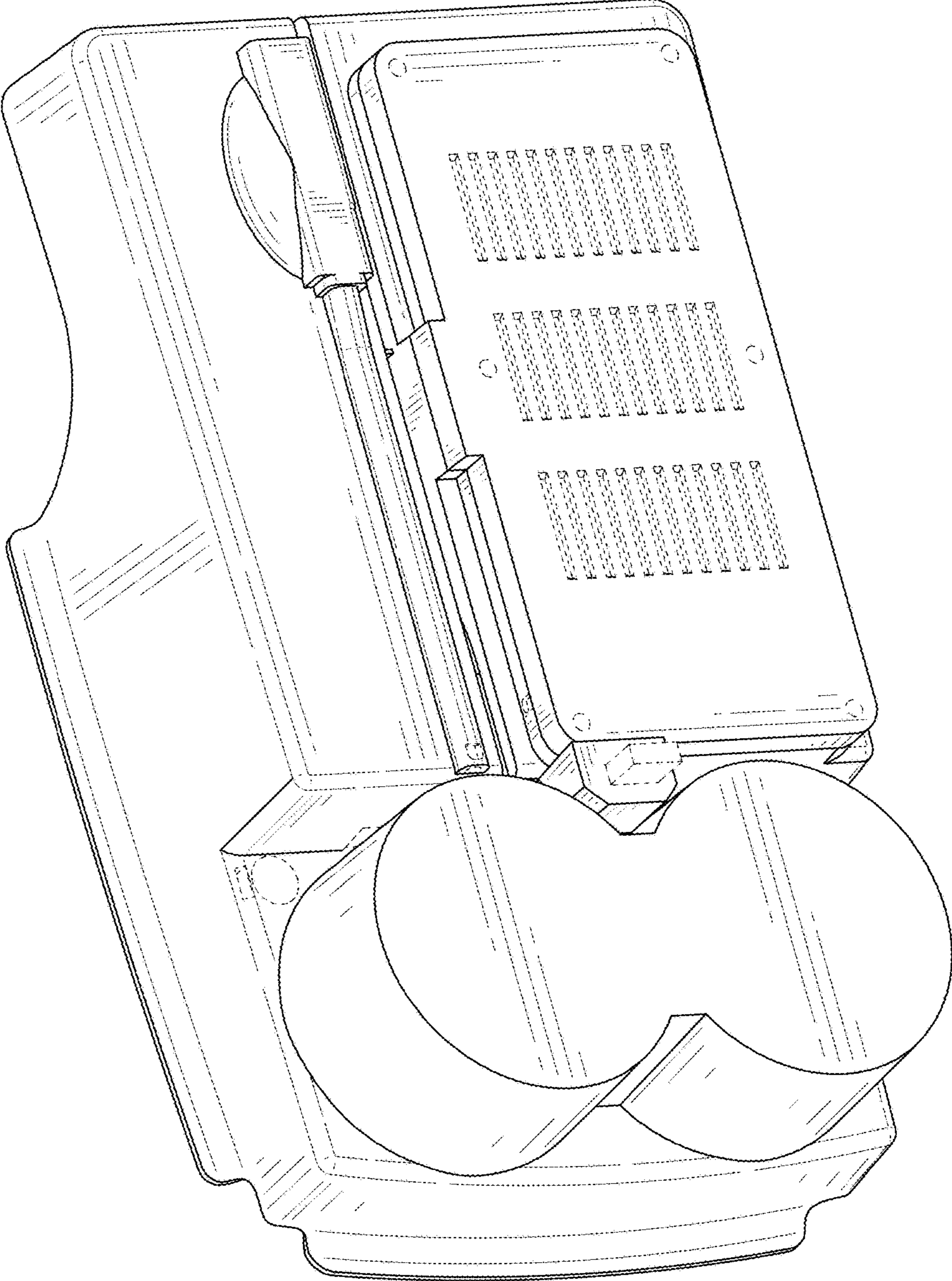


FIG. 2

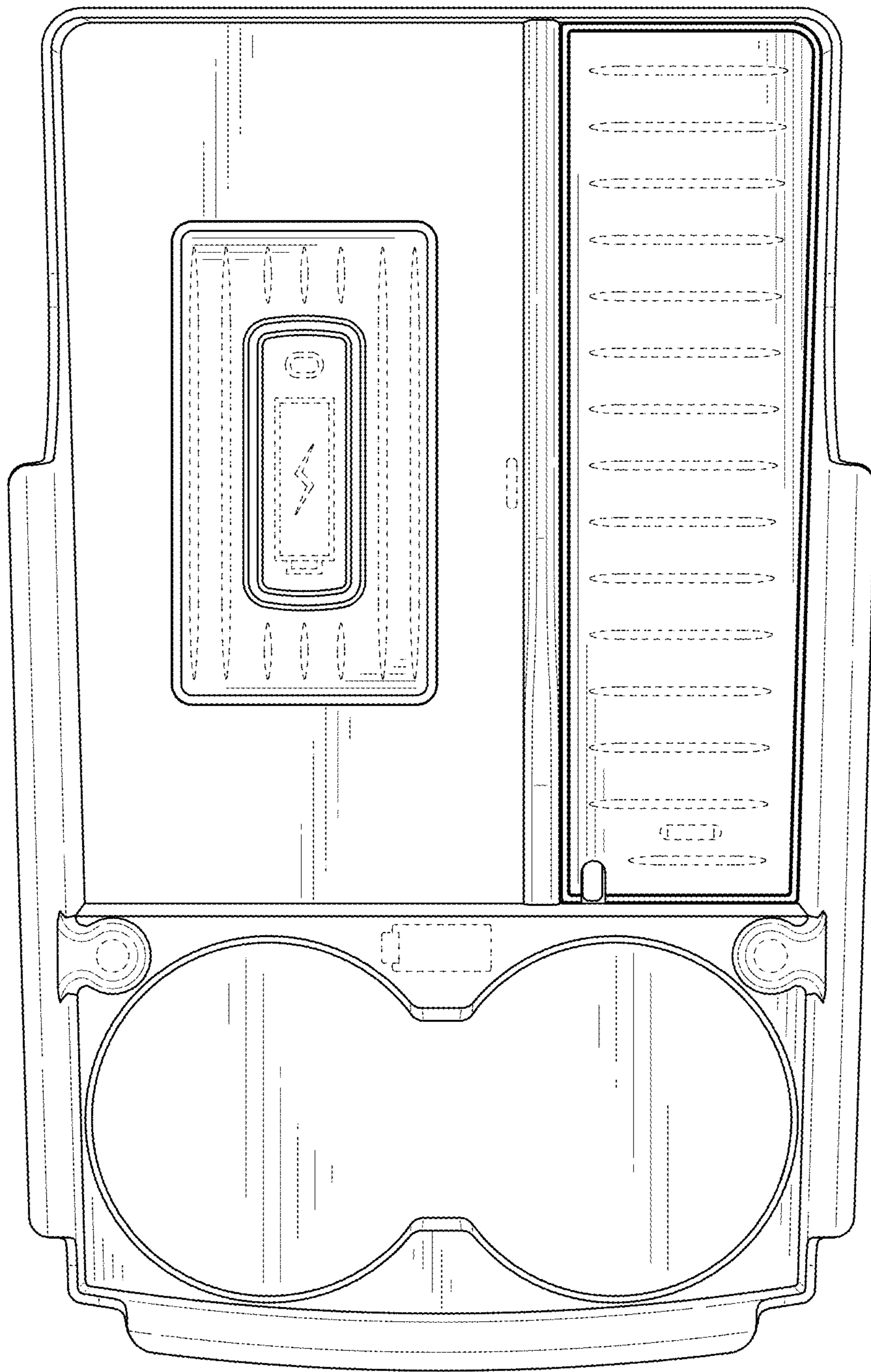


FIG. 3

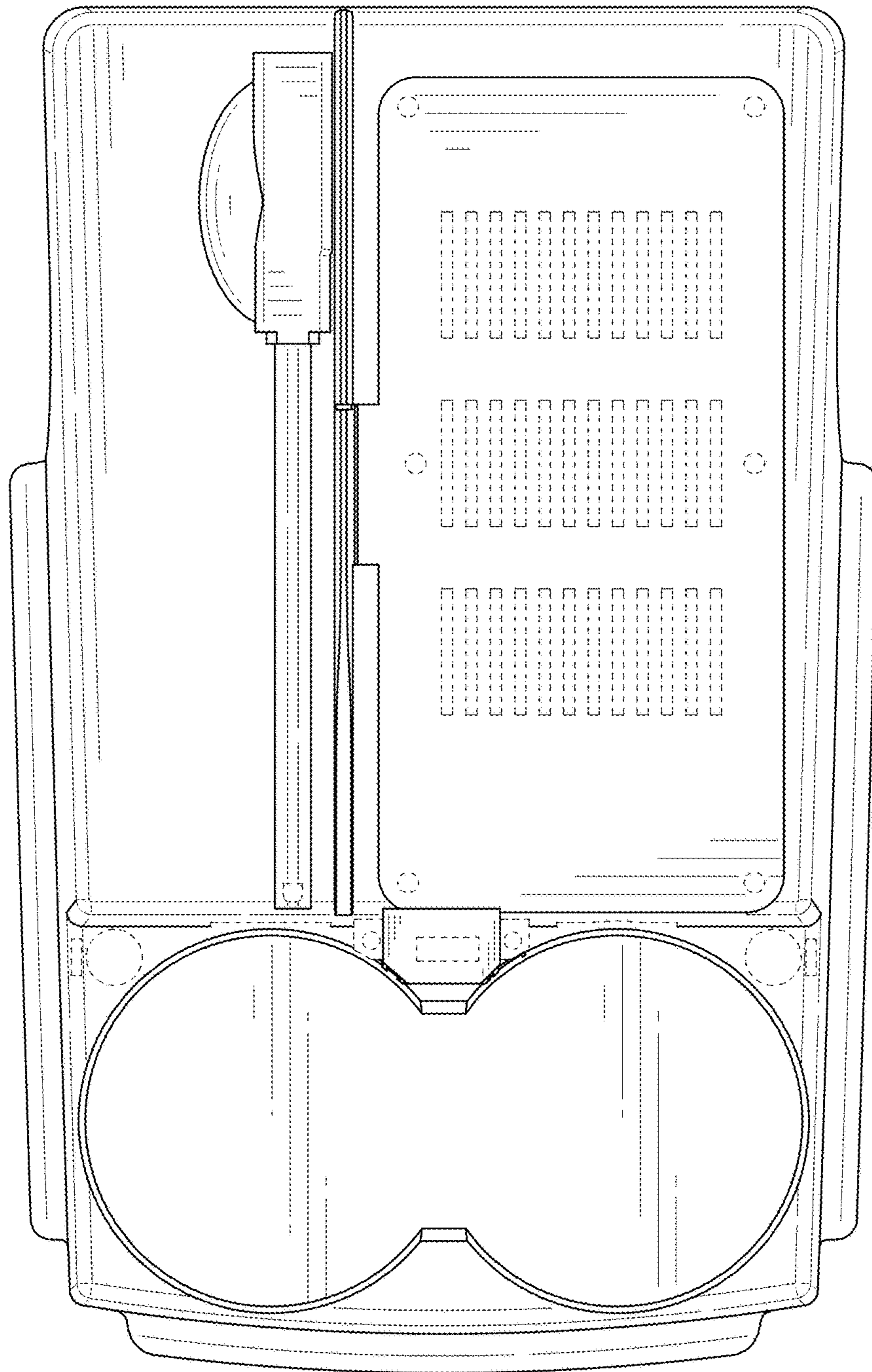


FIG. 4

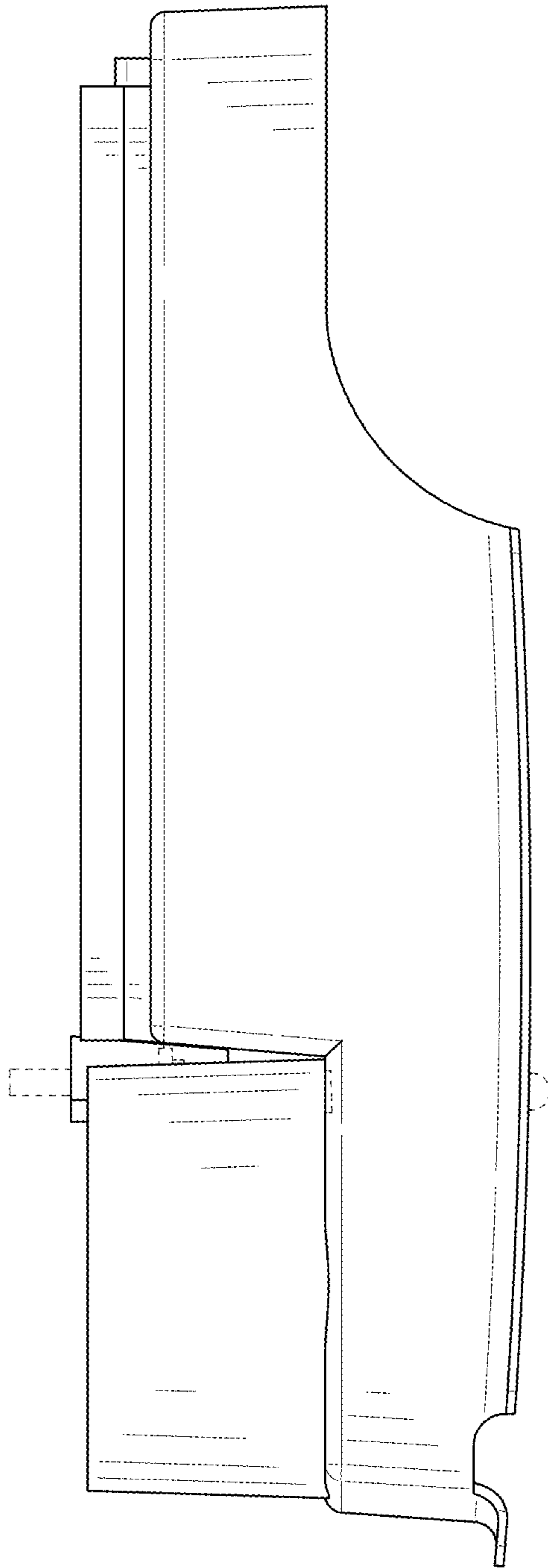


FIG. 5

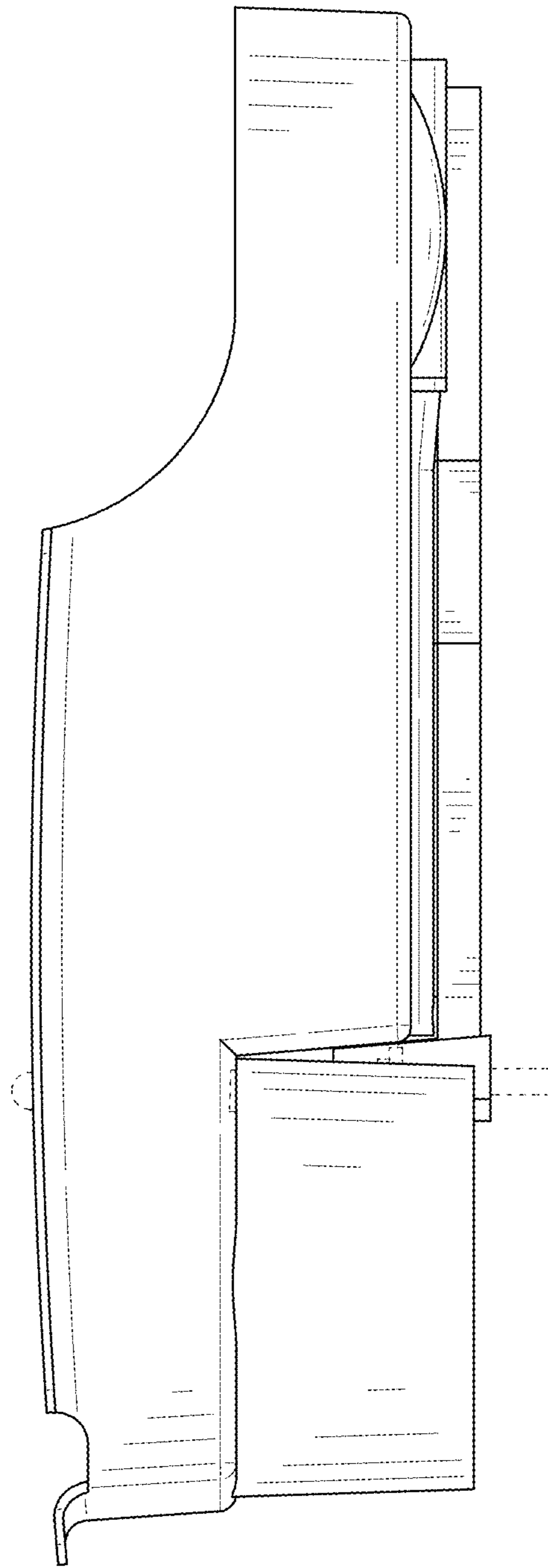


FIG. 6

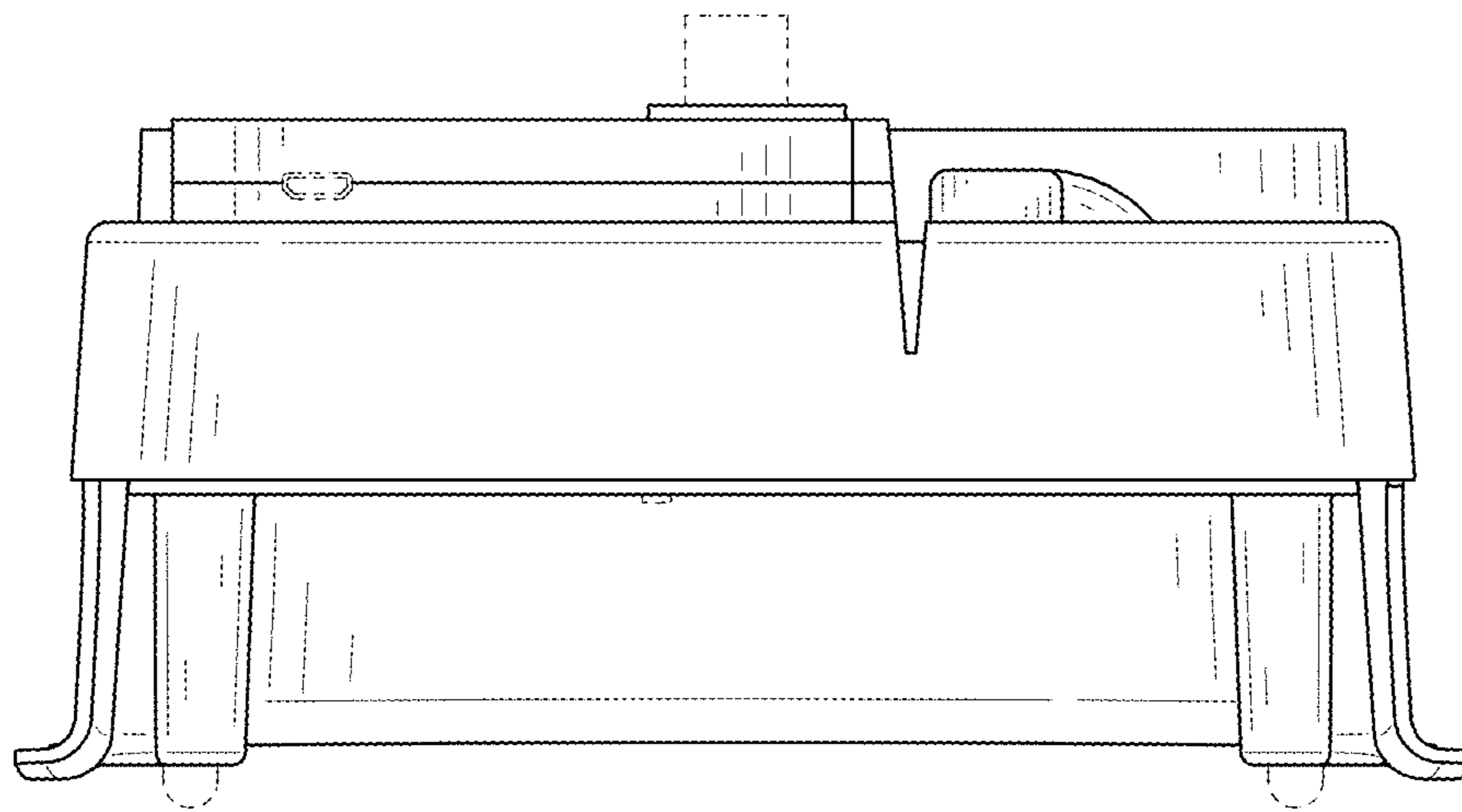


FIG. 7

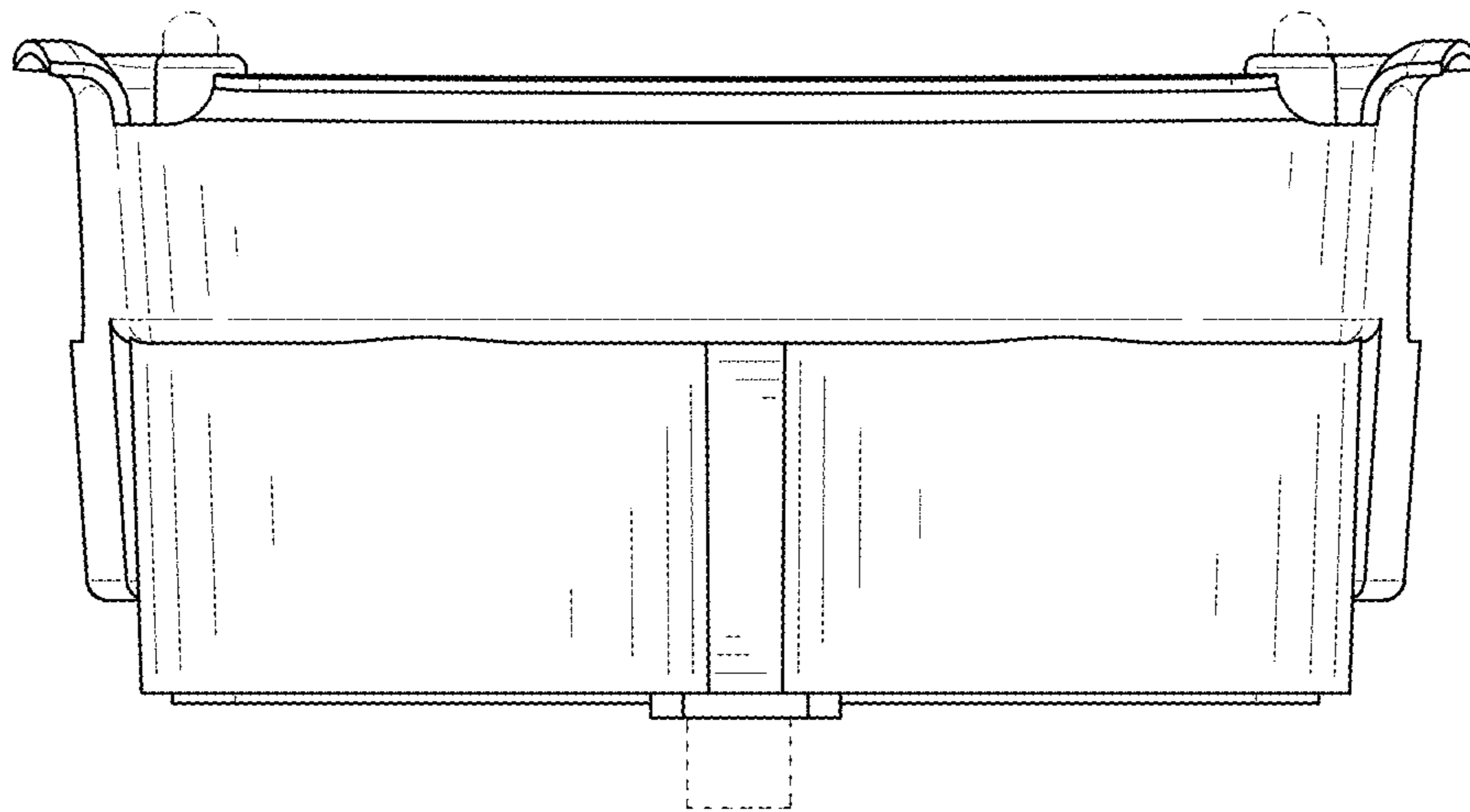


FIG. 8

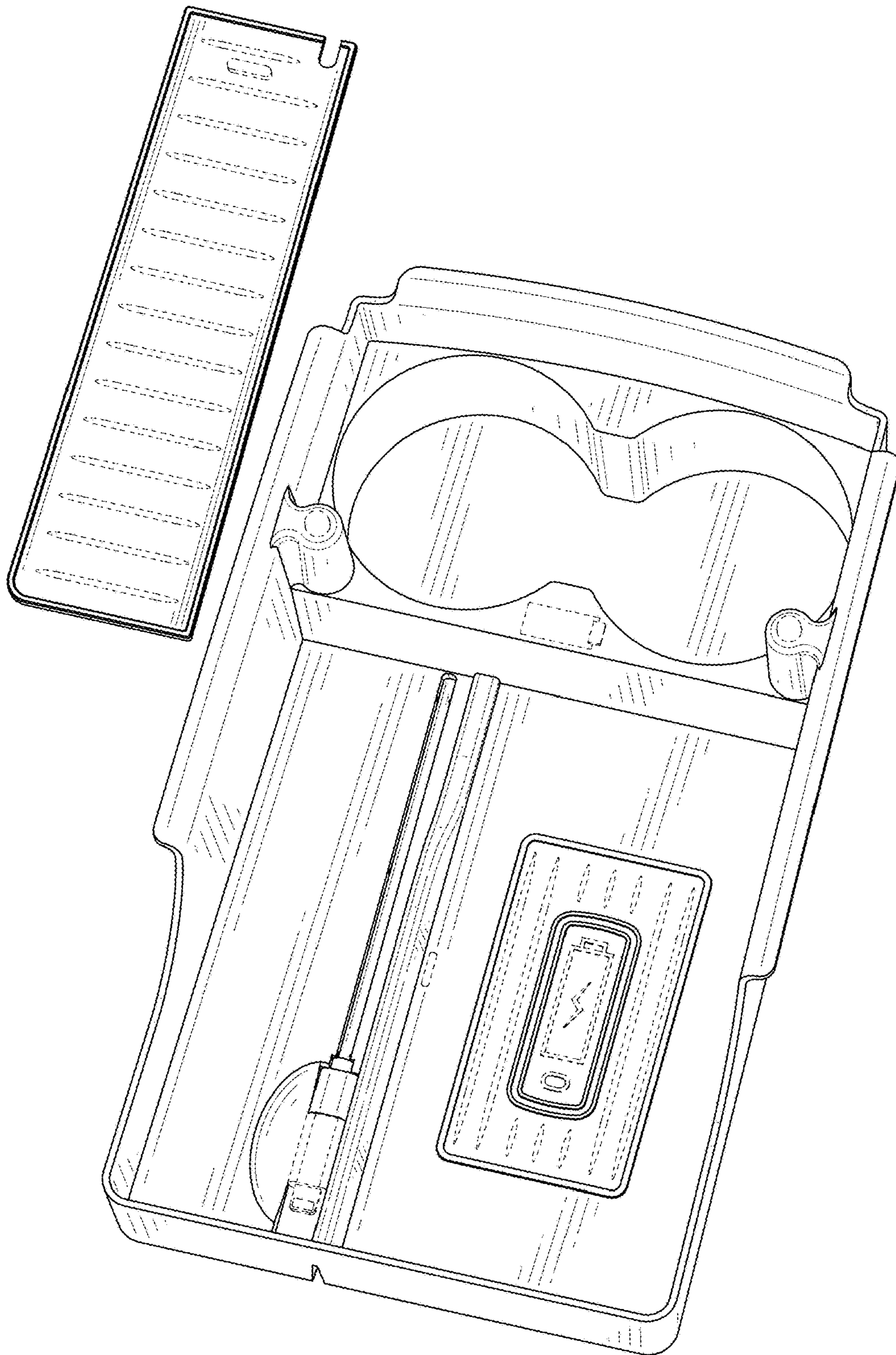


FIG. 9

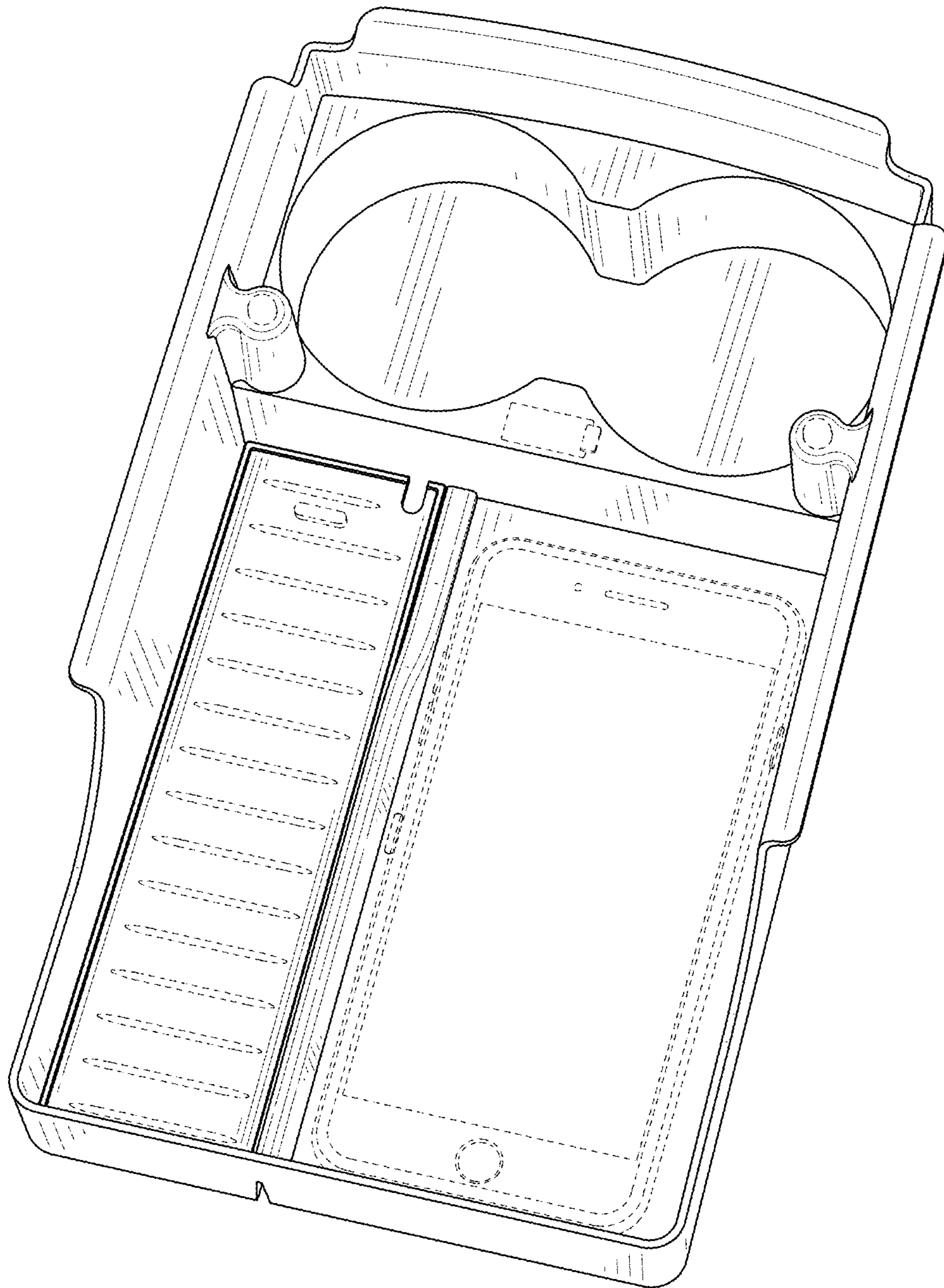


FIG. 10