



US00D863217S

(12) **United States Design Patent** (10) **Patent No.:** **US D863,217 S**  
**Jin** (45) **Date of Patent:** **\*\* Oct. 15, 2019**

(54) **CHARGER**

(71) Applicant: **Wei Jin**, Shenzhen (CN)

(72) Inventor: **Wei Jin**, Shenzhen (CN)

(\*\*) Term: **15 Years**

(21) Appl. No.: **29/617,058**

(22) Filed: **Sep. 11, 2017**

(30) **Foreign Application Priority Data**

Apr. 1, 2017 (CN) ..... 2017 3 0106063

(51) **LOC (12) Cl.** ..... **13-02**

(52) **U.S. Cl.**  
USPC ..... **D13/108**

(58) **Field of Classification Search**

USPC ..... D13/152, 119, 147, 156, 177, 184, 107,  
D13/108, 110, 123, 133, 137.1–137.4,  
D13/138.1–138.2, 139.1–139.8, 153, 154,  
D13/146, 158, 103; D8/350, 351–353;  
D25/119, 127, 134, 48.4; D26/74, 138;  
D14/251, 253, 432, 434

CPC ..... F21S 8/02; F21V 23/00; F21V 23/001;  
H01R 25/00; H01R 25/006; H01R 11/00;  
H01R 9/00; H01R 13/5845; H01R 13/72;  
H01R 31/06; H01R 24/28; H01R 13/46;  
H01R 13/6675; F16J 13/10; F16B 5/02;  
H02J 2007/0062; H02J 7/025; H02J  
7/0042; H02J 7/0044; H02J 7/0045; H02J  
7/0003; H02J 2001/008; H02J 3/32; H02J  
3/008; H02J 7/0027; H02J 7/0013; H02J  
7/0054; H02J 7/00; H01B 7/2806; Y02E  
60/12; Y02T 90/14; Y02T 90/122; Y02T  
90/128; Y02T 90/163; H01F 38/14;  
H01M 2/1022; H01M 2/1055; H01M  
10/44; H01M 10/46; H01M 10/425; B60L  
11/182; B60L 11/1809; B60L 11/1861;  
B60R 16/03

See application file for complete search history.

(56) **References Cited**

U.S. PATENT DOCUMENTS

5,923,147 A \* 7/1999 Martensson ..... B60L 11/1818  
320/111  
D627,729 S \* 11/2010 Smith ..... D13/108  
D699,674 S \* 2/2014 Man ..... D13/108

(Continued)

*Primary Examiner* — Rosemary K Tarcza

*Assistant Examiner* — Christy M Nemeth

(74) *Attorney, Agent, or Firm* — David G. Woodral;  
Gable Gotwals

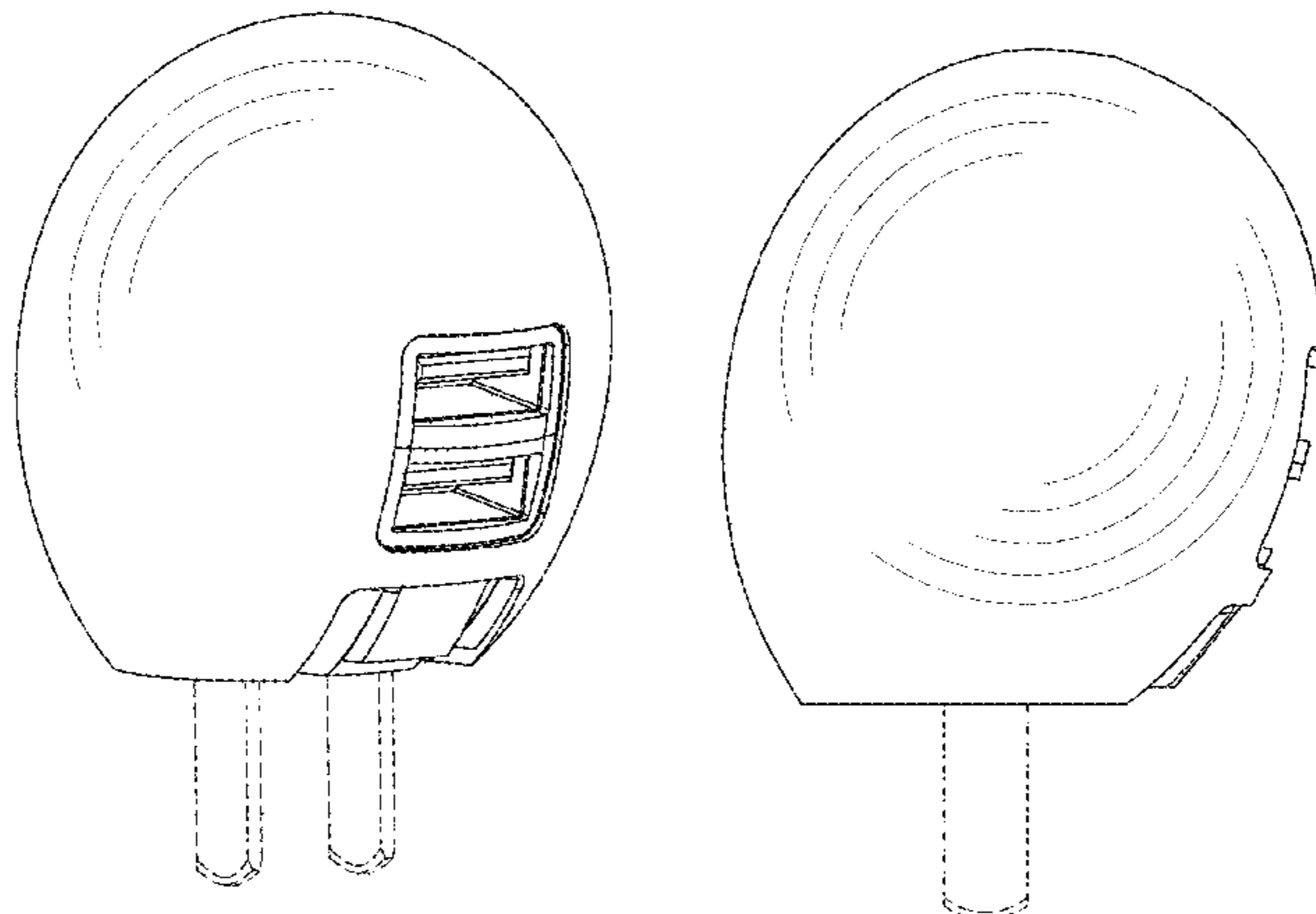
(57) **CLAIM**

The ornamental design for a charger, as shown and described.

**DESCRIPTION**

FIG. 1 is a perspective view of the charger;  
FIG. 2 is a front view thereof;  
FIG. 3 is a rear view thereof;  
FIG. 4 is a left view thereof;  
FIG. 5 is a right view thereof;  
FIG. 6 is a top view thereof;  
FIG. 7 is a bottom view thereof;  
FIG. 8 is a perspective view of the charger in its folded configuration;  
FIG. 9 is a front view of the charger in its folded configuration;  
FIG. 10 is a rear view of the charger in its folded configuration;  
FIG. 11 is a left view of the charger in its folded configuration;  
FIG. 12 is a right view of the charger in its folded configuration; and,  
FIG. 13 is a bottom view of the charger in its folded configuration.  
The broken lines in the drawings are for the purpose of illustrating portions of the charger that form no part of the claimed design.

**1 Claim, 13 Drawing Sheets**



(56)

**References Cited**

U.S. PATENT DOCUMENTS

|           |    |   |         |       |       |             |
|-----------|----|---|---------|-------|-------|-------------|
| D712,829  | S  | * | 9/2014  | Huang | ..... | D13/110     |
| D719,092  | S  | * | 12/2014 | Huang | ..... | D13/110     |
| D730,823  | S  | * | 6/2015  | Leung | ..... | D13/108     |
| D798,233  | S  | * | 9/2017  | Huang | ..... | D13/108     |
| D804,412  | S  | * | 12/2017 | Huang | ..... | D13/108     |
| 9,866,044 | B1 | * | 1/2018  | Bell  | ..... | H02J 7/0042 |

\* cited by examiner

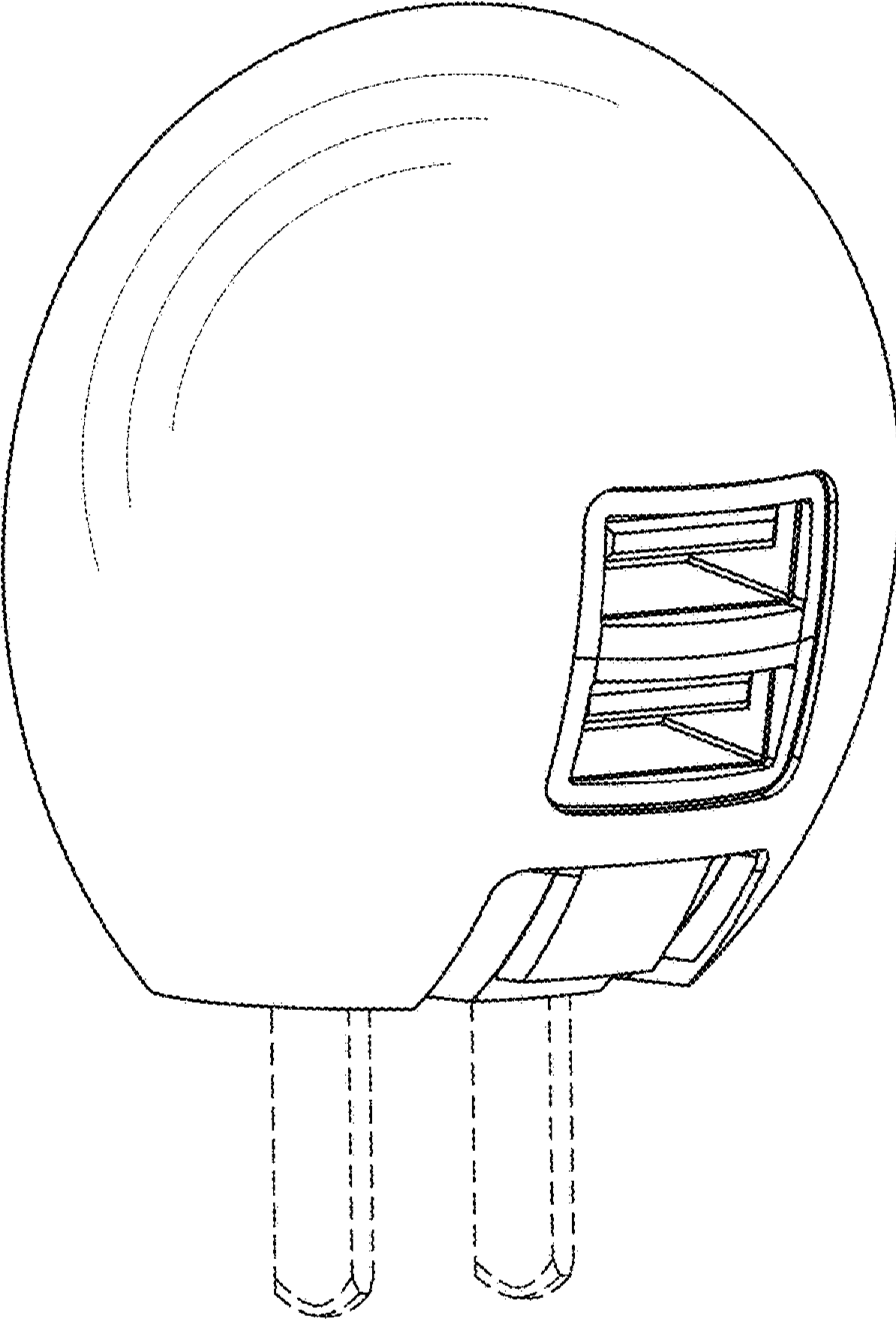


FIG.1

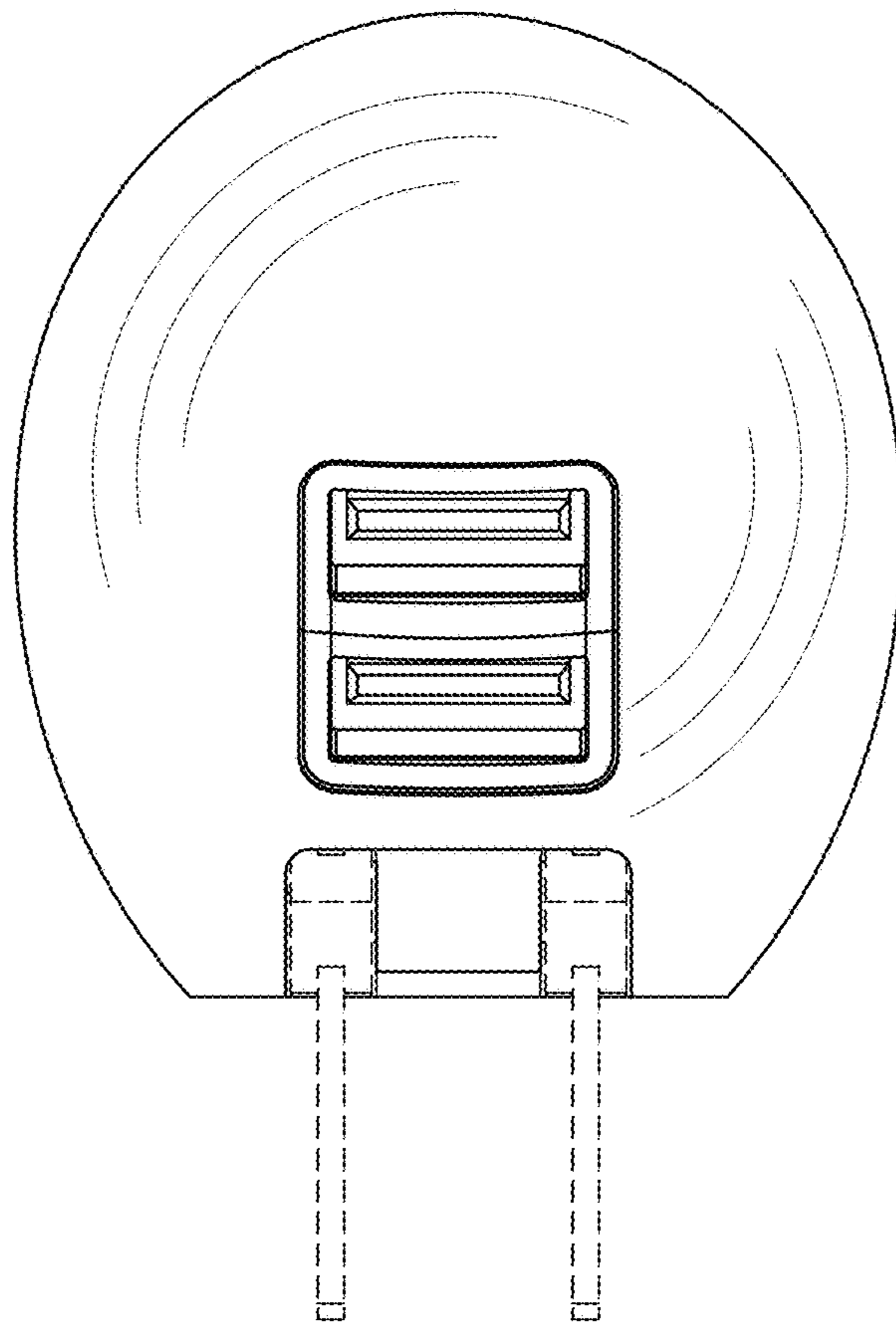


FIG.2

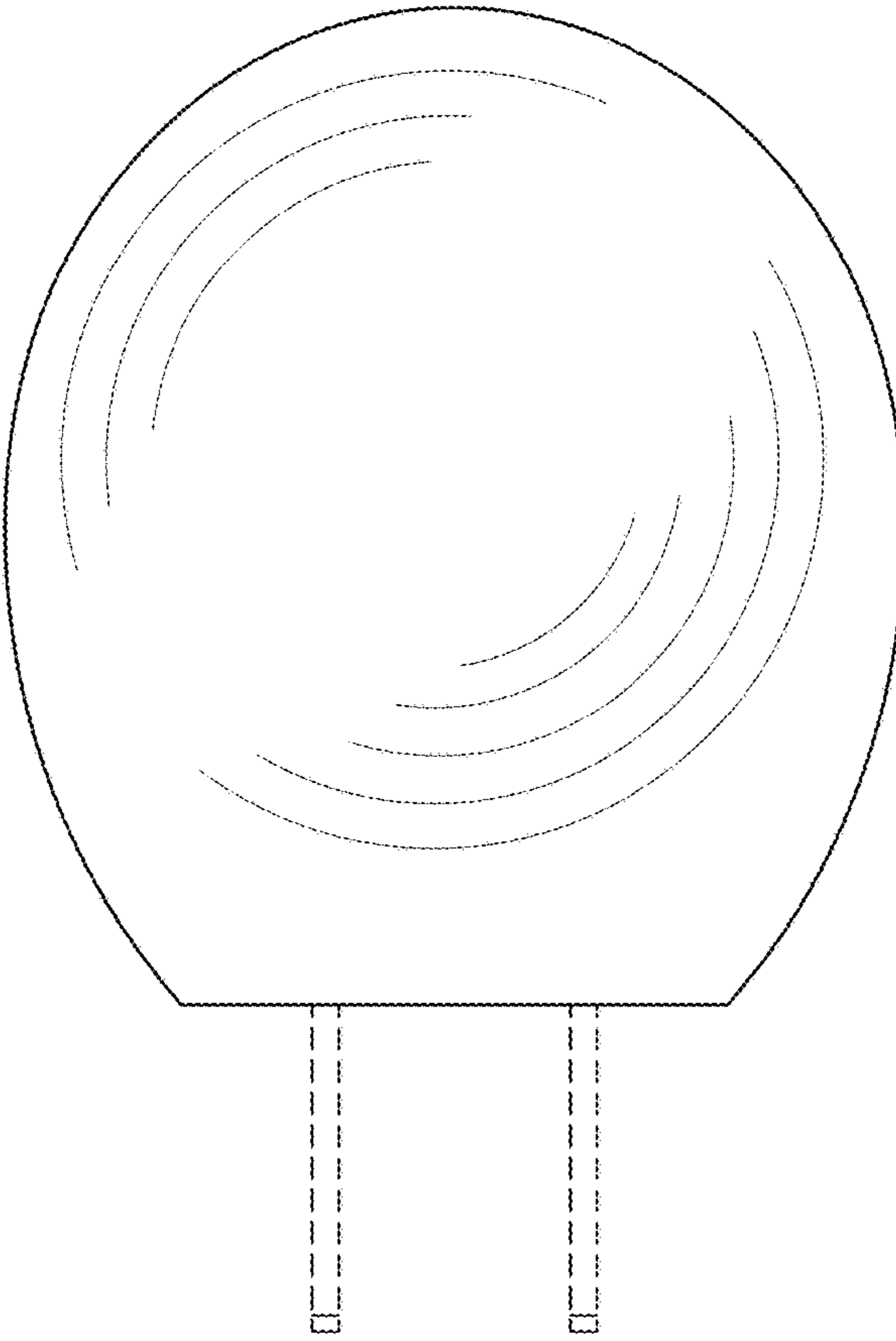


FIG.3

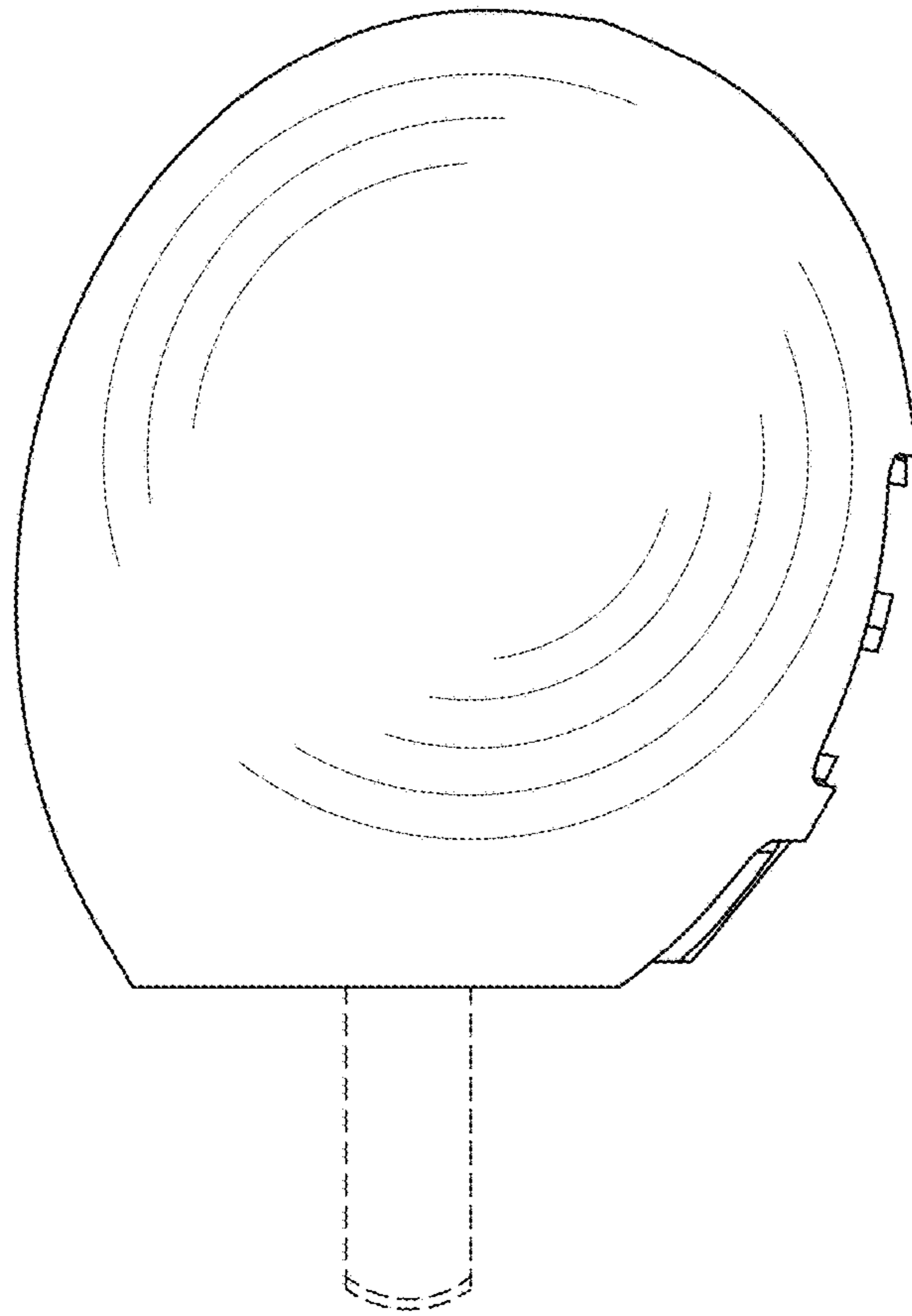


FIG.4

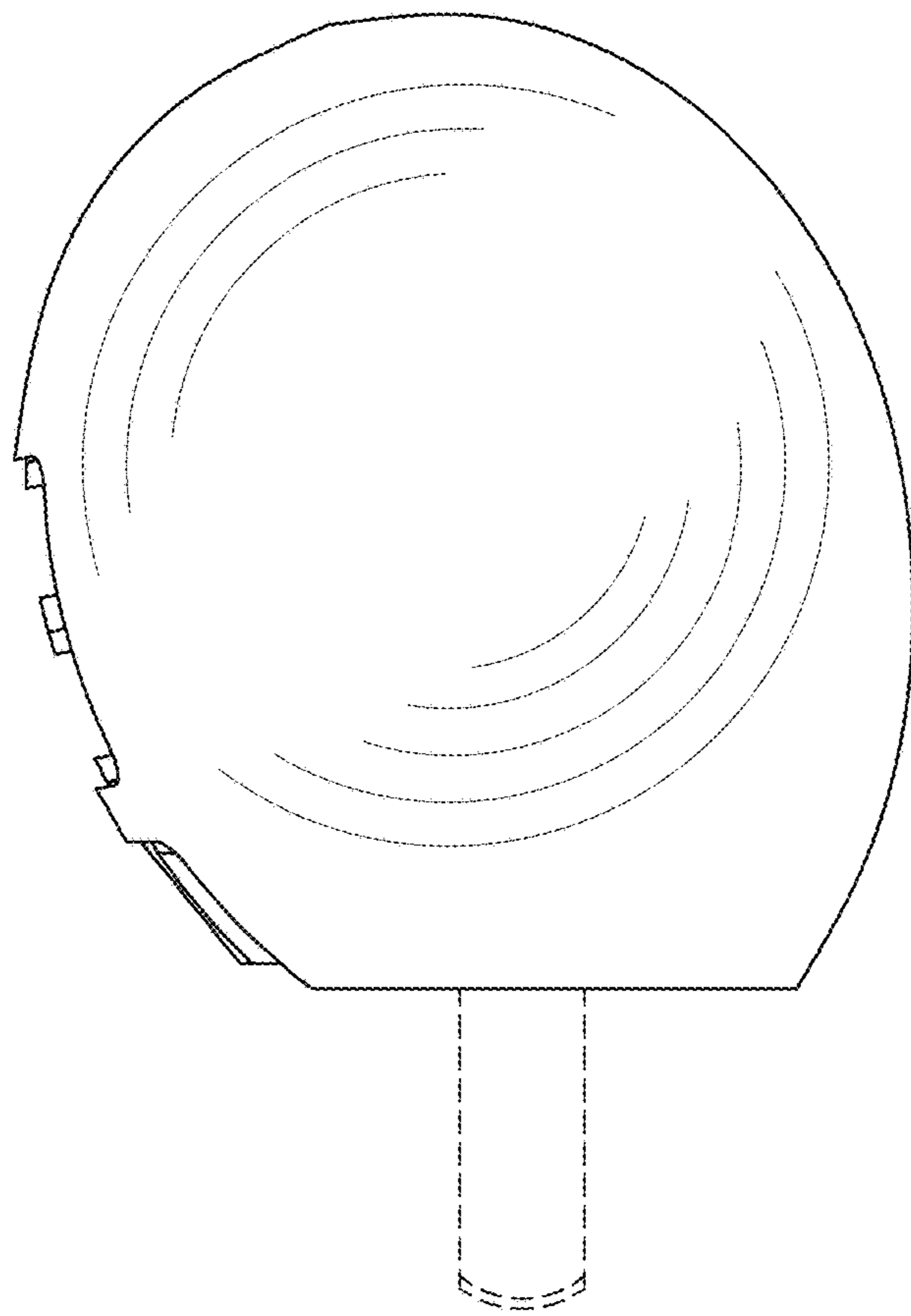


FIG.5

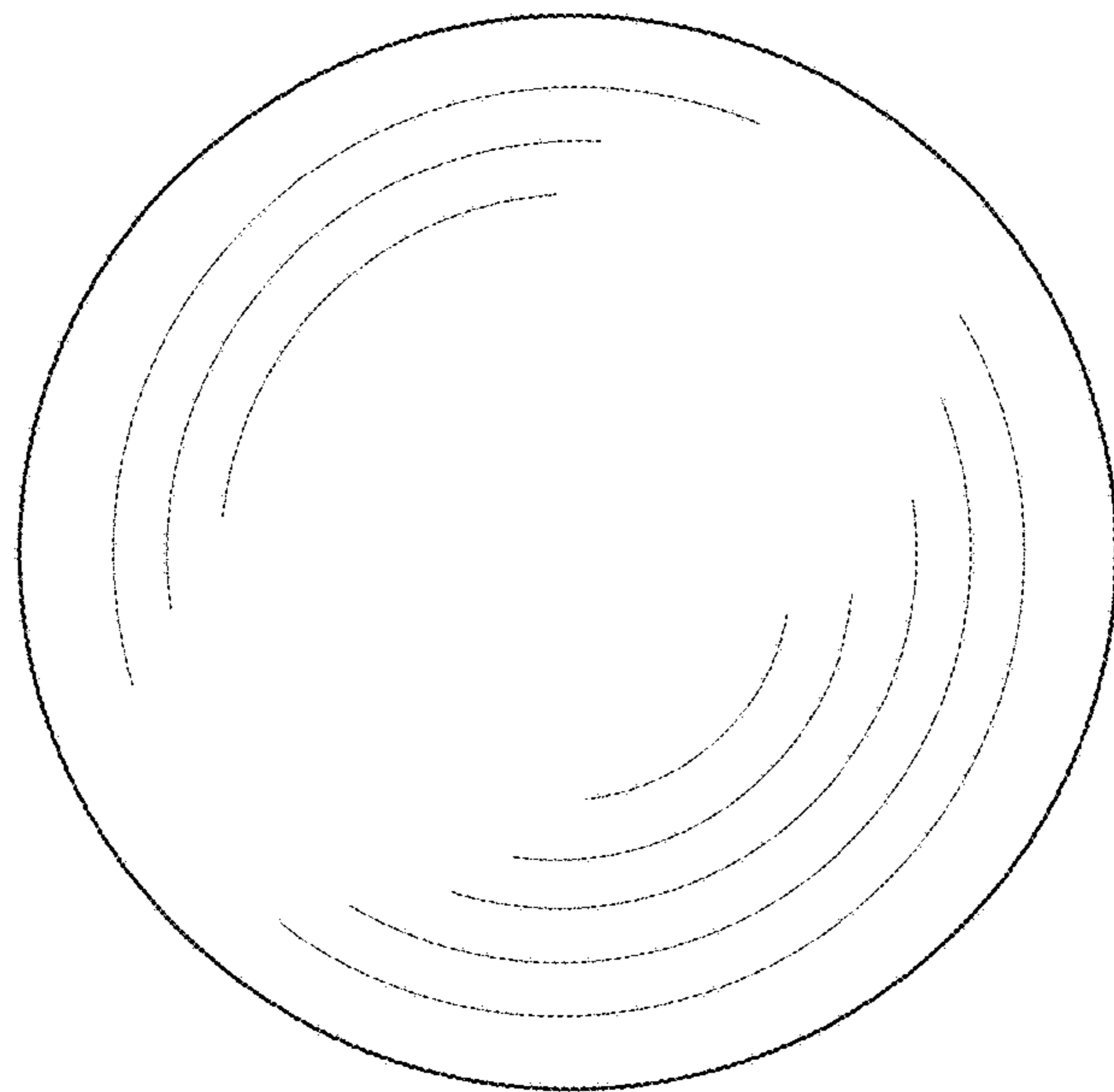


FIG.6



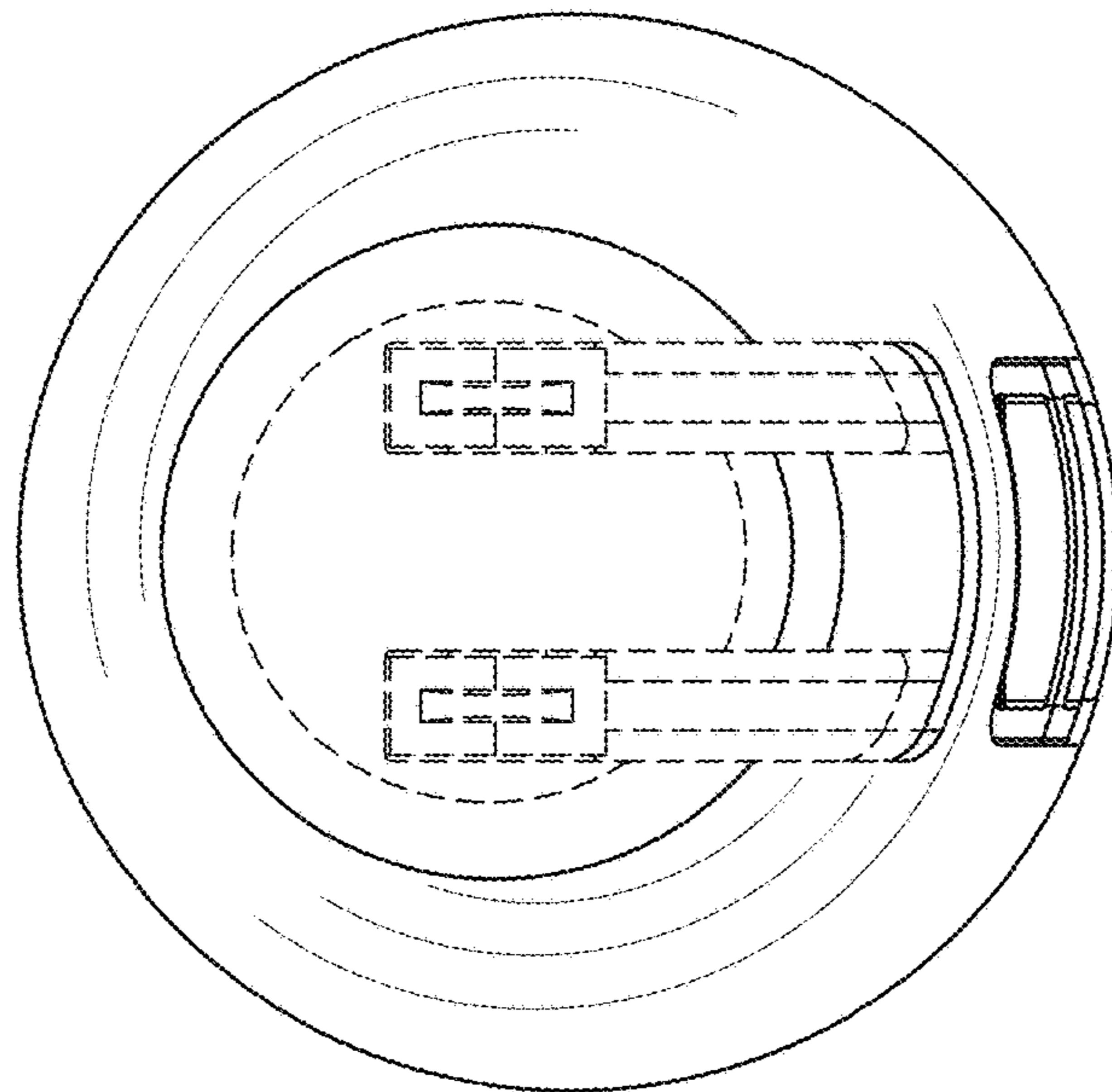


FIG.7

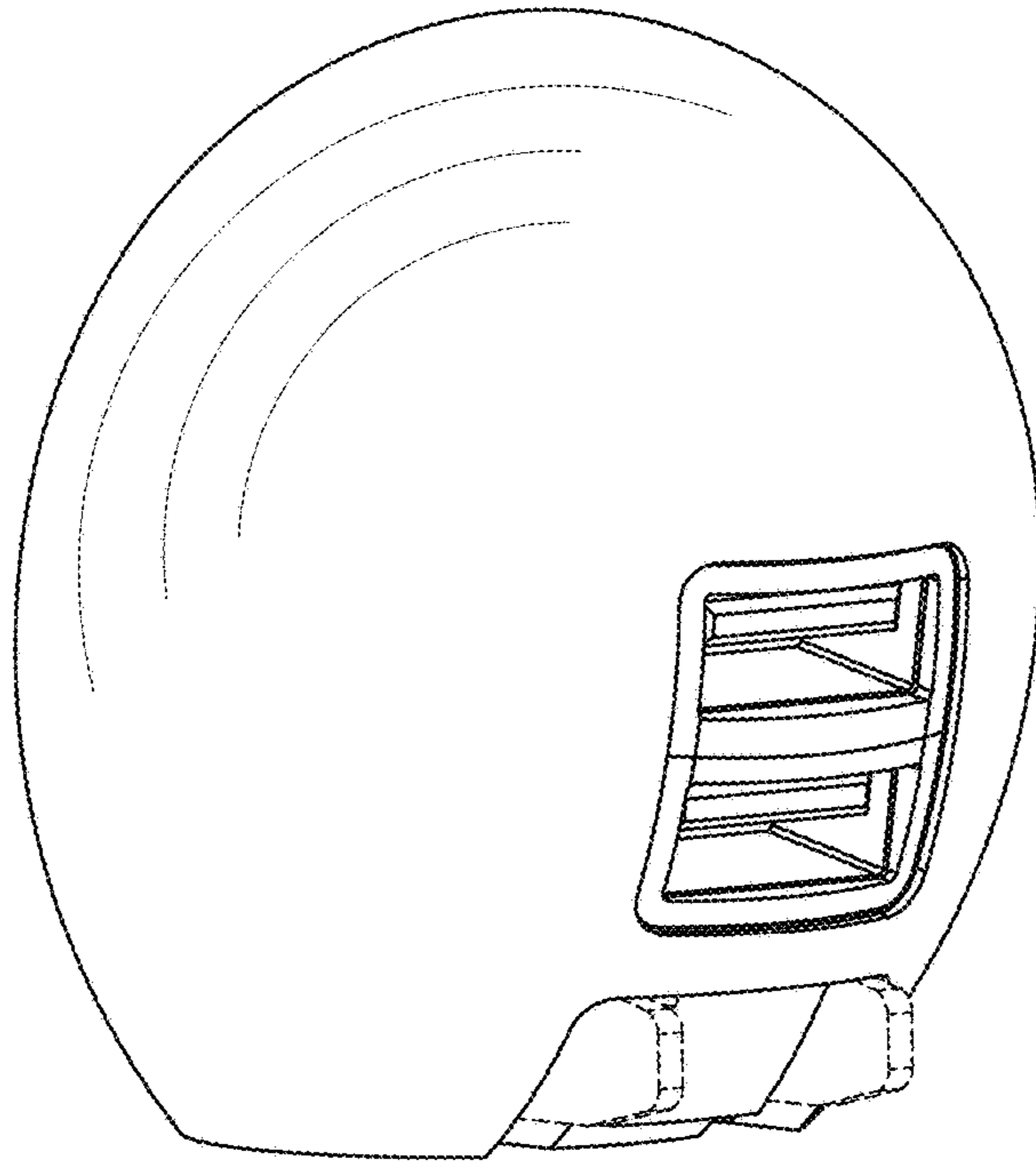


FIG.8

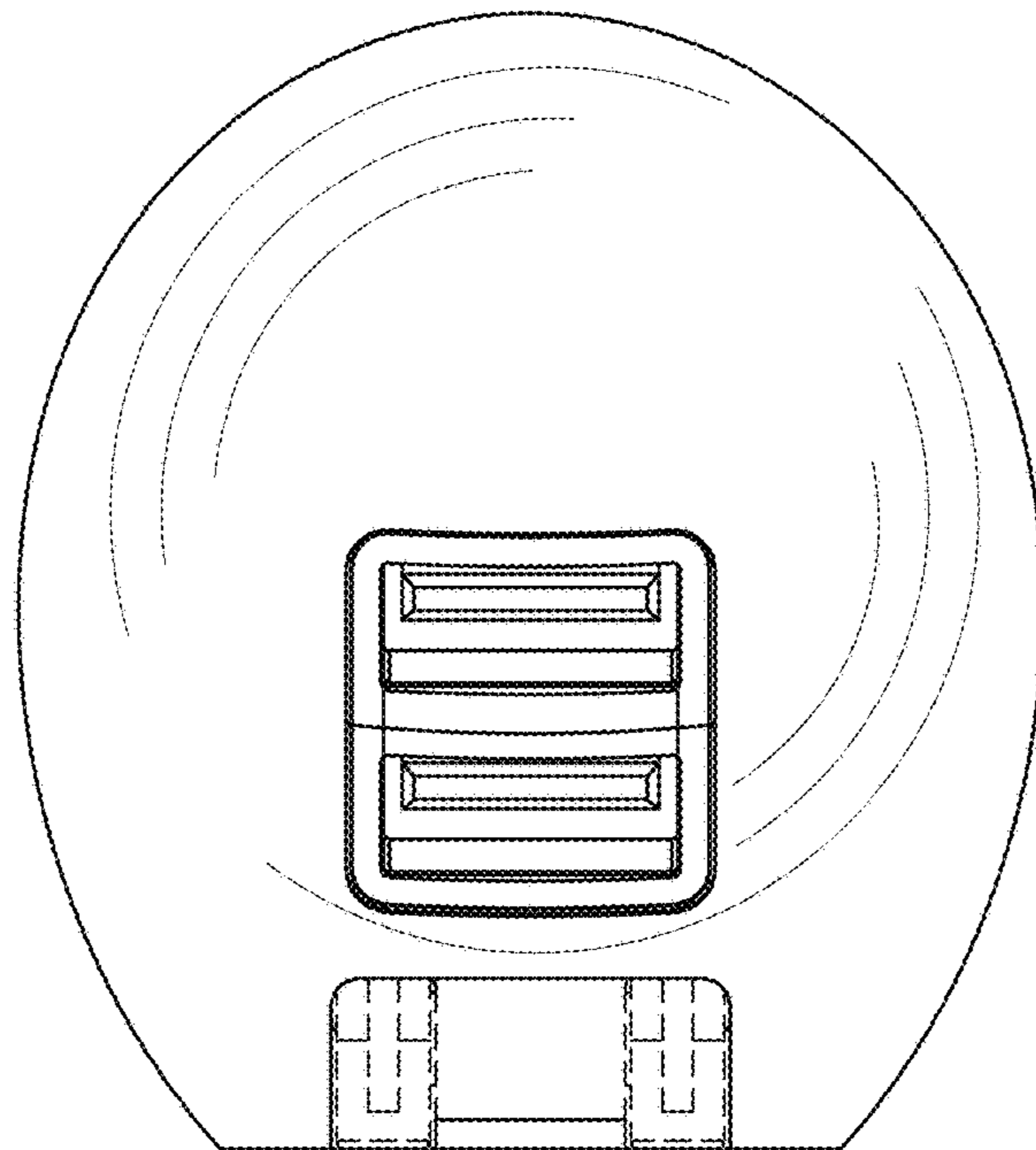


FIG. 9

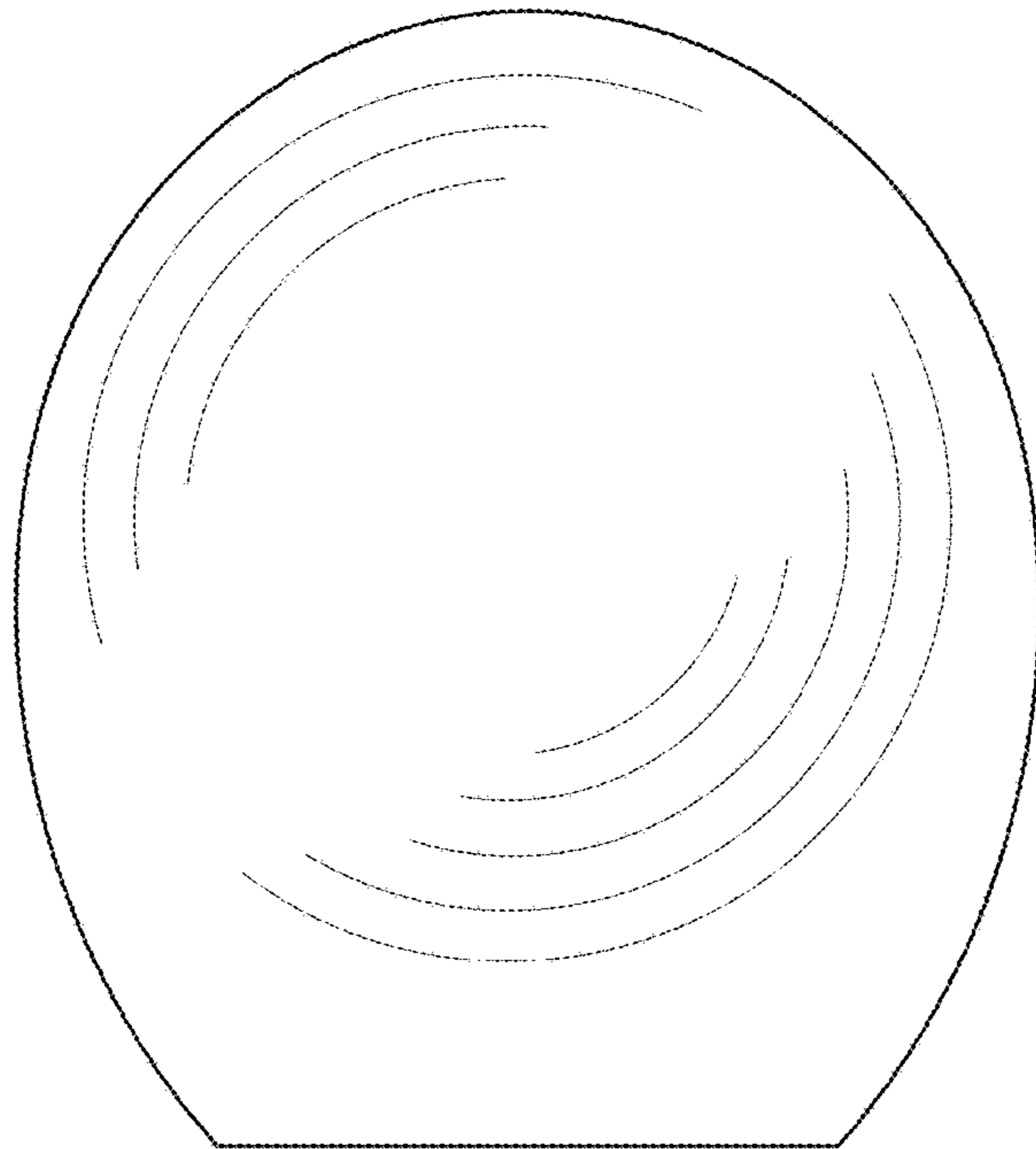


FIG. 10

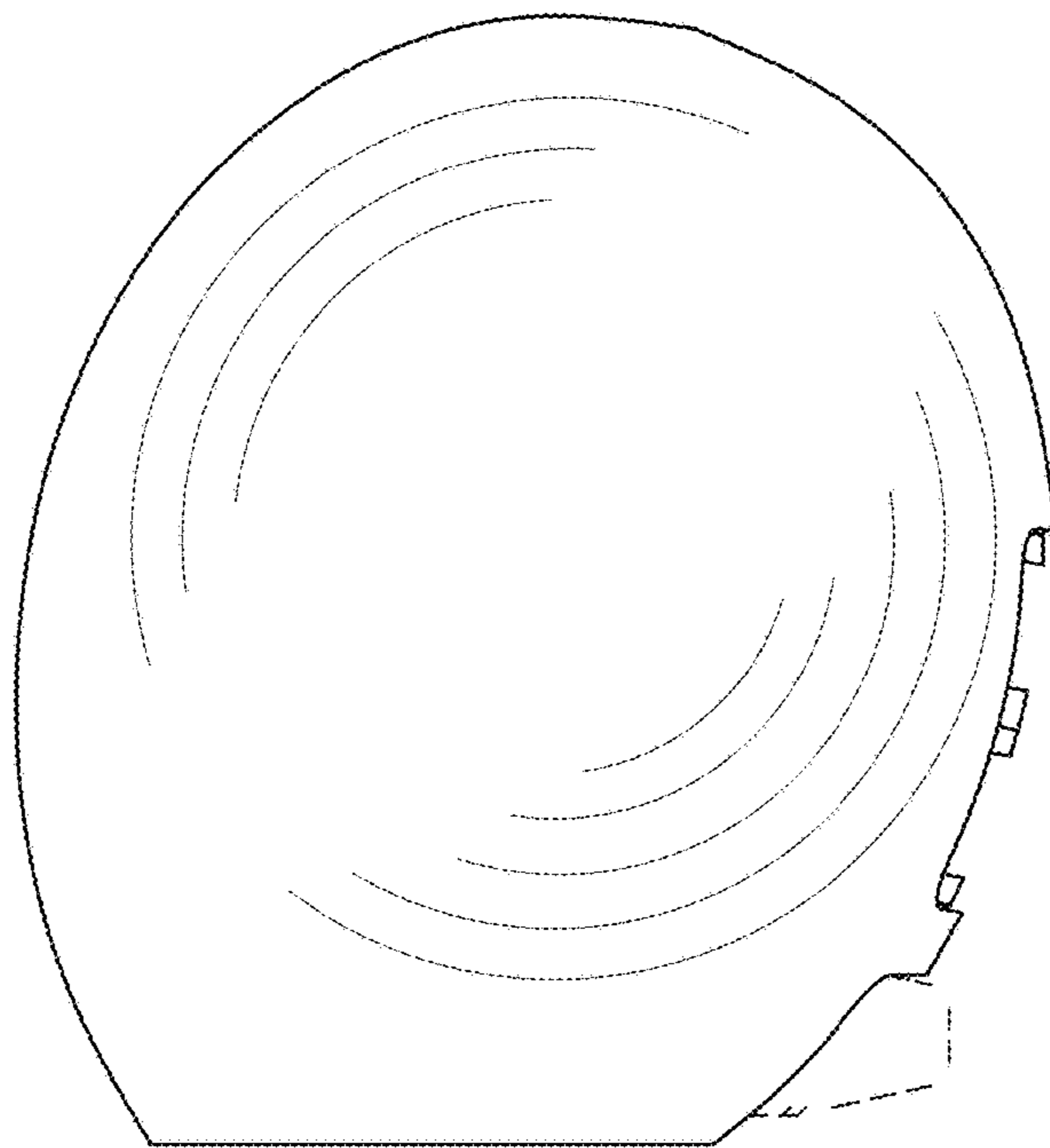


FIG. 11

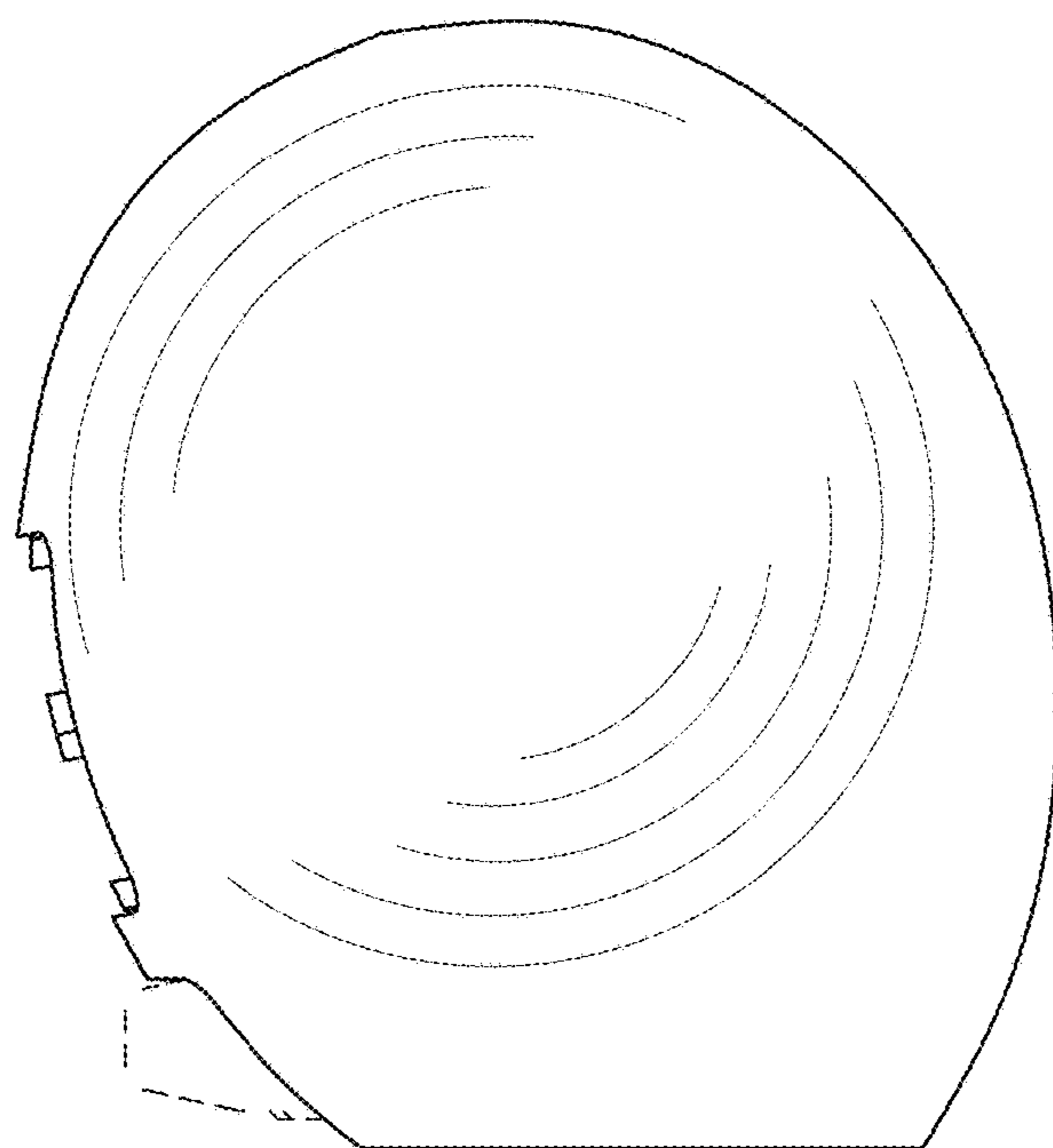


FIG. 12

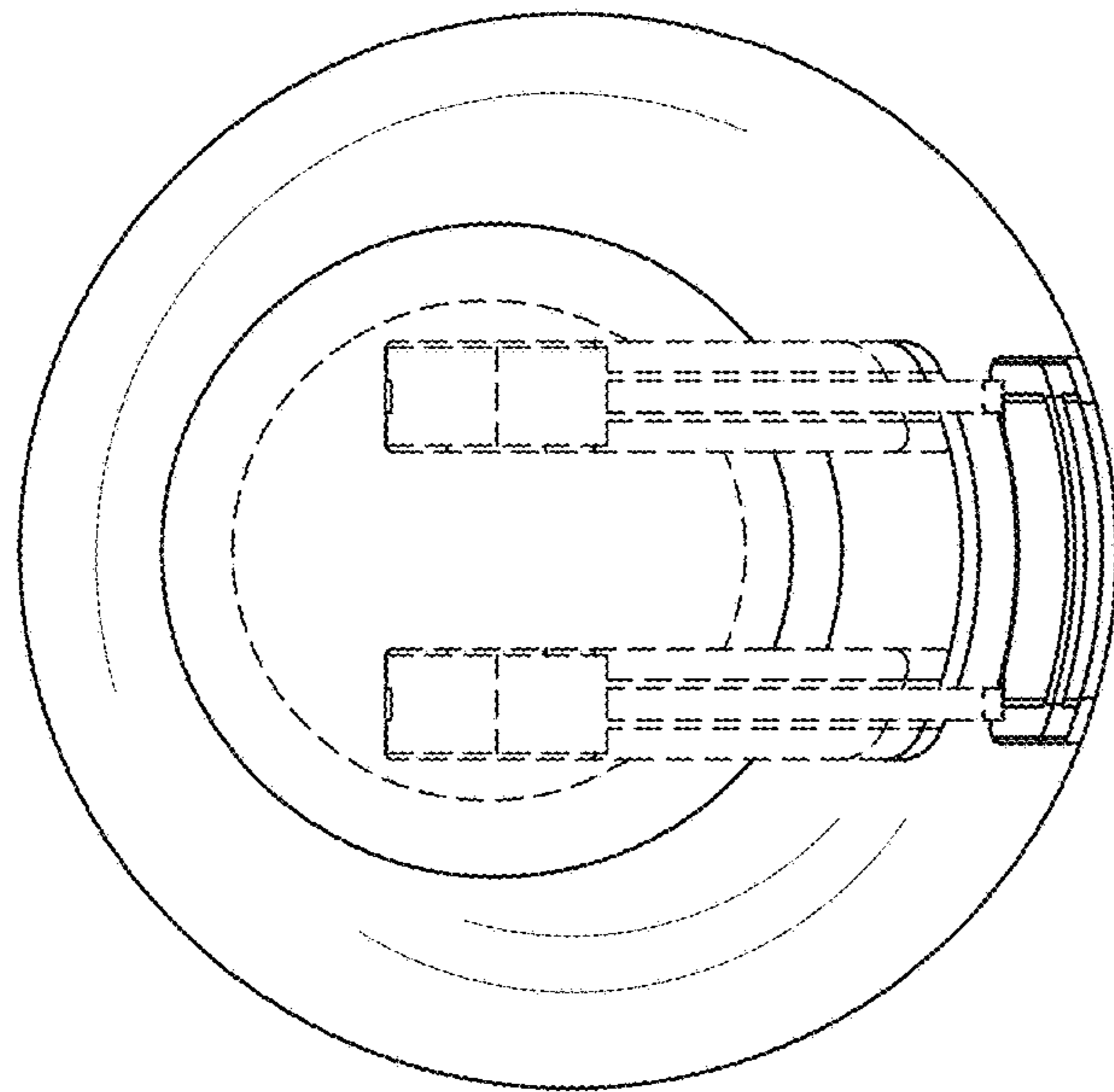


FIG.13