



US00D863216S

(12) **United States Design Patent** (10) **Patent No.:** **US D863,216 S**
Kjaer et al. (45) **Date of Patent:** **** Oct. 15, 2019**

(54) **SCANNING APPLIANCE**
(71) Applicant: **3SHAPE A/S**, Copenhagen K (DK)
(72) Inventors: **Rasmus Kjaer**, Copenhagen (DK);
Eskild Hansen, Copenhagen (DK)
(73) Assignee: **3SHAPE A/S**, Copenhagen K (DK)
(**) Term: **15 Years**

(21) Appl. No.: **35/504,133**
(22) Filed: **Aug. 22, 2017**

(80) **Hague Agreement Data**
Int. Filing Date: **Aug. 22, 2017**
Int. Reg. No.: **DM/098745**
Int. Reg. Date: **Aug. 22, 2017**
Int. Reg. Pub. Date: **Dec. 15, 2017**

(51) **LOC (12) Cl.** **13-02**
(52) **U.S. Cl.**
USPC **D13/102**
(58) **Field of Classification Search**
USPC D24/220, 221, 160, 177, 158, 172, 137,
D24/216, 232; D14/420, 389; D10/81;
30/350; D15/144.1
CPC B23P 15/40
See application file for complete search history.

(56) **References Cited**
U.S. PATENT DOCUMENTS

- 4,485,706 A * 12/1984 Disharoon B23P 15/40
30/350
- D283,046 S * 3/1986 Botich D15/144.1
- D330,769 S * 11/1992 Blaha D24/137
- D554,757 S * 11/2007 Haymann D14/389
- D614,774 S * 4/2010 Gausmann D24/160
- D693,480 S * 11/2013 Spiess D24/232
- D698,444 S * 1/2014 Mensink D24/172

- D709,199 S * 7/2014 Kambe D24/172
- D716,966 S * 11/2014 Lizari Illarramendi D24/232
- D738,510 S * 9/2015 Wing D24/172
- D740,434 S * 10/2015 Isozaki D24/216
- D764,667 S * 8/2016 Shiue D24/158
- D770,628 S * 11/2016 von Clausbruch D24/177
- D800,121 S * 10/2017 Akers, Jr. D14/420
- D812,230 S * 3/2018 Silvonon D24/177
- D819,470 S * 6/2018 Schueren D10/81

* cited by examiner

Primary Examiner — Rhea Shields

(74) *Attorney, Agent, or Firm* — Margaret Polson; Polson Intellectual Property Law, PC

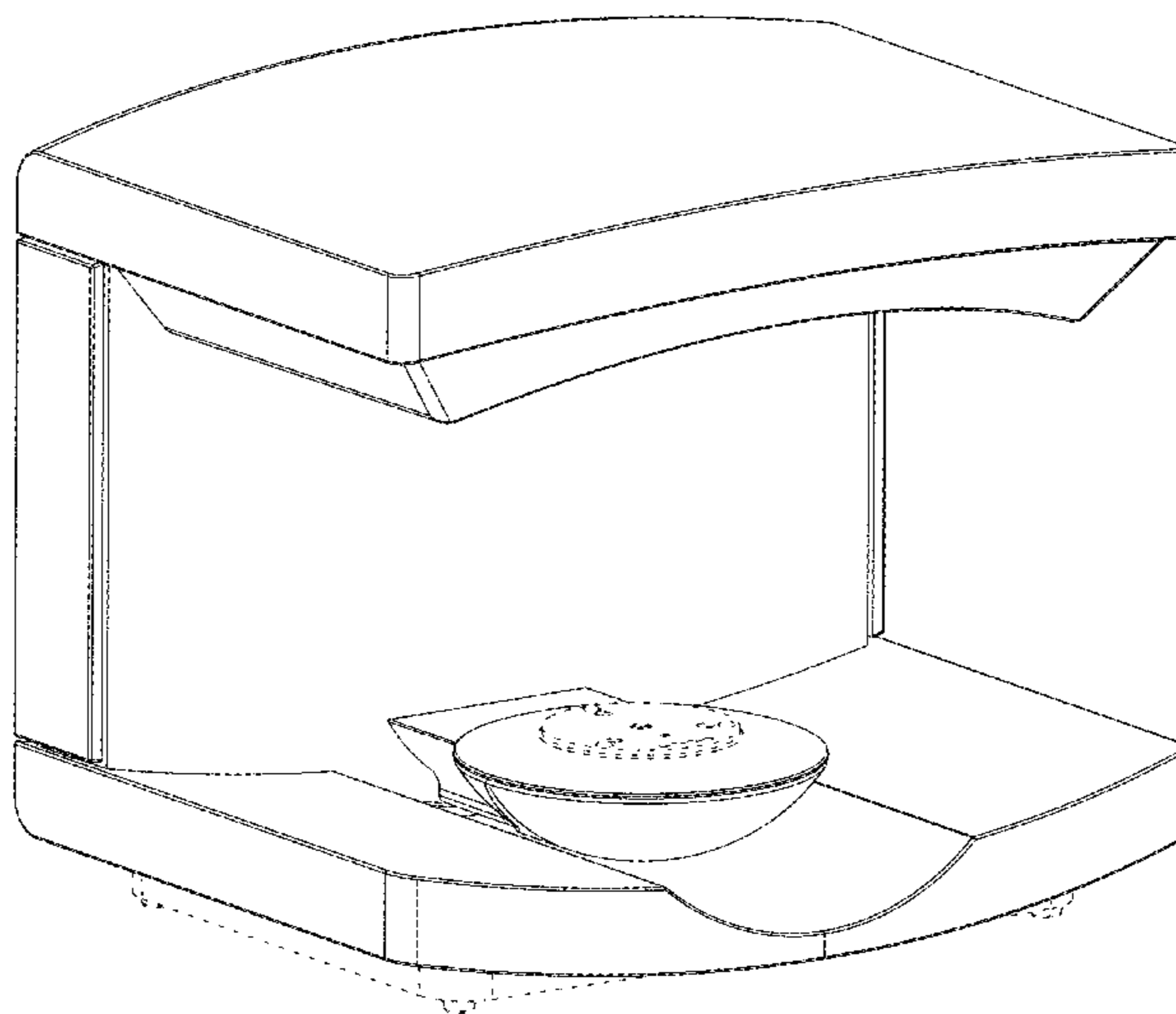
(57) **CLAIM**

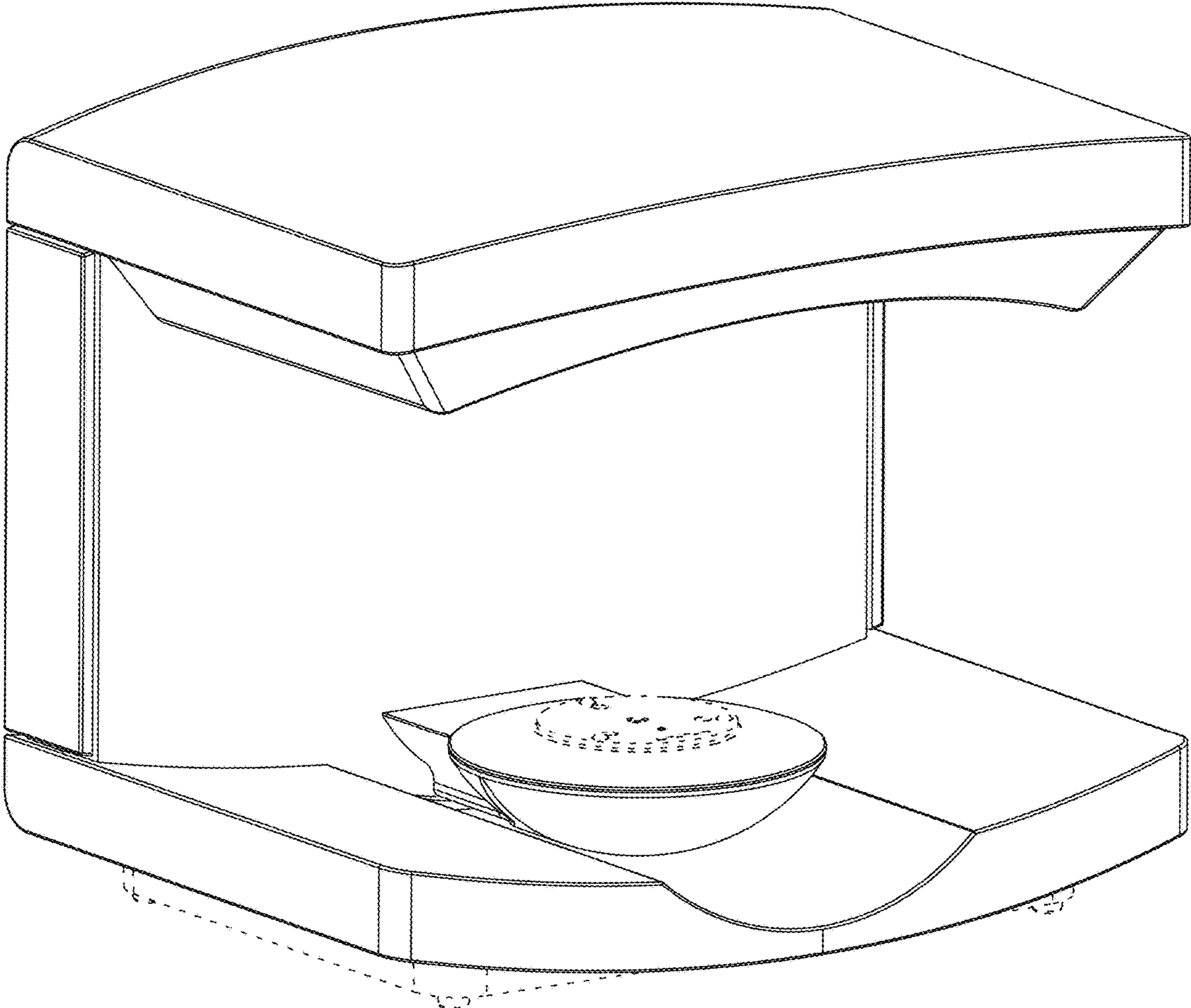
We claim the ornamental design for a scanning appliance, as shown and described.

DESCRIPTION

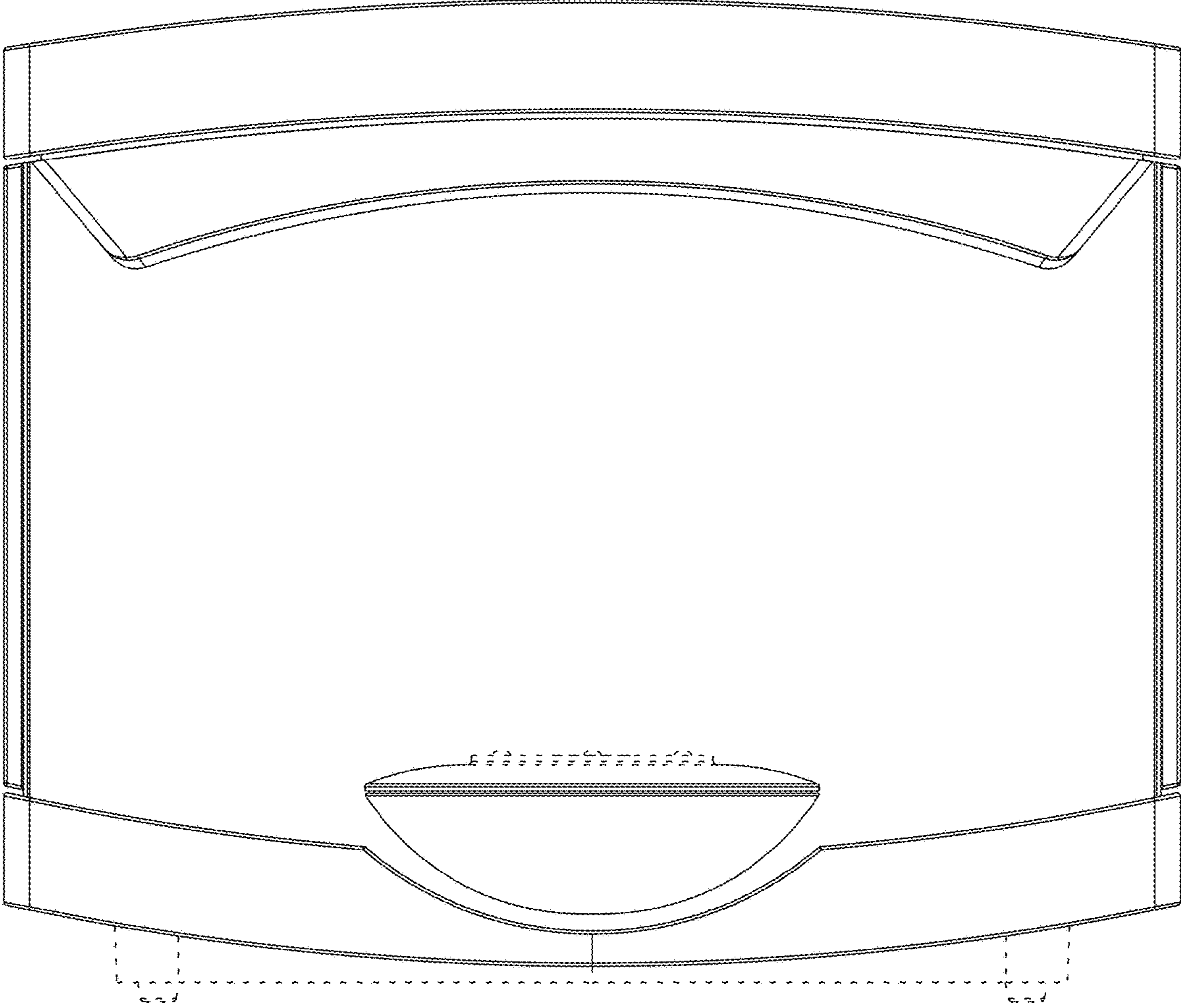
Figure 1.1 is a perspective view of our new design for a scanning appliance.
Figure 1.2 is a front elevation view of Figure 1.1.
Figure 1.3 is a back elevation view of Figure 1.1.
Figure 1.4 is a top plan view of Figure 1.1.
Figure 1.5 is a bottom plan view of Figure 1.1.
Figure 1.6 is a left elevation view of Figure 1.1.
Figure 1.7 is a right elevation view of Figure 1.1.
Figure 2.1 is a perspective view of our new design for a scanning appliance.
Figure 2.2 is a front elevation view of Figure 2.1.
Figure 2.3 is a back elevation view of Figure 2.1.
Figure 2.4 is a top plan view of Figure 2.1.
Figure 2.5 is a bottom plan view of Figure 2.1.
Figure 2.6 is a left elevation view of Figure 2.1.
Figure 2.7 is a right elevation view of Figure 2.1.
In the drawings, the broken lines are for the purpose of illustrating environment only and form no part of the claimed design.

1 Claim, 14 Drawing Sheets

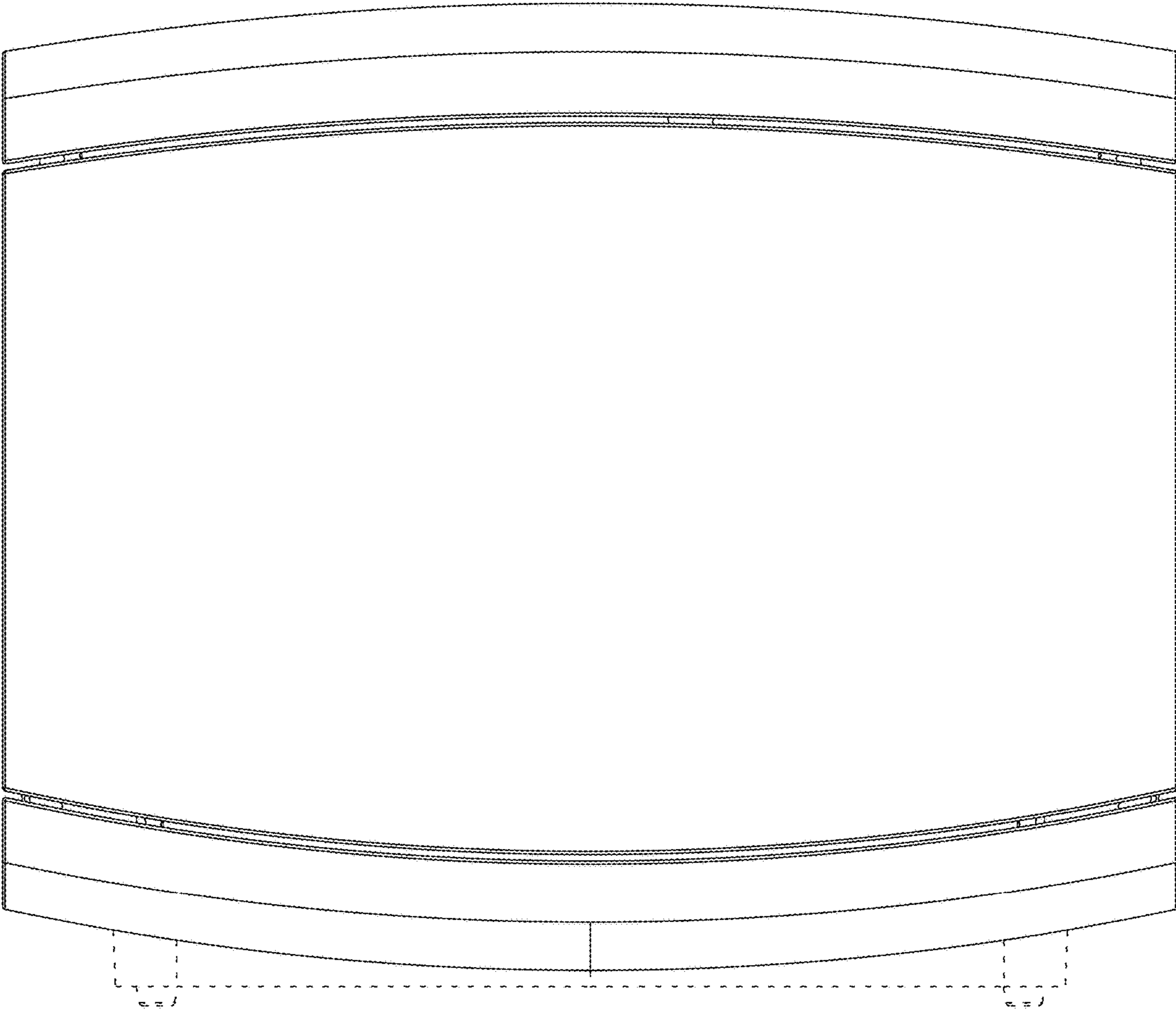




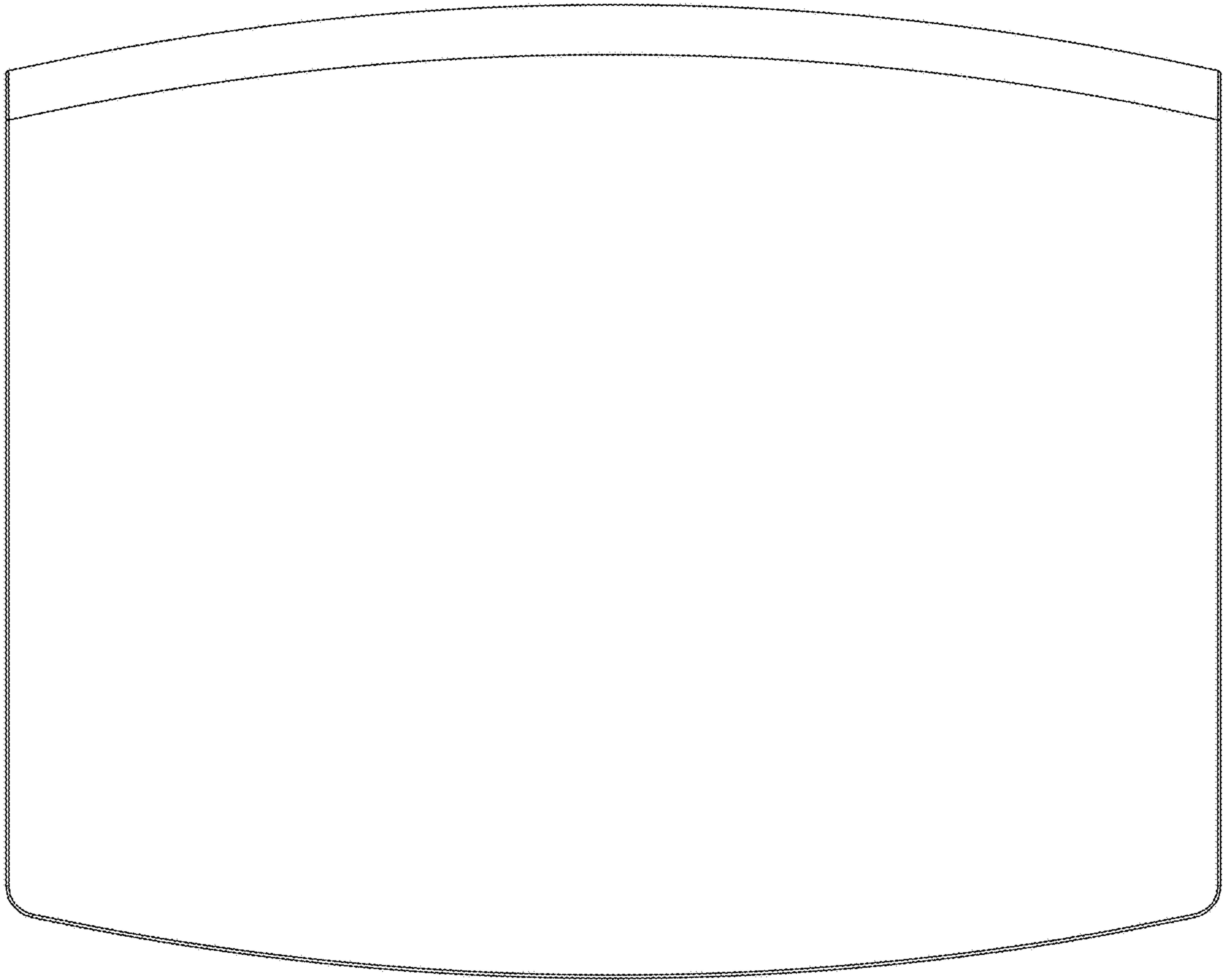
1.1



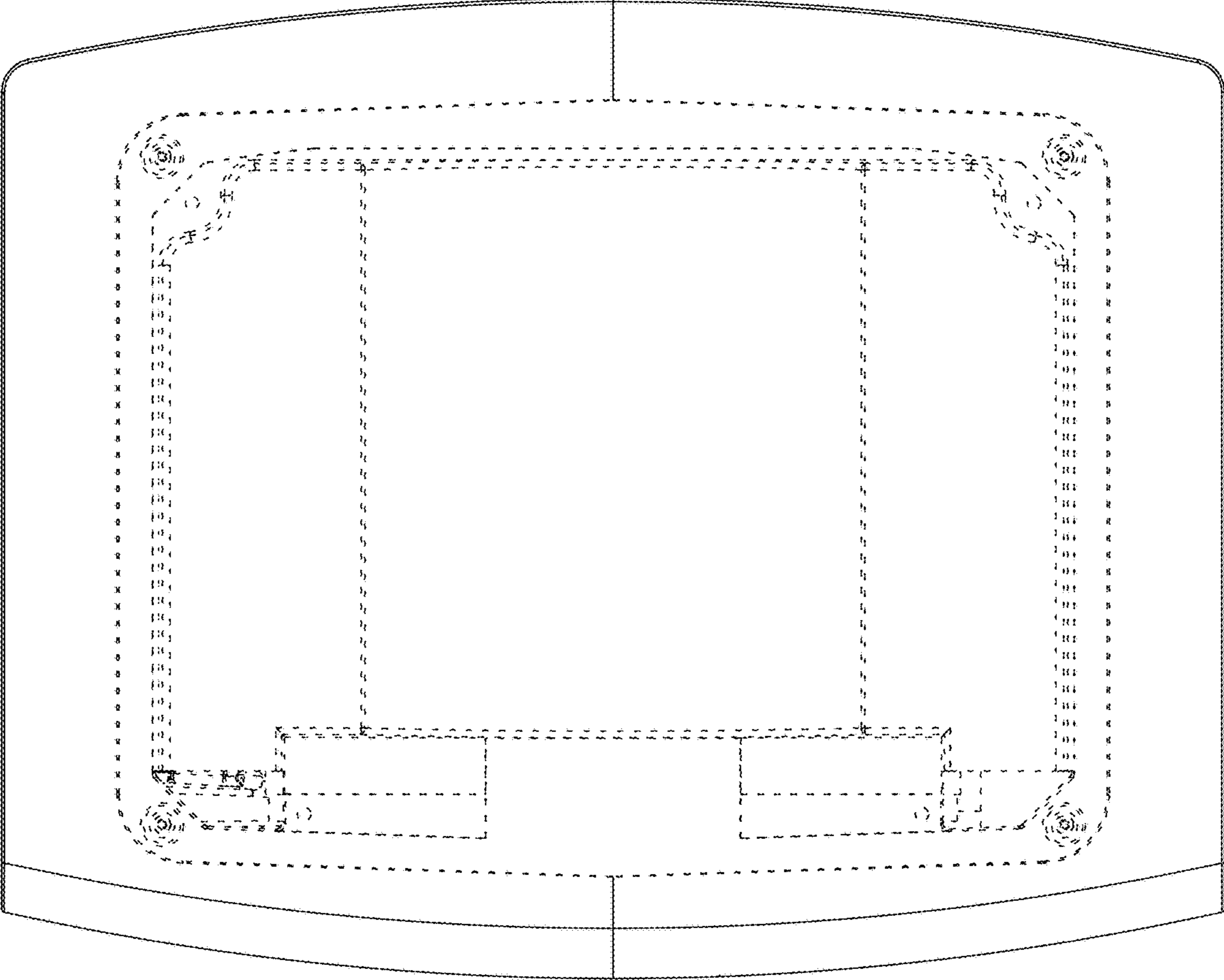
1.2

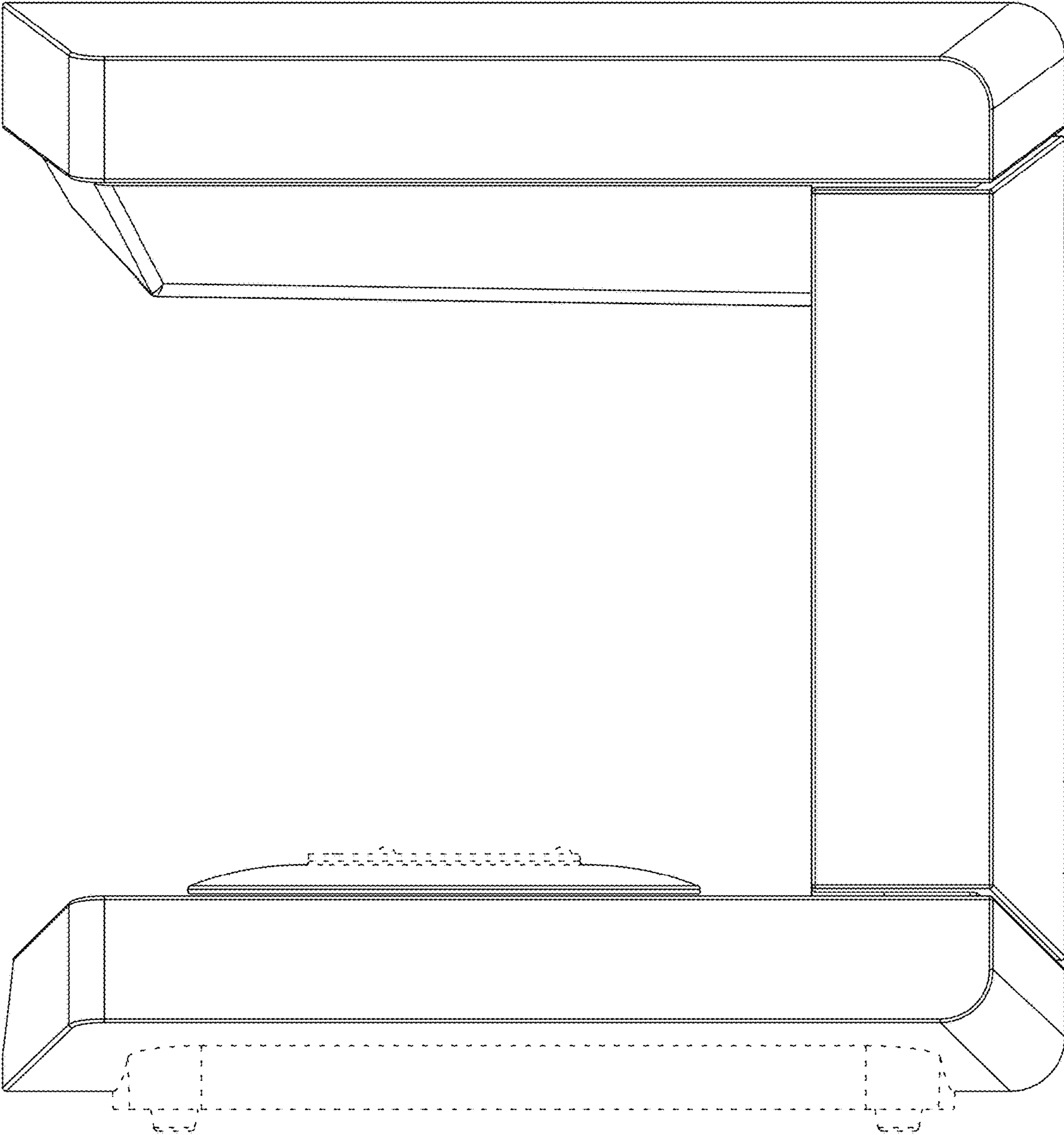


1.3

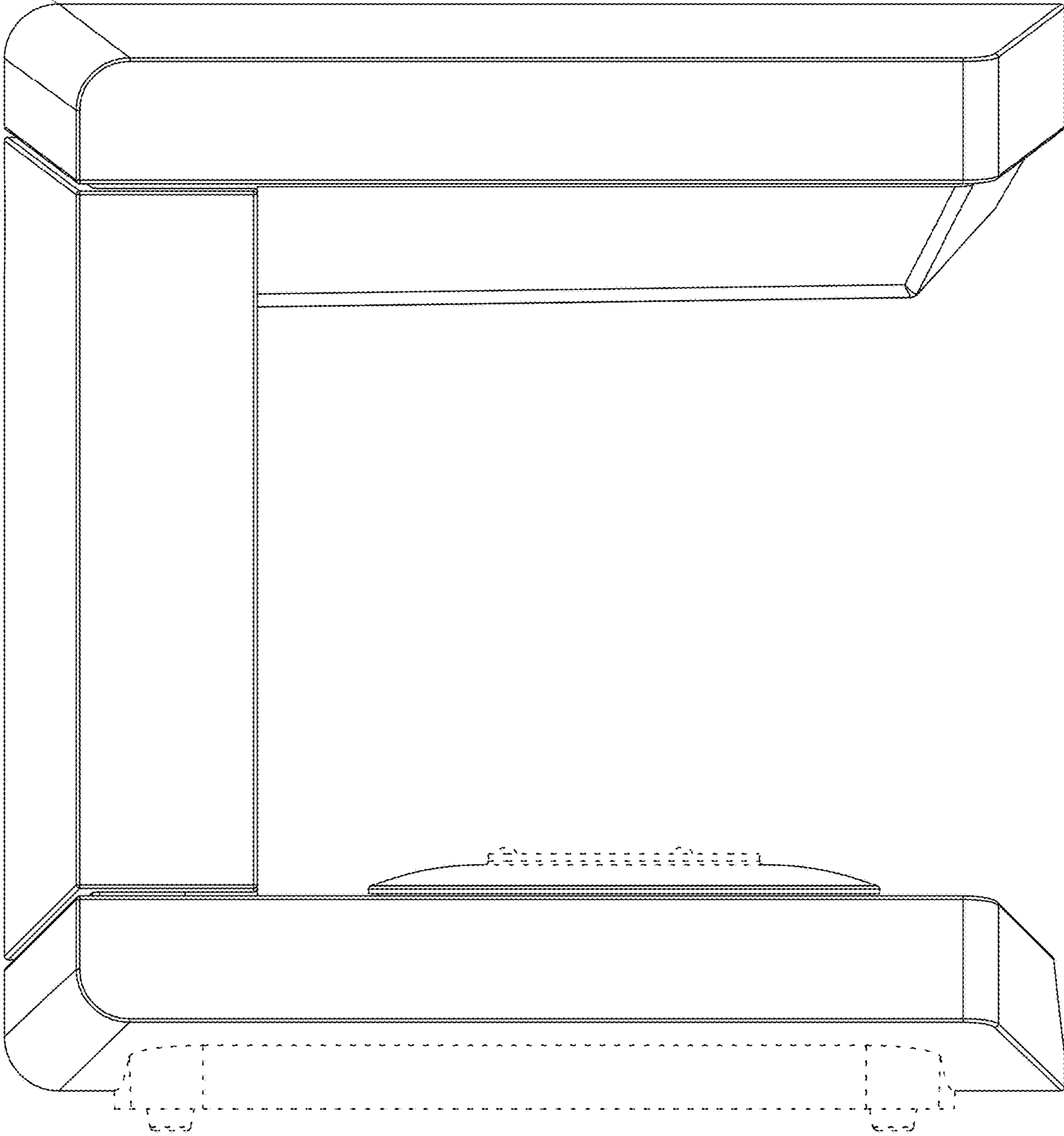


1.4

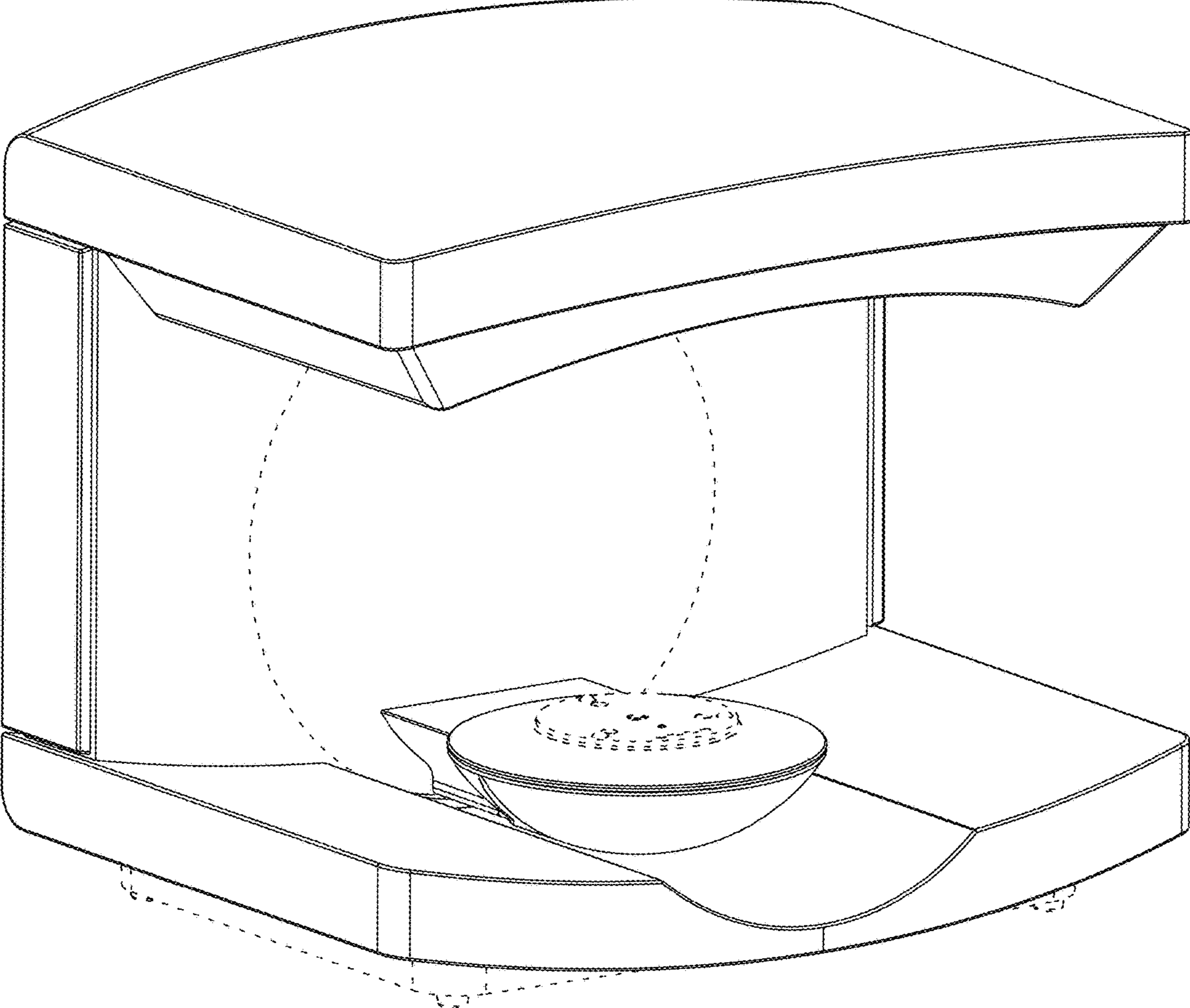




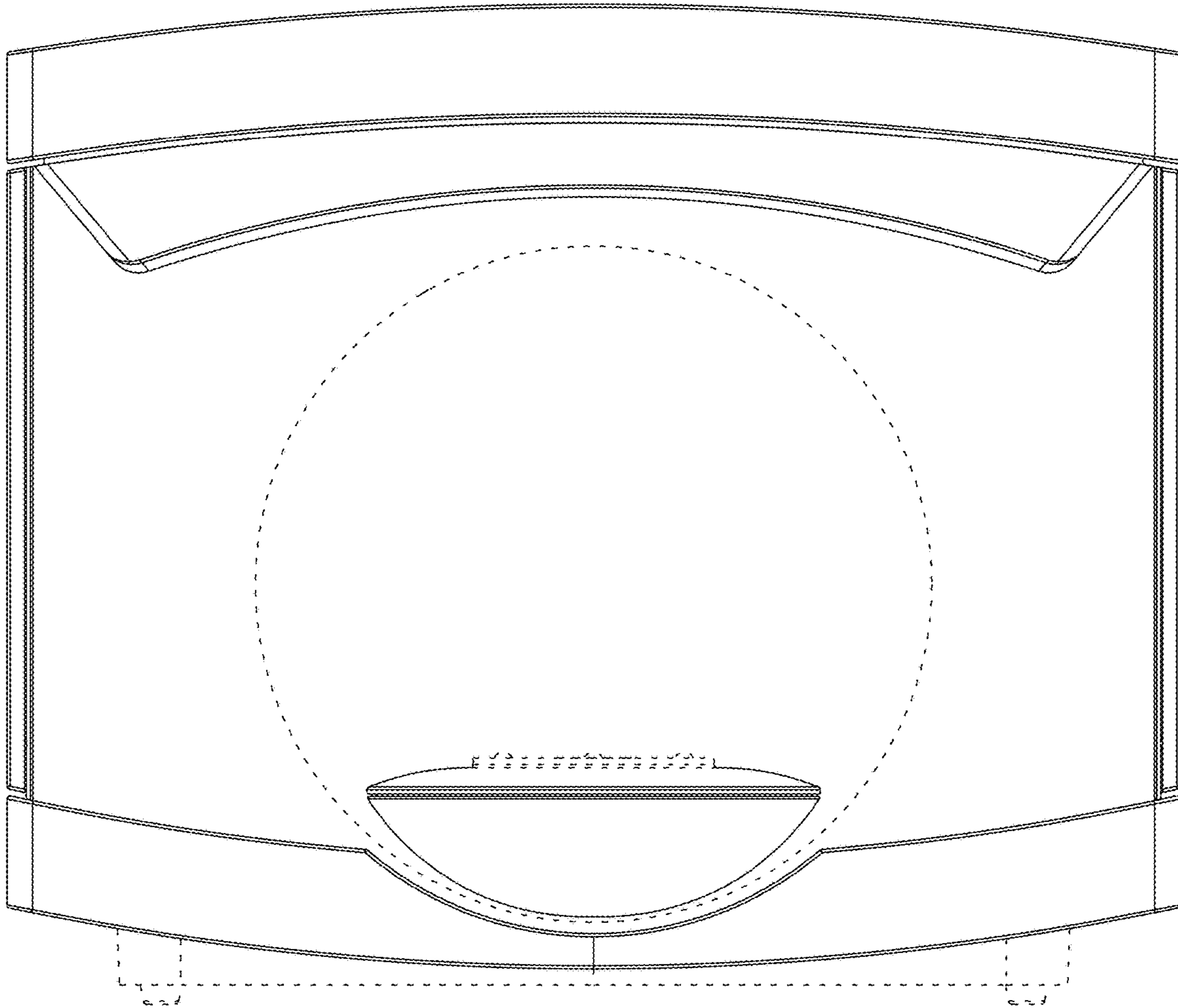
1.6



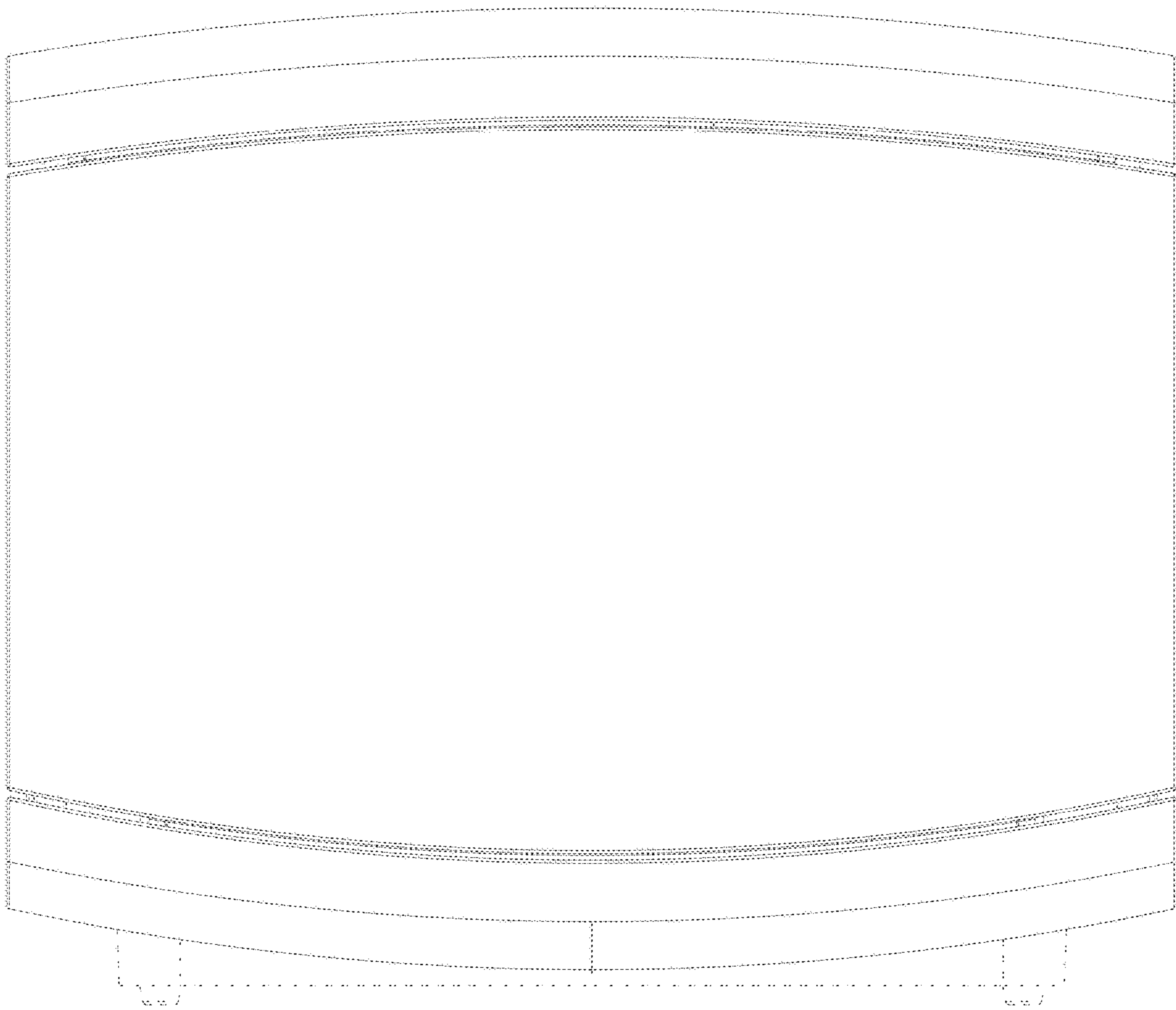
1.7



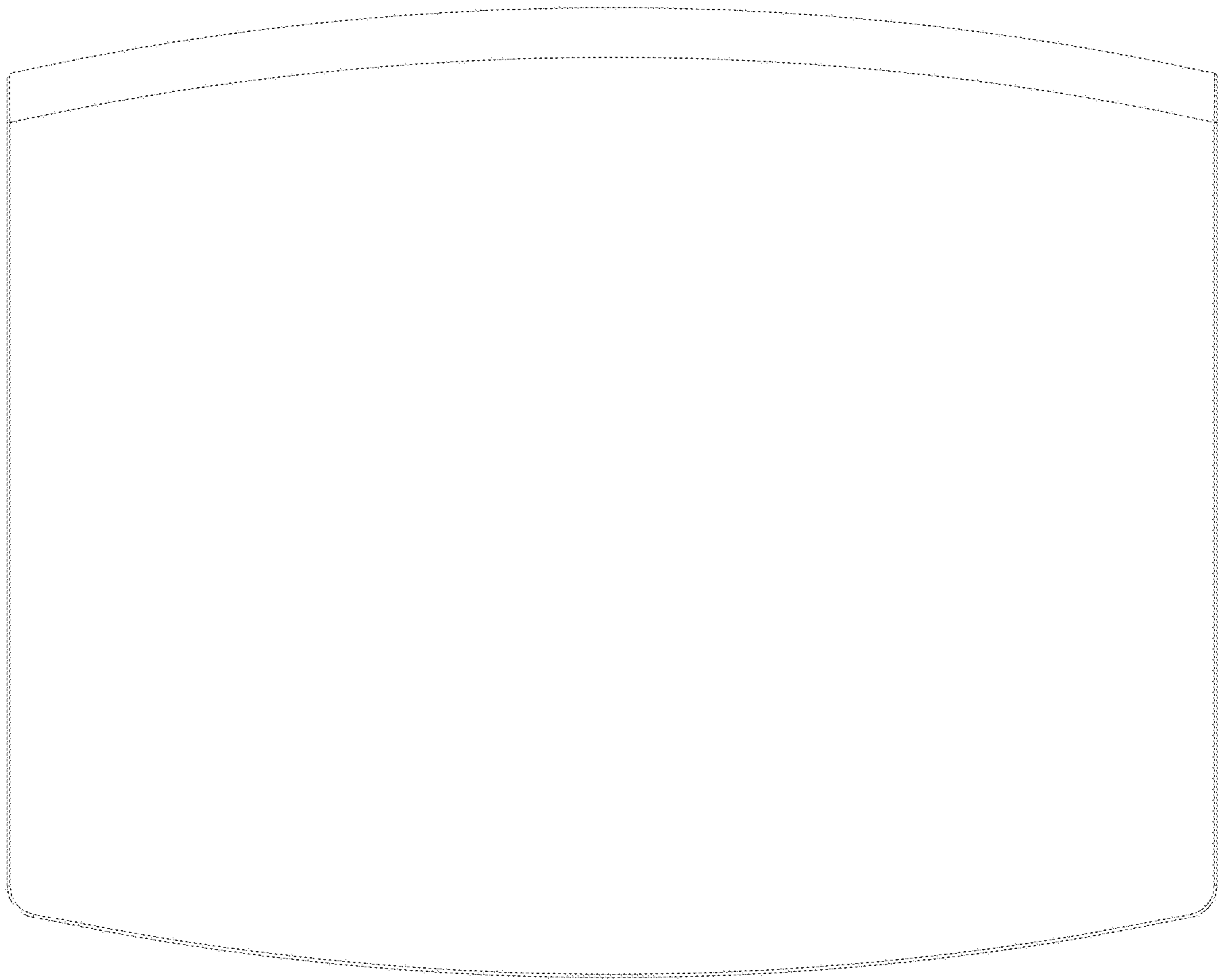
2.1



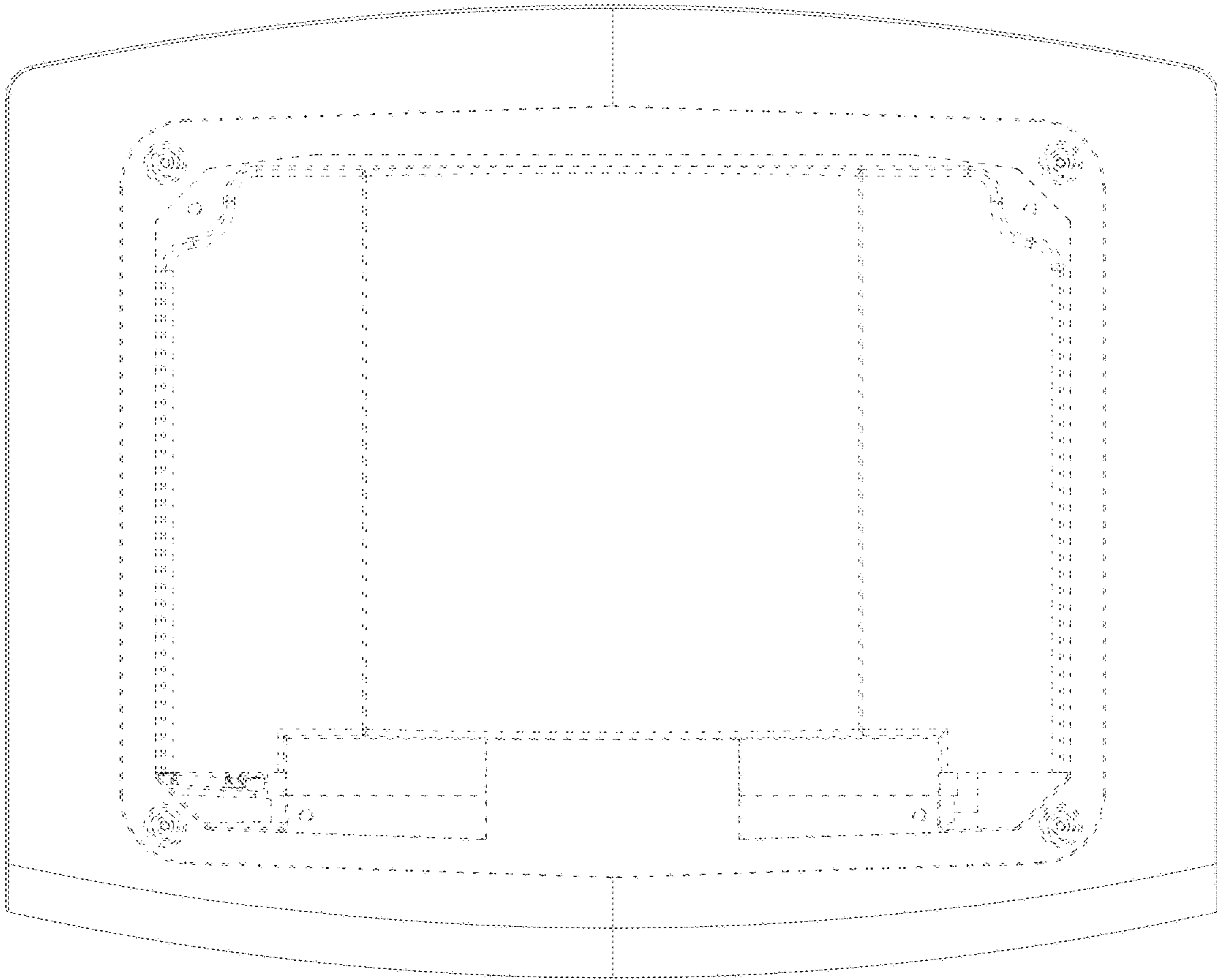
2.2

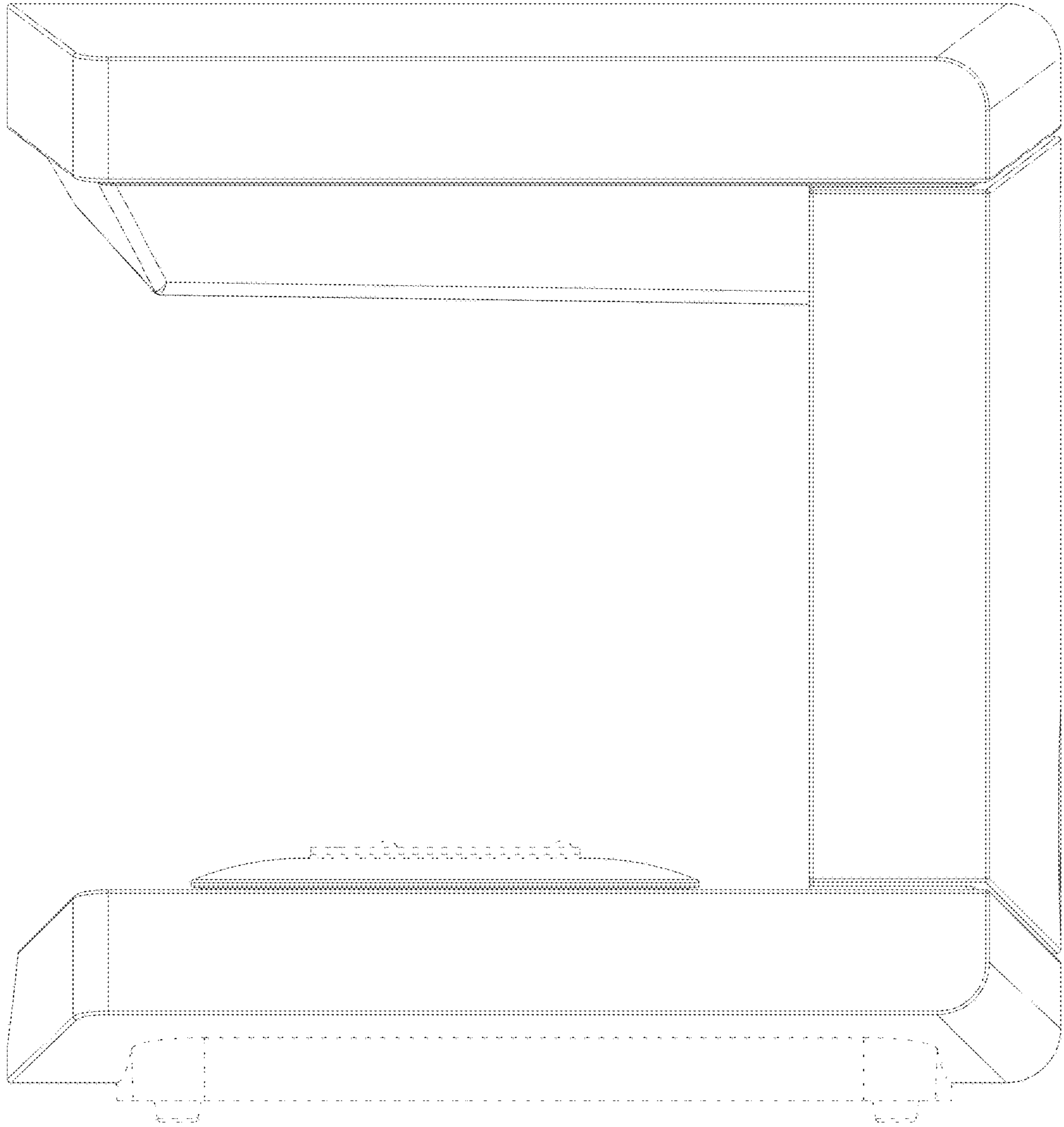


2.3



2.4





2.6

