



US00D863211S

(12) **United States Design Patent**
Yasunaga

(10) **Patent No.:** **US D863,211 S**

(45) **Date of Patent:** **** Oct. 15, 2019**

(54) **TIRE**

(71) Applicant: **Toyo Tire & Rubber Co., Ltd.**,
Itami-shi, Hyogo (JP)

(72) Inventor: **Toshikazu Yasunaga**, Itami (JP)

(73) Assignee: **Toyo Tire & Rubber Co., Ltd.**,
Itami-shi (JP)

(**) Term: **15 Years**

(21) Appl. No.: **29/632,593**

(22) Filed: **Jan. 9, 2018**

(30) **Foreign Application Priority Data**

Jul. 21, 2017 (JP) 2017-015801

(51) **LOC (12) Cl.** **12-15**

(52) **U.S. Cl.**
USPC **D12/583**

(58) **Field of Classification Search**
USPC D12/547, 548, 549, 550, 582, 583, 584,
D12/585

CPC B60C 11/0302; B60C 11/0306; B60C
2011/0313; B60C 2011/0344; B60C
2011/0346

See application file for complete search history.

(56) **References Cited**

U.S. PATENT DOCUMENTS

D535,939 S * 1/2007 Gordon D12/583
D571,285 S * 6/2008 Ochi D12/549

D669,420 S * 10/2012 Barrett D12/583
D729,152 S * 5/2015 Rolland D12/583
D729,153 S * 5/2015 Rolland D12/583
D764,391 S * 8/2016 Shen D12/584
D796,425 S * 9/2017 Sareen D12/521

FOREIGN PATENT DOCUMENTS

JP 1559996 S 10/2016

* cited by examiner

Primary Examiner — Robert M. Spear

(74) *Attorney, Agent, or Firm* — Sterne, Kessler,
Goldstein & Fox P.L.L.C.

(57) **CLAIM**

The ornamental design for a tire, as shown and described.

DESCRIPTION

FIG. 1 is a front perspective view of a tire showing the claimed design;

FIG. 2 is a front view thereof, the rear view being the same;

FIG. 3 is a top plan view thereof;

FIG. 4 is a bottom plan view thereof;

FIG. 5 is a right side view thereof, the left side view being the same;

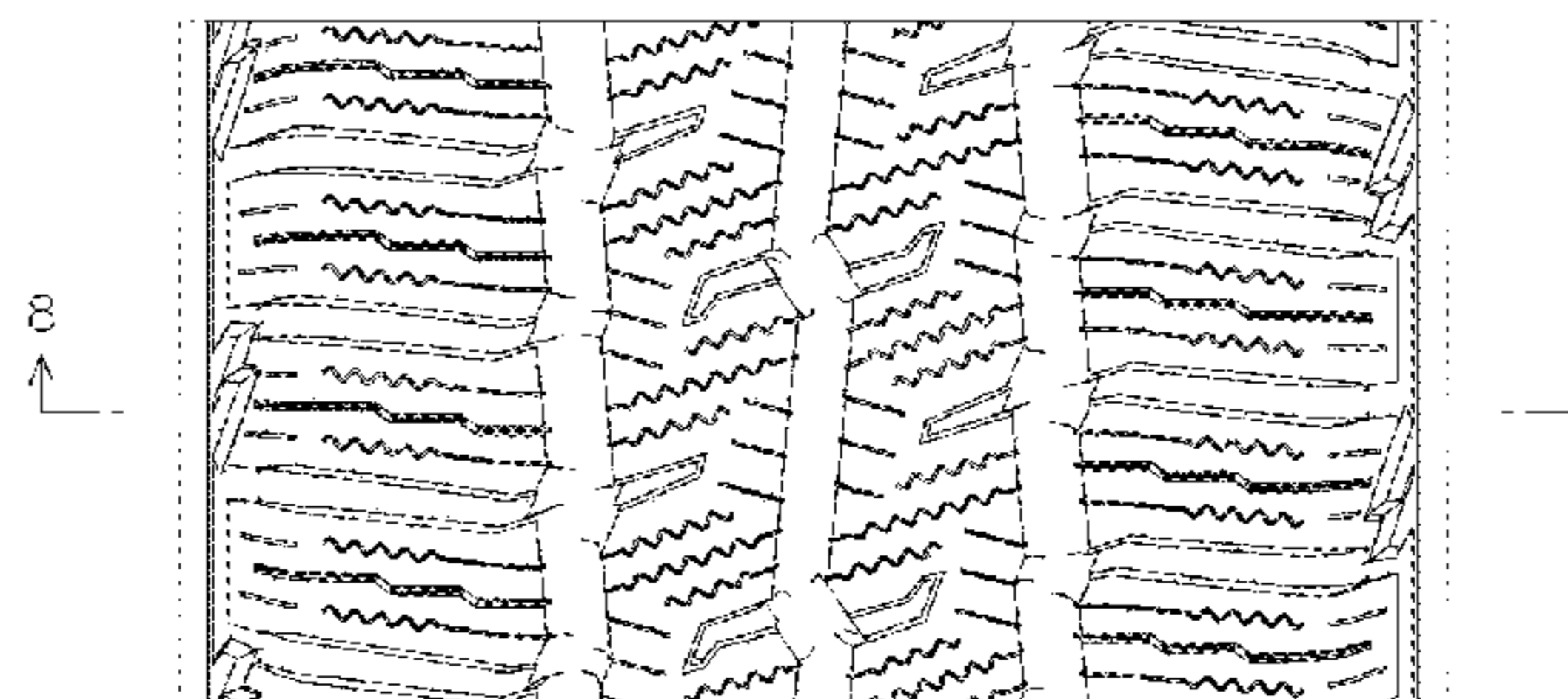
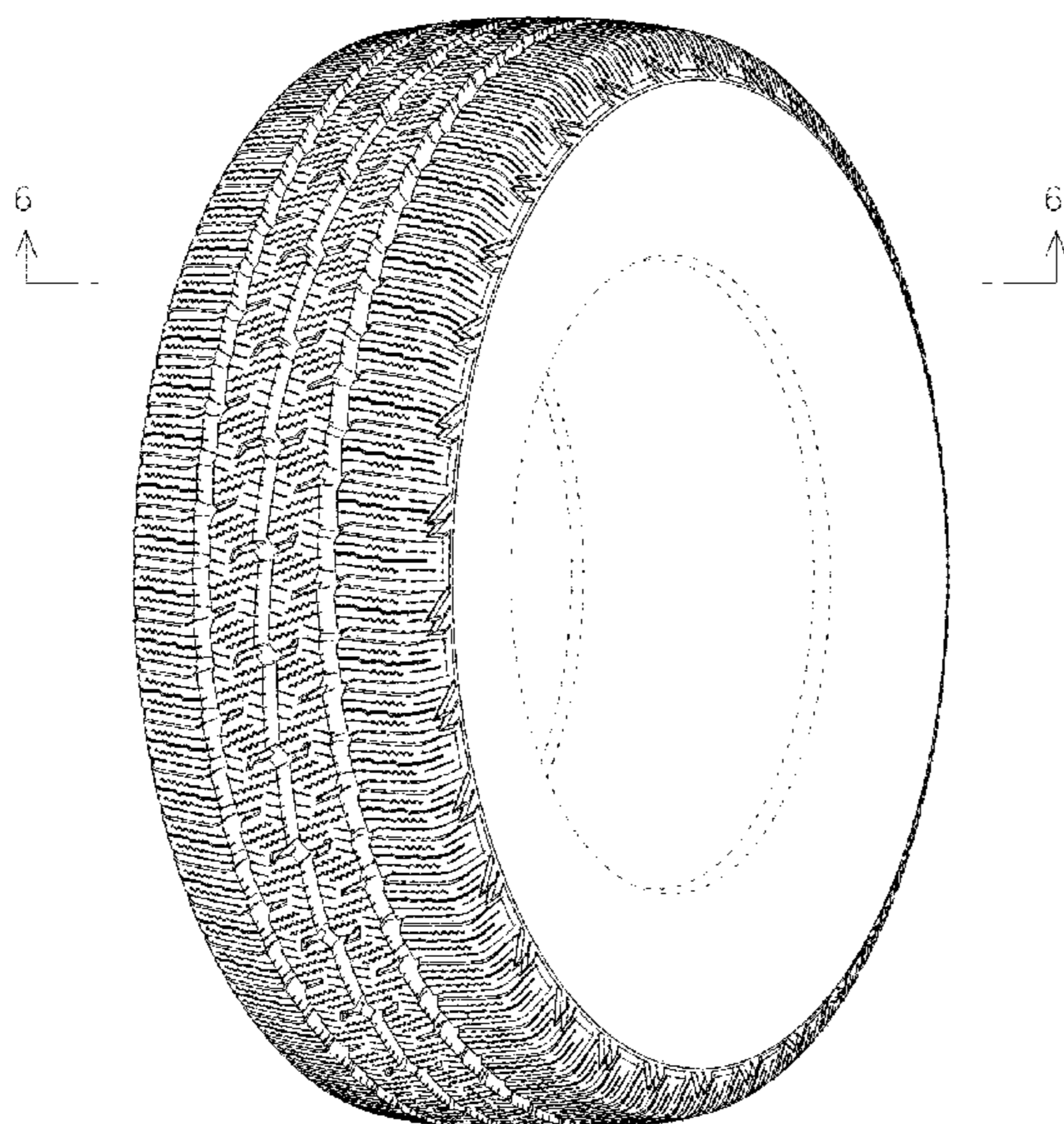
FIG. 6 is an enlarged view taken along line 6-6 in FIG. 1;

FIG. 7 is an enlarged view of the portion 7-7 in FIG. 2; and,

FIG. 8 is a cross-sectional view taken along line 8-8 in FIG. 7.

In the drawings, the broken lines show portions of the tire that form no part of the claimed design.

1 Claim, 8 Drawing Sheets



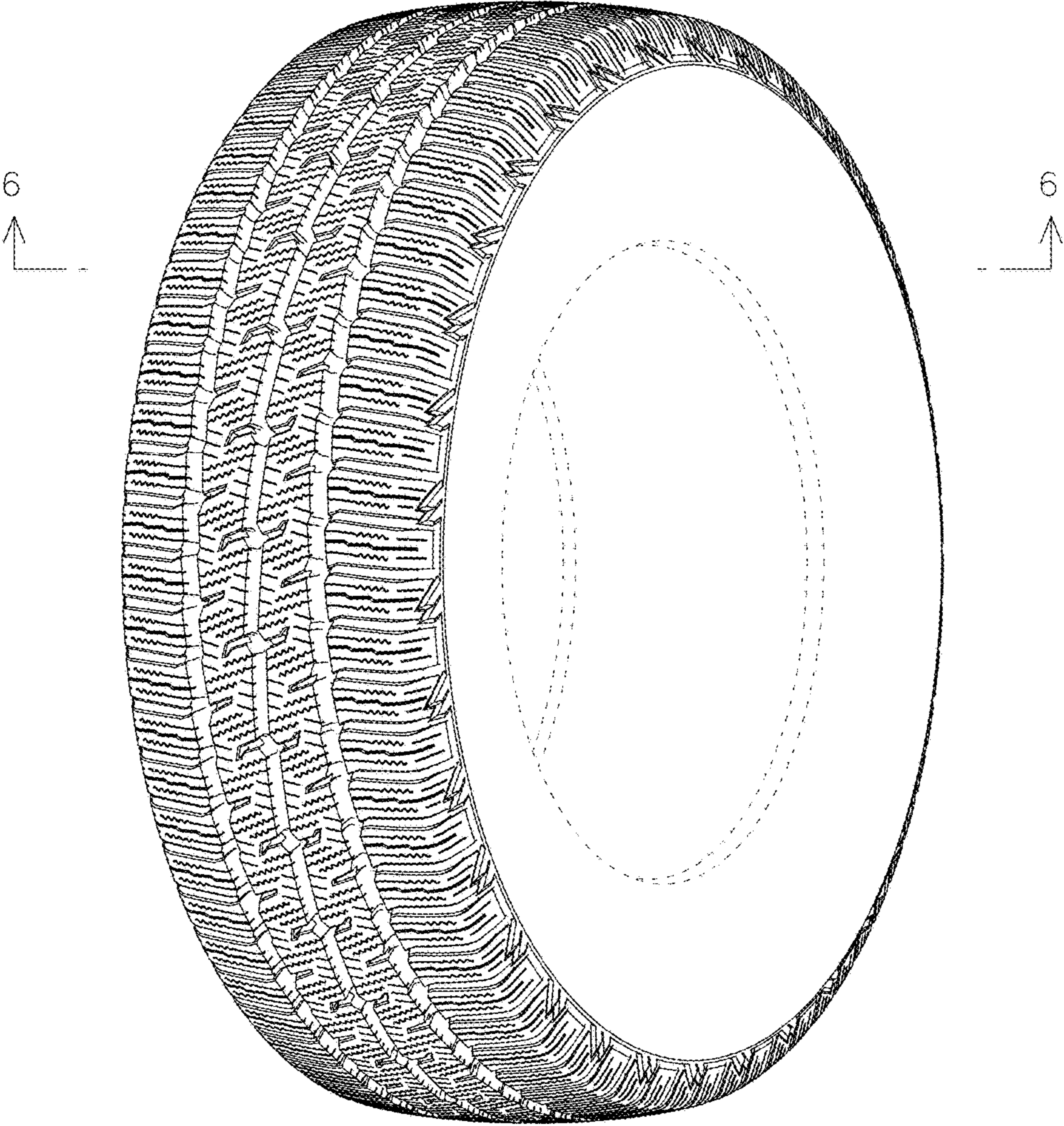


FIG. 1

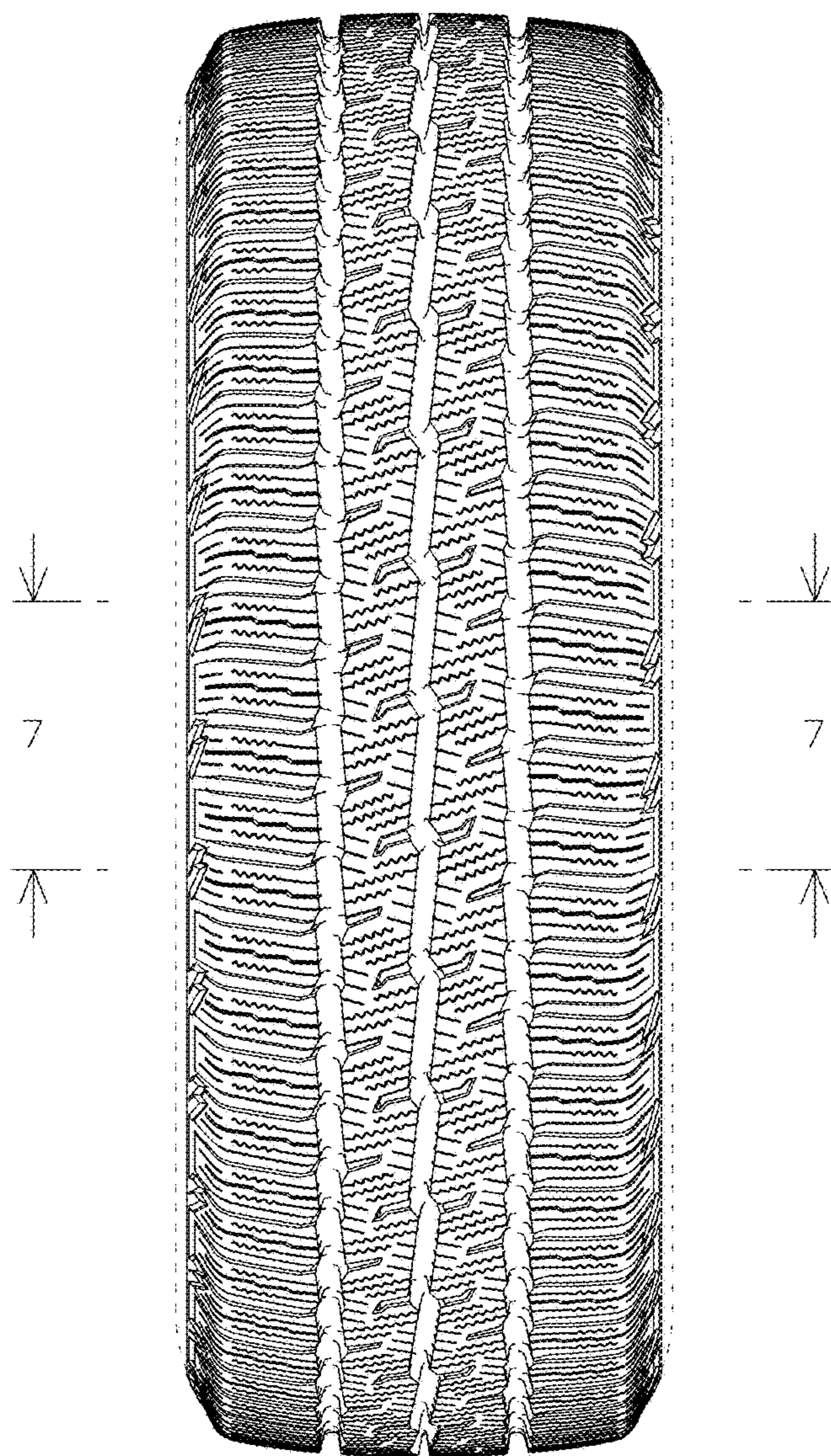


FIG. 2

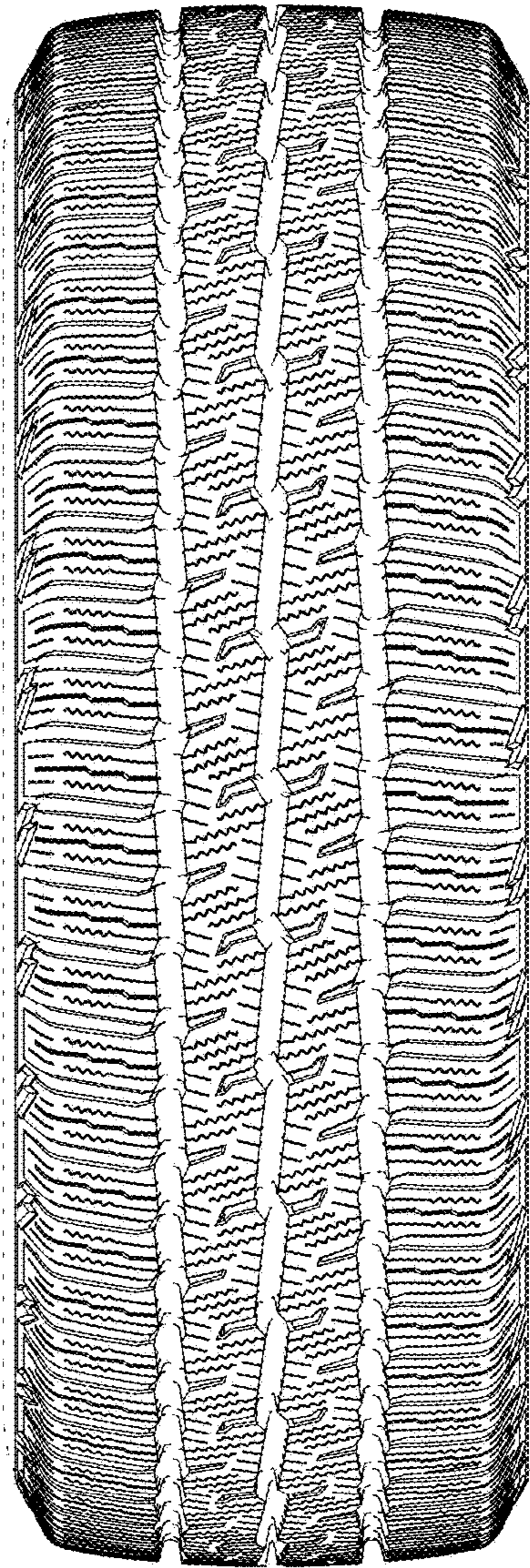


FIG. 3

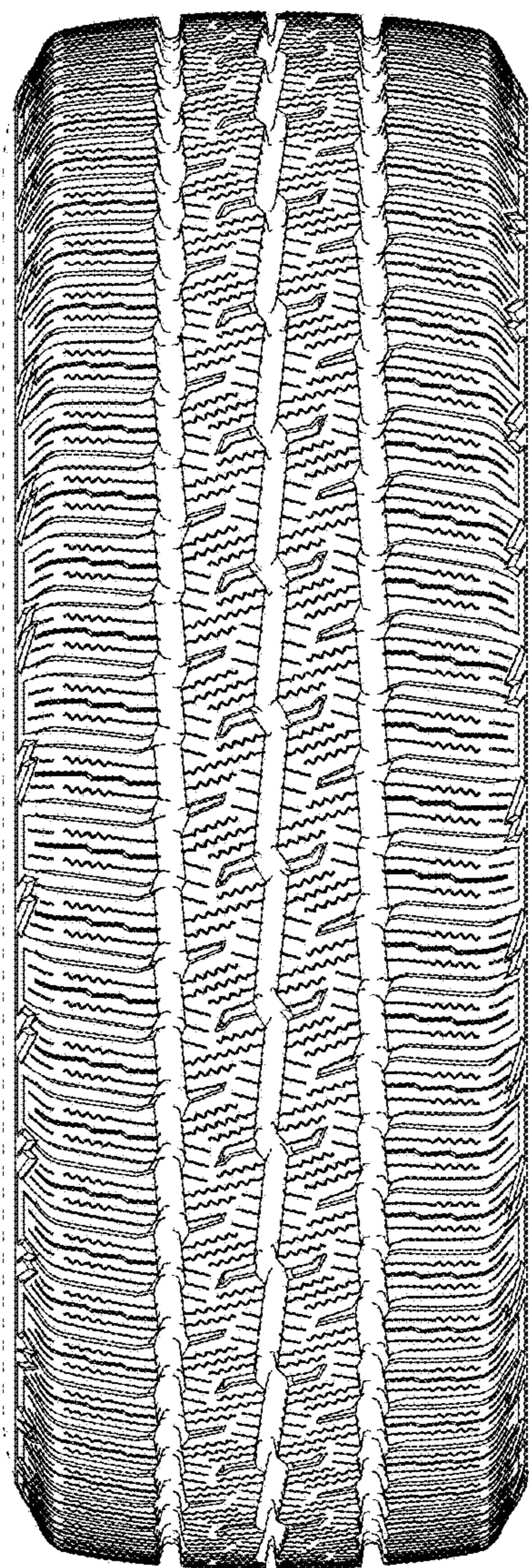


FIG. 4

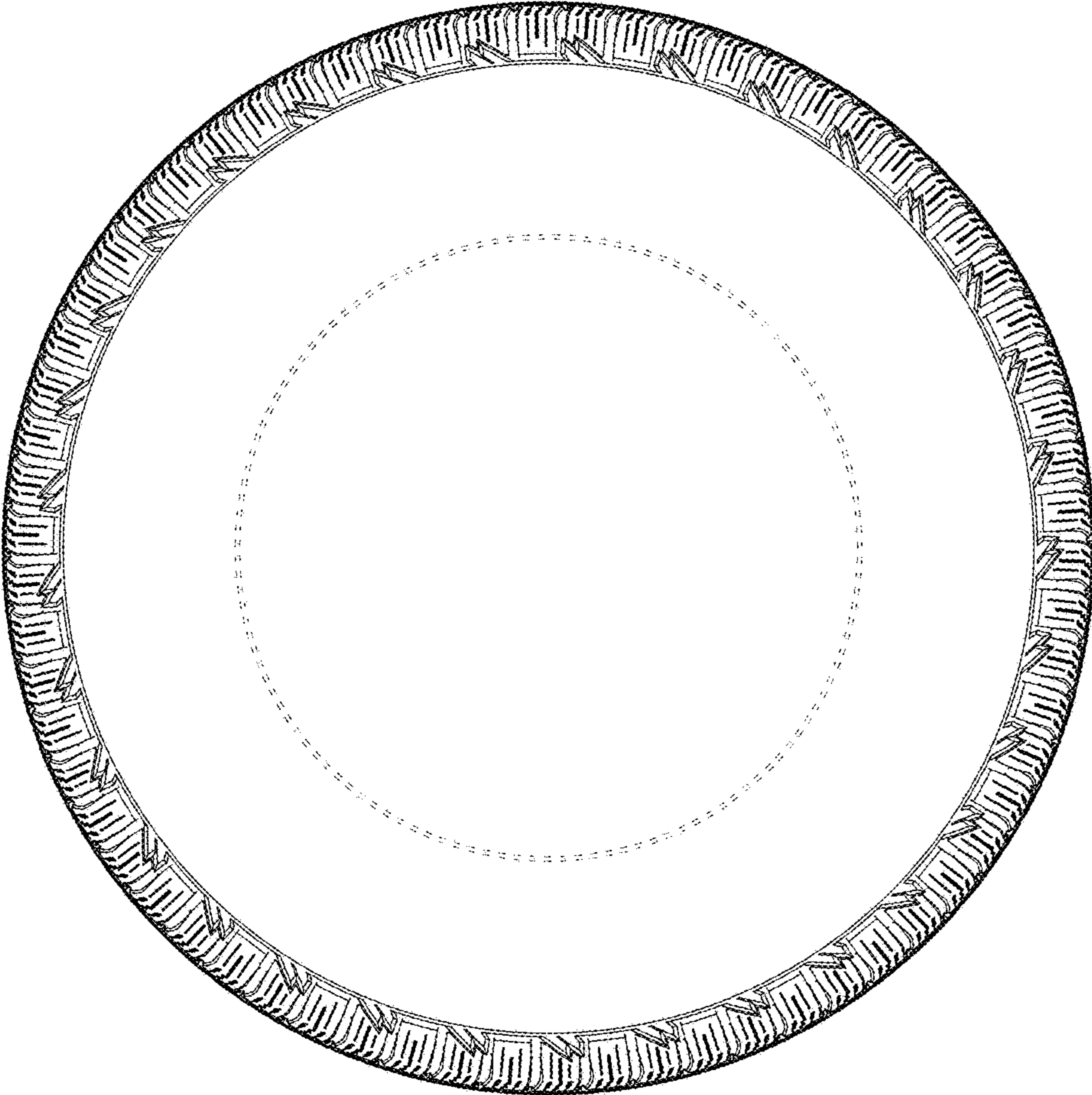


FIG. 5

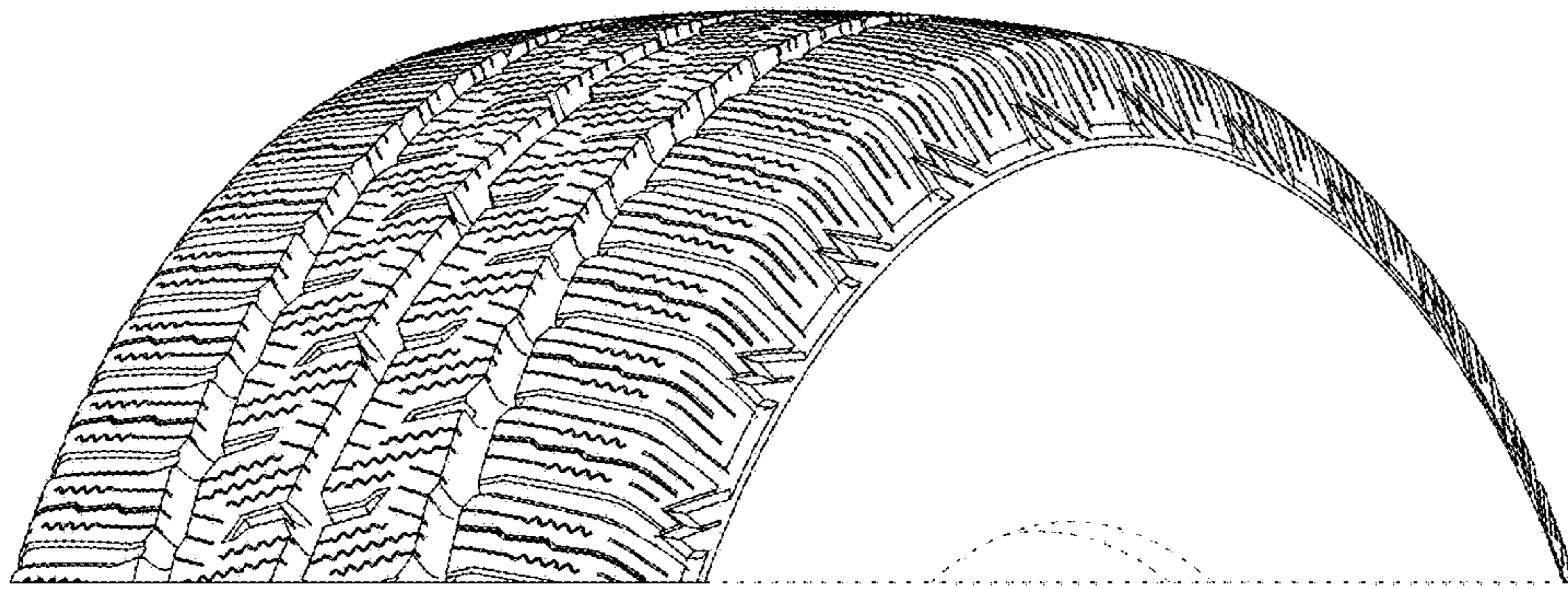


FIG. 6

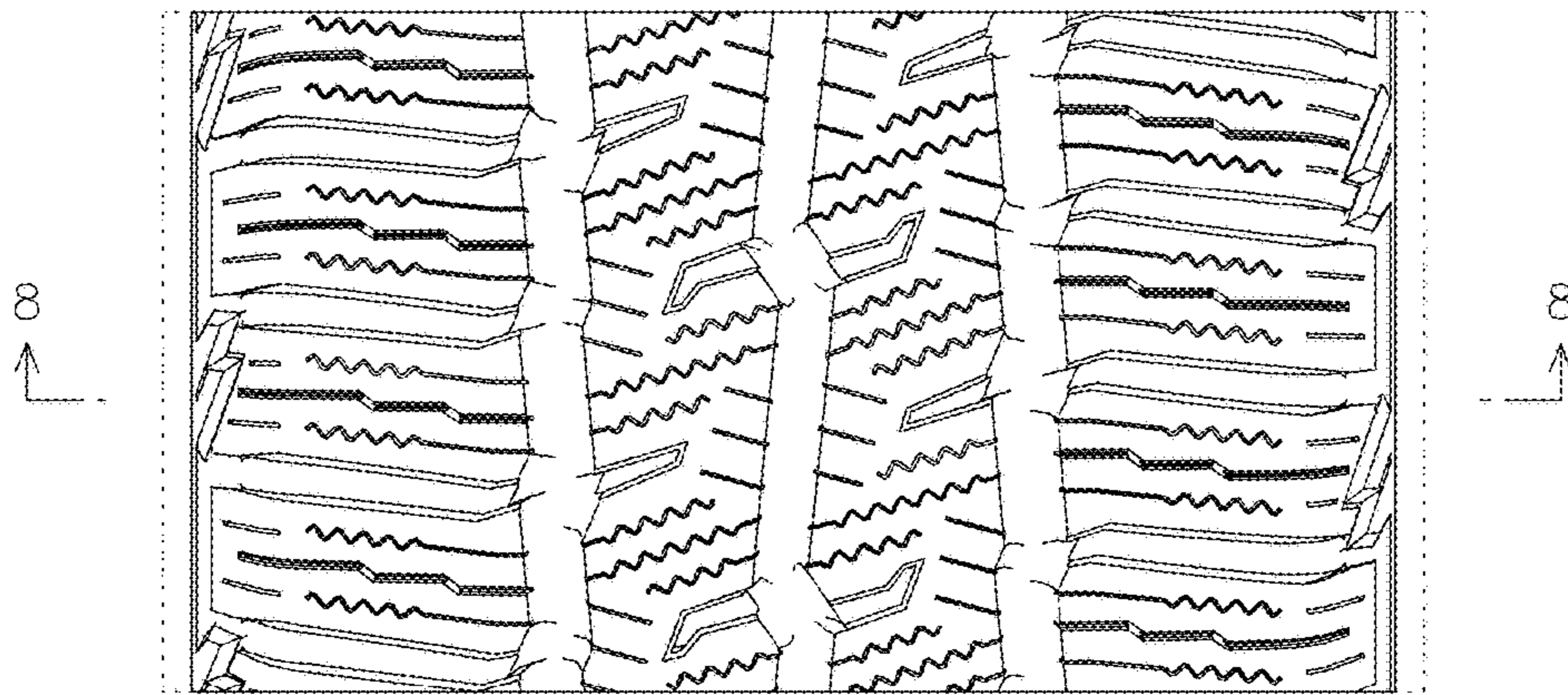


FIG. 7

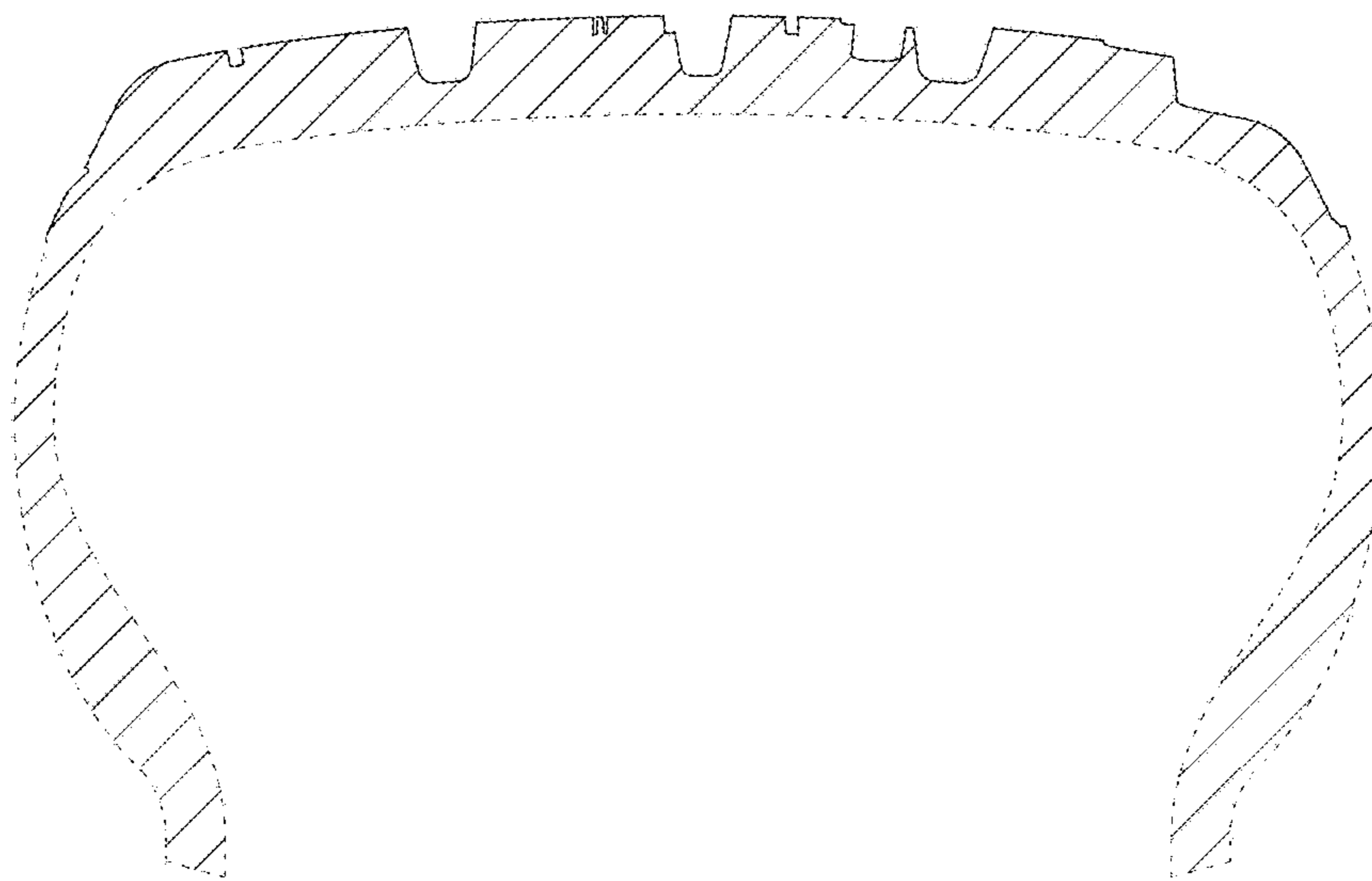


FIG. 8