



US00D863206S

(12) **United States Design Patent** (10) **Patent No.:** **US D863,206 S**
Cao (45) **Date of Patent:** **** Oct. 15, 2019**

(54) **ELECTRONIC DEVICE MOUNT FOR VEHICLES**

D833,369 S * 11/2018 Lan D12/415
D845,309 S * 4/2019 Goldstein D14/447
D854,537 S * 7/2019 Ackeret D14/253

(71) Applicant: **SHENZHEN TAOTAOGU E-COMMERCE CO., LTD.**, Shenzhen (CN)

OTHER PUBLICATIONS

“Choetech Fast Wireless Car Charger Mount, 7.5W Compatible with Apple iPhone XR/XS/XS Max/X/8, 10W for Galaxy S10/ Note 9/S9/S9+/ S8/ Note 8. 5W for Qi-enabled Phone Wireless Car Charger Phone Holder”, Retrieved Jul. 17, 2019. Retrieved from Internet, <https://www.amazon.co.uk/CHOETECH-Wireless-Charger-Compatible-Qi-enabled/dp/B07P7SHZV9/>.

(72) Inventor: **Jiangyan Cao**, Shenzhen (CN)

(Continued)

(73) Assignee: **SHENZHEN TAOTAOGU E-COMMERCE CO., LTD.**, Shenzhen (CN)

(**) Term: **15 Years**

Primary Examiner — Katrina A Betton

(21) Appl. No.: **29/696,990**

(57) **CLAIM**

The ornamental design for an electronic device mount for vehicles, as shown and described.

(22) Filed: **Jul. 3, 2019**

DESCRIPTION

(51) **LOC (12) Cl.** **12-16**

(52) **U.S. Cl.**
USPC **D12/420; D12/415**

(58) **Field of Classification Search**
USPC D12/420, 415–419, 400, 191, 106, 195, D12/192, 345, 96, 99
CPC B60R 7/04; B60R 7/08
See application file for complete search history.

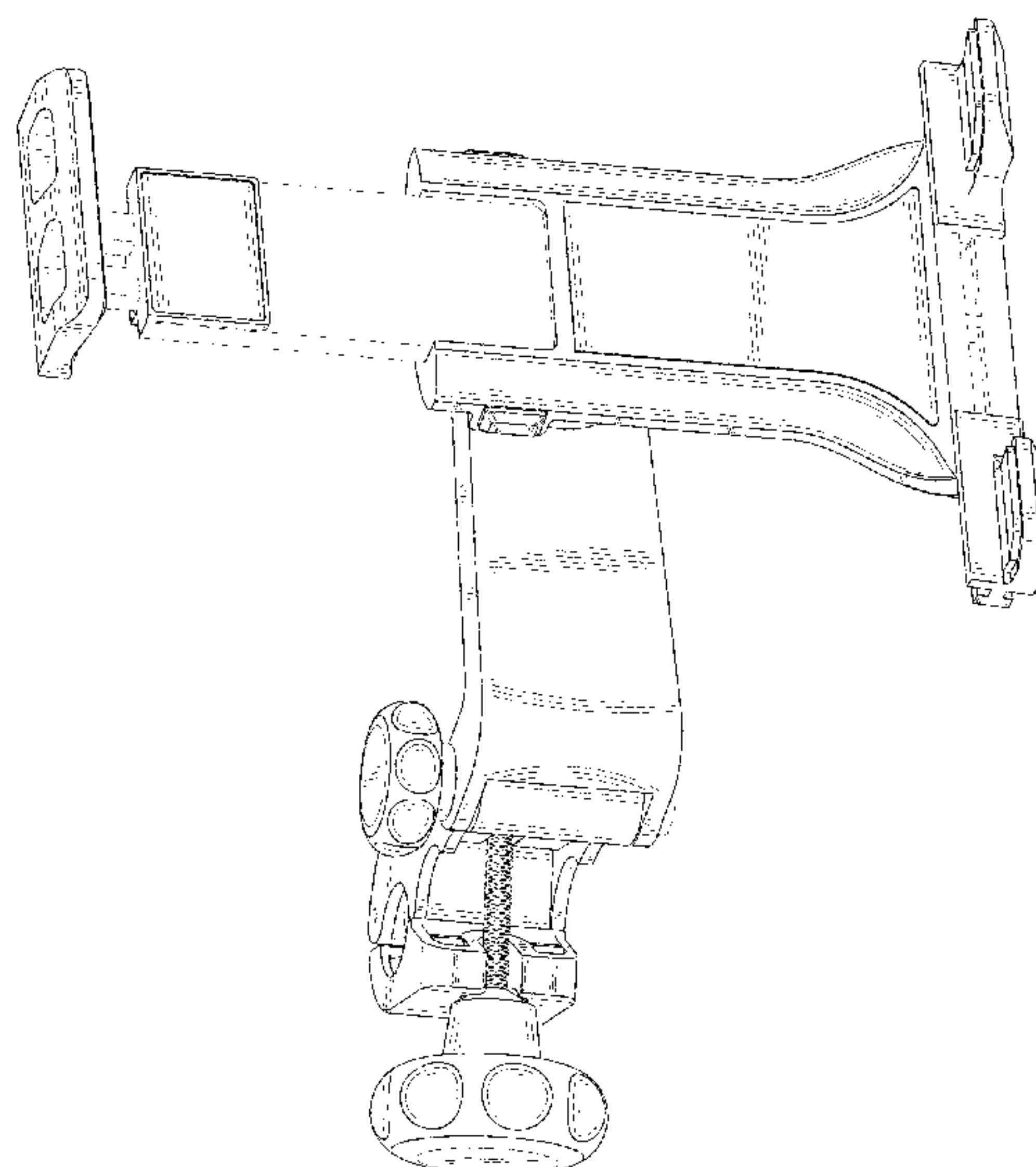
FIG. 1 is a perspective view of an electronic device mount for vehicles showing my new design;
FIG. 2 is another perspective view thereof;
FIG. 3 is a front elevational view thereof;
FIG. 4 is a rear elevational view thereof;
FIG. 5 is a left side elevational view thereof;
FIG. 6 is a right side elevational view thereof;
FIG. 7 is a top plan view thereof;
FIG. 8 is a bottom plan view thereof;
FIG. 9 is a perspective view of the electronic device mount for vehicles where the electronic device mount for vehicles is in a configuration of use;
FIG. 10 is another perspective view thereof;
FIG. 11 is another perspective view thereof; and,
FIG. 12 is an enlarged view of portion 12 shown in FIG. 1.
The broken lines in the drawings depict portions of the electronic device mount for vehicles that form no part of the claimed design.

(56) **References Cited**

U.S. PATENT DOCUMENTS

D298,884 S * 12/1988 Rychlock D12/420
D307,669 S * 5/1990 Inouye D12/420
D326,589 S * 6/1992 White D12/420
D336,579 S * 6/1993 Keller D12/420
D603,322 S * 11/2009 Nicieja D12/415
D690,707 S * 10/2013 Minn B60R 11/0241
D14/447
D767,556 S * 9/2016 Lee D12/415
D796,421 S * 9/2017 Huang D12/415
D818,421 S * 5/2018 Hu D12/415

1 Claim, 12 Drawing Sheets



(56)

References Cited

OTHER PUBLICATIONS

“Homder Automatic Clamping Wireless Car Charger Mount, 10W/7.5W Qi Fast Charging Car Phone Holder, Windshield Dashboard Air Vent Compatible with iPhone Xs/Max/X/XR//8/8 Plus, Samsung Note 9/ S9/ S9+/ S8”, Retrieved Jul. 17, 2019]. Retrieved from internet, <https://www.amazon.co.uk/Homder-Automatic-Windshield-Dashboard-Compatible/dp/B07P7SHZV9/>.

* cited by examiner

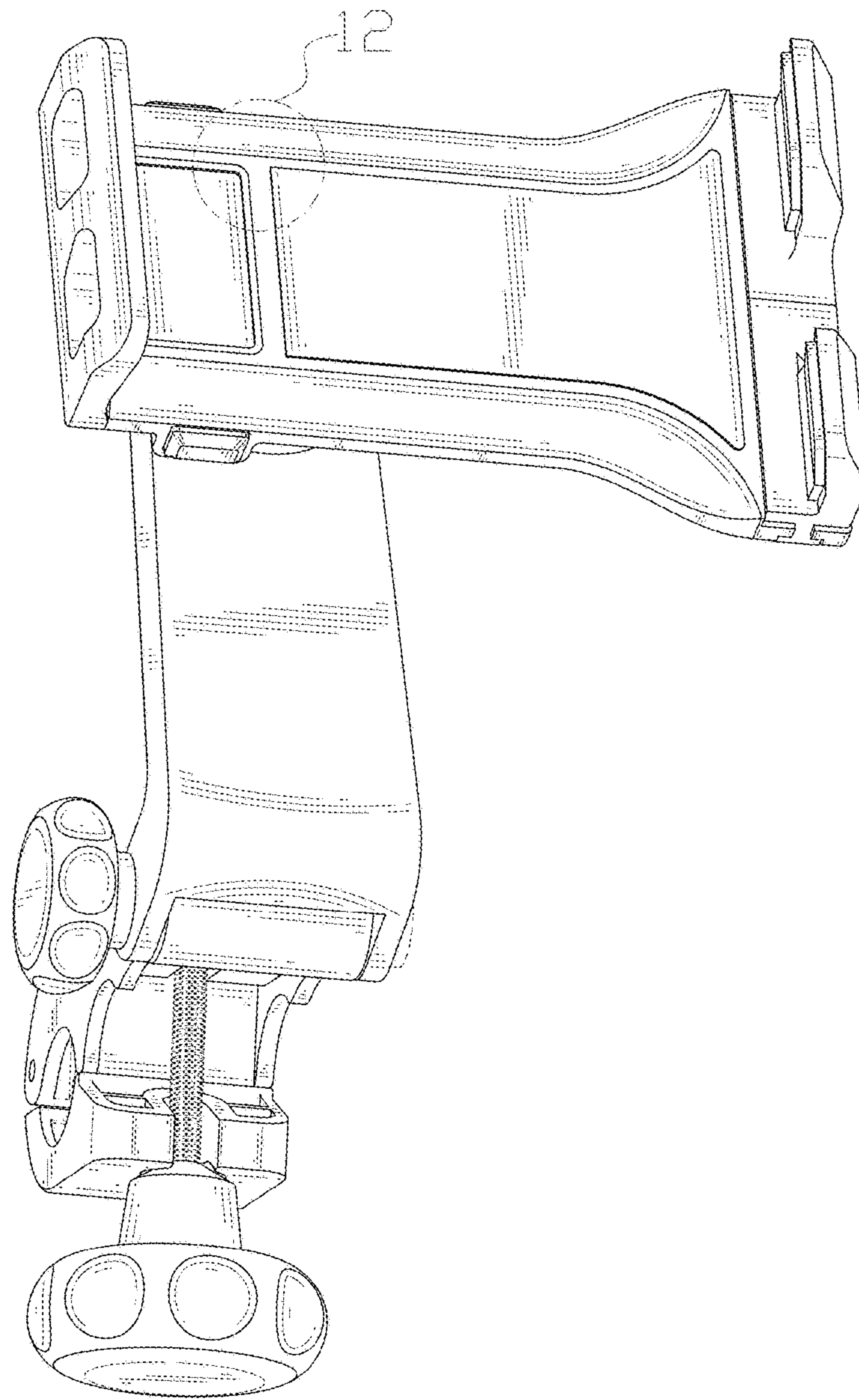


FIG. 1

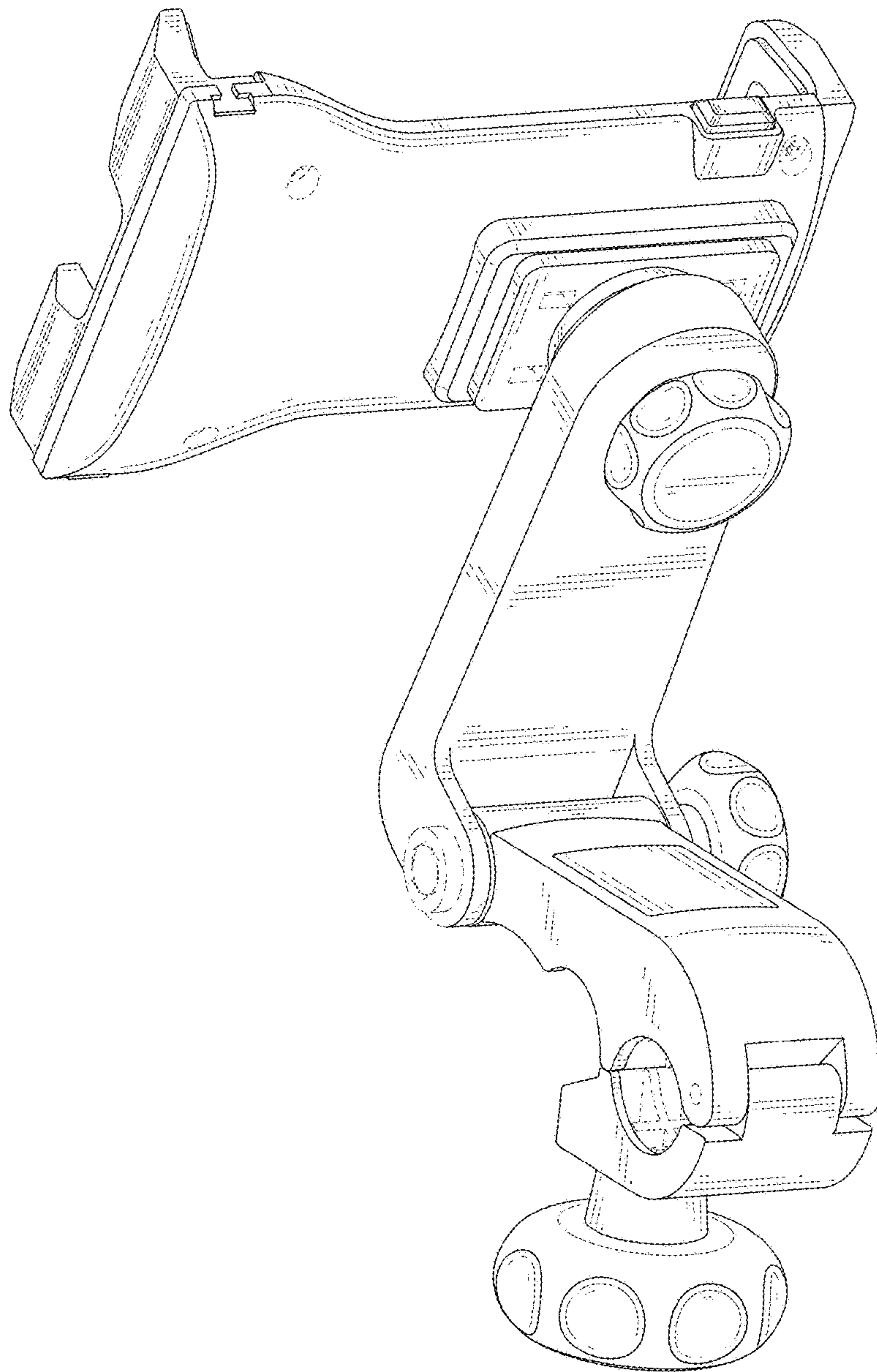


FIG. 2

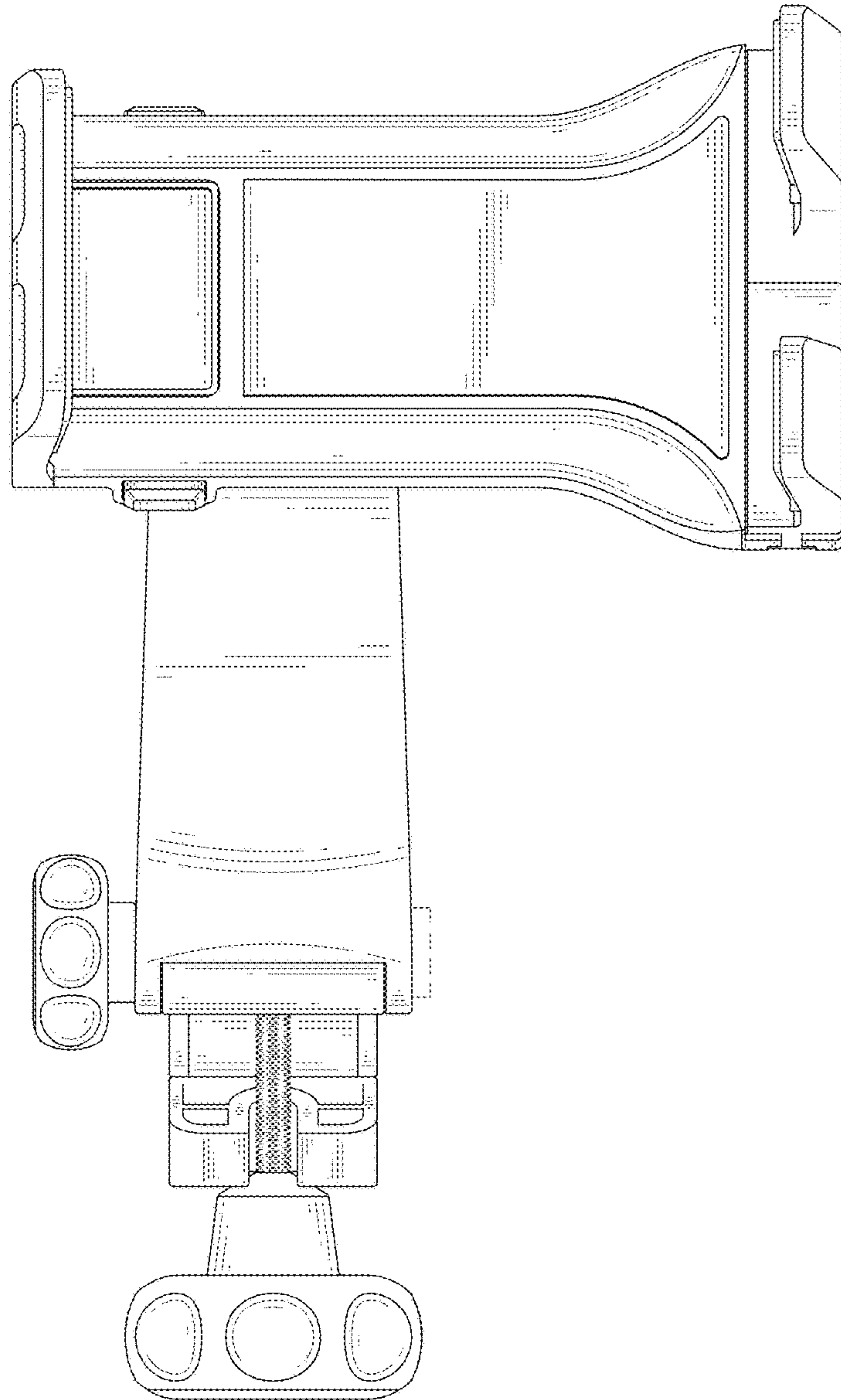


FIG. 3

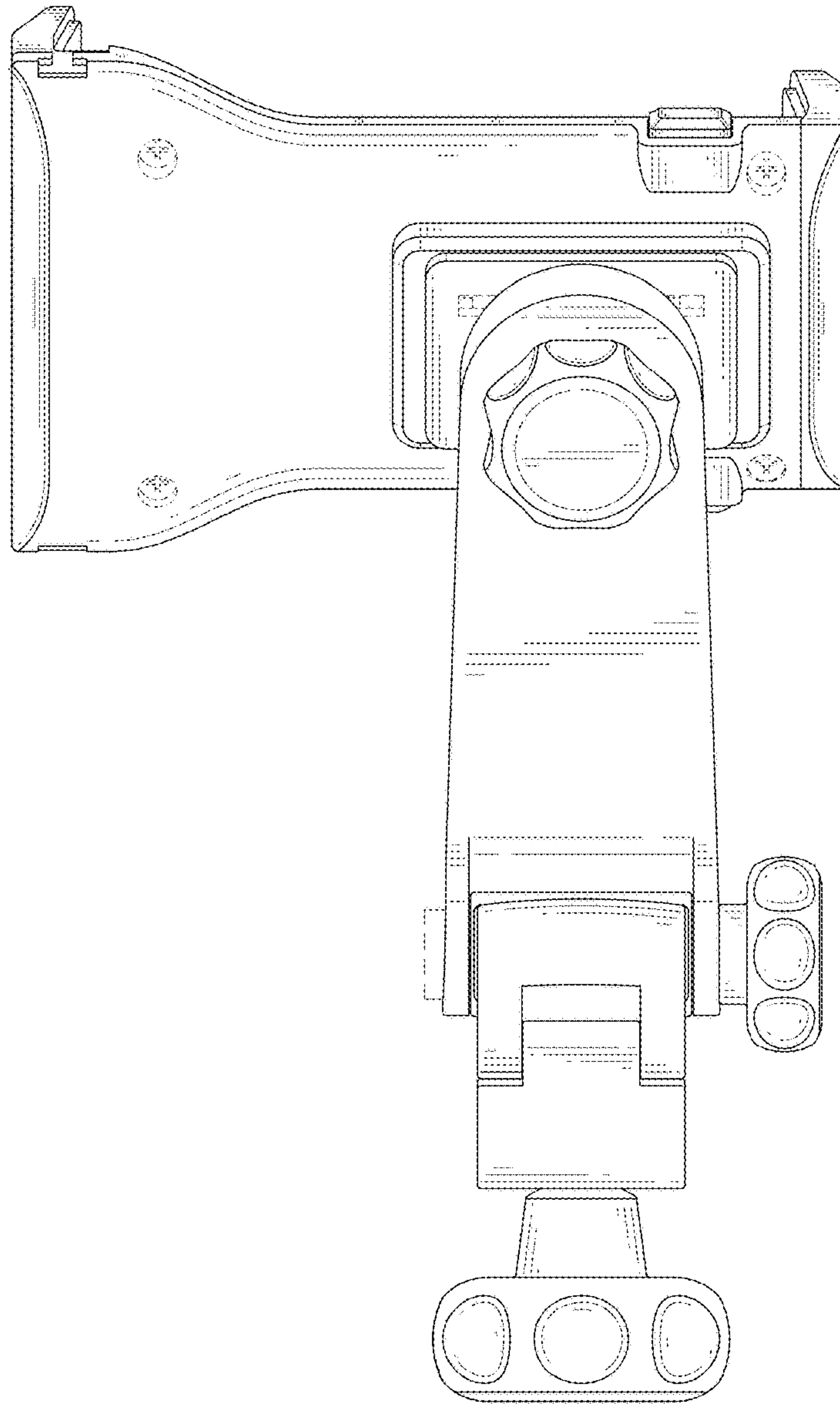


FIG. 4

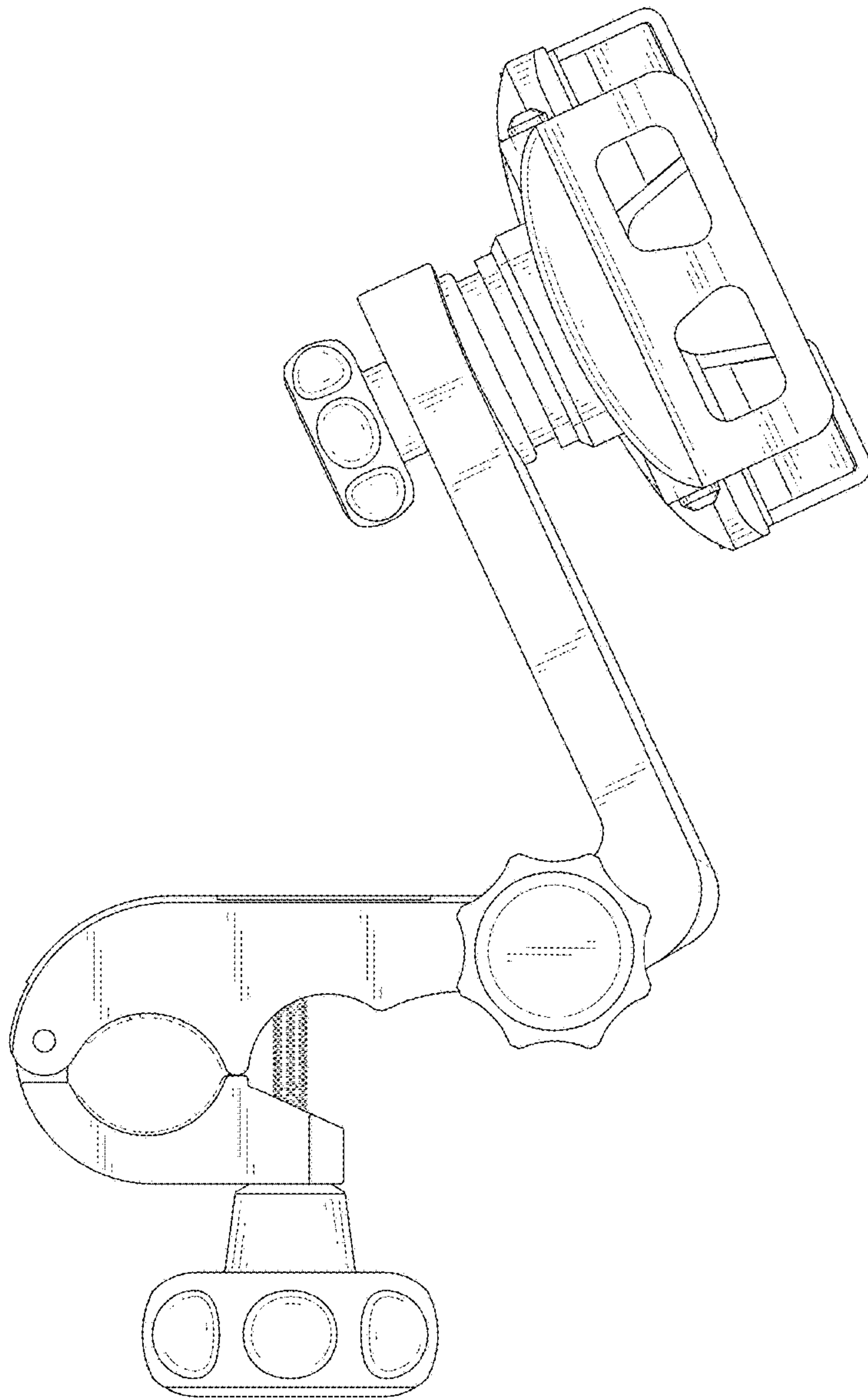


FIG. 5

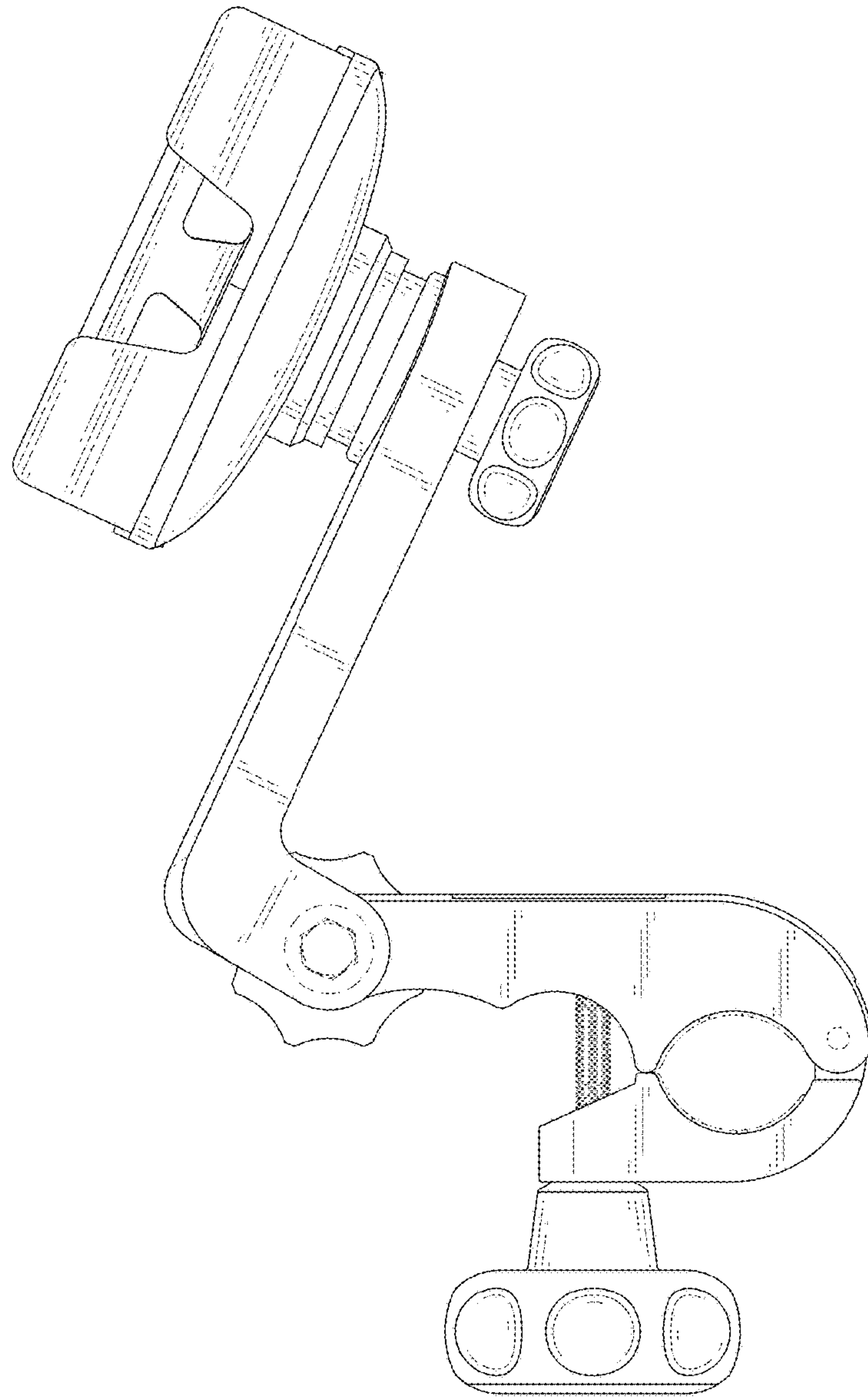


FIG. 6

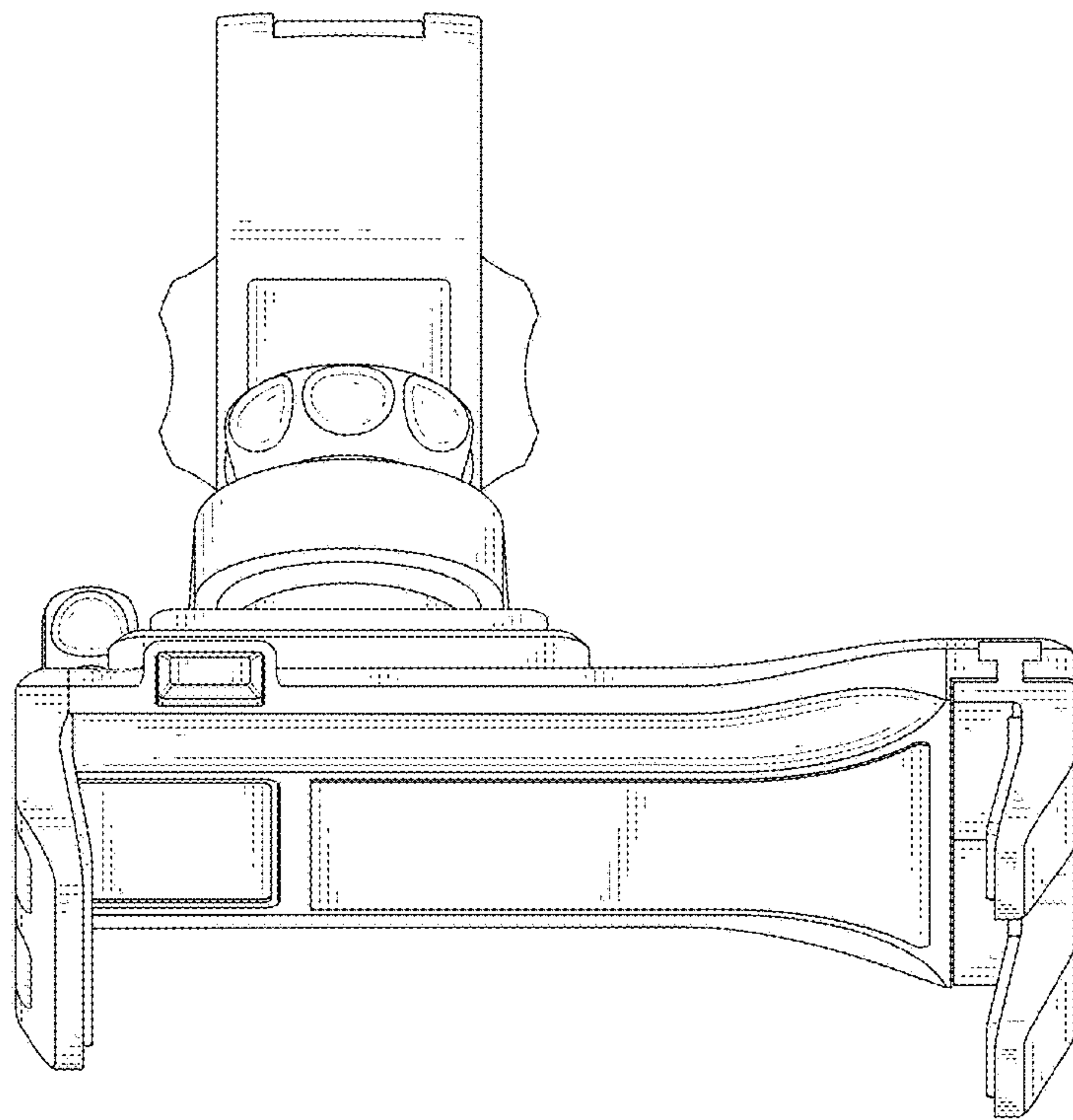


FIG. 7

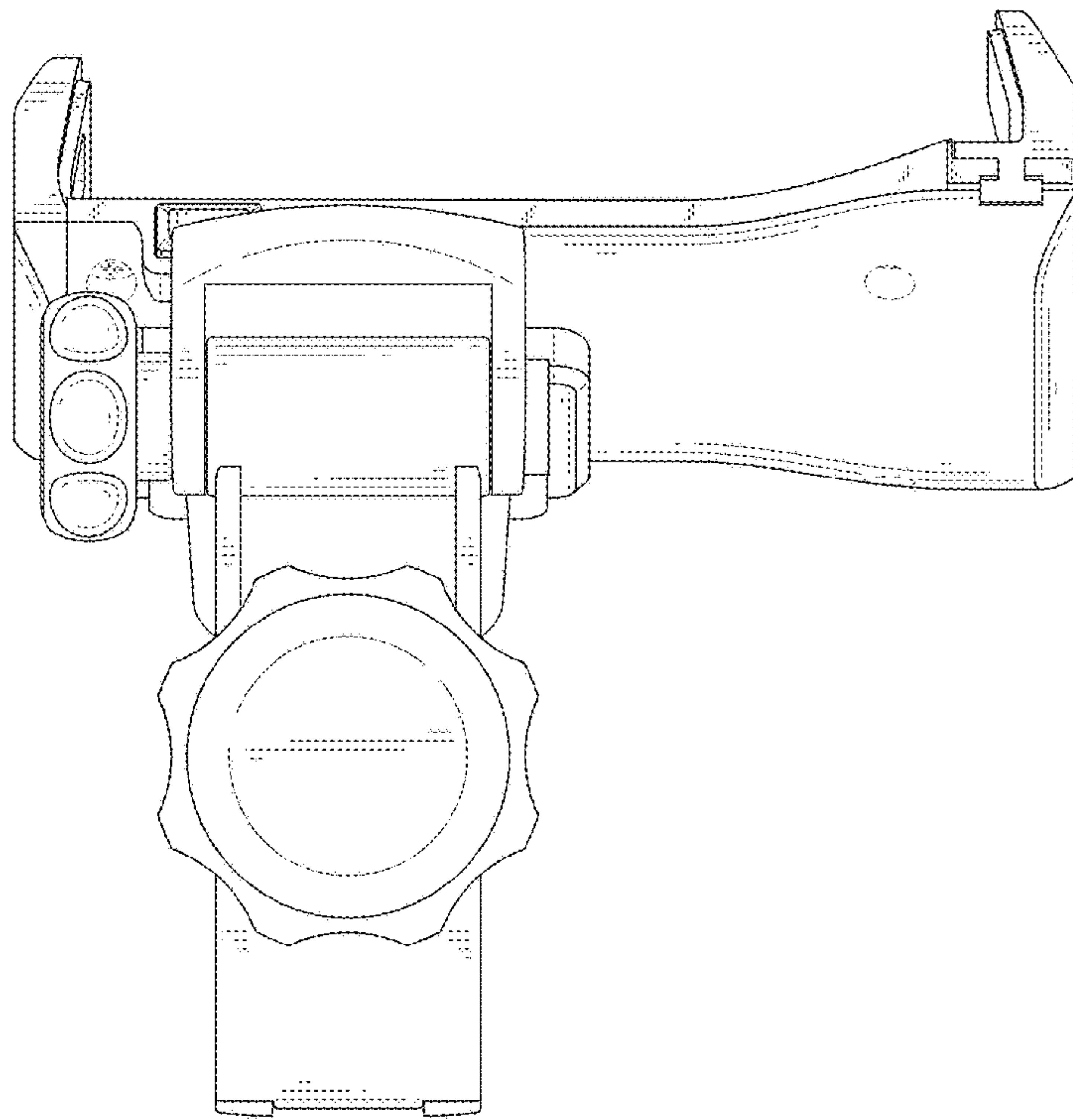


FIG. 8

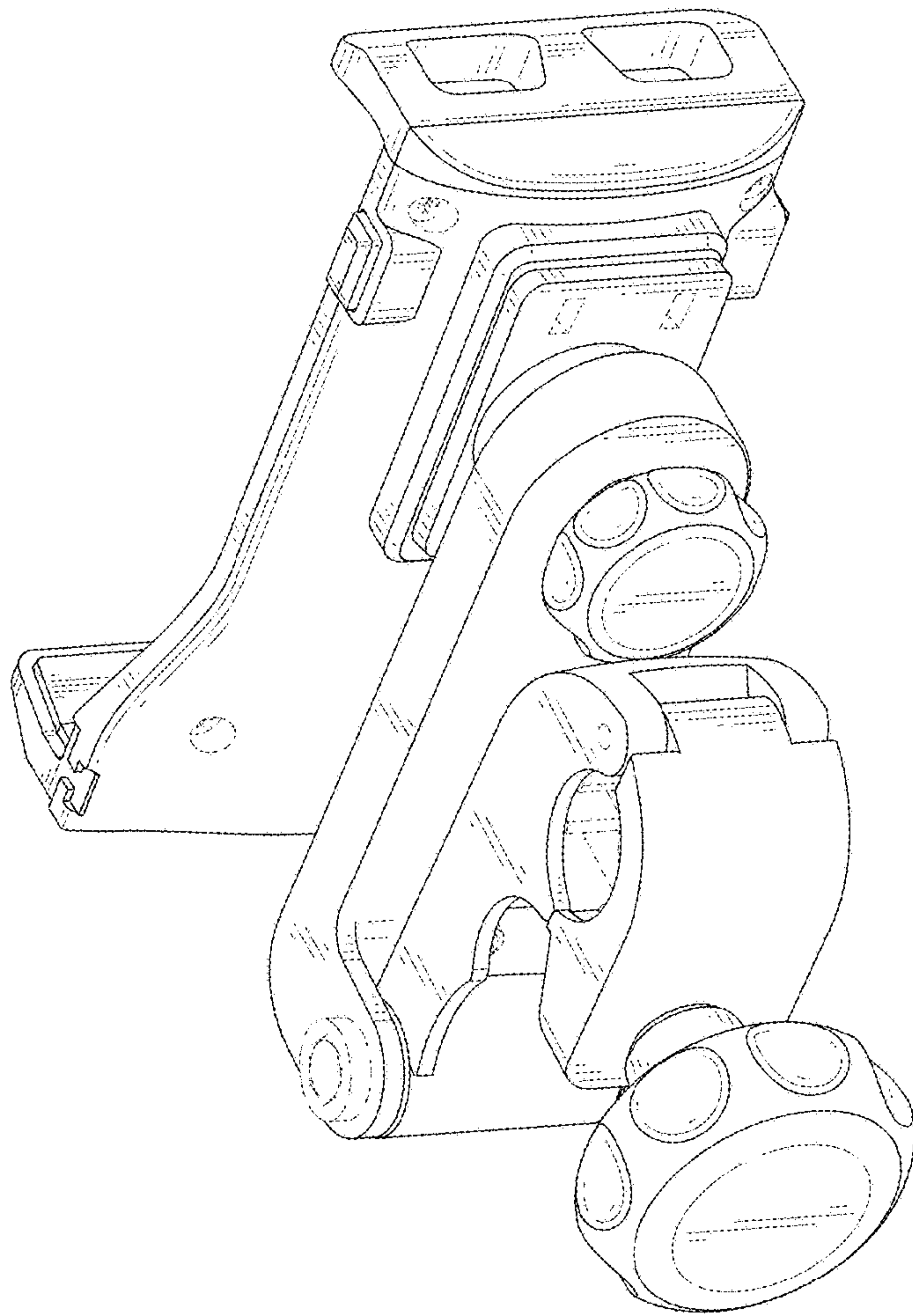


FIG. 9

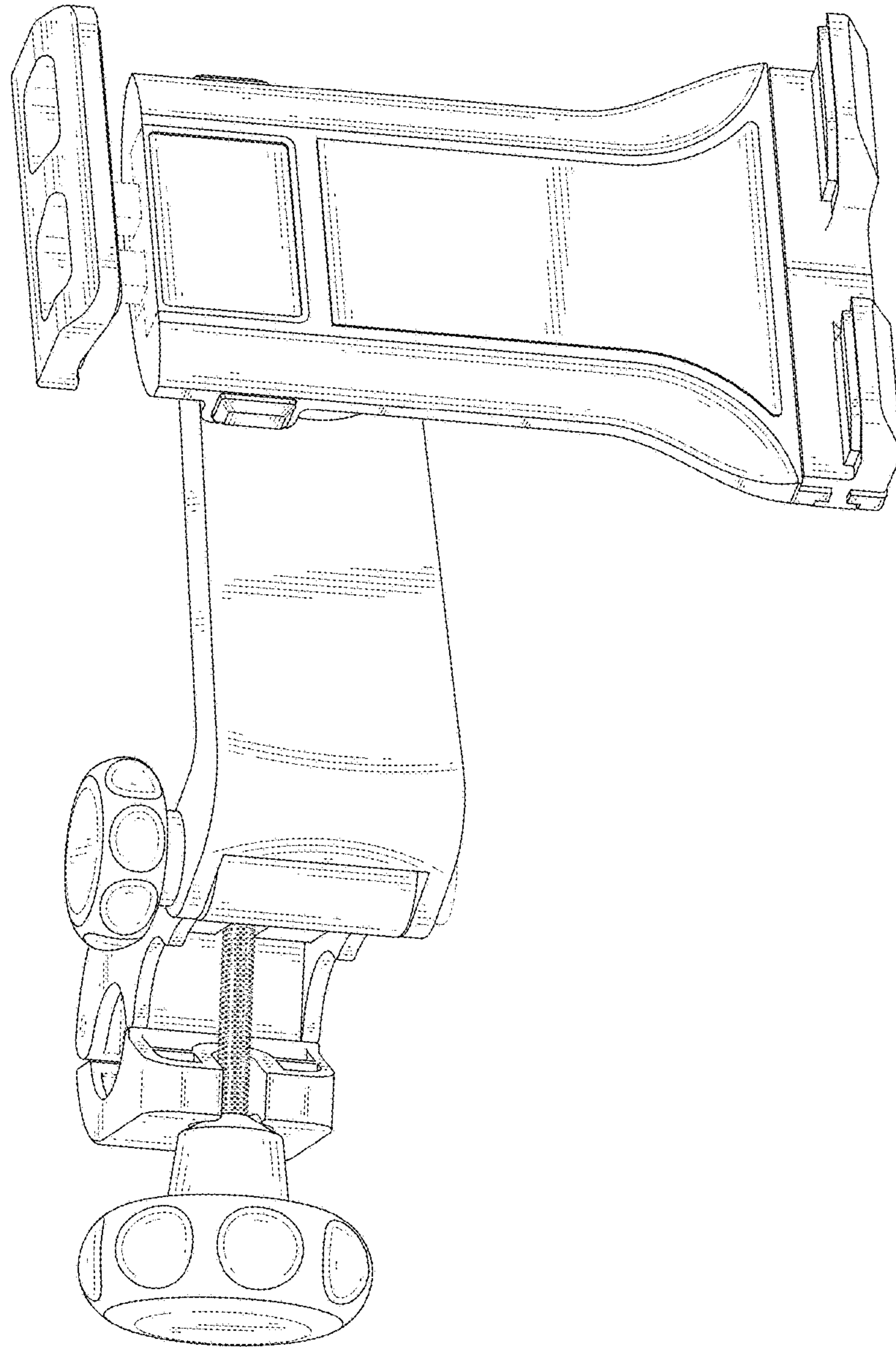


FIG. 10

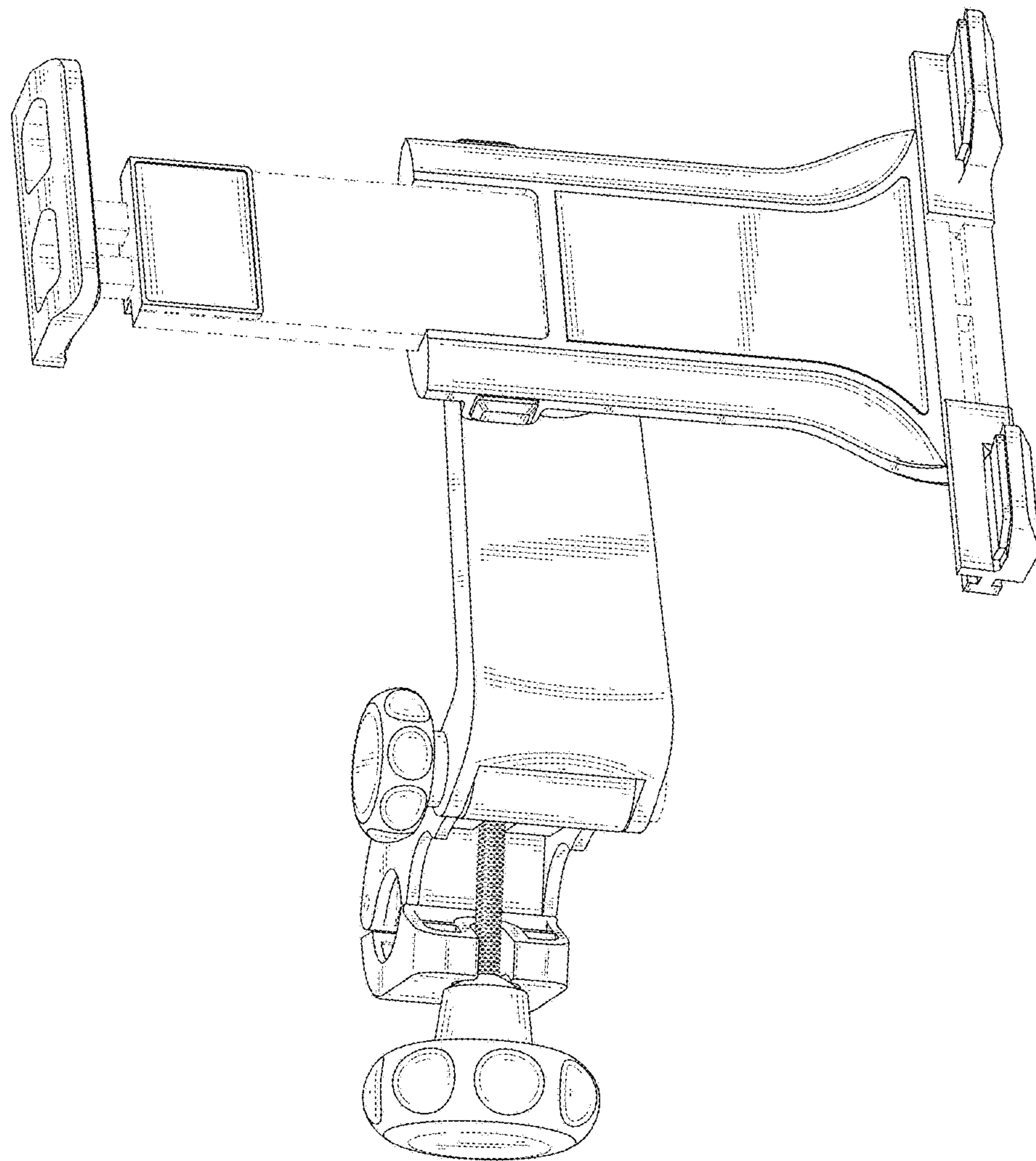


FIG. 11

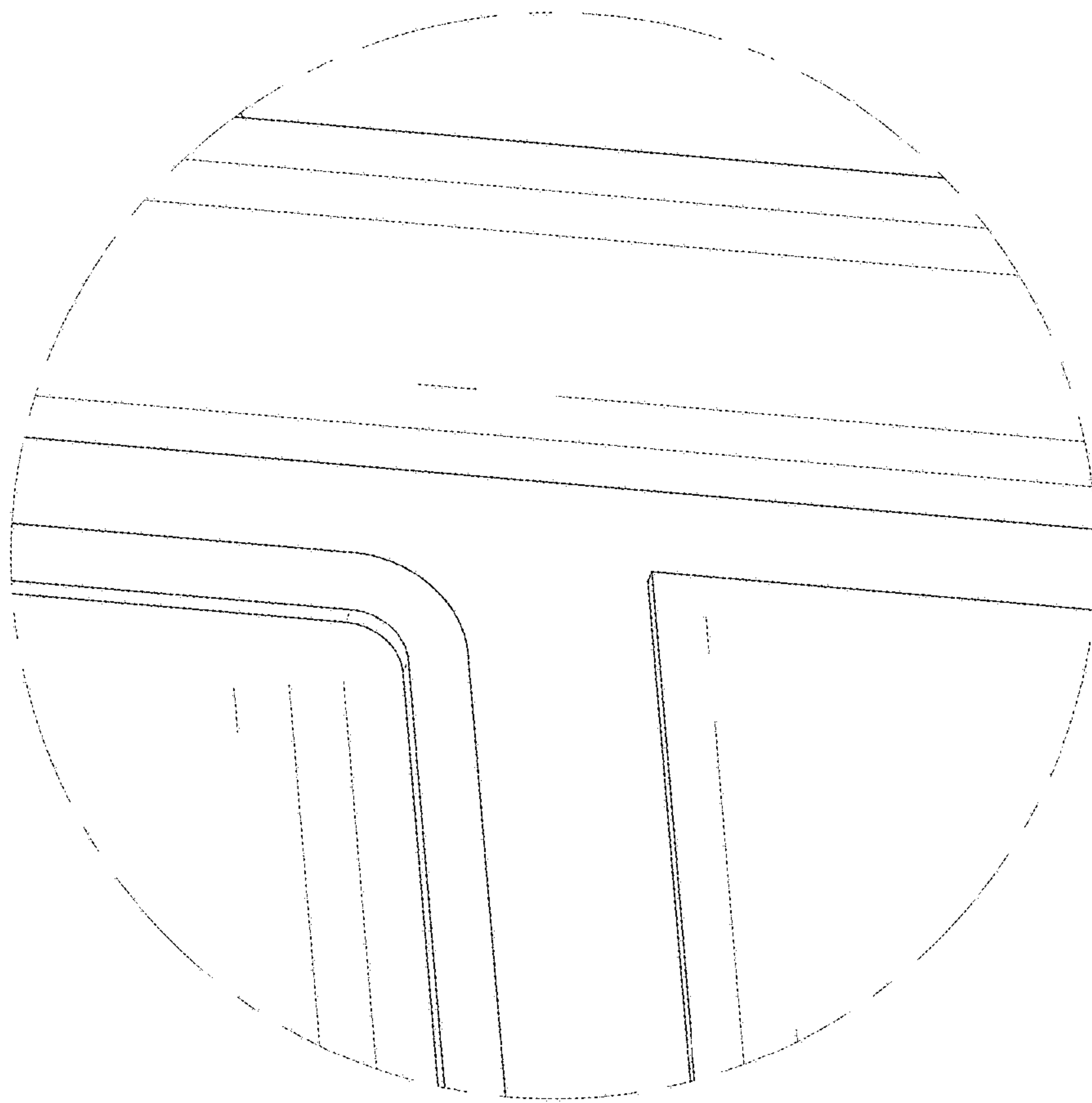


FIG. 12