



US00D863205S

(12) **United States Design Patent**  
**Lin**

(10) **Patent No.:** **US D863,205 S**

(45) **Date of Patent:** **\*\* Oct. 15, 2019**

(54) **MULTI-FUNCTION CAR PHONE HOLDER**

D818,421 S \* 5/2018 Hu ..... D12/415  
D833,369 S \* 11/2018 Lan ..... D12/415  
D852,188 S \* 6/2019 He ..... D14/253

(71) Applicant: **Xiaodong Lin**, Guangdong (CN)

\* cited by examiner

(72) Inventor: **Xiaodong Lin**, Guangdong (CN)

*Primary Examiner* — Abraham Bahta

(\*\*) Term: **15 Years**

(74) *Attorney, Agent, or Firm* — Justin Lampel

(21) Appl. No.: **29/657,857**

(22) Filed: **Jul. 26, 2018**

(51) **LOC (12) Cl.** ..... **12-16**

(52) **U.S. Cl.**  
USPC ..... **D12/415**

(58) **Field of Classification Search**  
USPC ..... D12/415-420, 400, 191, 106, 195, 345,  
D12/96, 99

CPC ..... B60R 7/06; B60R 11/02; B60R 2011/005;  
B60R 2011/0012; A61L 9/12; A61L 9/04

See application file for complete search history.

(56) **References Cited**

**U.S. PATENT DOCUMENTS**

D767,556 S \* 9/2016 Lee ..... D12/415  
D796,421 S \* 9/2017 Huang ..... D12/415

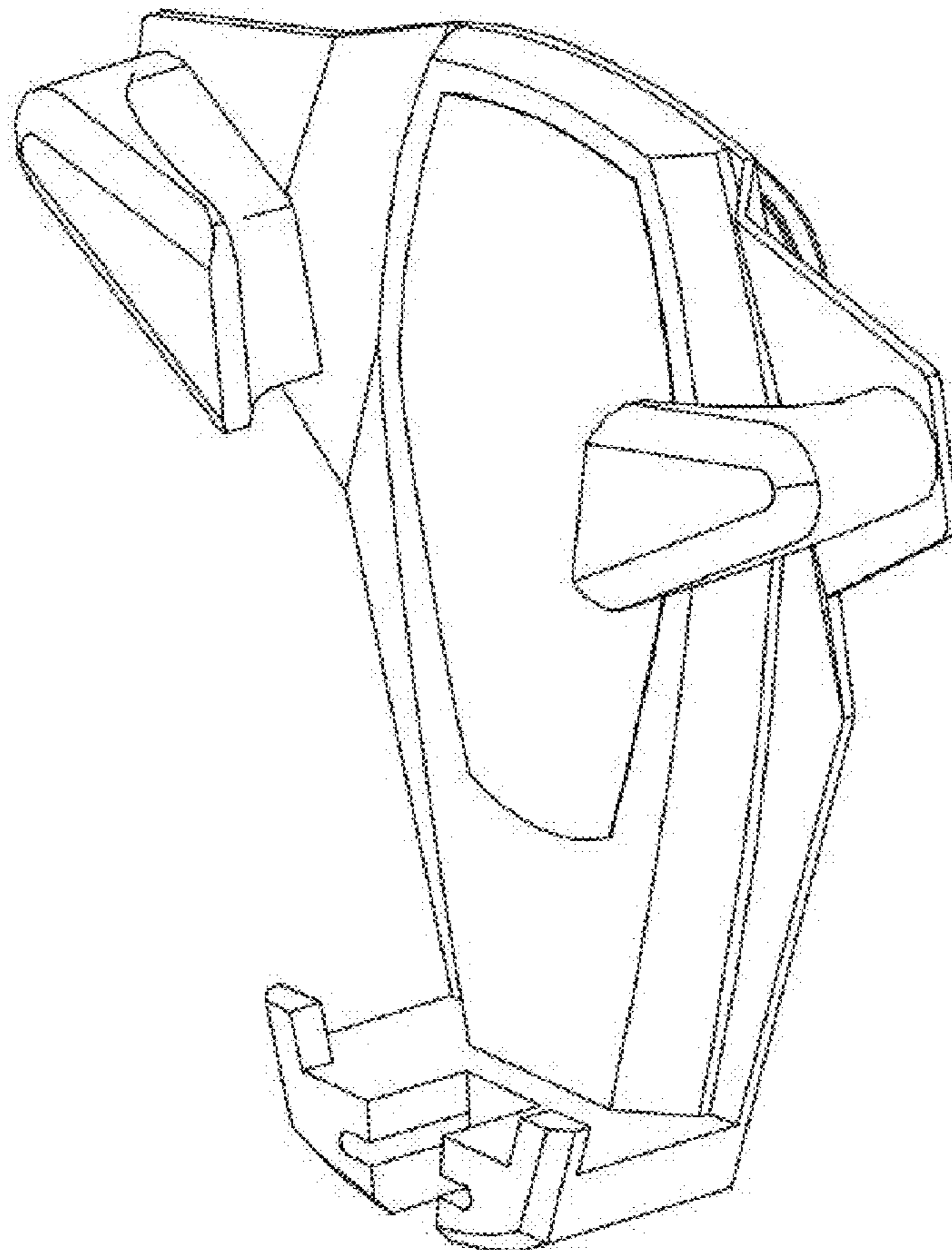
(57) **CLAIM**

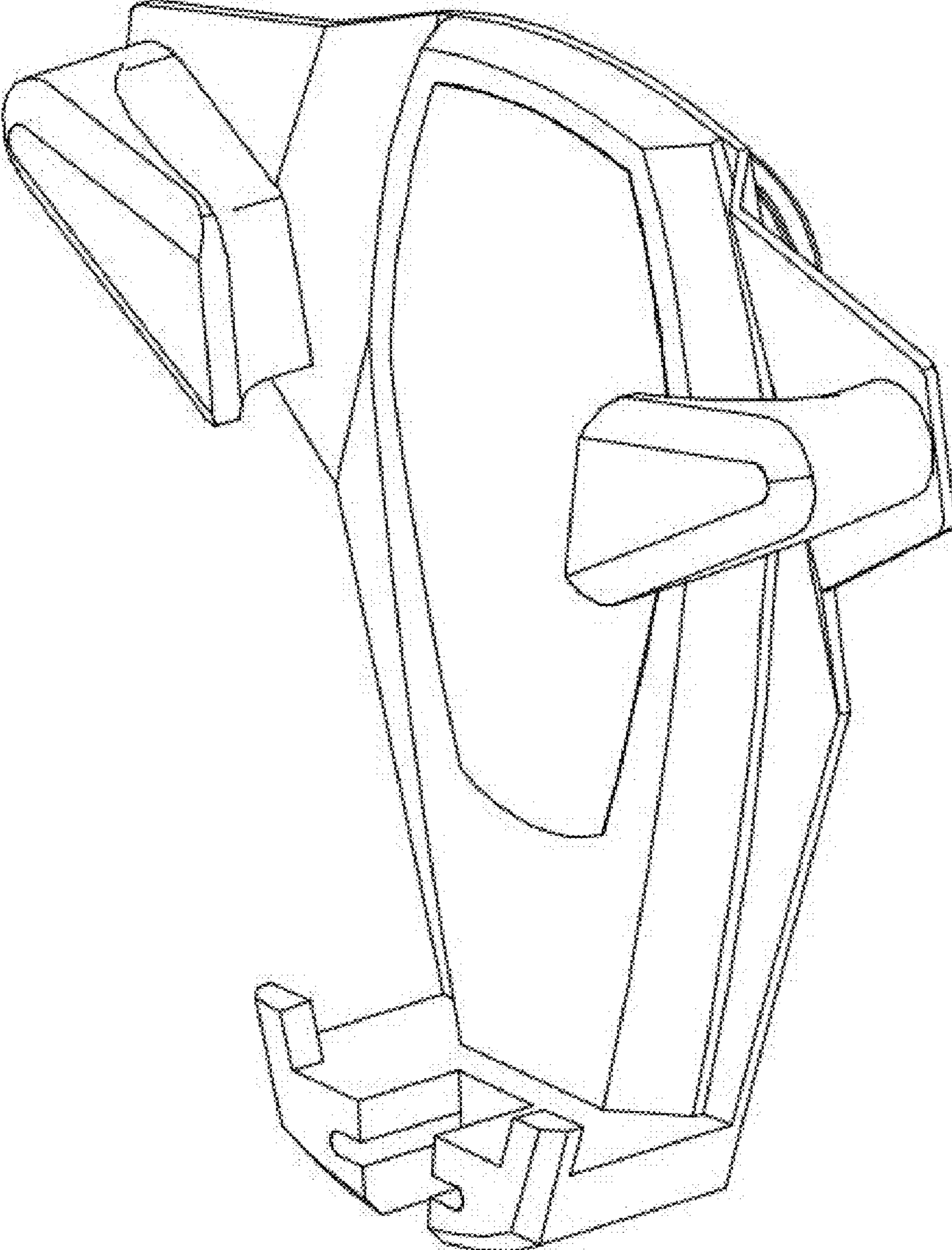
The ornamental design for a multi-function car phone holder, as shown and described.

**DESCRIPTION**

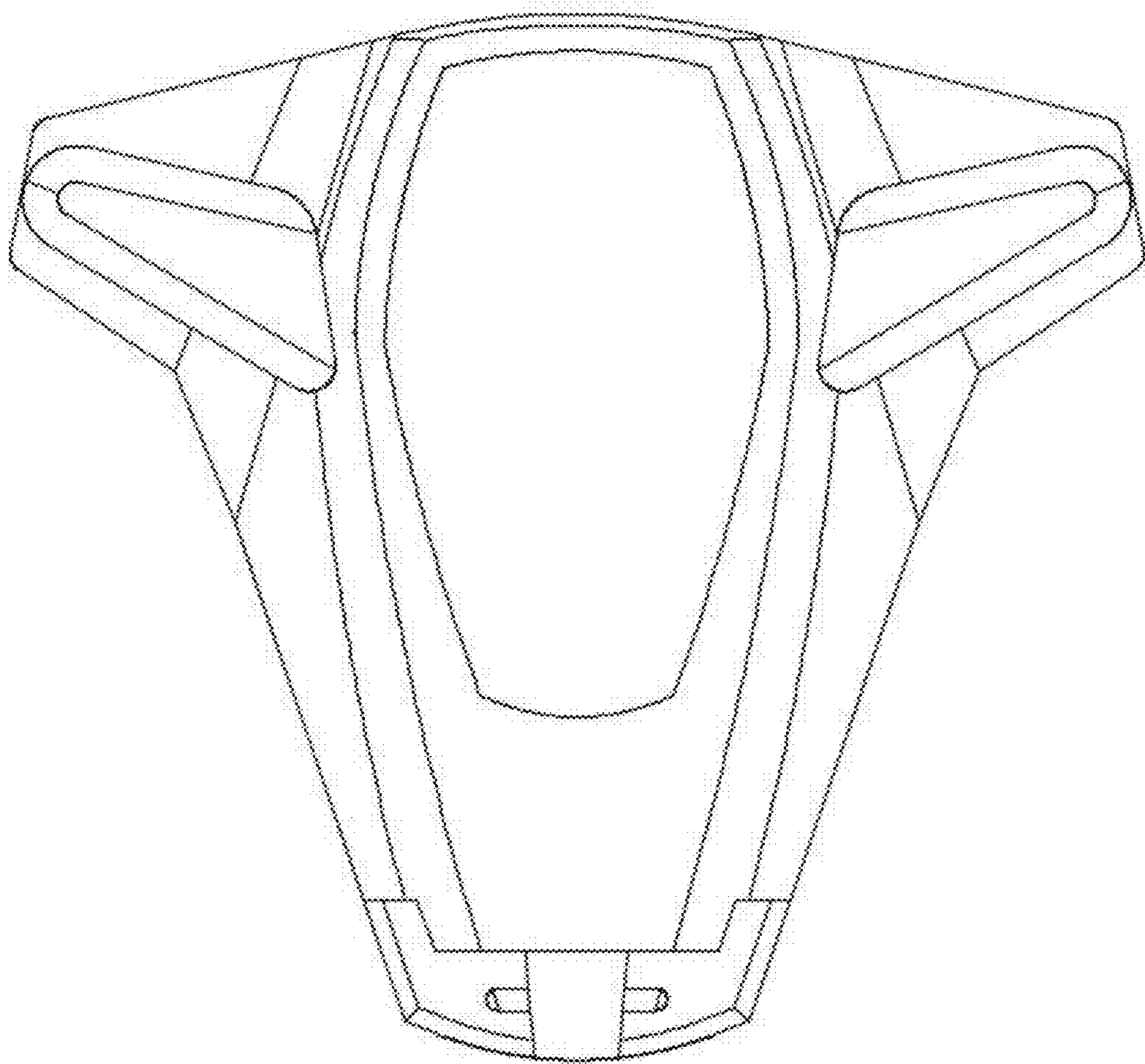
FIG. 1 is a perspective view of a multi-function car phone holder showing my new design;  
FIG. 2 is a front side view thereof;  
FIG. 3 is a rear side view thereof;  
FIG. 4 is a right side view thereof;  
FIG. 5 is a left side view thereof;  
FIG. 6 is a bottom plan view thereof; and,  
FIG. 7 is a top plan view thereof.

**1 Claim, 7 Drawing Sheets**

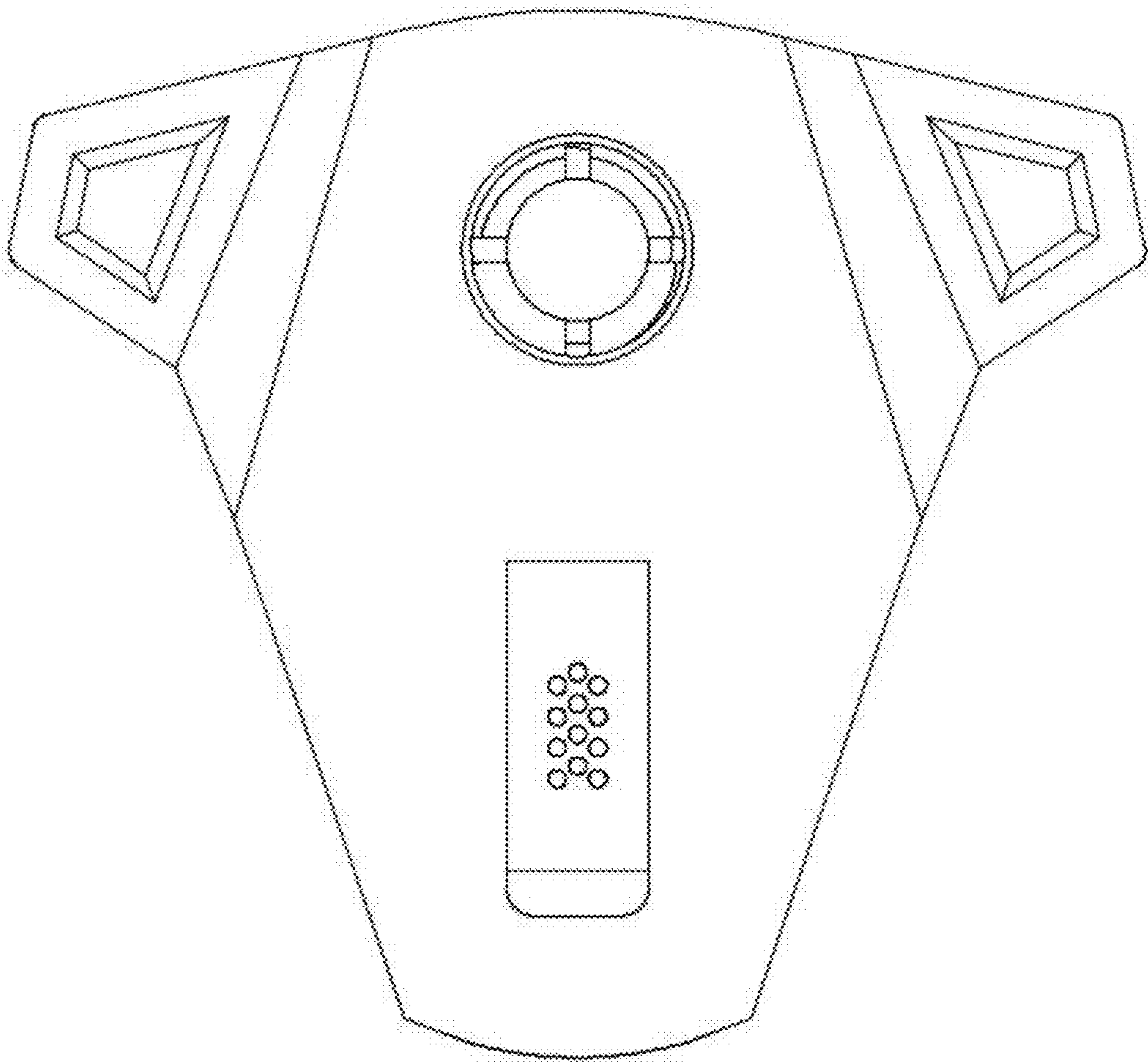




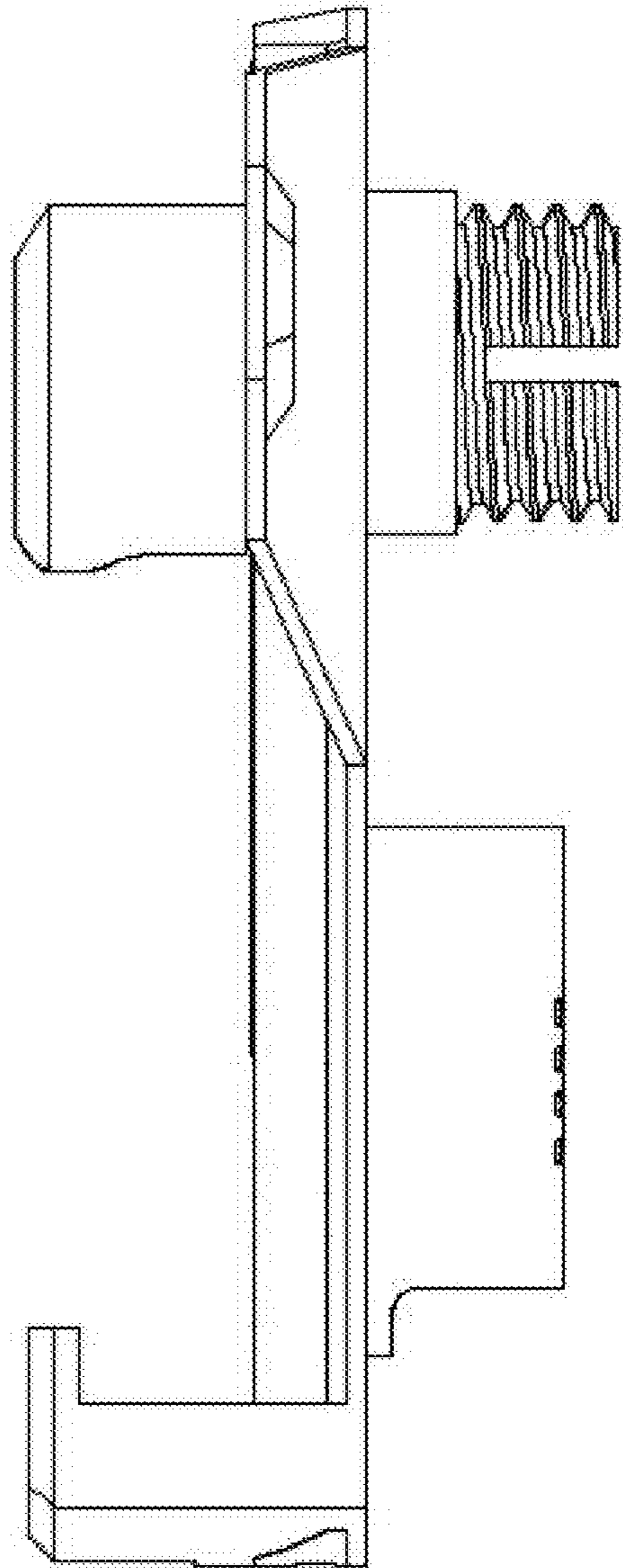
**FIG. 1**



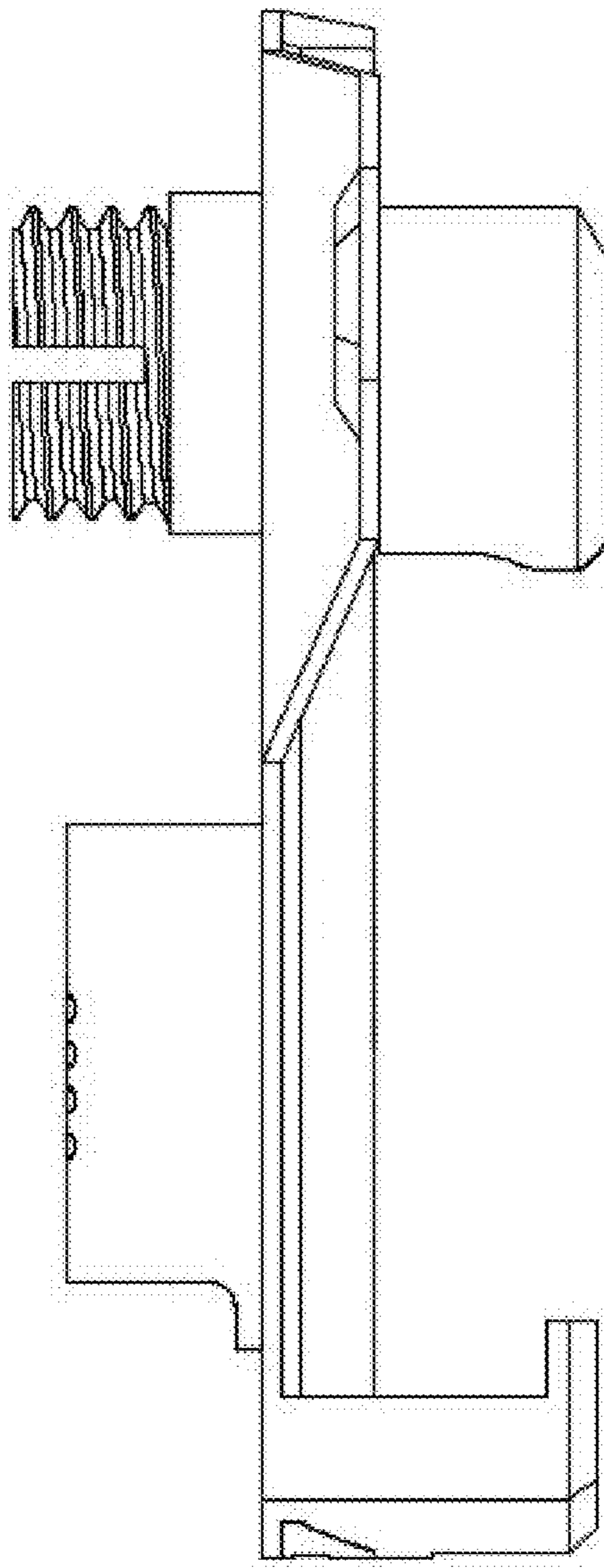
**FIG. 2**



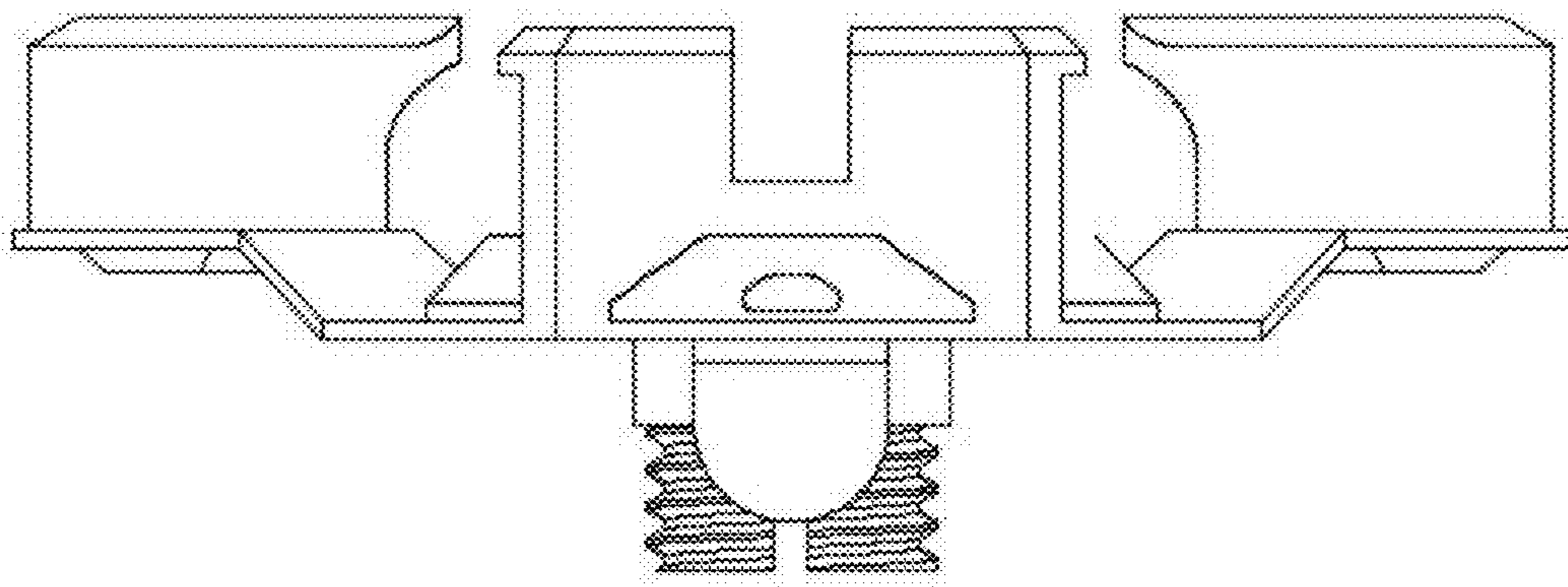
**FIG. 3**



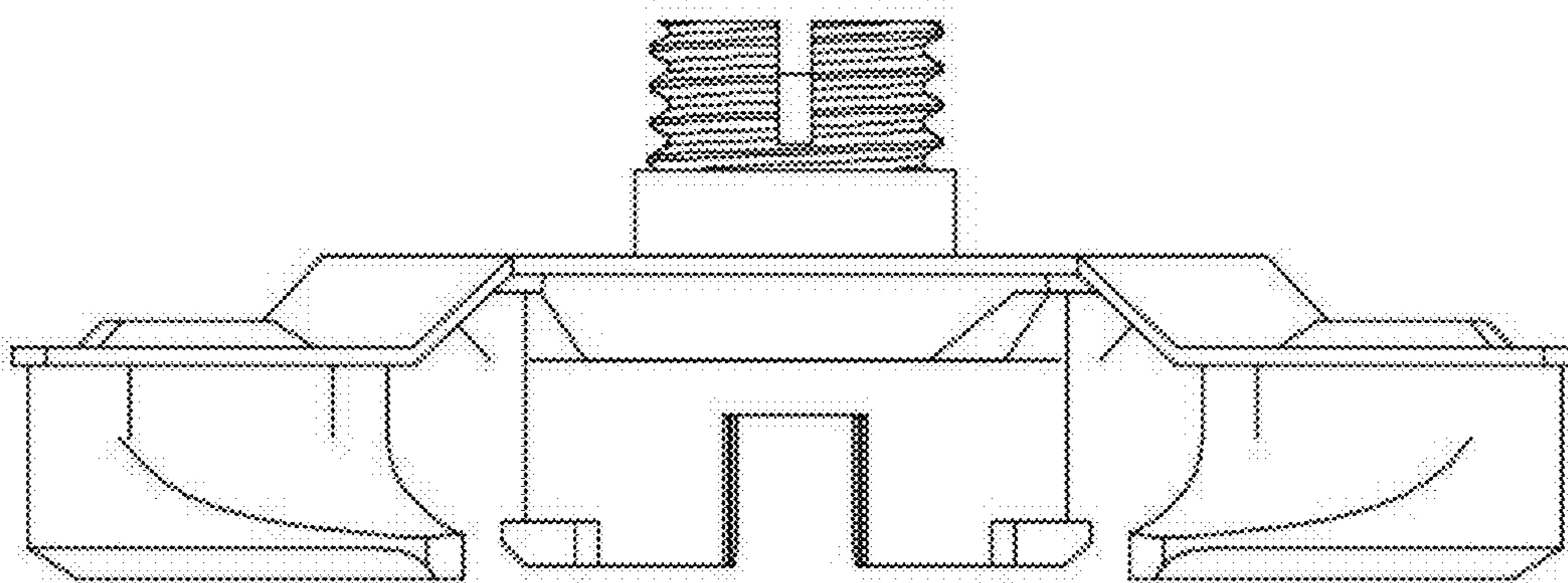
**FIG. 4**



**FIG. 5**



**FIG. 6**



**FIG. 7**