



US00D863204S

(12) **United States Design Patent** (10) **Patent No.:** **US D863,204 S**
Ryou et al. (45) **Date of Patent:** **** Oct. 15, 2019**

(54) **DISPLAY PANEL FOR AUTOMOBILE CLUSTER**

(71) Applicant: **LG DISPLAY CO., LTD.**, Seoul (KR)

(72) Inventors: **Soomin Ryou**, Seoul (KR); **Dong Jin Seo**, Seoul (KR)

(73) Assignee: **LG Display Co., Ltd.**, Seoul (KR)

(**) Term: **15 Years**

(21) Appl. No.: **29/655,647**

(22) Filed: **Jul. 5, 2018**

(30) **Foreign Application Priority Data**

Jan. 5, 2018 (KR) 30-2018-0000830

(51) **LOC (12) Cl.** **16-16**

(52) **U.S. Cl.**
USPC **D12/415**

(58) **Field of Classification Search**
USPC D14/126, 127-129, 133, 374, 388, 389;
D12/114, 192, 400, 415, 421; D10/46,
D10/98, 102, 103
CPC B60K 2350/2004; B60K 2350/2008; B60K
2350/1056; B60K 2350/206; B60K 37/00;
B60K 37/04; B60R 2300/205; B60R
2300/207

See application file for complete search history.

(56) **References Cited**

U.S. PATENT DOCUMENTS

D732,448 S *	6/2015	Yagisawa	D12/192
D755,745 S *	5/2016	Williams	D14/126
D832,754 S *	11/2018	Ryu	D12/192
D848,919 S *	5/2019	Kang	D12/192
D849,620 S *	5/2019	Roo-Clefas	D12/192
D849,622 S *	5/2019	Woodhouse	D12/192

* cited by examiner

Primary Examiner — Abraham Bahta

(74) *Attorney, Agent, or Firm* — Birch, Stewart, Kolasch & Birch, LLP

(57) **CLAIM**

The ornamental design for a display panel for automobile cluster, as shown.

DESCRIPTION

FIG. 1 is a front, right, top perspective view of the display panel for automobile cluster showing our new design; FIG. 2 is a front view thereof; FIG. 3 is a rear view thereof; FIG. 4 is a left side view thereof; FIG. 5 is a right side view thereof; FIG. 6 is a top plan view thereof; and, FIG. 7 is a bottom view thereof.

1 Claim, 3 Drawing Sheets

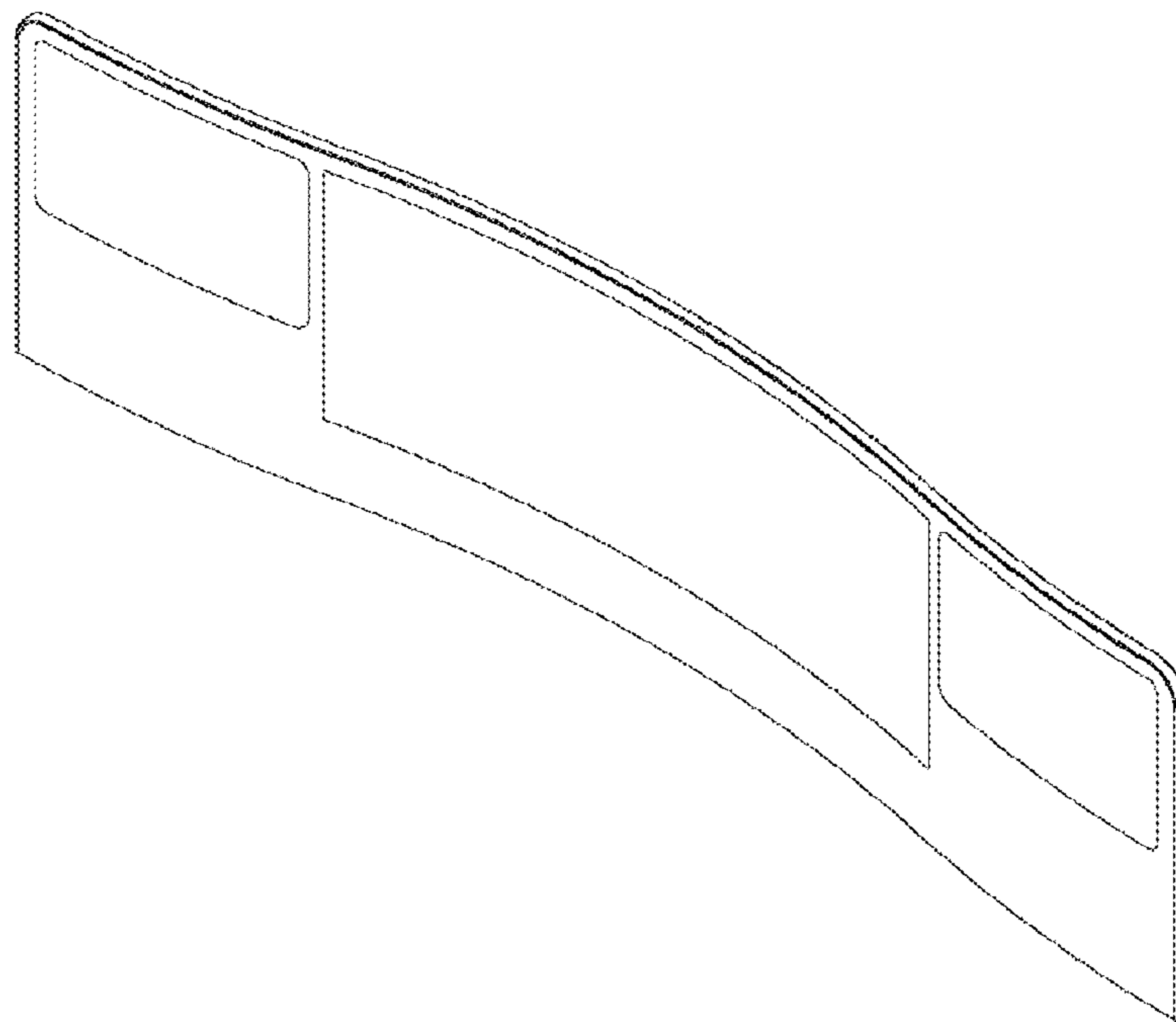


FIG. 1

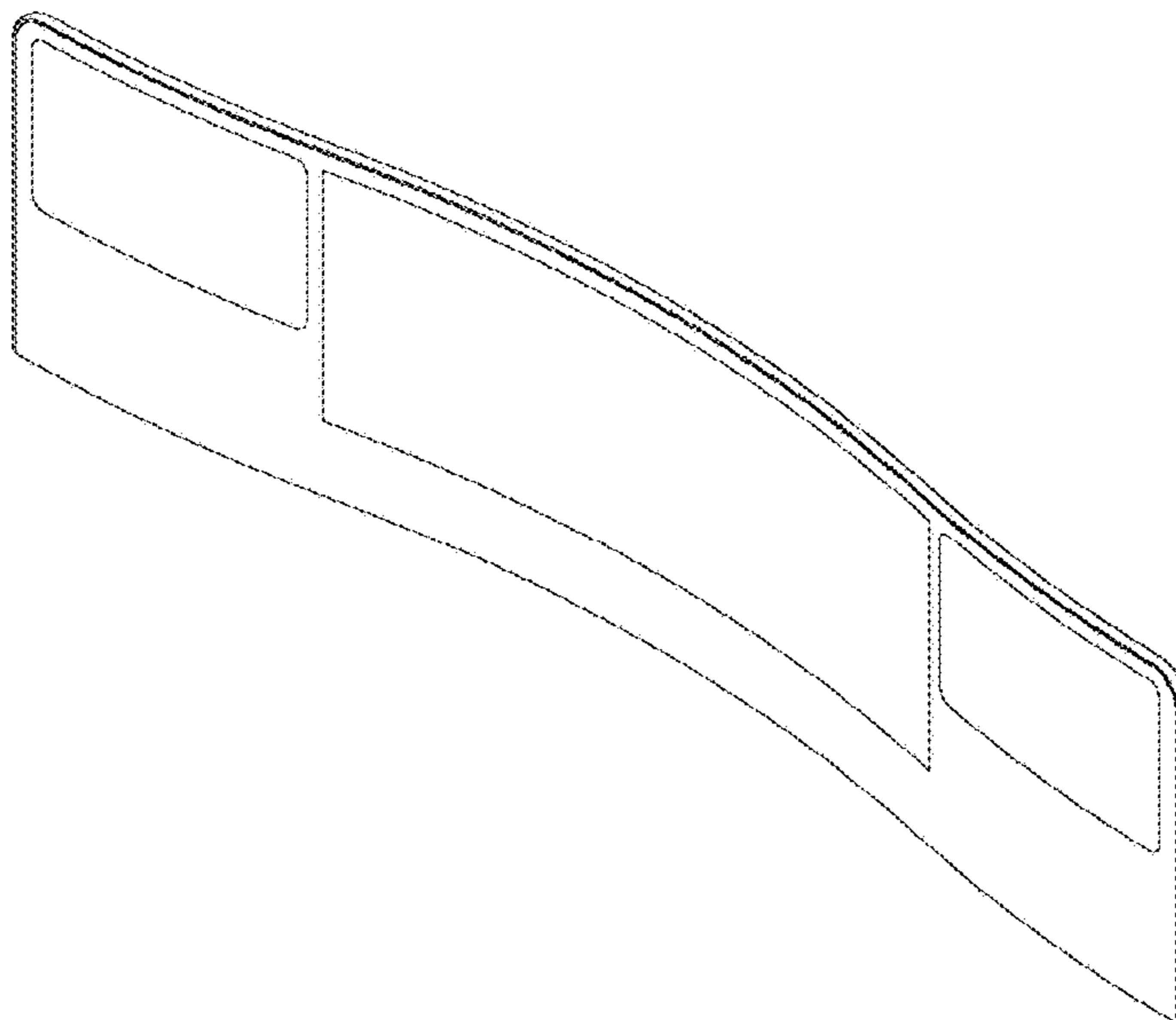


FIG. 2

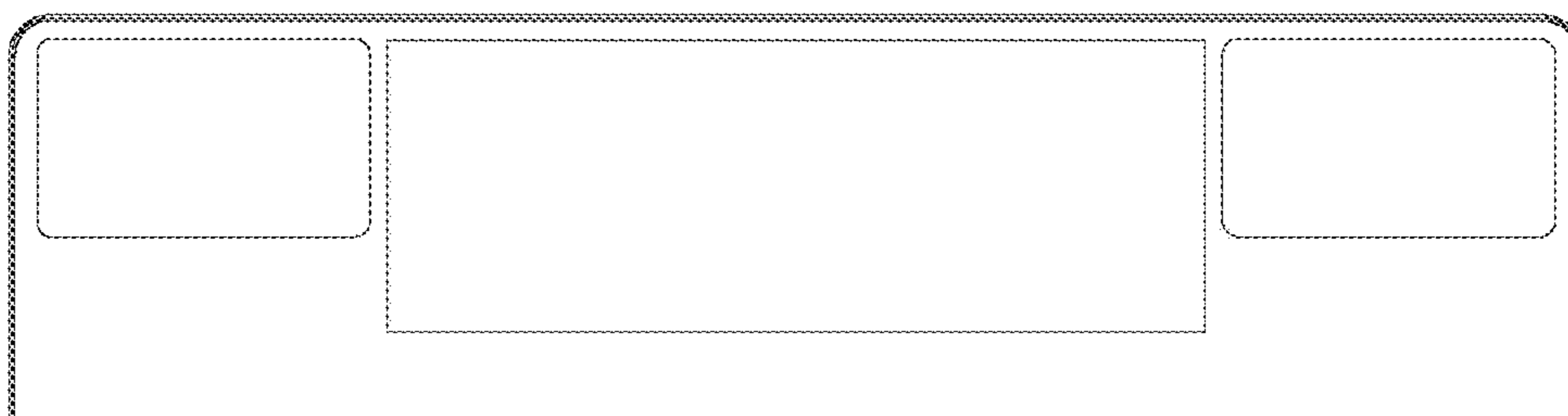


FIG. 3



FIG. 4

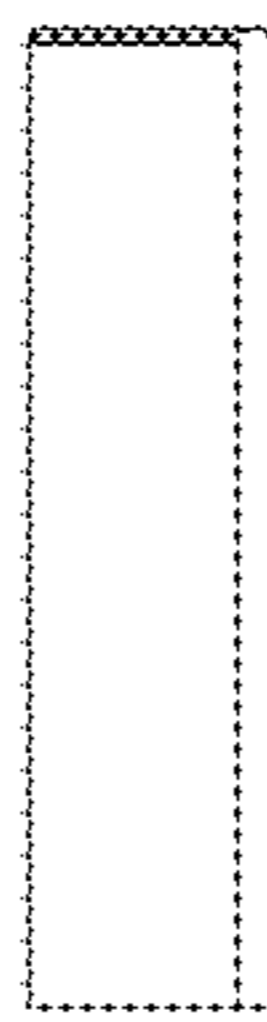


FIG. 5

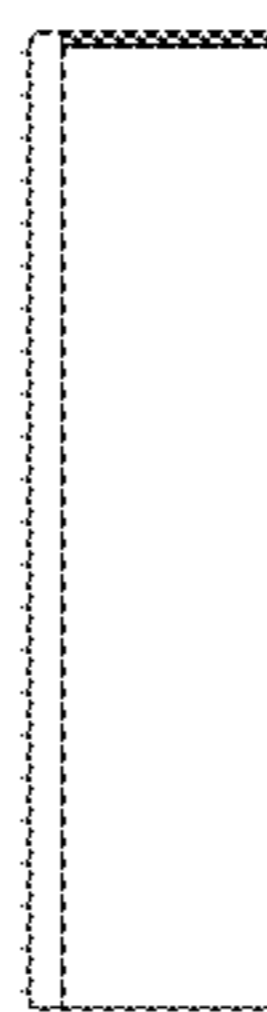


FIG. 6



FIG. 7

