



US00D863201S

(12) **United States Design Patent** (10) **Patent No.:** **US D863,201 S**
Adler et al. (45) **Date of Patent:** **** Oct. 15, 2019**

- (54) **KAYAK SADDLE** 7,810,686 B2 * 10/2010 Ilgenfritz B60R 9/08
224/310
- (71) Applicant: **Thule Sweden AB**, Hillerstorp (SE) D637,949 S 5/2011 Farber
- (72) Inventors: **Jan Adler**, Skillingaryd (SE); **Daniel Connors**, Southbury, CT (US) D665,725 S * 8/2012 Laverack D12/412
D665,726 S 8/2012 Eriksson
D684,105 S 6/2013 Foster
8,556,146 B2 10/2013 Sautter et al.
9,067,522 B2 6/2015 Laverack et al.
D739,990 S 9/2015 Sautter et al.
D781,614 S 3/2017 Taylor
- (73) Assignee: **Thule Sweden AB**, Hillerstorp (SE) D813,786 S * 3/2018 Adler D12/412
9,975,494 B2 * 5/2018 Connors B60R 9/048
D840,324 S * 2/2019 Adler D12/412
10,227,048 B2 * 3/2019 Connors B60R 9/048
2014/0144958 A1 * 5/2014 Sautter B60R 9/045
224/314
- (**) Term: **15 Years**
- (21) Appl. No.: **29/638,437**
- (22) Filed: **Feb. 27, 2018**

Related U.S. Application Data

- (63) Continuation of application No. 29/566,184, filed on May 27, 2016, now Pat. No. Des. 813,786.
- (51) **LOC (12) Cl.** **12-16**
- (52) **U.S. Cl.**
USPC **D12/412**
- (58) **Field of Classification Search**
USPC D12/412, 413, 414, 414.1, 406; D6/552;
D3/304, 306
CPC .. B60R 9/04; B60R 9/08; B60R 9/048; B60R
9/045
See application file for complete search history.

* cited by examiner

Primary Examiner — Susan E Krakower
Assistant Examiner — Jerry Shiuan-Hua Hsu
(74) *Attorney, Agent, or Firm* — Sterne, Kessler, Goldstein & Fox P.L.L.C.

(57) **CLAIM**

The ornamental design for a kayak saddle, as shown.

DESCRIPTION

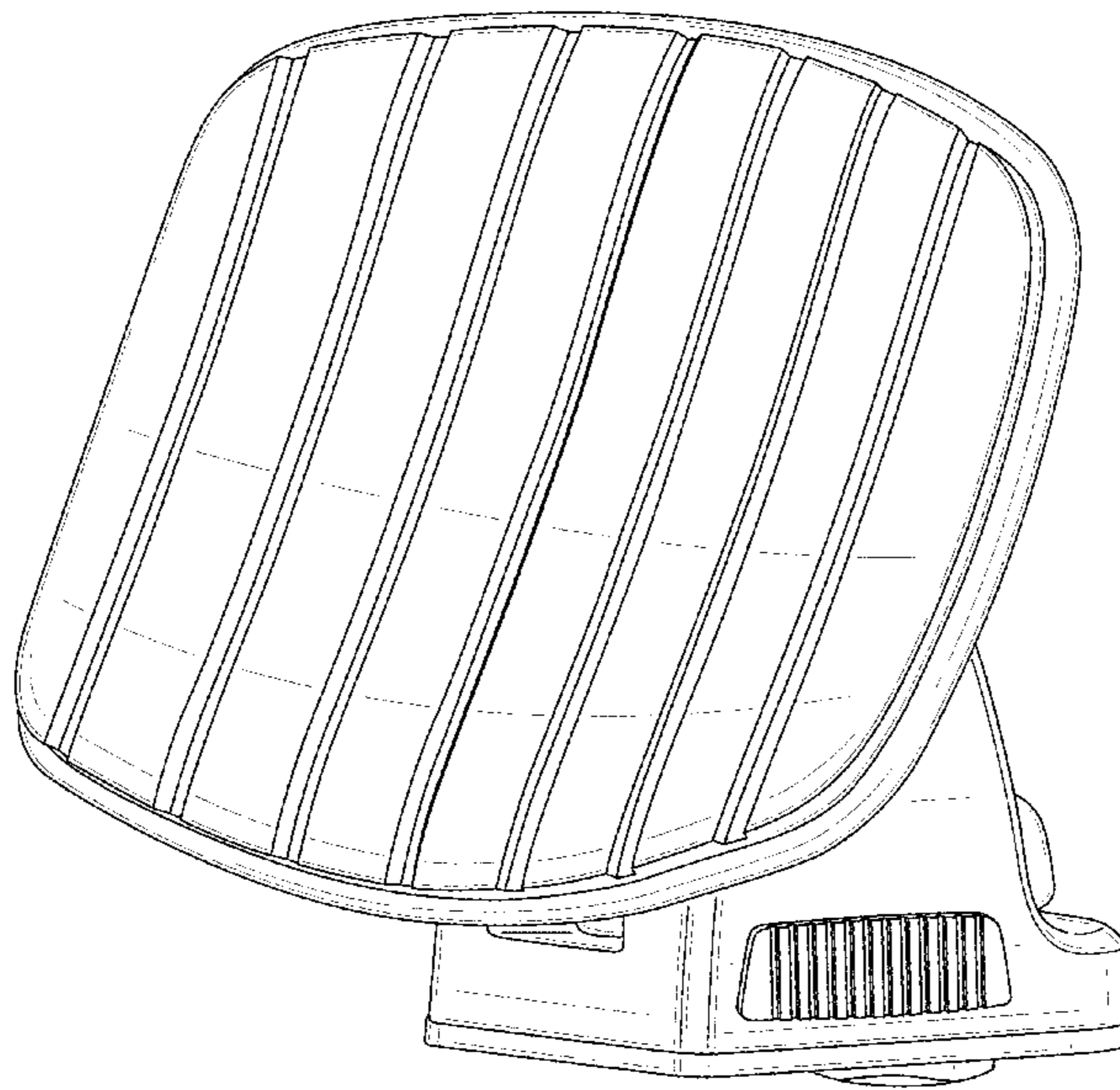
FIG. 1 is a perspective view of a kayak saddle showing the claimed design;
FIG. 2 is a rear view thereof;
FIG. 3 is a front view thereof;
FIG. 4 is a left side view thereof;
FIG. 5 is a right side view thereof;
FIG. 6 is a top view thereof; and,
FIG. 7 is a bottom view thereof.
The broken lines in the figures show portions of the kayak saddle that form no part of the claimed design.

(56) **References Cited**

U.S. PATENT DOCUMENTS

- 5,516,017 A 5/1996 Arvidsson
- D386,145 S 11/1997 Staller
- 5,951,231 A 9/1999 Allen
- 6,164,507 A 12/2000 Dean et al.
- D476,129 S 6/2003 Witt
- 7,131,561 B2 11/2006 Humes
- D605,577 S * 12/2009 Maguire D12/407
- D623,120 S 9/2010 Farber
- D623,584 S * 9/2010 Farber D12/412

1 Claim, 7 Drawing Sheets



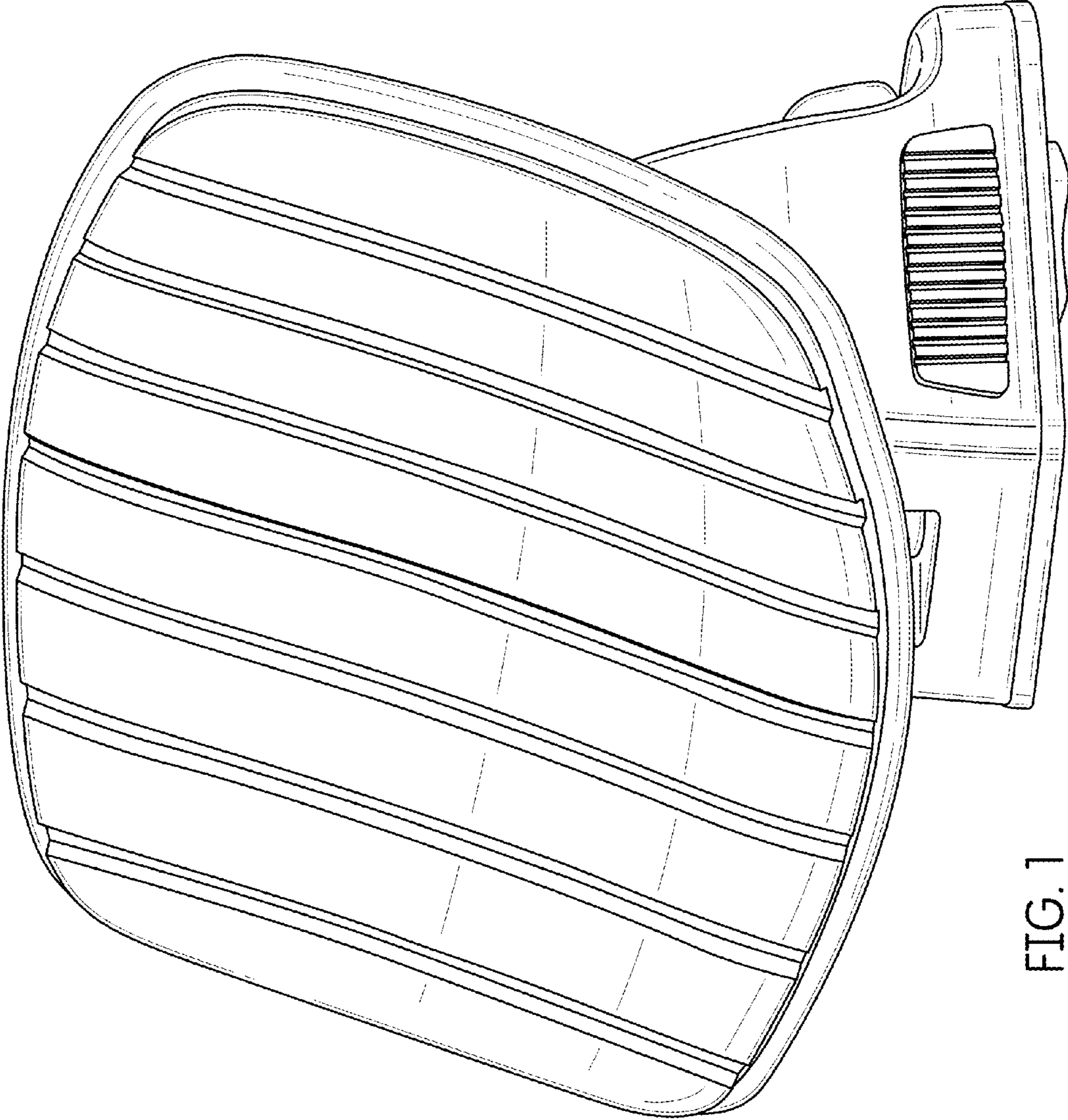


FIG. 1

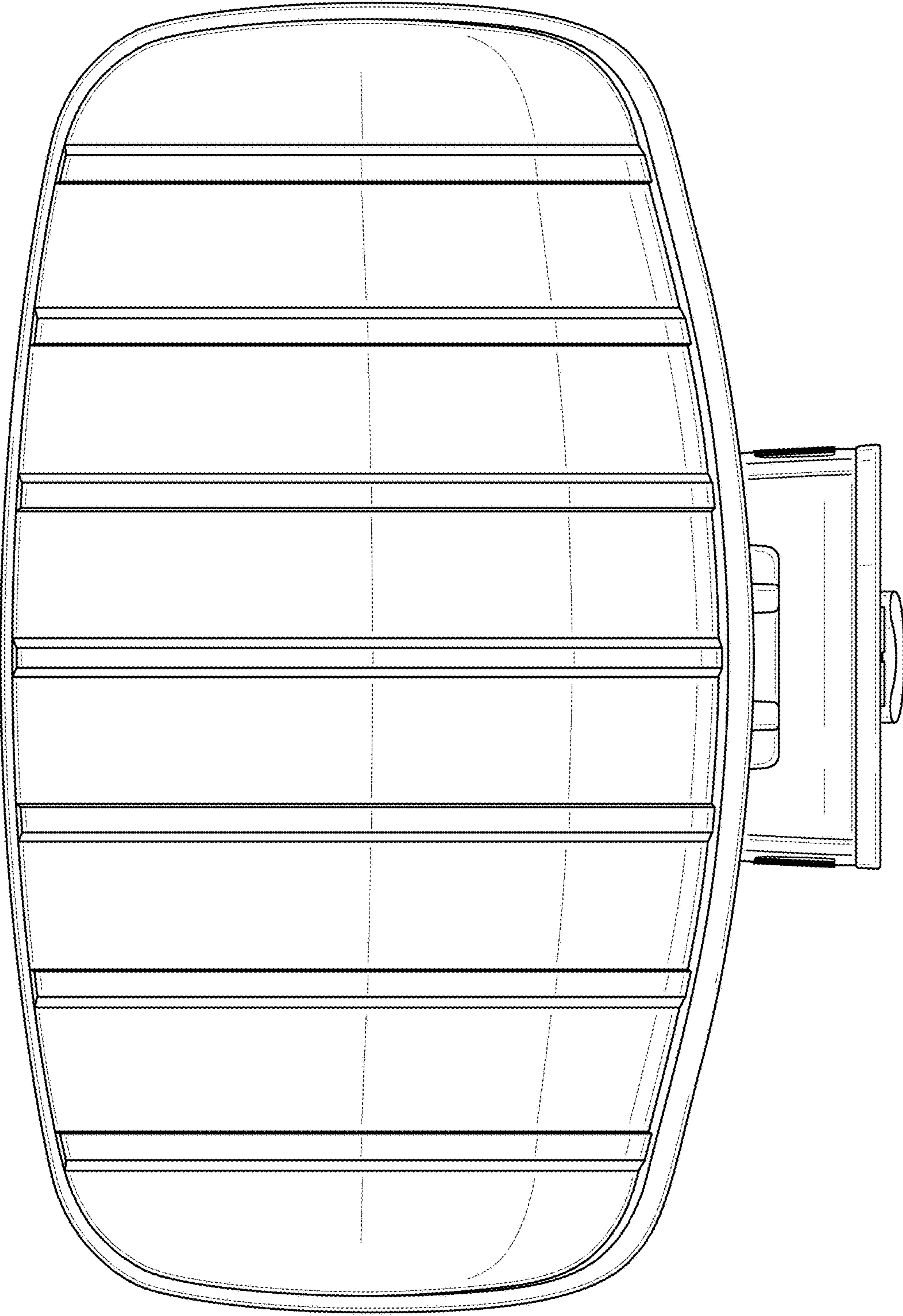


FIG. 2

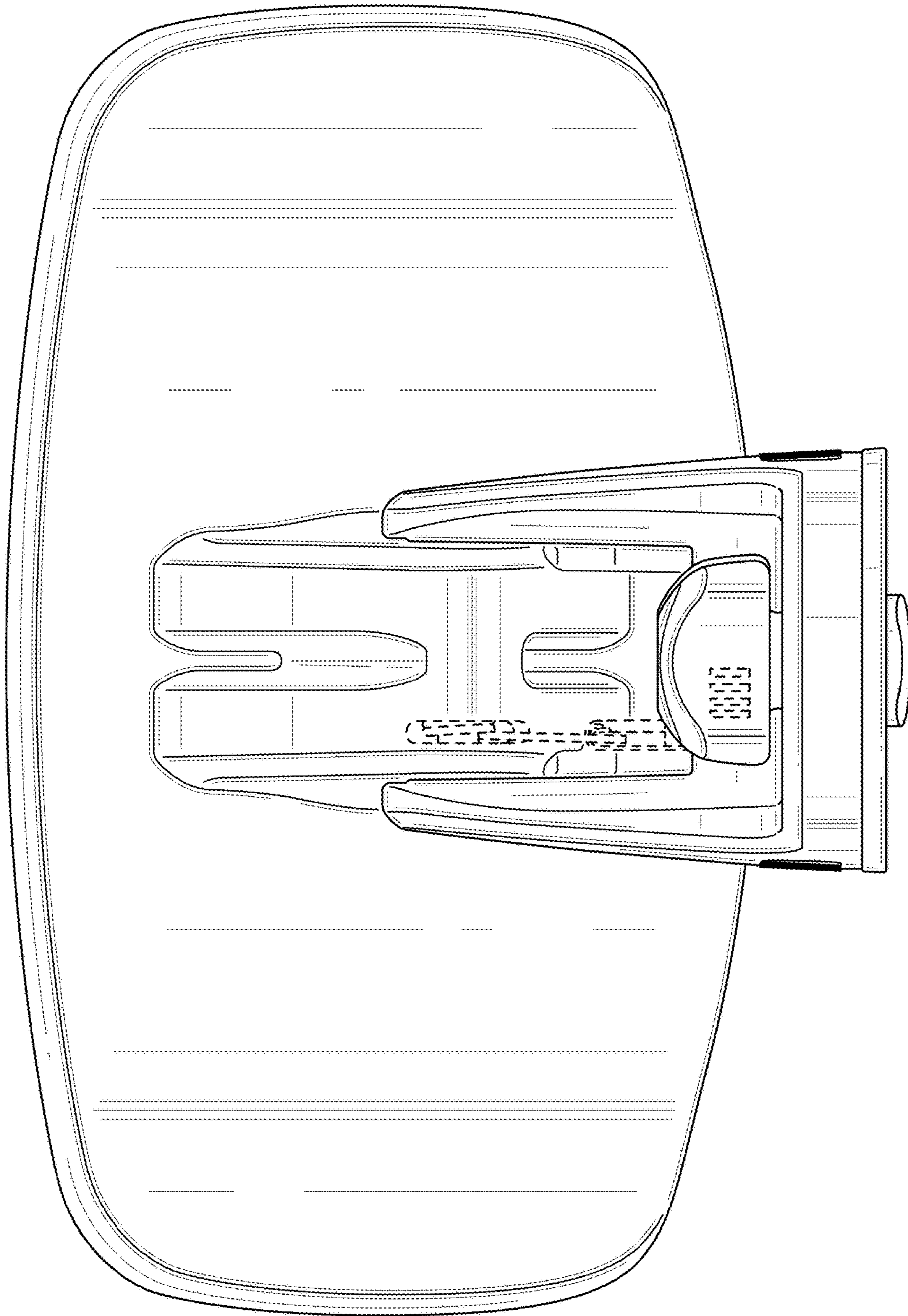


FIG. 3

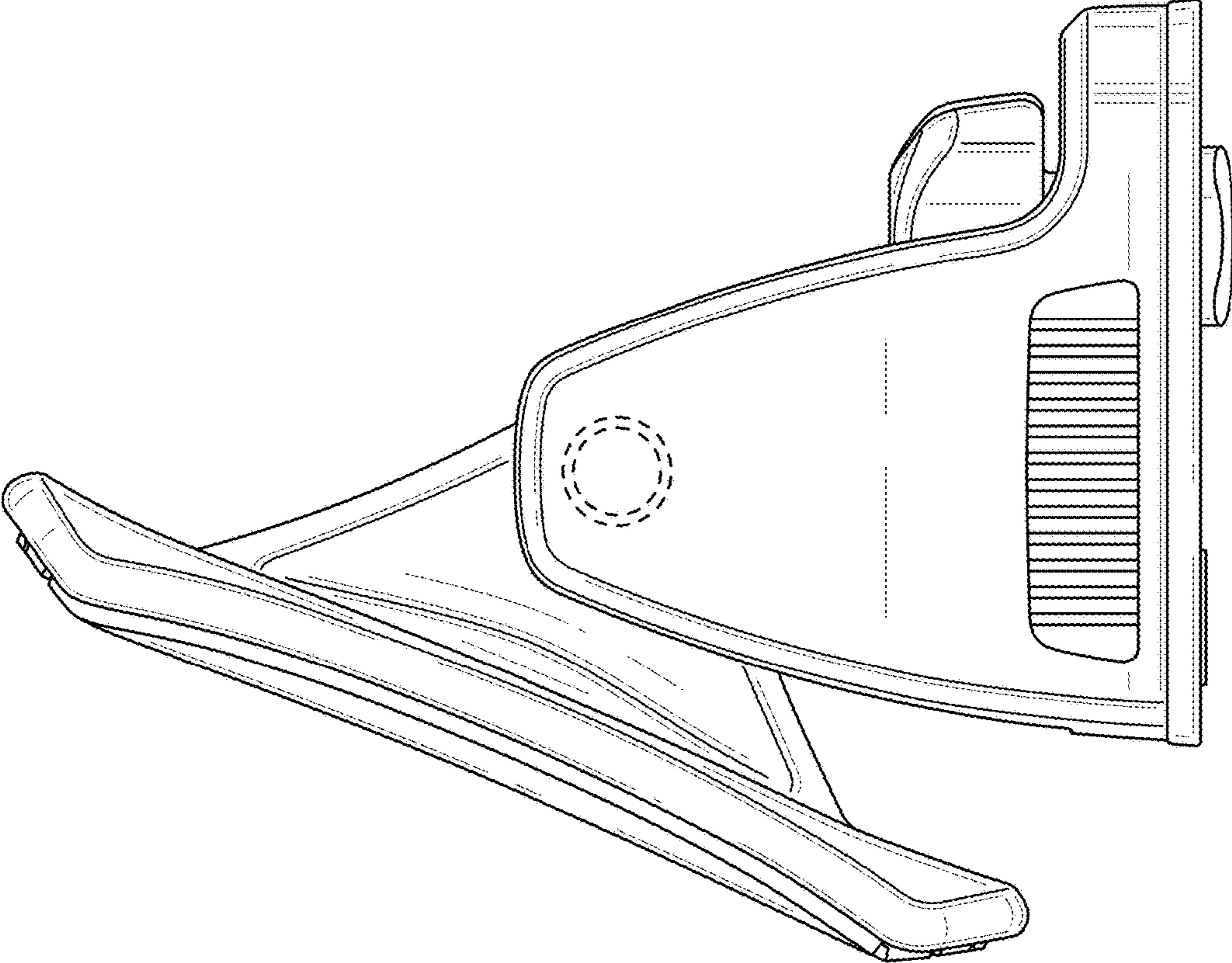


FIG. 4

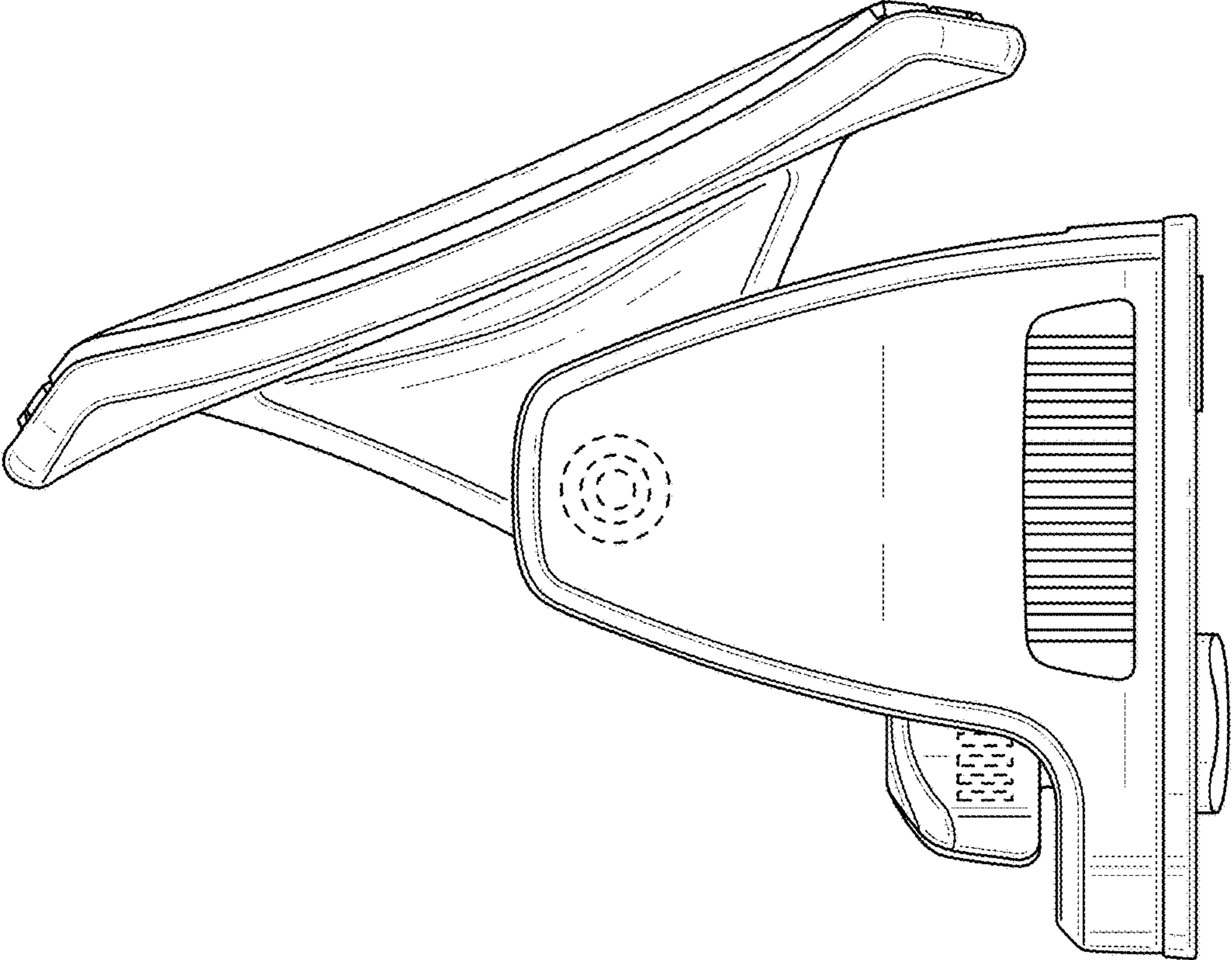


FIG. 5

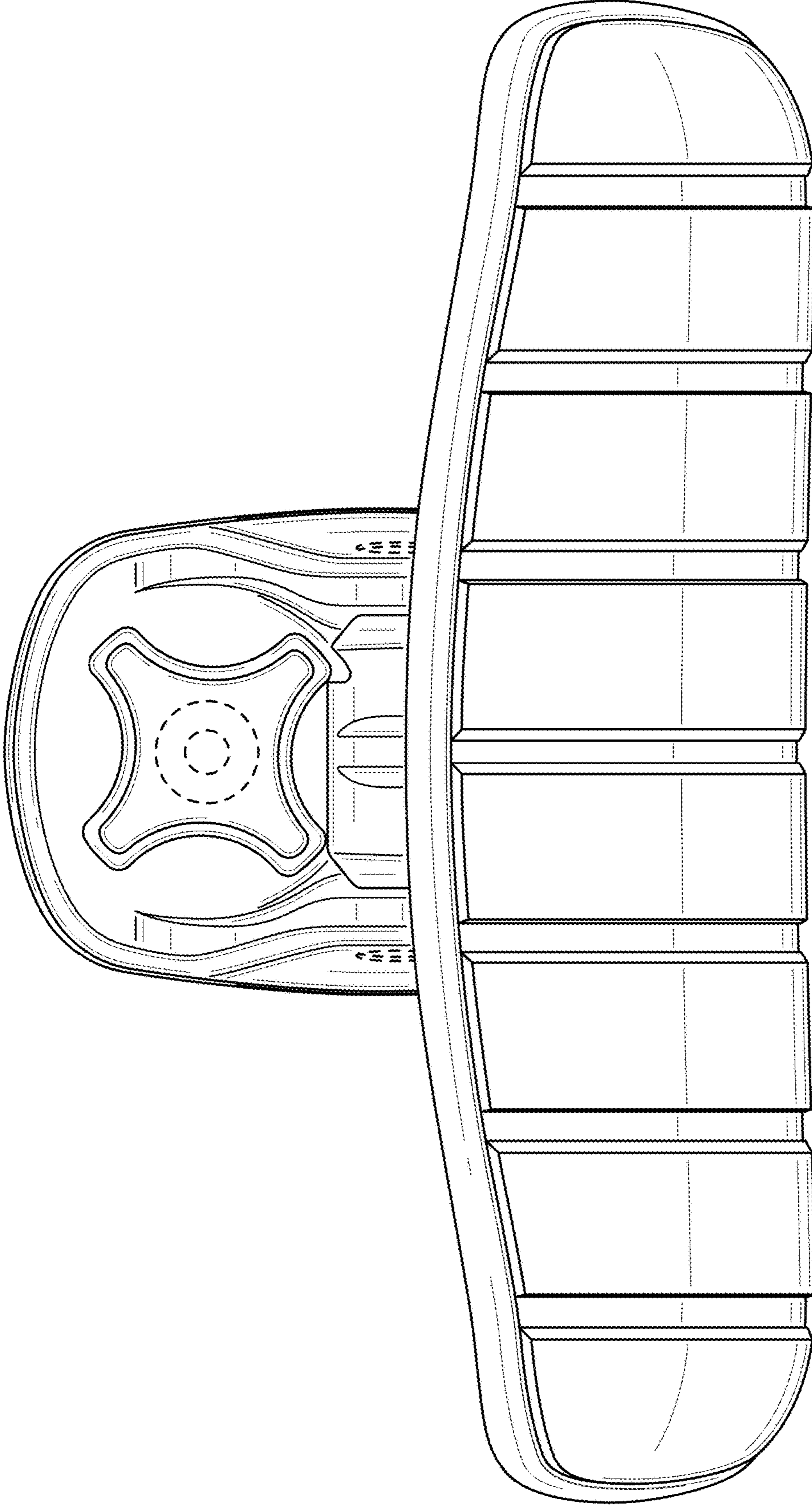


FIG. 6

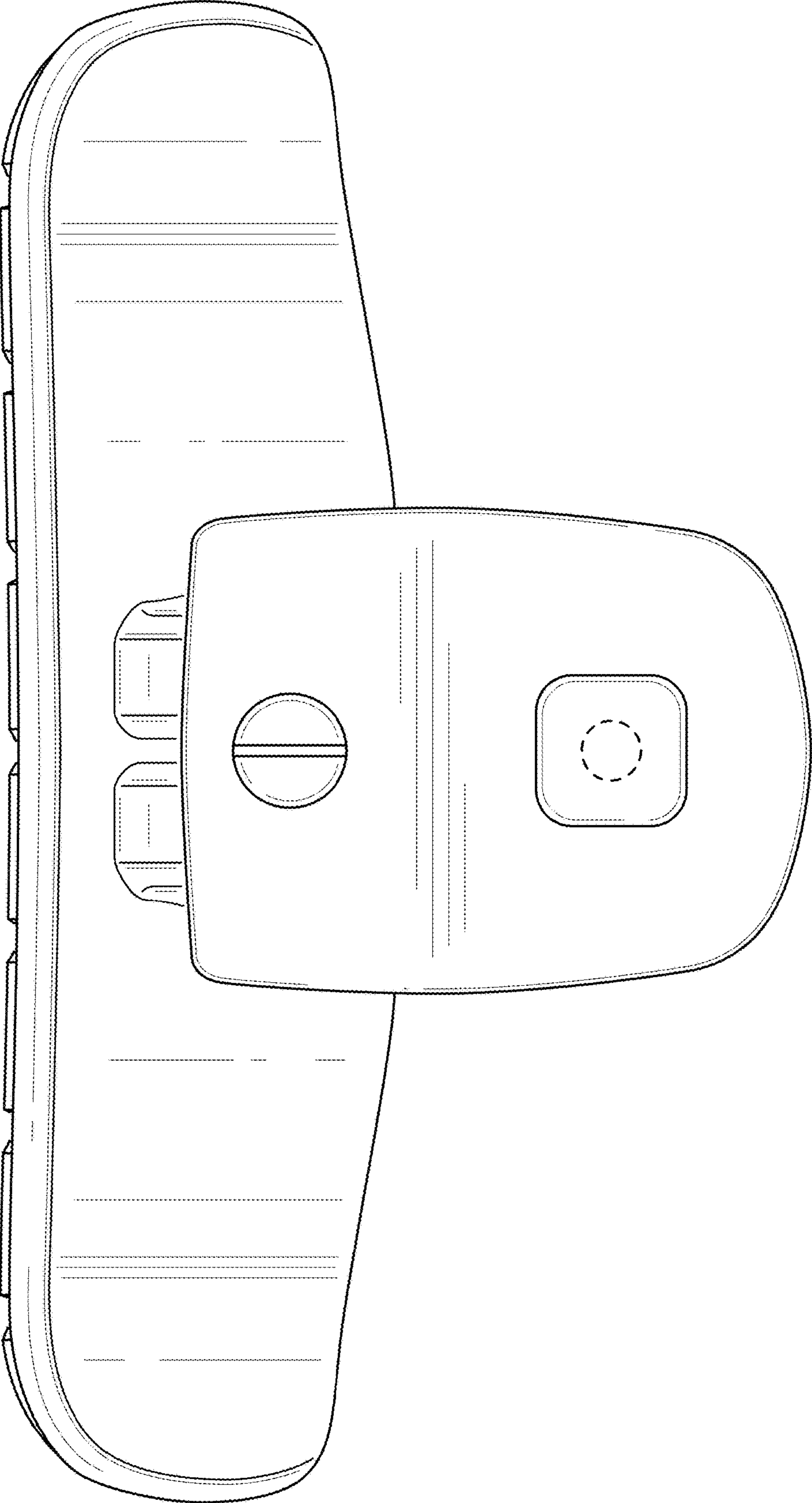


FIG. 7