



US00D863198S

(12) **United States Design Patent** (10) **Patent No.:** **US D863,198 S**
Gorby (45) **Date of Patent:** **** Oct. 15, 2019**

(54) **BICYCLE BALL CARRIER**
(71) Applicant: **Chad D Gorby**, Salida, CO (US)
(72) Inventor: **Chad D Gorby**, Salida, CO (US)
(**) Term: **15 Years**
(21) Appl. No.: **29/633,852**
(22) Filed: **Jan. 16, 2018**
(51) **LOC (12) Cl.** **12-11**
(52) **U.S. Cl.**
USPC **D12/407**
(58) **Field of Classification Search**
USPC D12/407, 408, 406, 420, 114, 115, 411,
D12/117, 119; D26/60, 61, 62; D8/370;
D6/403
CPC B62J 7/00; B62J 7/04; B62J 7/06; B62J
11/00
See application file for complete search history.

(56) **References Cited**

U.S. PATENT DOCUMENTS

2,074,180 A * 3/1937 Hatley A63B 47/001
224/248
2,689,909 A * 9/1954 Dazley F21V 21/30
248/229.1
4,069,956 A * 1/1978 Shearer, Sr. B62J 11/00
224/427
4,244,497 A * 1/1981 Lee B62J 7/06
224/420
D260,234 S * 8/1981 Johnson, Jr. D8/370
D269,472 S * 6/1983 Avis D12/420
D303,579 S * 9/1989 Palumbo D26/61
D342,221 S * 12/1993 De Silva D12/114
D343,816 S * 2/1994 De Silva D12/114
D368,695 S * 4/1996 De Silva D12/407

D391,218 S * 2/1998 Pingel D12/114
D397,189 S * 8/1998 Pierret D12/408
D428,848 S * 8/2000 Wurst D12/223
D430,532 S * 9/2000 Frazier D12/407
D490,043 S * 5/2004 Kettler D12/407
D565,321 S * 4/2008 Voogt D6/403
D585,265 S * 1/2009 Meyers D8/370
D585,266 S * 1/2009 Meyers D8/370
D589,873 S * 4/2009 Banks D12/411
D641,567 S * 7/2011 Bugio D11/148
D680,252 S * 4/2013 Du D26/28
D715,856 S * 10/2014 Lozano D19/34.1
D718,120 S * 11/2014 Sweeney D8/370
D782,388 S * 3/2017 Battigello D12/407
D790,871 S * 7/2017 Rivera D6/403
2016/0031508 A1 * 2/2016 Battigello B62J 7/04
248/229.1

* cited by examiner

Primary Examiner — Michelle E. Wilson
Assistant Examiner — Clese Moore, Jr.

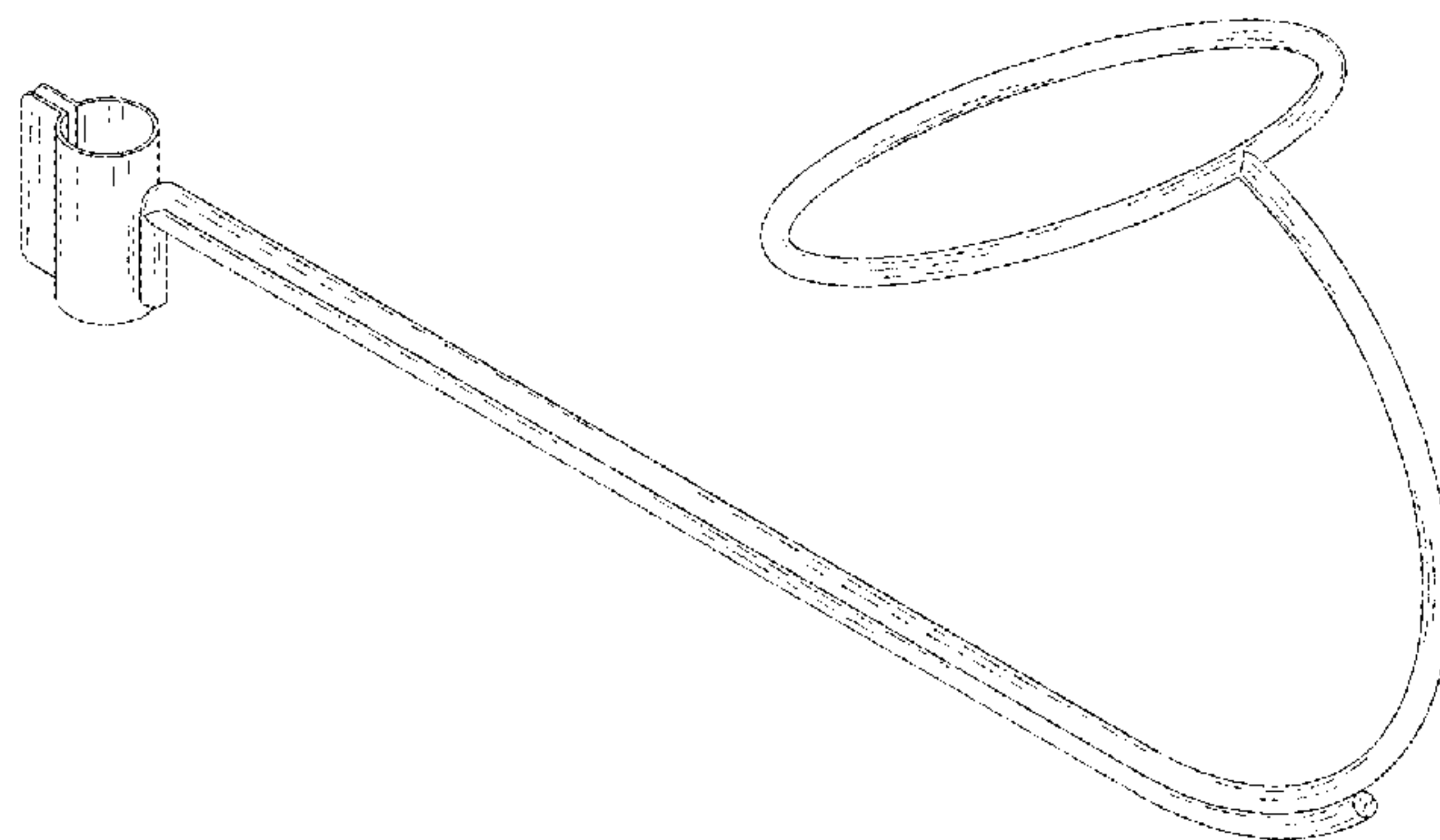
(57) **CLAIM**

The ornamental design for a bicycle ball carrier, as shown and described.

DESCRIPTION

FIG. 1 is a top right perspective view of a bicycle ball carrier showing our new design;
FIG. 2 is a top left perspective view thereof;
FIG. 3 is a bottom left perspective view thereof;
FIG. 4 is a front view thereof;
FIG. 5 is a back view thereof;
FIG. 6 is a top view thereof;
FIG. 7 is a bottom view thereof;
FIG. 8 is a left view thereof; and,
FIG. 9 is a right view thereof.

1 Claim, 9 Drawing Sheets



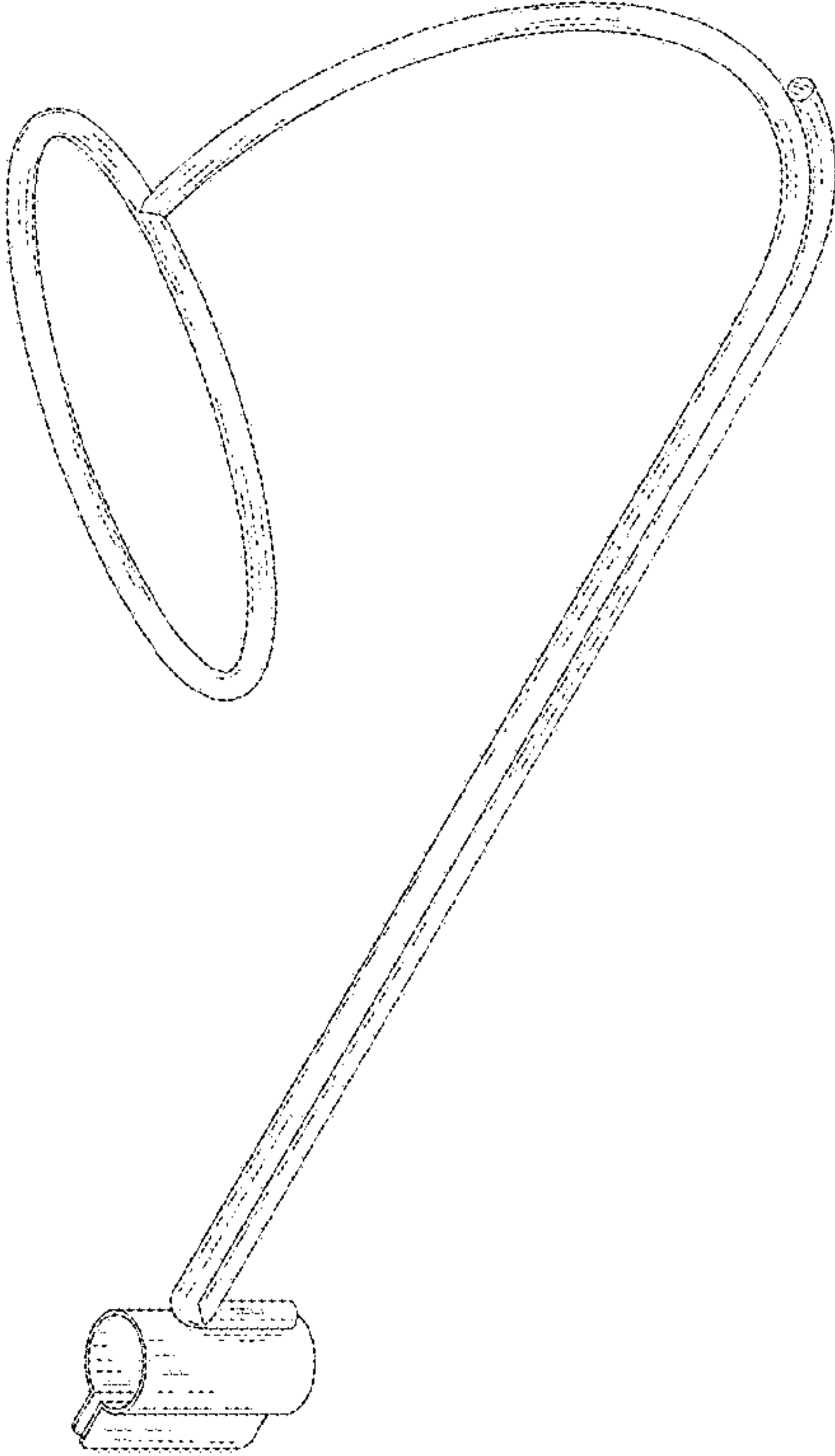


FIG. 1

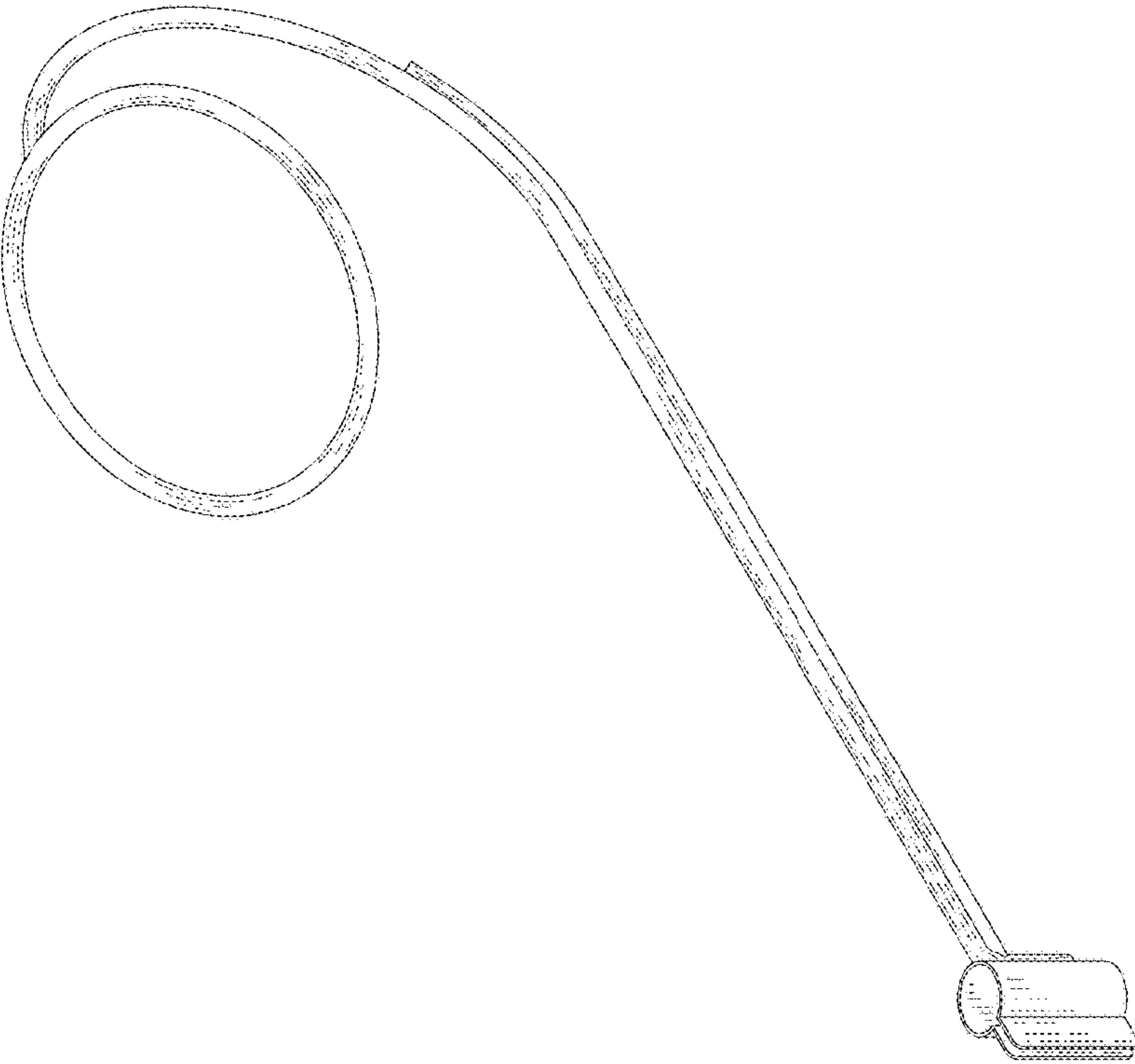


FIG. 2

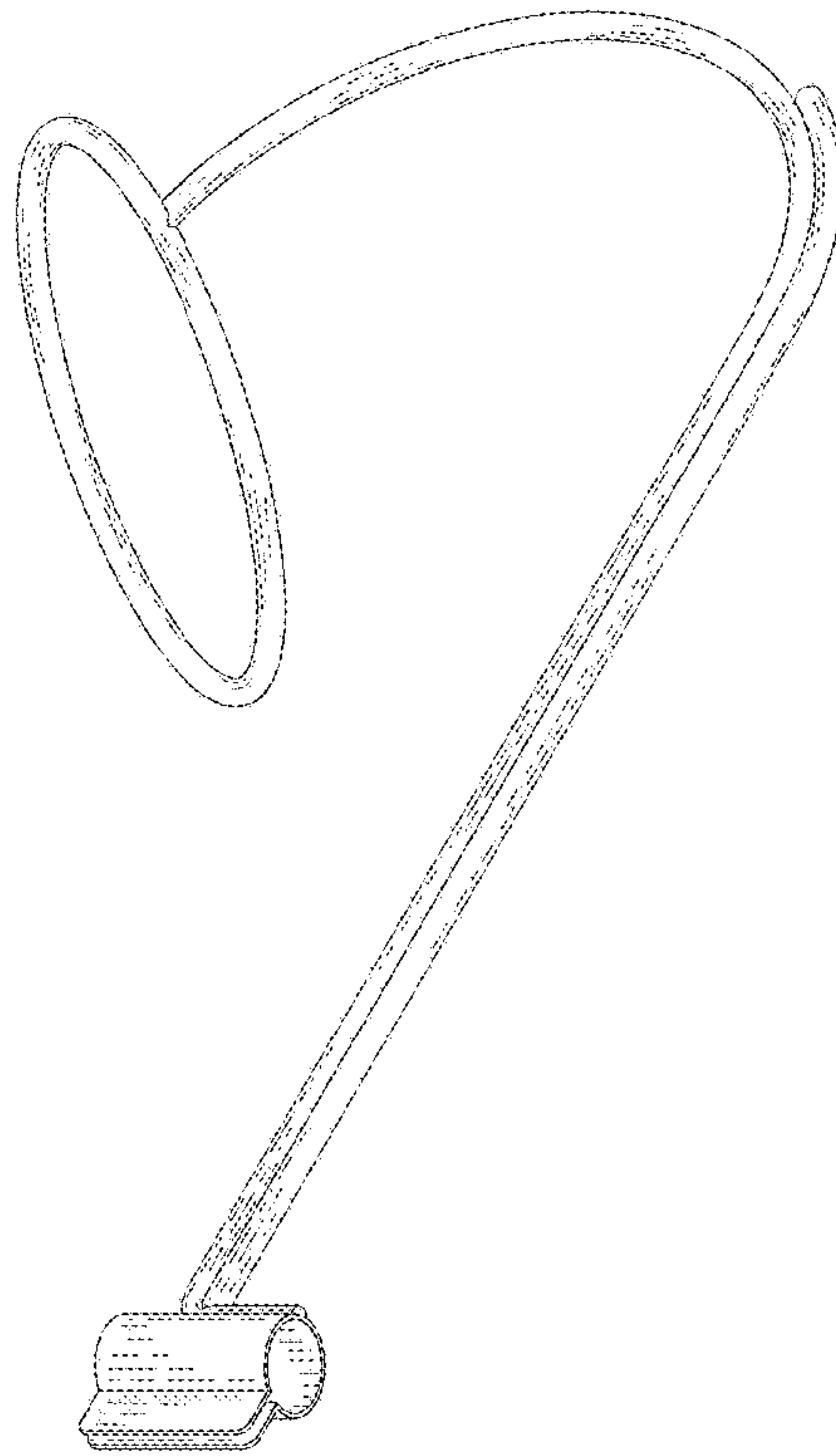


FIG. 3

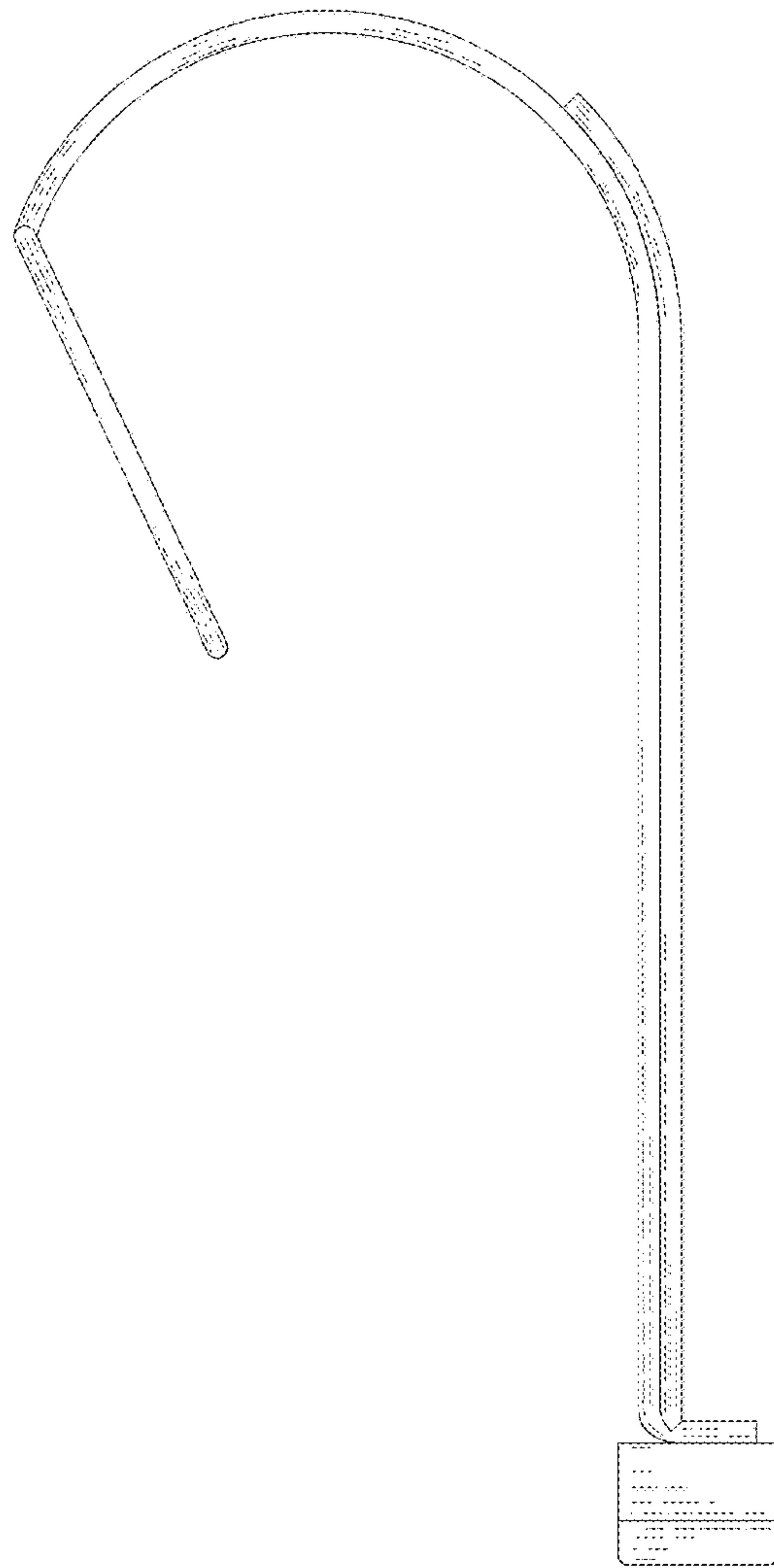


FIG. 4

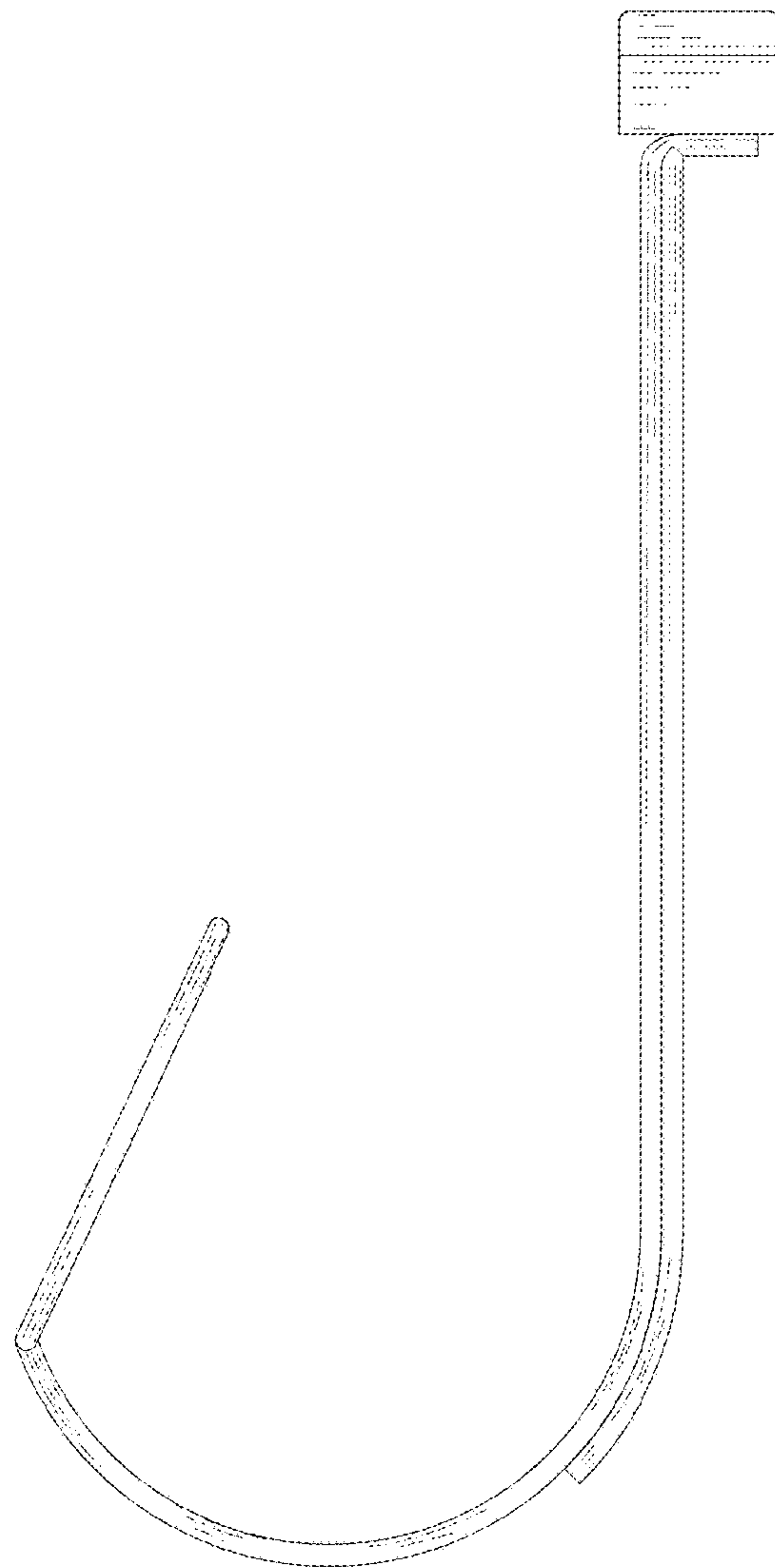


FIG. 5

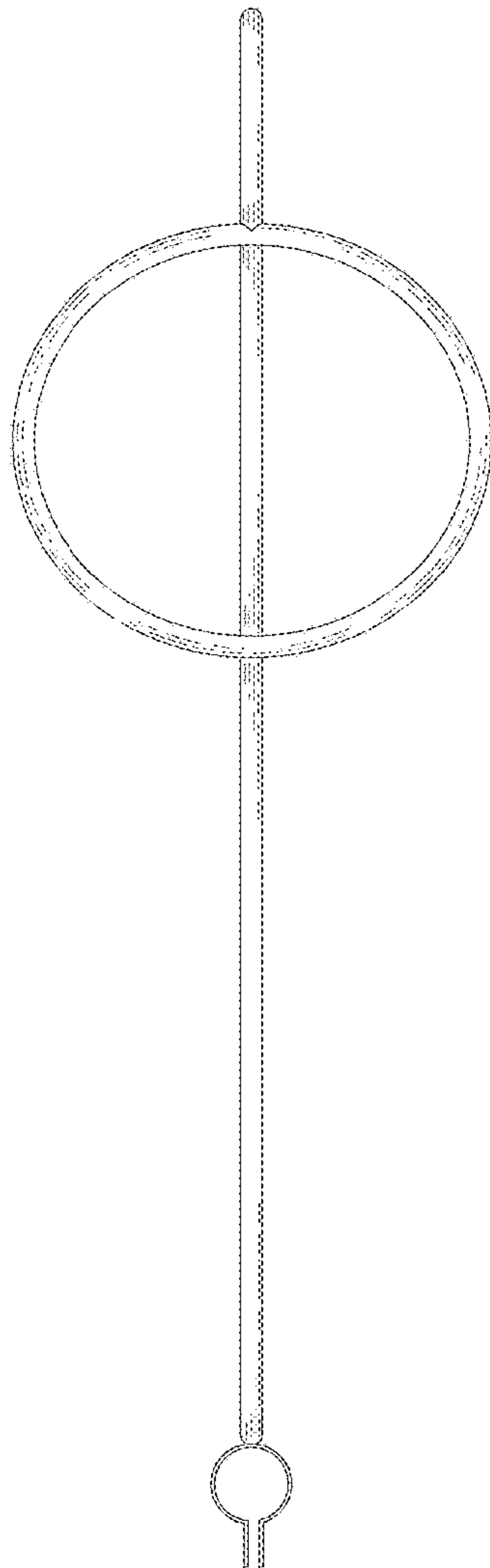


FIG. 6

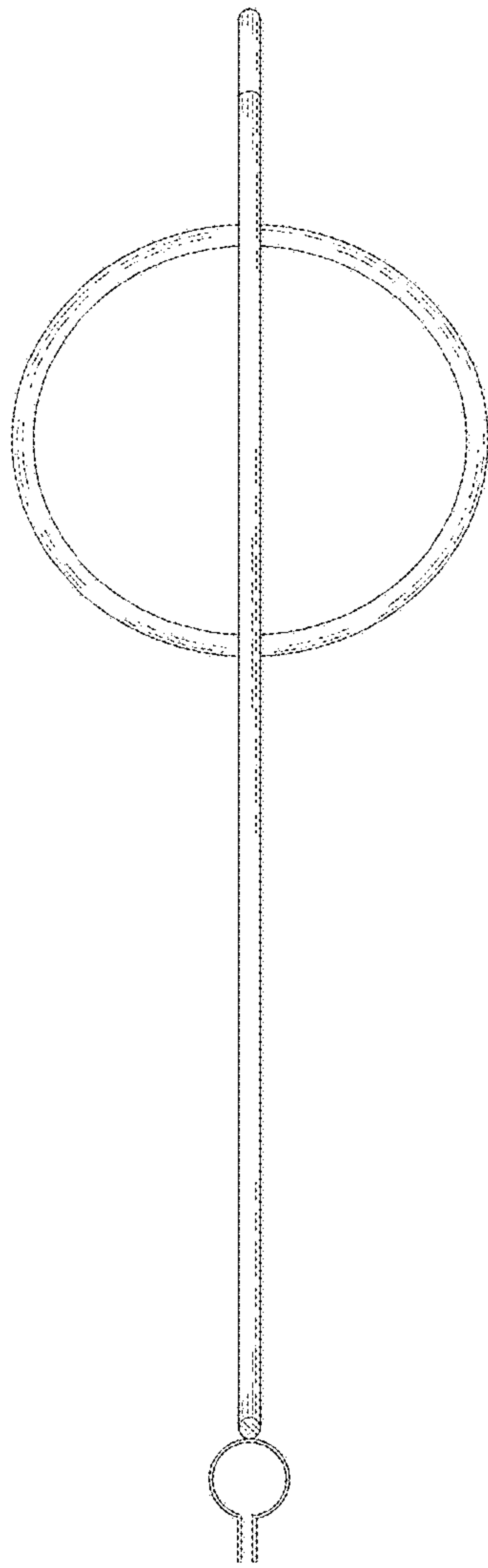


FIG. 7

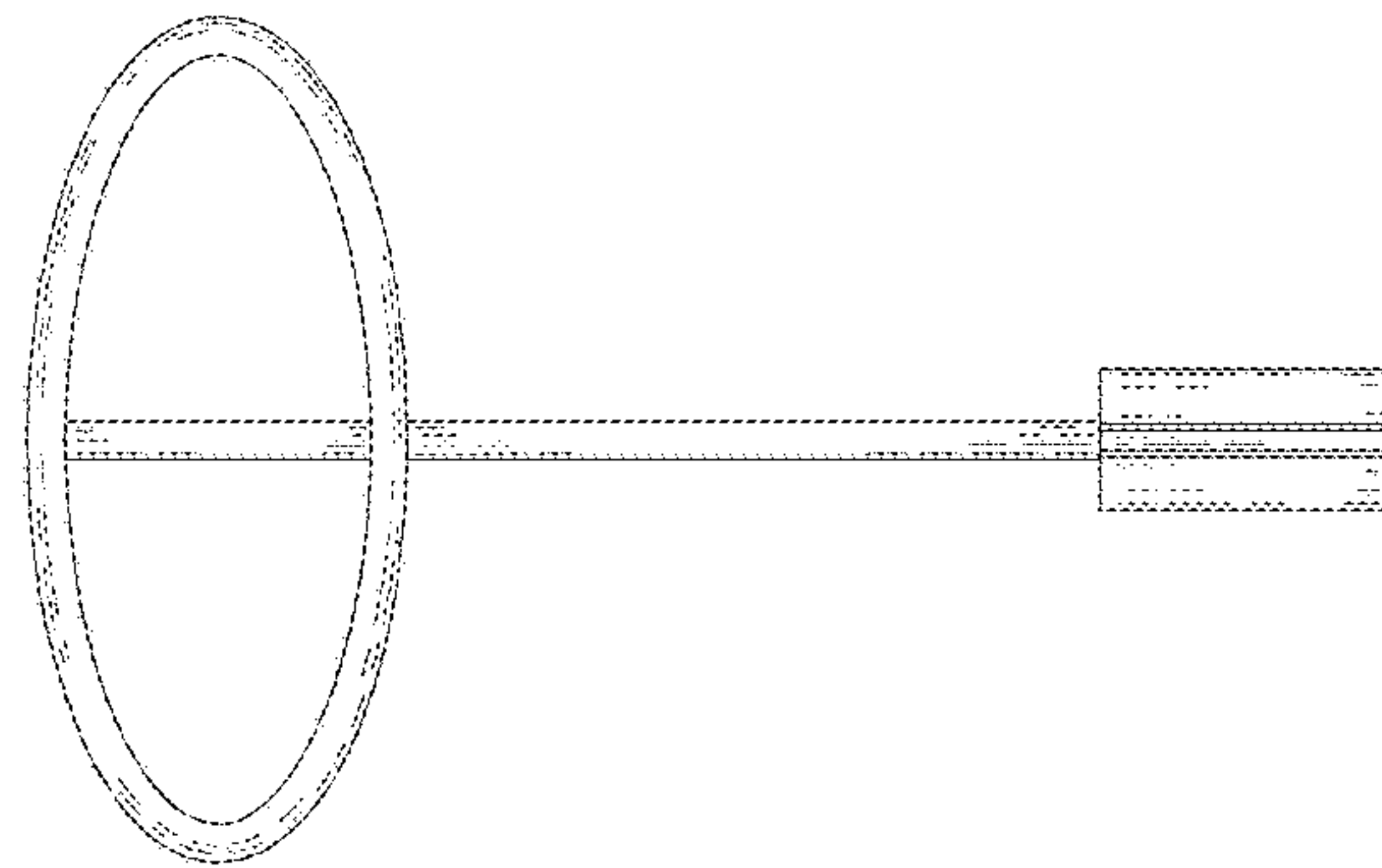


FIG. 8

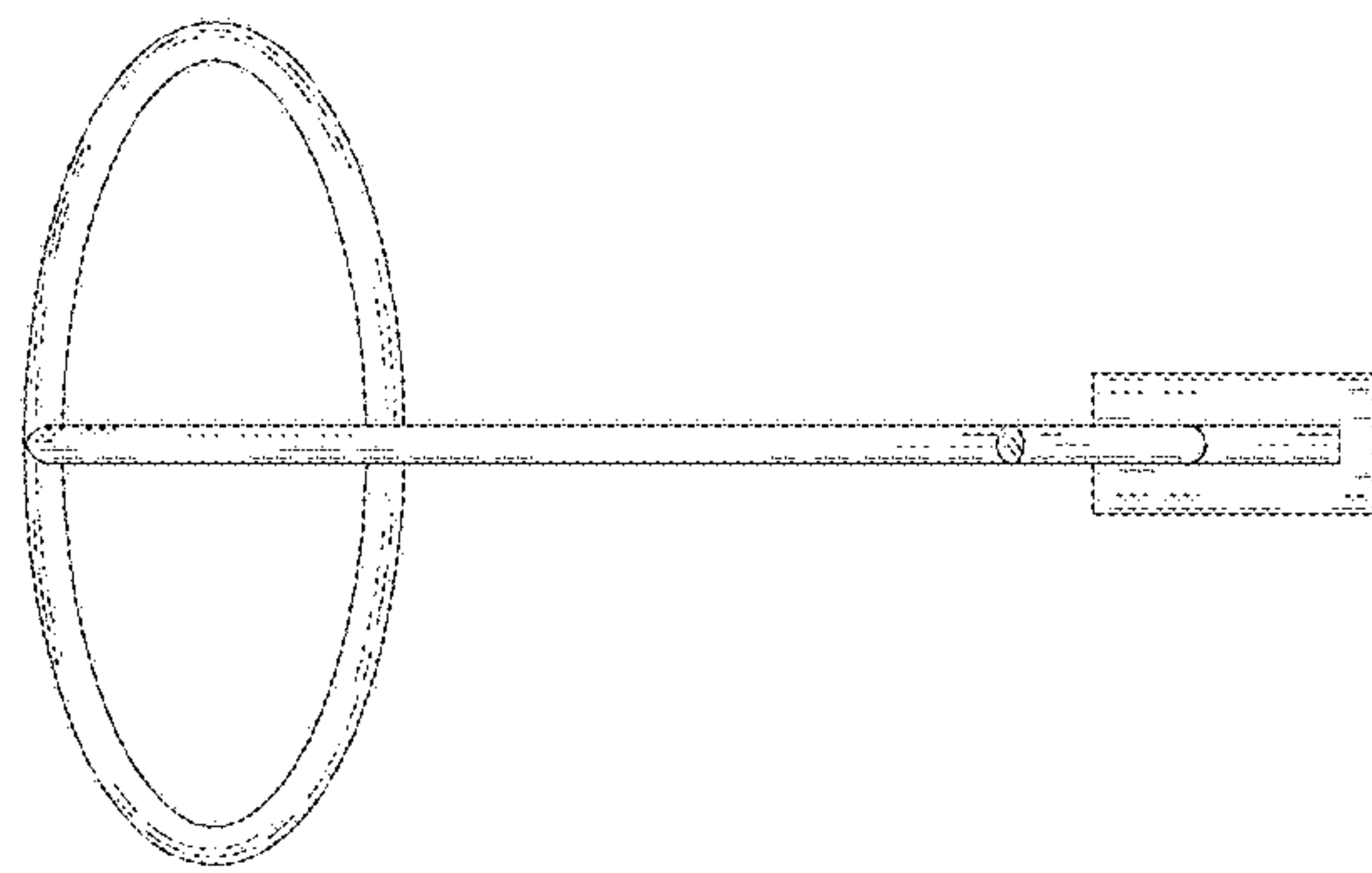


FIG. 9