



US00D863197S

(12) **United States Design Patent**
Gordon

(10) **Patent No.:** **US D863,197 S**
(45) **Date of Patent:** **** Oct. 15, 2019**

- (54) **VENTED ROOF PANEL**
- (71) Applicant: **Robby Gordon**, Charlotte, NC (US)
- (72) Inventor: **Robby Gordon**, Charlotte, NC (US)
- (**) Term: **15 Years**
- (21) Appl. No.: **29/668,365**
- (22) Filed: **Oct. 30, 2018**
- (51) **LOC (12) Cl.** **12-16**
- (52) **U.S. Cl.**
USPC **D12/401**
- (58) **Field of Classification Search**
USPC D12/401-405; D6/611, 596, 601-603,
D6/615, 617, 621; D7/332, 334-337
CPC B60J 11/08; B60J 11/06; A47C 31/10
See application file for complete search history.

- D805,460 S * 12/2017 Printup, III D12/401
- D813,783 S * 3/2018 Dowdey D12/404
- D826,135 S * 8/2018 Zhu D12/401
- D847,079 S * 4/2019 Nightingale D12/401
- D852,725 S * 7/2019 Feng D12/401

* cited by examiner

Primary Examiner — Katrina A Betton
(74) *Attorney, Agent, or Firm* — Rutan & Tucker LLP;
Hani Z. Sayed

(56) **References Cited**

U.S. PATENT DOCUMENTS

- D489,673 S * 5/2004 Block D12/404
- D615,477 S * 5/2010 Leone D12/404
- D623,583 S * 9/2010 Girardi D12/404
- D748,564 S * 2/2016 Frascella D12/404
- D775,056 S * 12/2016 Wheel D12/404
- D785,542 S * 5/2017 Patel D12/404
- D793,328 S * 8/2017 Bridges D12/317
- D793,945 S * 8/2017 Short D12/404

(57) **CLAIM**

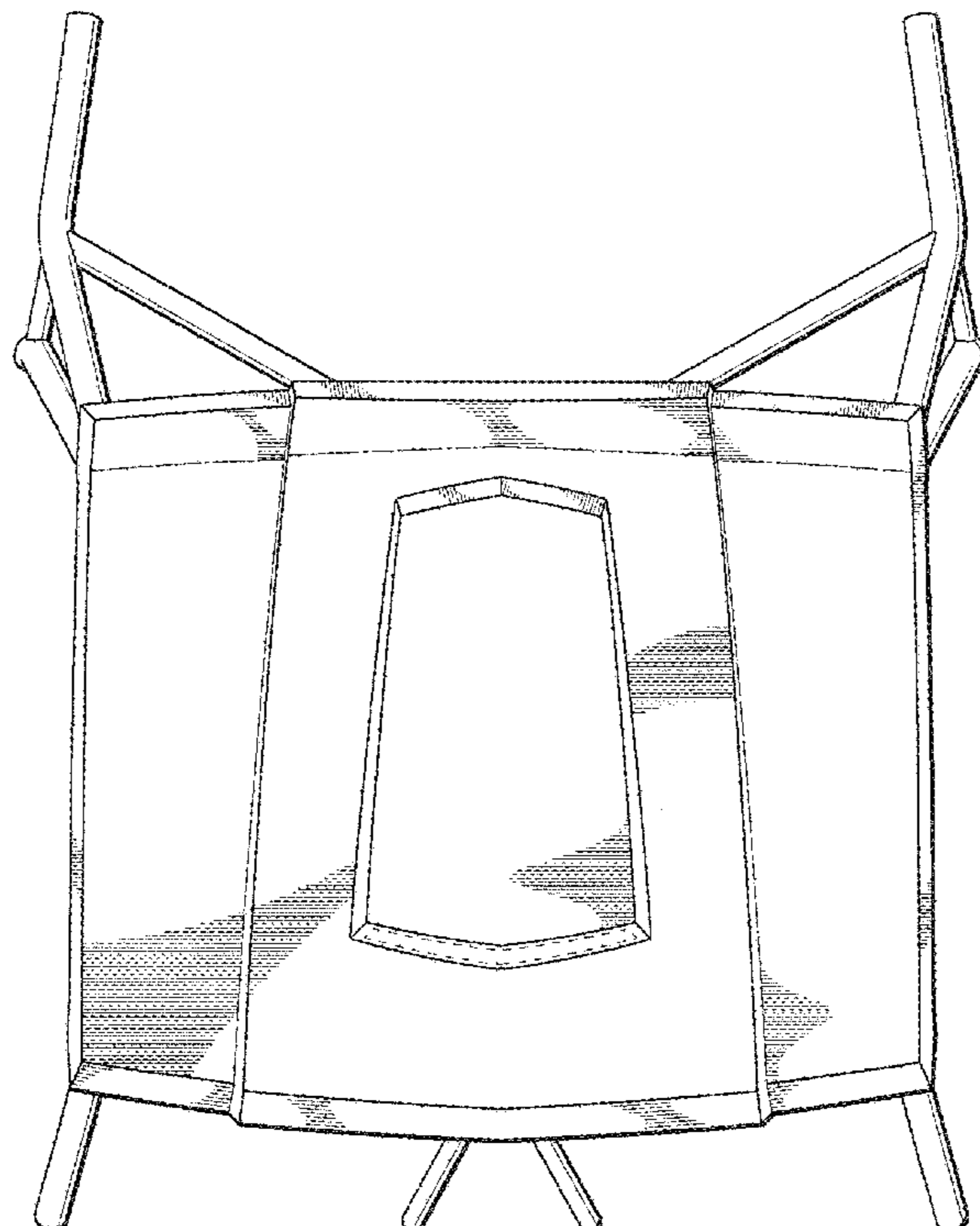
The ornamental design for vented roof panel, as shown and described.

DESCRIPTION

- FIG. 1—Top, Front, left side perspective view of the vented roof panel;
- FIG. 2—Top, rear, left side perspective view;
- FIG. 3—Front elevation view;
- FIG. 4—Rear elevation view;
- FIG. 5—Left side elevation view, with the right side elevation view being a mirror image; and,
- FIG. 6—Top plan view.

In the drawings, the broken lines depict portions of the article that form no part of the claimed design.

1 Claim, 5 Drawing Sheets



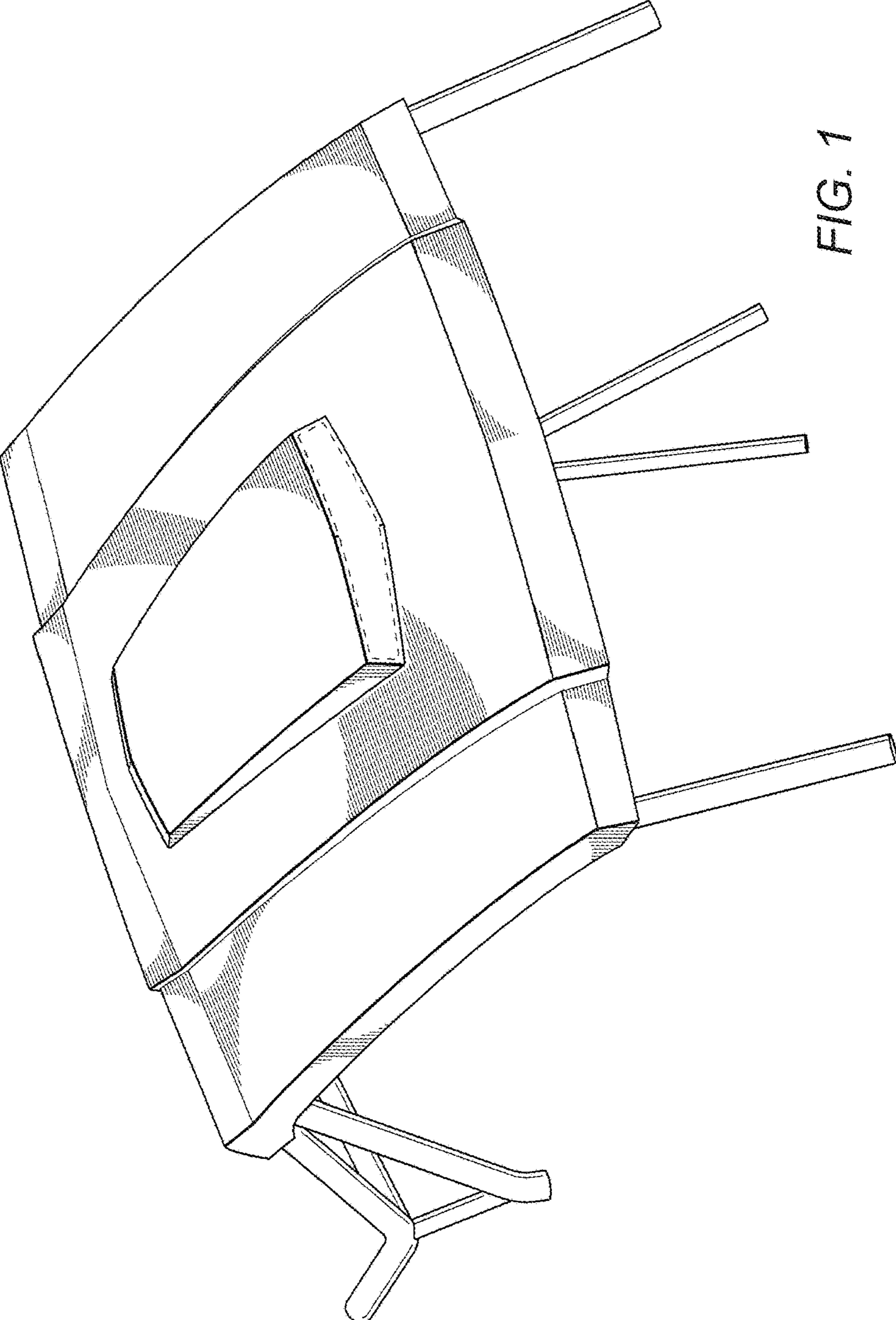


FIG. 1

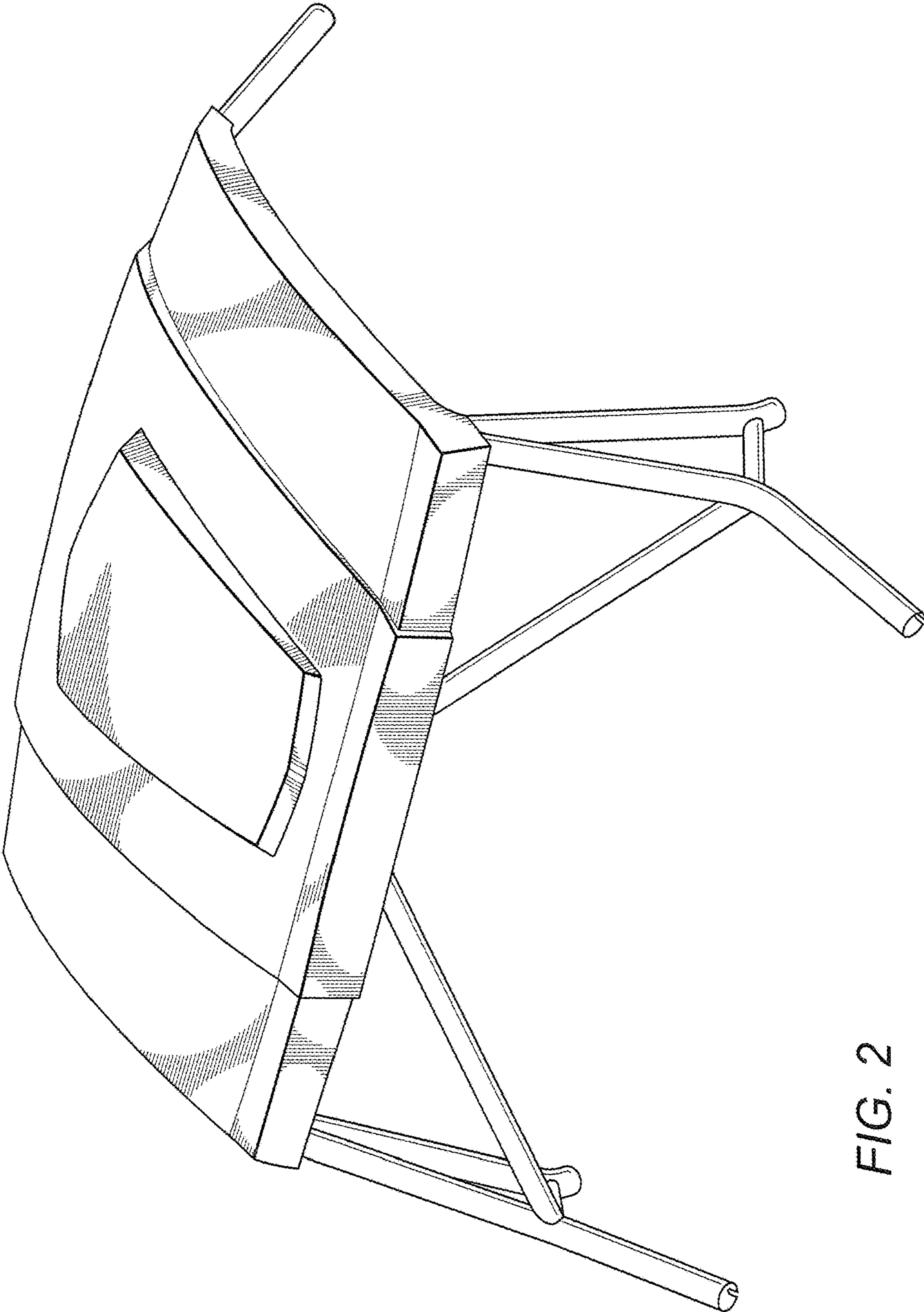


FIG. 2

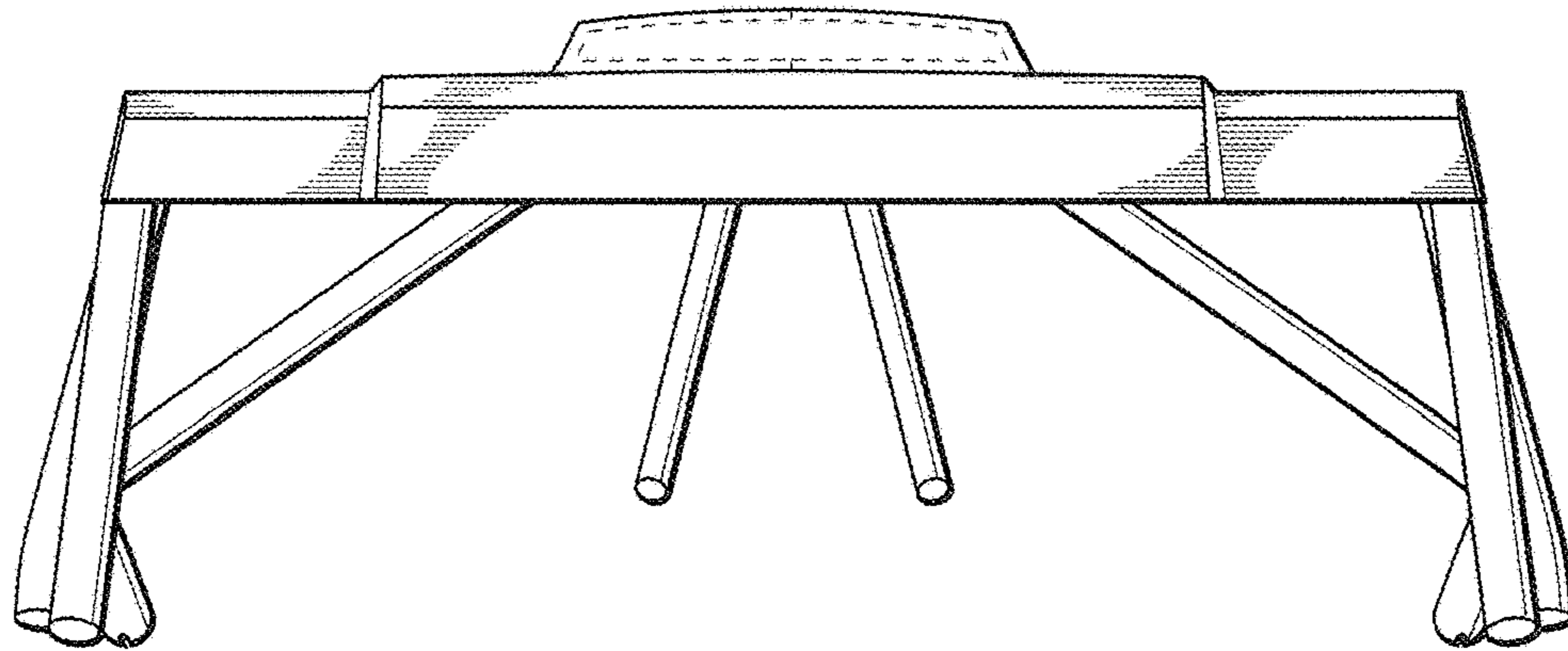


FIG. 3

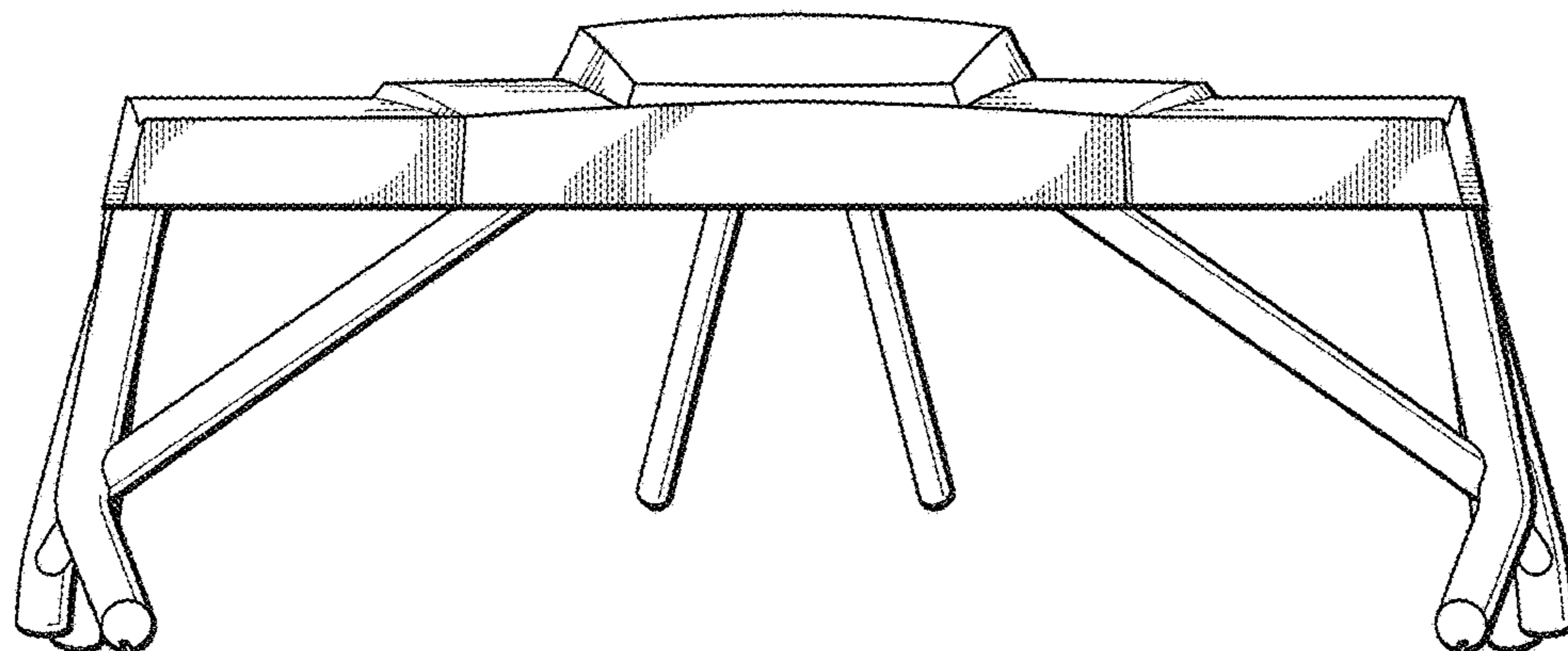


FIG. 4

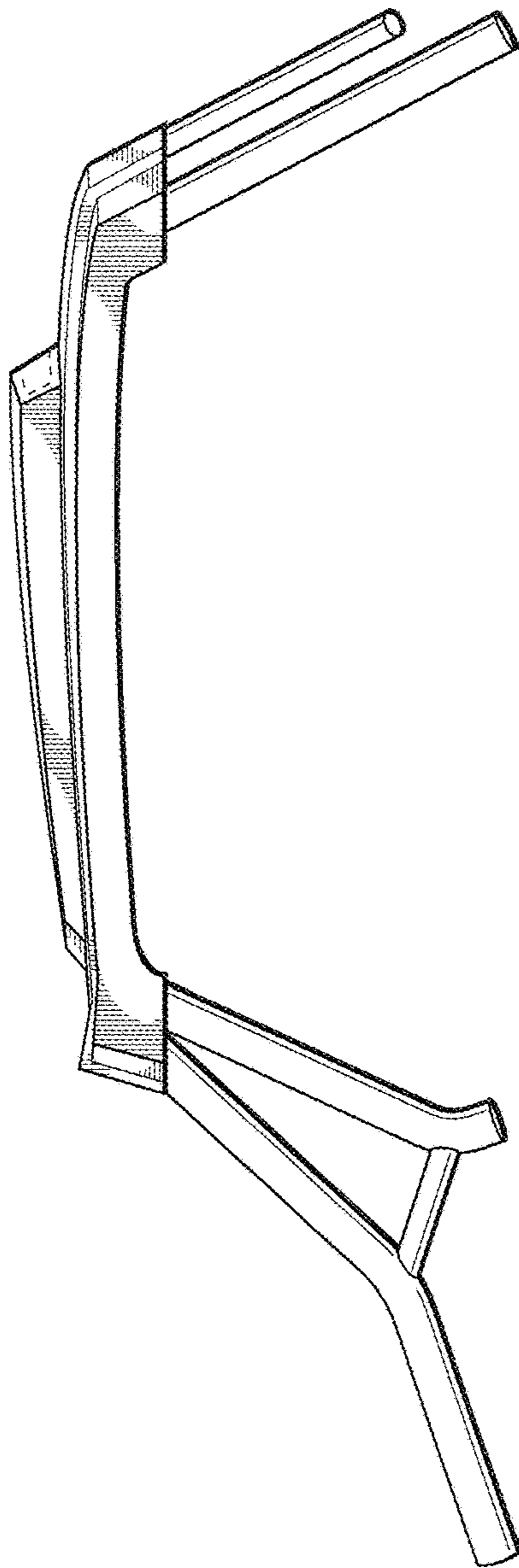


FIG. 5

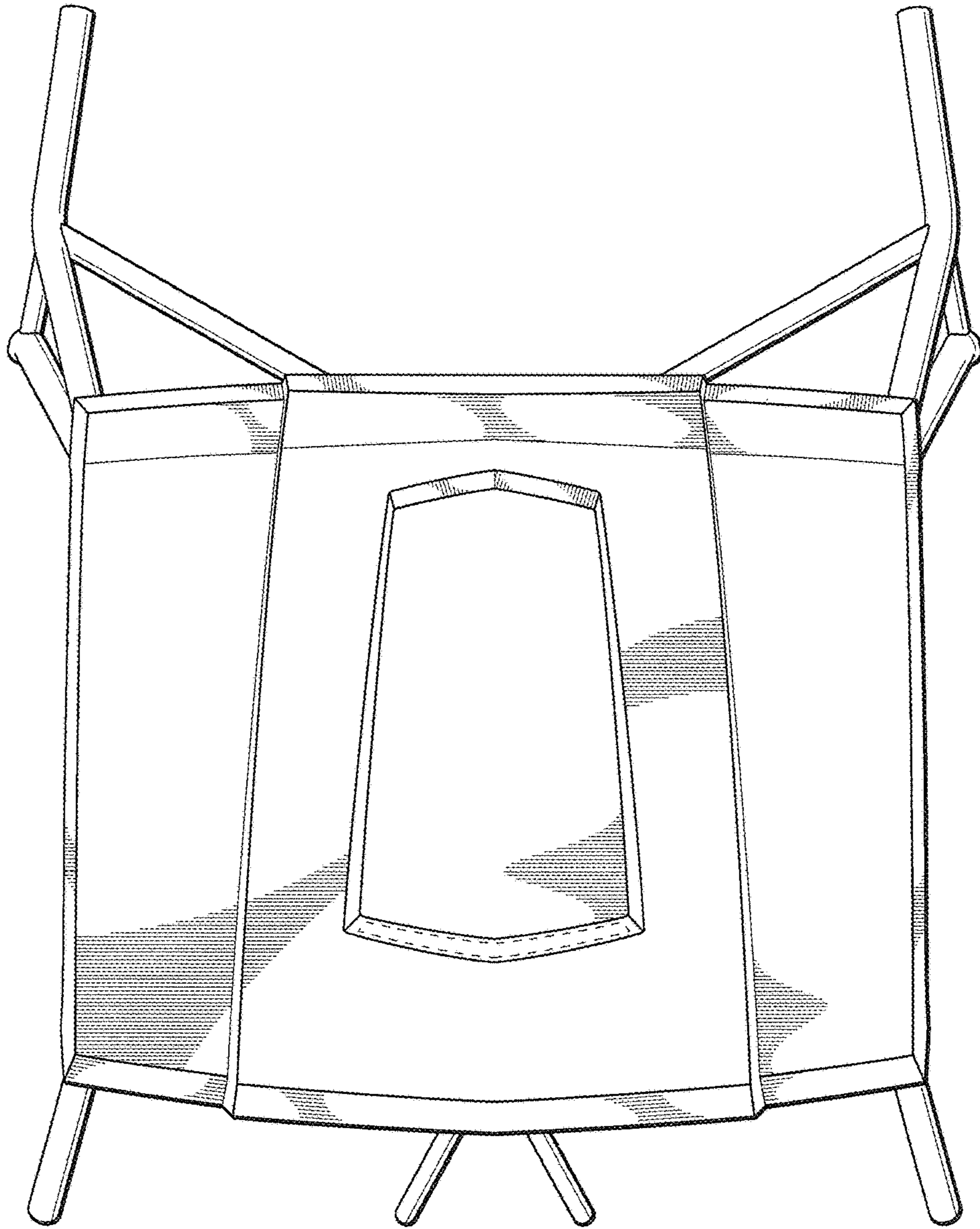


FIG. 6