



US00D863195S

(12) **United States Design Patent** (10) **Patent No.:** **US D863,195 S**  
**Bidigare et al.** (45) **Date of Patent:** **\*\* \*Oct. 15, 2019**

(54) **VEHICLE EXHAUST AFTERTREATMENT  
DEVICE CLEANING TOOL**

<[https://www.ayarushop.com/index.php?main\\_page=product\\_info&products\\_id=165443](https://www.ayarushop.com/index.php?main_page=product_info&products_id=165443) > (Year: 2012).\*

(Continued)

(71) Applicant: **IDSC Holdings, LLC**, Kenosha, WI  
(US)

*Primary Examiner* — Kevin K Rudzinski

(72) Inventors: **Jeffrey M. Bidigare**, St. Clair Shores, MI (US); **Todd W. Crowley**, Livonia, MI (US); **Christian P. Greene**, Rochester Hills, MI (US); **David F. Skladanowski**, Washington, MI (US); **David P. Shock**, Clinton Township, MI (US)

(74) *Attorney, Agent, or Firm* — Mcdonnell Boehnen Hulbert & Berghoff LLP

(57) **CLAIM**

The ornamental design for a vehicle exhaust aftertreatment device cleaning tool, as shown and described.

**DESCRIPTION**

(73) Assignee: **IDSC Holdings, LLC**, Kenosha, WI  
(US)

FIG. 1 is a top perspective view of a first embodiment of a vehicle exhaust aftertreatment device cleaning tool in accordance with the present invention;

(\*) Notice: This patent is subject to a terminal disclaimer.

FIG. 2 is a left side elevational view of the vehicle exhaust aftertreatment device cleaning tool shown in FIG. 1;

(\*\*) Term: **15 Years**

FIG. 3 is a right side elevational view of the vehicle exhaust aftertreatment device cleaning tool shown in FIG. 1;

(21) Appl. No.: **29/614,482**

FIG. 4 is a front elevational view of the vehicle exhaust aftertreatment device cleaning tool shown in FIG. 1;

(22) Filed: **Aug. 18, 2017**

FIG. 5 is a back elevational view of the vehicle exhaust aftertreatment device cleaning tool shown in FIG. 1;

(51) **LOC (12) Cl.** ..... **12-16**

FIG. 6 is a top view of the vehicle exhaust aftertreatment device cleaning tool shown in FIG. 1;

(52) **U.S. Cl.**  
USPC ..... **D12/400**

FIG. 7 is a bottom view of the vehicle exhaust aftertreatment device cleaning tool shown in FIG. 1; and

(58) **Field of Classification Search**  
USPC ..... D12/400; D24/109  
See application file for complete search history.

FIG. 8 is a bottom perspective view of the vehicle exhaust aftertreatment device cleaning tool shown in FIG. 1.

(56) **References Cited**

FIG. 9 is a top perspective view of a second embodiment of a vehicle exhaust aftertreatment device cleaning tool in accordance with the present invention;

**U.S. PATENT DOCUMENTS**

D33,398 S \* 10/1900 Herrick ..... 473/387  
1,564,212 A \* 12/1925 Decker ..... A63B 57/10  
473/390

FIG. 10 is a left side elevational view of the vehicle exhaust aftertreatment device cleaning tool shown in FIG. 9;

(Continued)

FIG. 11 is a right side elevational view of the vehicle exhaust aftertreatment device cleaning tool shown in FIG. 9;

**OTHER PUBLICATIONS**

Medela Personalfit Breast Shield, Small 21mm, posted to Ayarushop. Posted date Mar. 24, 2012 [site visited Jan. 28, 2019]. Available:

FIG. 12 is a front elevational view of the vehicle exhaust aftertreatment device cleaning tool shown in FIG. 9;

FIG. 13 is a back elevational view of the vehicle exhaust aftertreatment device cleaning tool shown in FIG. 9;

FIG. 14 is a top view of the vehicle exhaust aftertreatment device cleaning tool shown in FIG. 9;

(Continued)

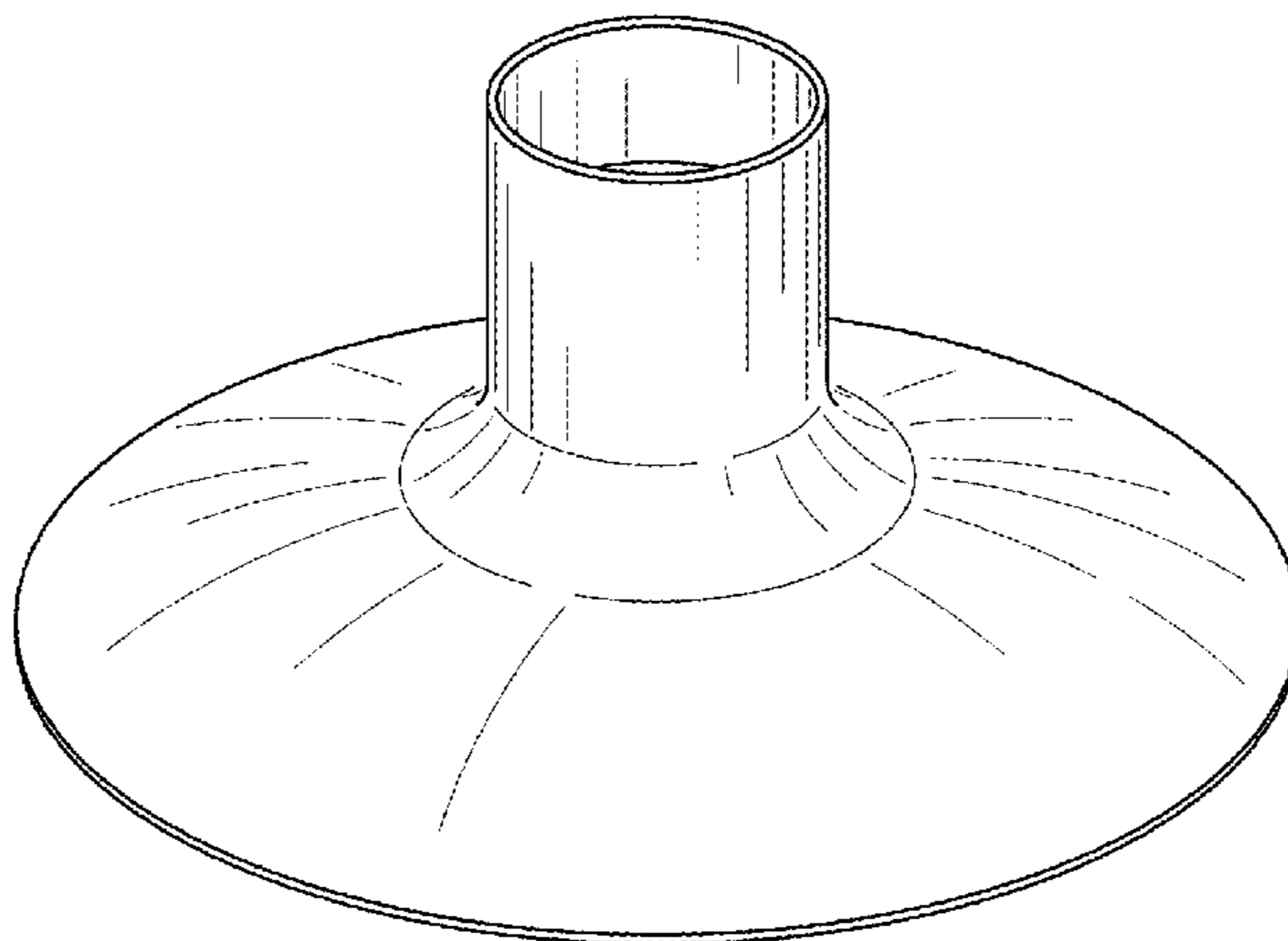


FIG. 15 is a bottom view of the vehicle exhaust aftertreatment device cleaning tool shown in FIG. 9; and, FIG. 16 is a bottom perspective view of the vehicle exhaust aftertreatment device cleaning tool shown in FIG. 9. The dashed broken lines in FIG. 9, FIG. 14, FIG. 15, and FIG. 16 show portions of the vehicle exhaust aftertreatment device cleaning tool that form no part of the claimed design. The shade lines in the figures show contour and not surface ornamentation.

**1 Claim, 12 Drawing Sheets**

(56)

**References Cited**

U.S. PATENT DOCUMENTS

2,178,033	A *	10/1939	Decker	.....	B60H 1/00464	165/42
2,589,967	A *	3/1952	Sawyer	.....	A47G 19/2261	215/372
2,805,071	A *	9/1957	Kaplan	.....	A63B 57/15	473/398
2,908,473	A *	10/1959	Snyder	.....	A47G 23/0241	215/376
D248,075	S *	6/1978	Daenen	.....	D7/523	
4,136,869	A *	1/1979	Tassone	.....	A63B 69/0075	473/417
4,316,560	A *	2/1982	Carter	.....	B44D 3/128	220/700
D263,715	S *	4/1982	Walter	.....	D15/199	
4,901,776	A *	2/1990	Attinello	.....	B67C 11/02	116/228
D309,241	S *	7/1990	Ayyoubi	.....	D23/200	
D317,222	S *	6/1991	Dodge	.....	D1/102	
5,168,908	A *	12/1992	Boyum	.....	B67C 11/02	141/331
D359,958	S *	7/1995	Frodelius	.....	D14/208	
D396,284	S *	7/1998	Schaefer	.....	D24/122	
5,927,353	A *	7/1999	Persson	.....	B65B 39/00	141/331
D426,047	S *	6/2000	Kurtz	.....	D1/105	
D428,771	S *	8/2000	Novi	.....	D7/523	
D432,915	S *	10/2000	Smith	.....	D9/436	
6,131,759	A	10/2000	Young			
D436,166	S *	1/2001	Berkey	.....	D24/122	
6,341,631	B1	1/2002	Hobbs			
6,571,976	B1 *	6/2003	Sonnabend	.....	B65D 25/24	220/483
6,723,066	B2 *	4/2004	Larsson	.....	A61M 1/064	604/74
D506,991	S *	7/2005	Chen	.....	D14/204	
D564,656	S	3/2008	Matsutori et al.			
D591,730	S *	5/2009	Pantaleone	.....	D14/216	
D606,373	S	12/2009	McCaffery et al.			
D617,894	S *	6/2010	Wright	.....	A61B 90/40	D24/121

8,196,622	B1 *	6/2012	Fisher	.....	B67C 11/02	141/330
8,444,596	B2 *	5/2013	Paterson	.....	A61M 1/0072	604/74
D724,055	S *	3/2015	Tice	.....	D14/216	
D738,169	S	9/2015	Weisenbach			
D754,312	S *	4/2016	Ellis	.....	D23/355	
D814,018	S *	3/2018	Emmenegger	.....	D24/109	
D815,272	S *	4/2018	Emmenegger	.....	D24/109	
D822,815	S *	7/2018	Seo	.....	D23/356	
D847,449	S *	4/2019	Viera	.....	D34/2	
2010/0183490	A1	7/2010	Hoke et al.			
2010/0230920	A1	9/2010	Thibault			
2010/0324477	A1 *	12/2010	Paterson	.....	A61M 1/06	604/74
2011/0301532	A1 *	12/2011	Wach	.....	A61M 1/06	604/74
2012/0071981	A1	3/2012	Farley et al.			
2013/0192711	A1	8/2013	Sessler			
2016/0331879	A1 *	11/2016	Dann	.....	A61M 1/064	
2017/0095600	A1 *	4/2017	Sherman	.....	A61M 39/105	

OTHER PUBLICATIONS

Catalytic Exhaust Products Ltd., Diesel Particulate Filters At Great Prices!, brochure downloaded Jul. 24, 2017 from the world wide web at <https://www.catalyticexhaust.com/product/diesel-particulate-filters/maintenance-filters> (3 pages).

DES Blowout Box (FTM BB002), DPF Cleaning Equipment, brochure downloaded Nov. 22, 2017 from the world wide web at <https://www.dpfpartsdirect.com/collections/cleaning-equipment/products/blowout-box-des-bb002> (2 pages).

Detroit Diesel Corporation, Detroit Service Information Bulletin, Diesel Oxidation Catalyst Air Cleaning, Feb. 23, 2016 (9 pages).

FSX Equipment Inc., Diesel Particulate Filter Cleaning Equipment, brochure (3 pages), Jun. 10, 2009.

Hands on Tools Mechanic & Body Shop Tools & Supplies, OTC 5286 Portable Diesel Particulate Filter DPF, brochure downloaded Nov. 22, 2017 from the world wide web at [https://www.handsontools.com/OTC-5286-Portable-Diesel-Particulate-Filter-DPF-Cleaner\\_p\\_101531.html](https://www.handsontools.com/OTC-5286-Portable-Diesel-Particulate-Filter-DPF-Cleaner_p_101531.html) (3 pages).

Nett Technologies Inc., Diesel Oxidation Catalysts, Your diesel engine emission control just got easier!, brochure and specification sheets downloaded Jul. 24, 2017 from the world wide web at <https://www.nettinc.com/wp-content/uploads/docs/diesel-oxidation-catalyst-brochure-DOC.pdf> (2 pages).

OTC Tool Company, OTC Tools and SPX, OTC 5280 Diesel Particulate Filter Cleaner, brochure and specification sheets downloaded Nov. 22, 2017 from the world wide web at [http://s7d9.scene7.com/is/content/GenuinePartsCompany/1437908pdf?SPDF\\$](http://s7d9.scene7.com/is/content/GenuinePartsCompany/1437908pdf?SPDF$), 2010 (4 pages).

Medela, PersonalFit Breast Shields 21 mm—box of 2, Item #87072, downloaded from the world wide web at <http://www.medelabreastfeedingus.com/products/196/personalfit-breastshields-21mm-small#!Works-With> on Mar. 28, 2019.

\* cited by examiner



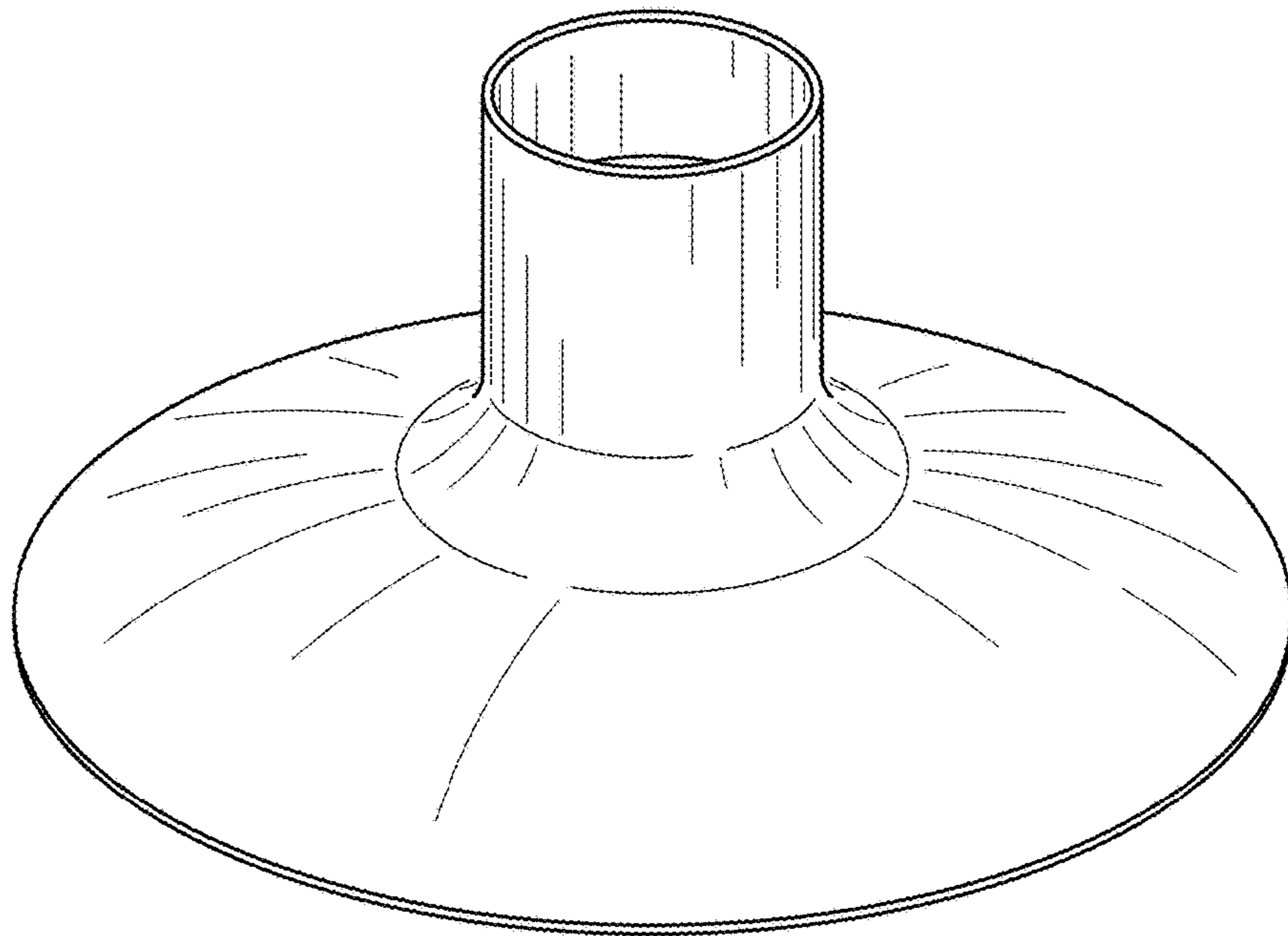


FIG. 1

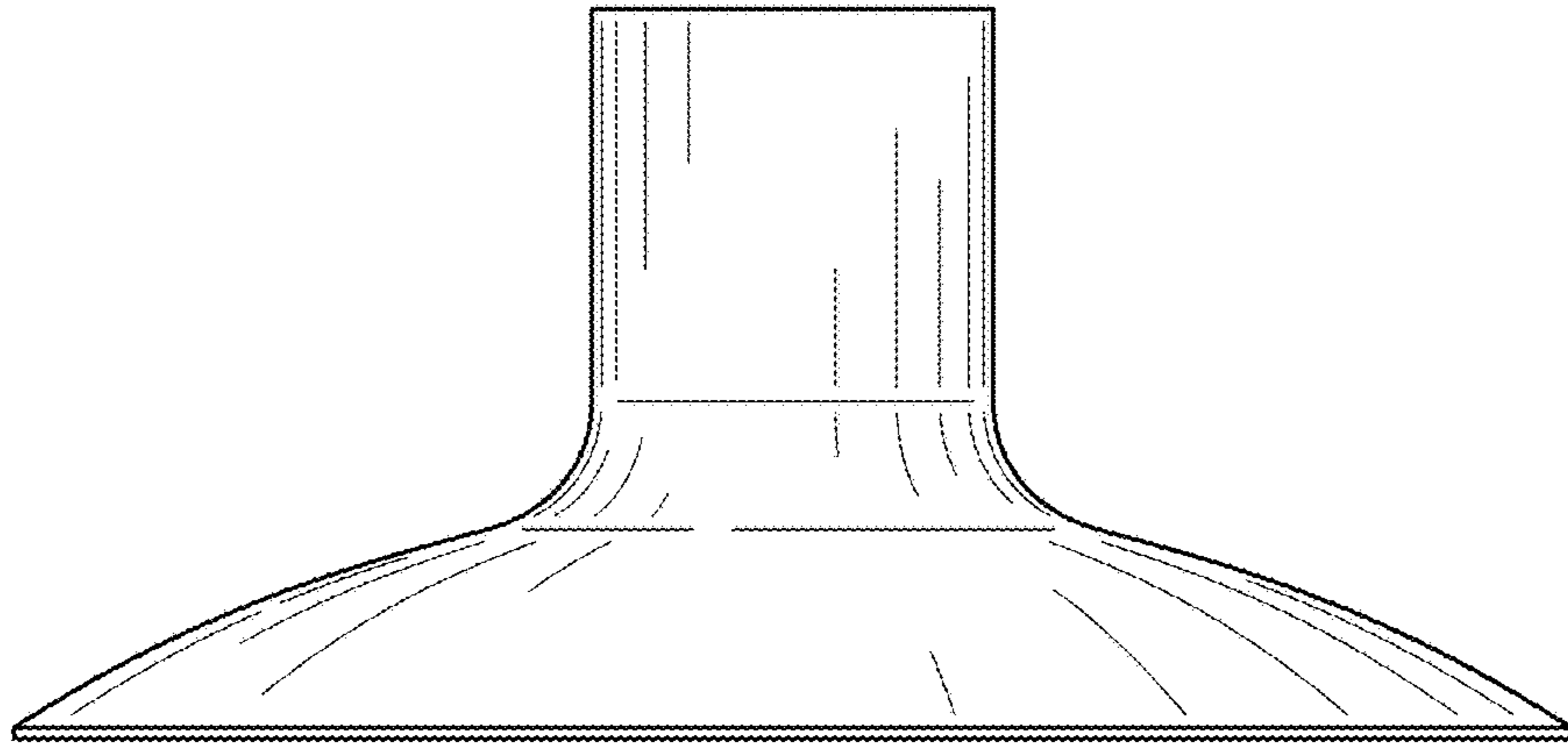


FIG. 2

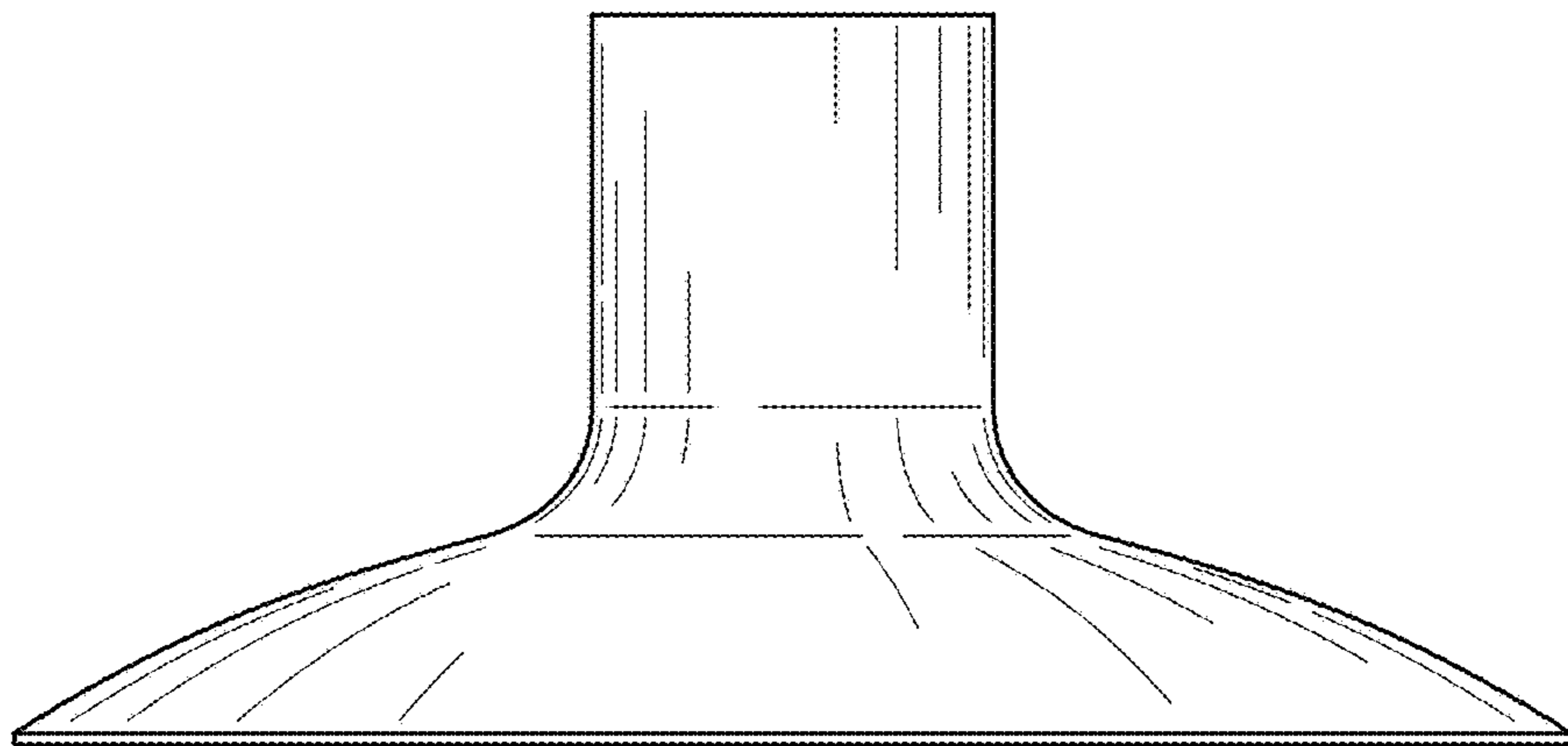


FIG. 3

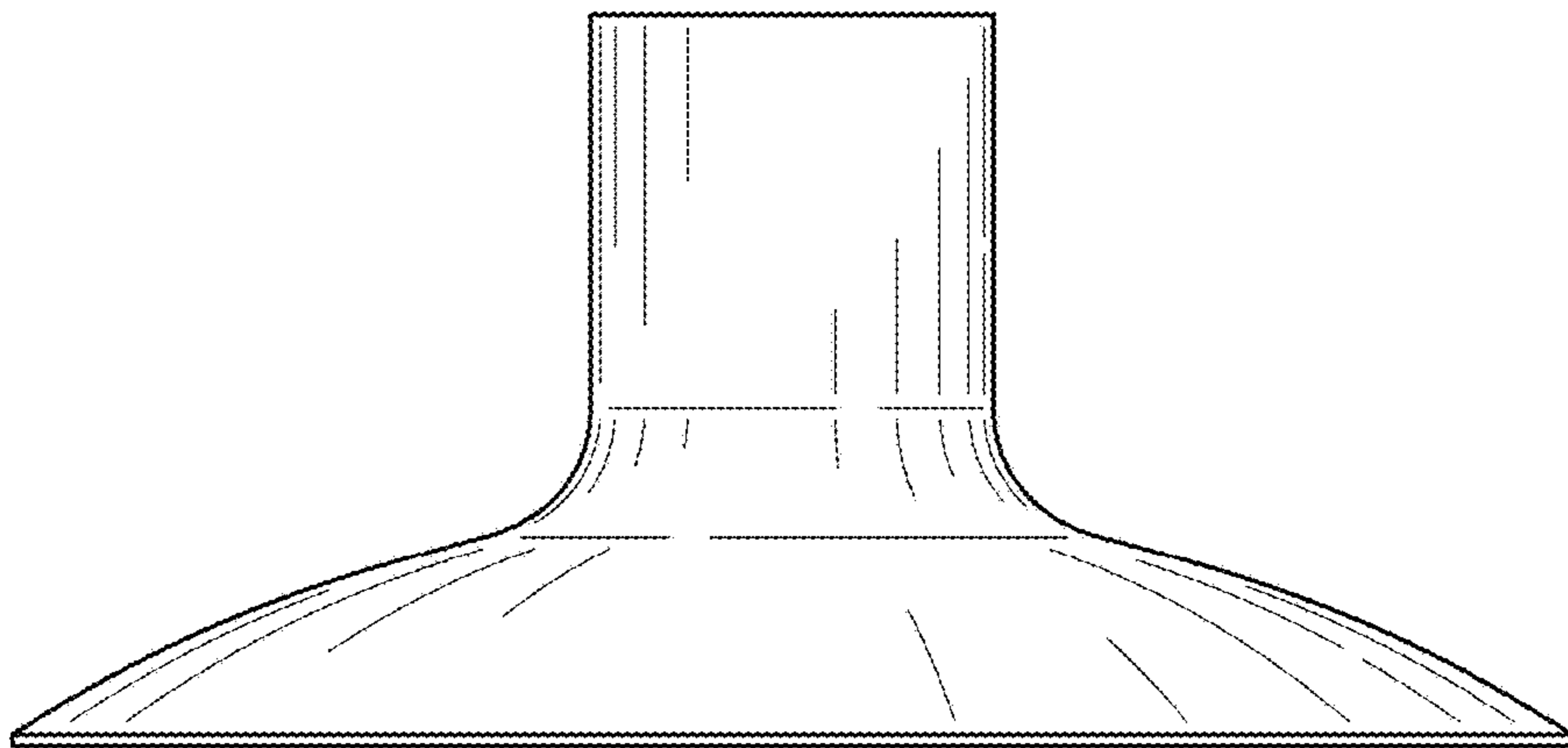


FIG. 4

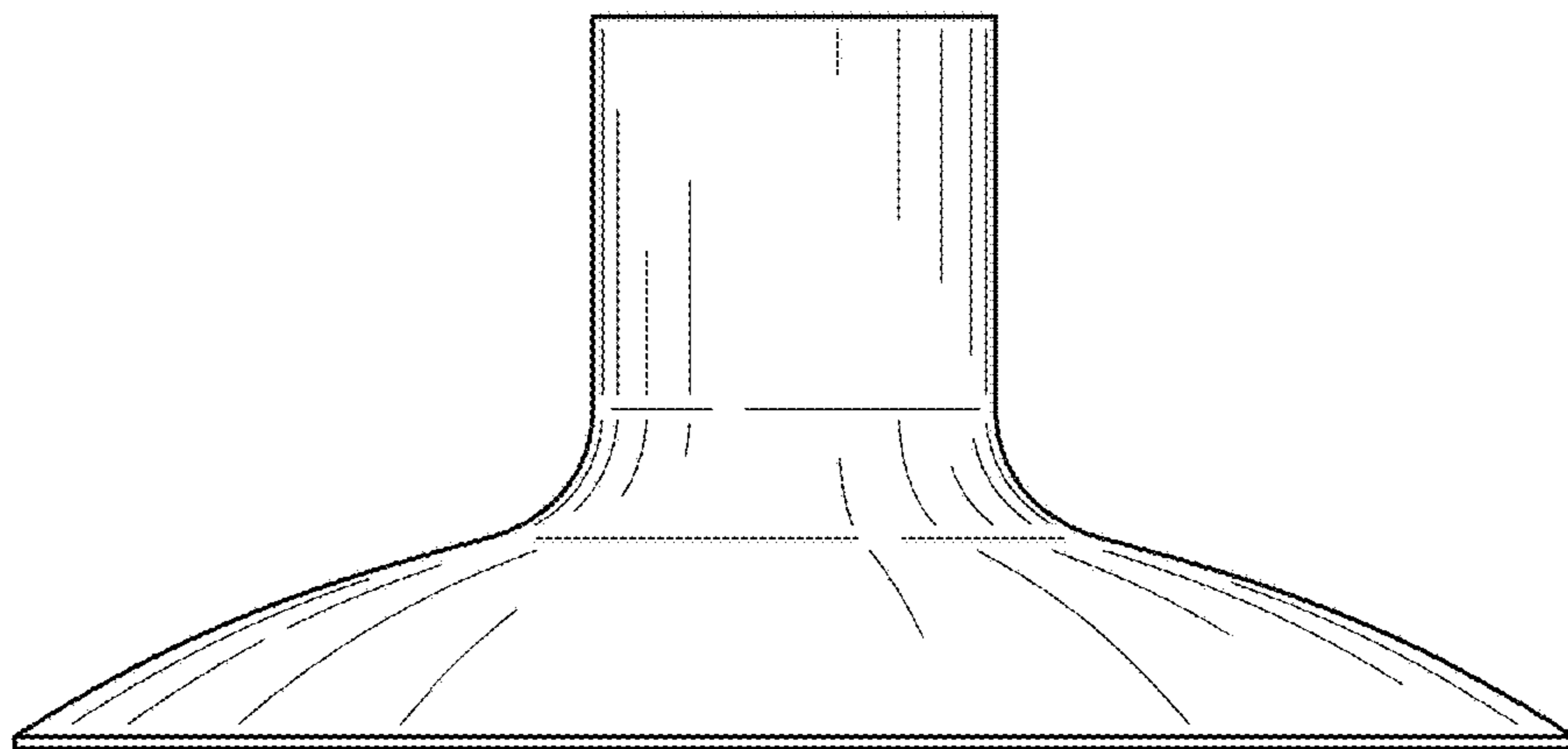


FIG. 5

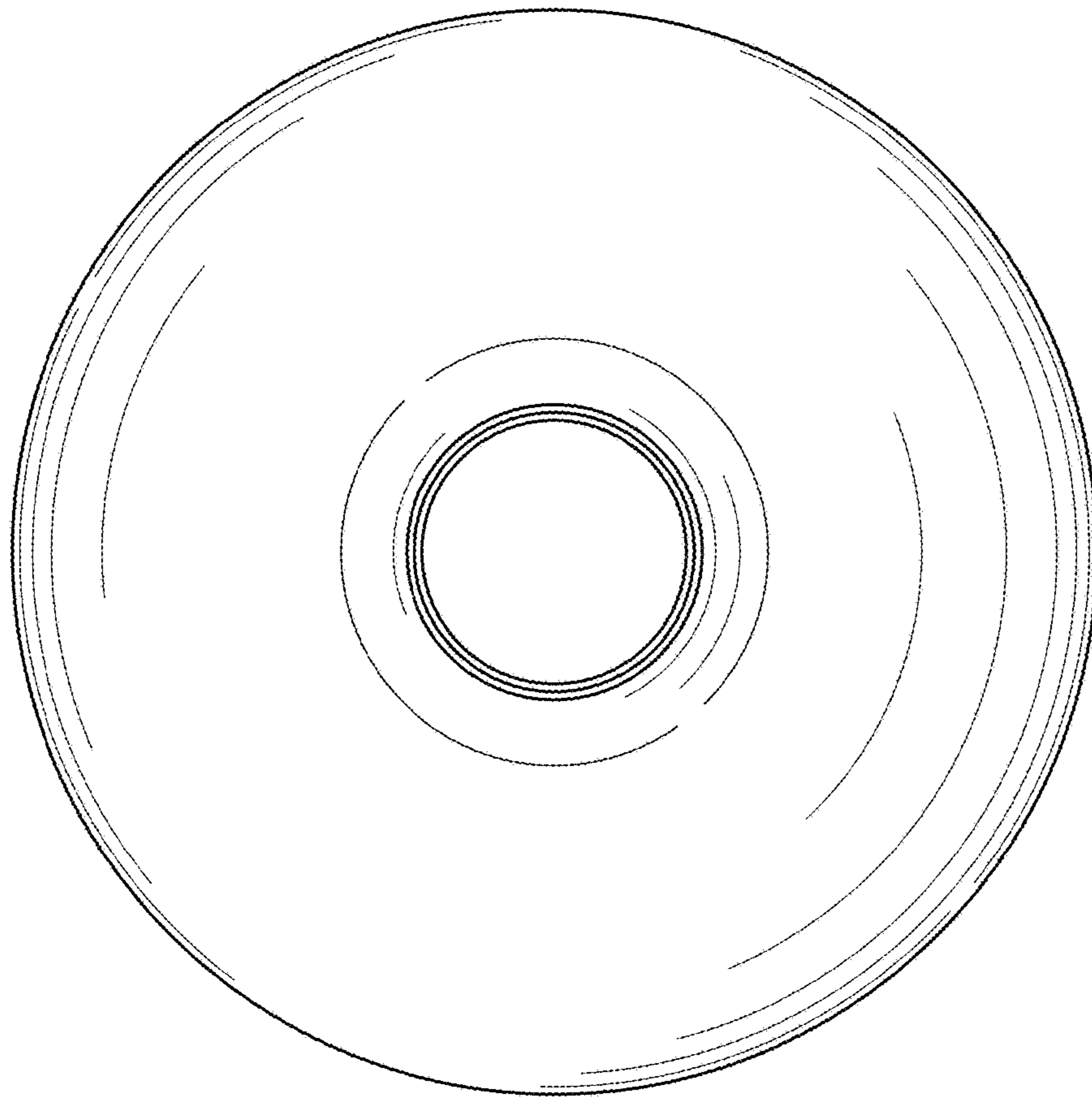


FIG. 6

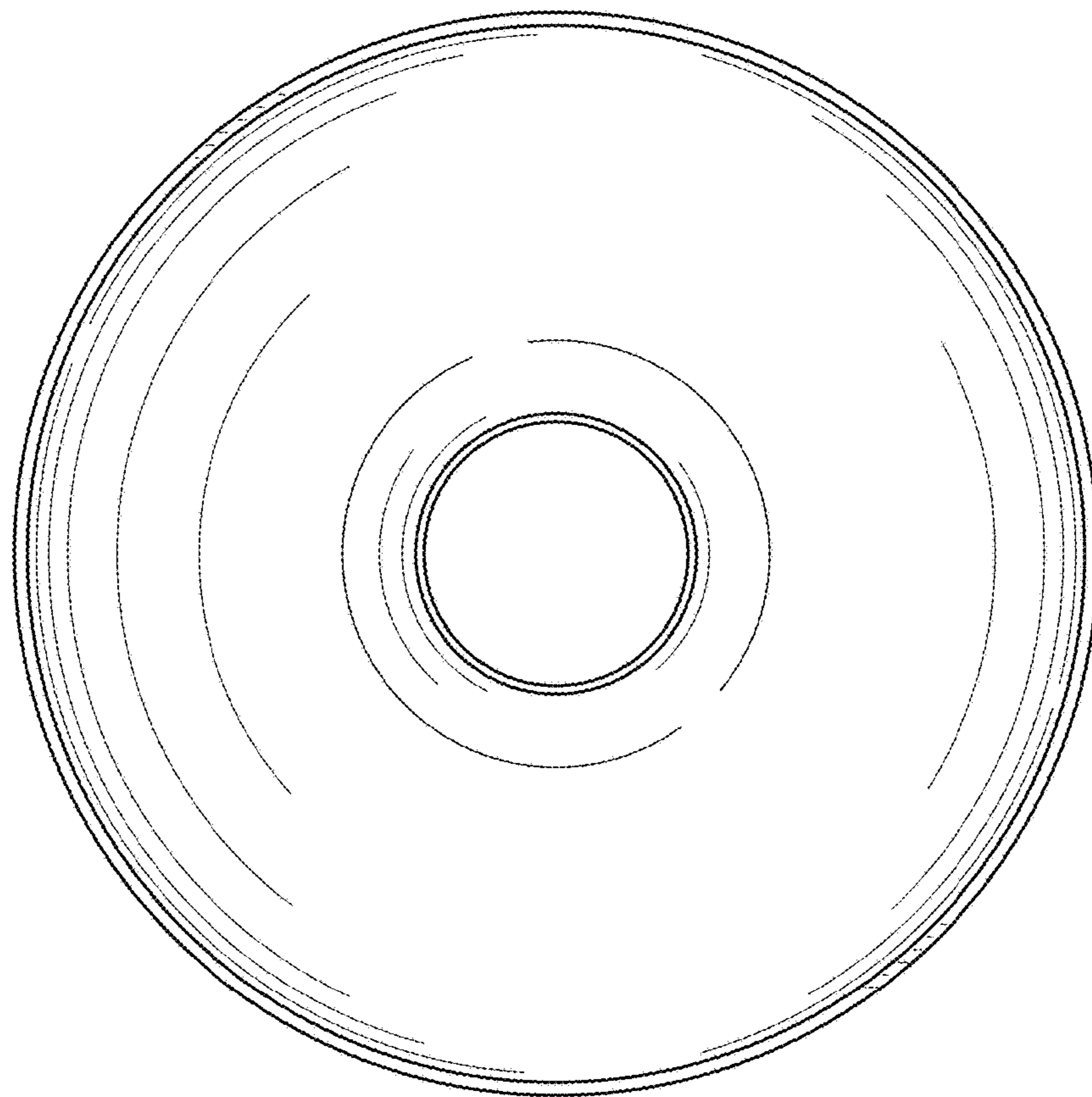


FIG. 7

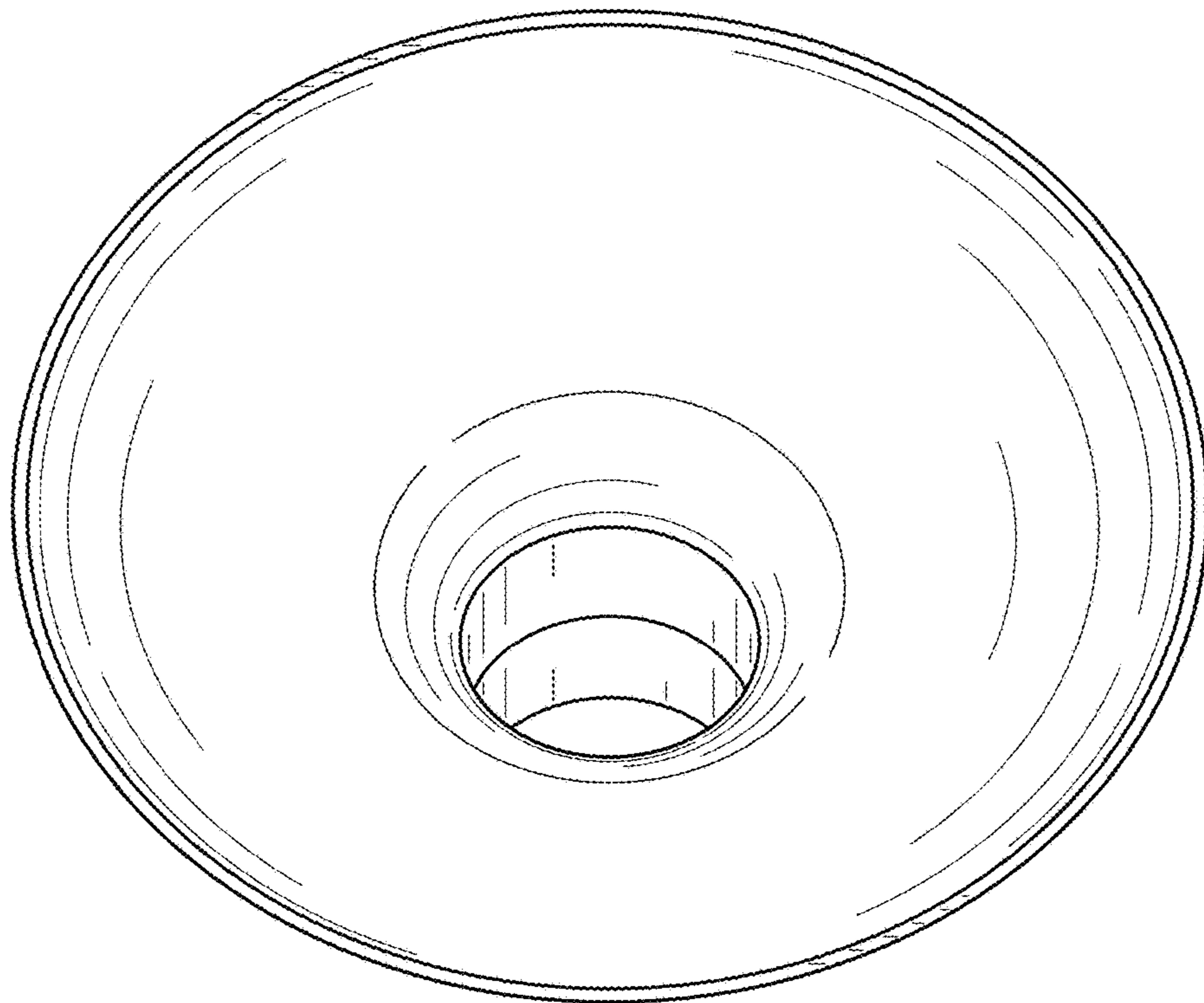


FIG. 8



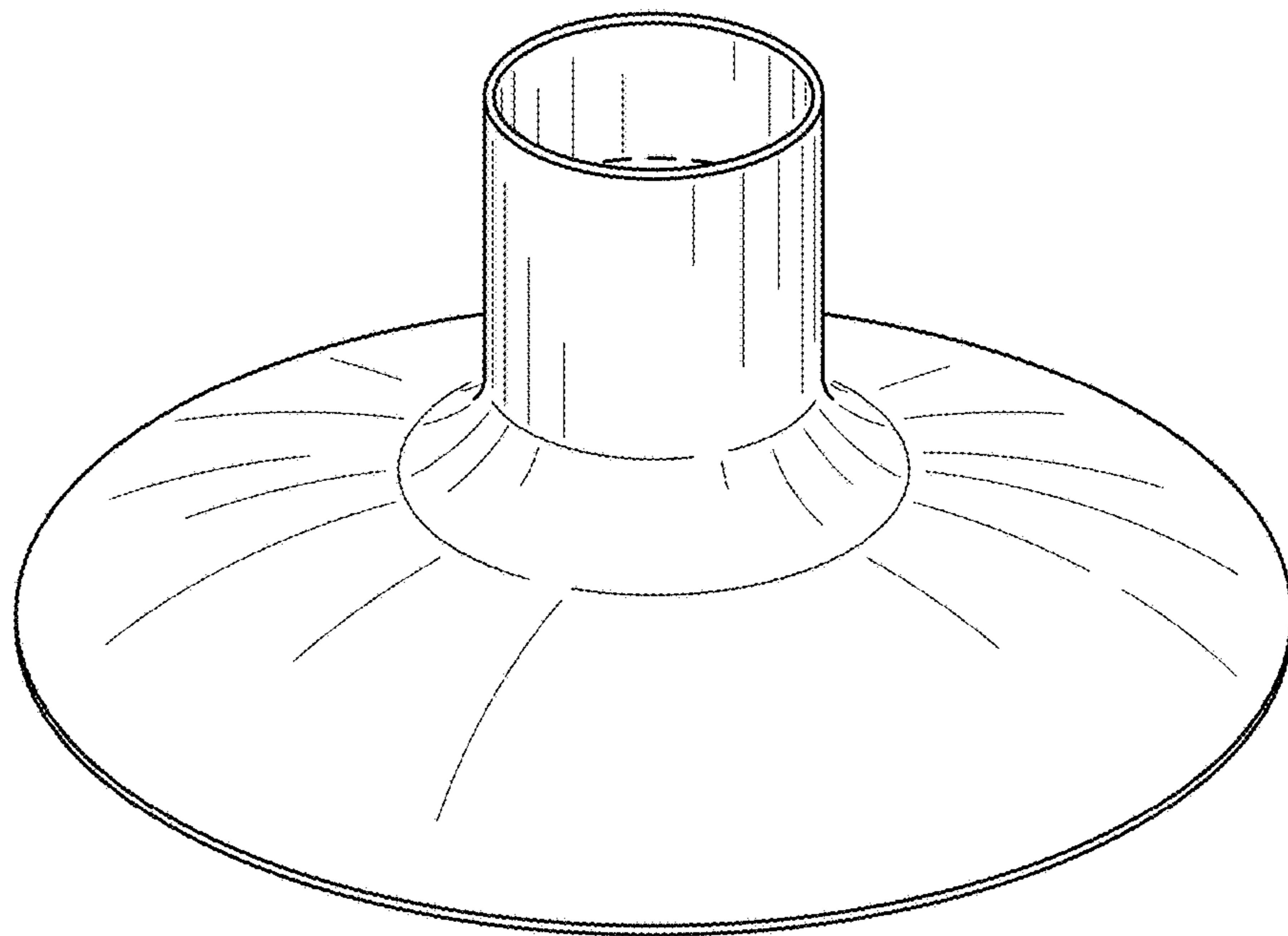


FIG. 9

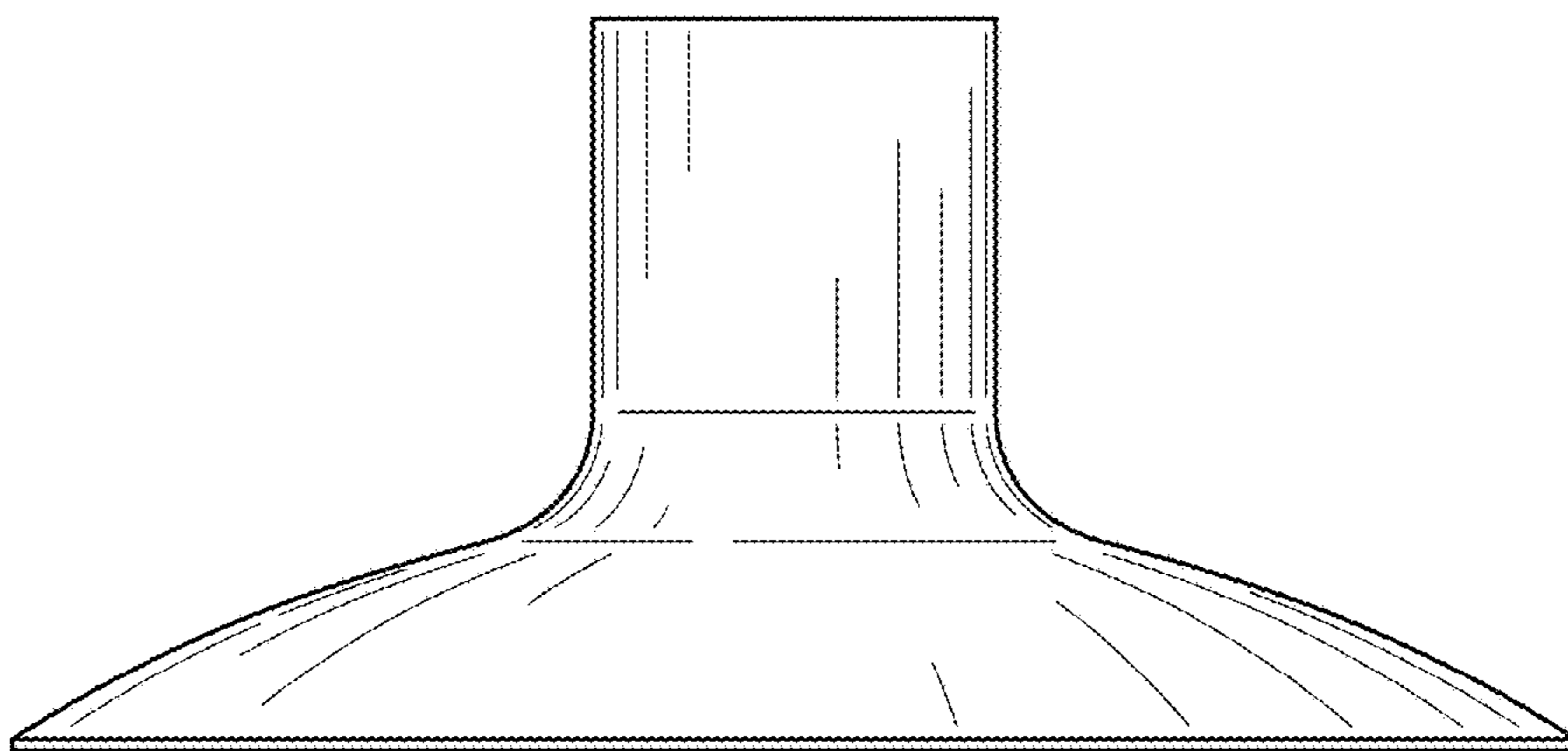


FIG. 10

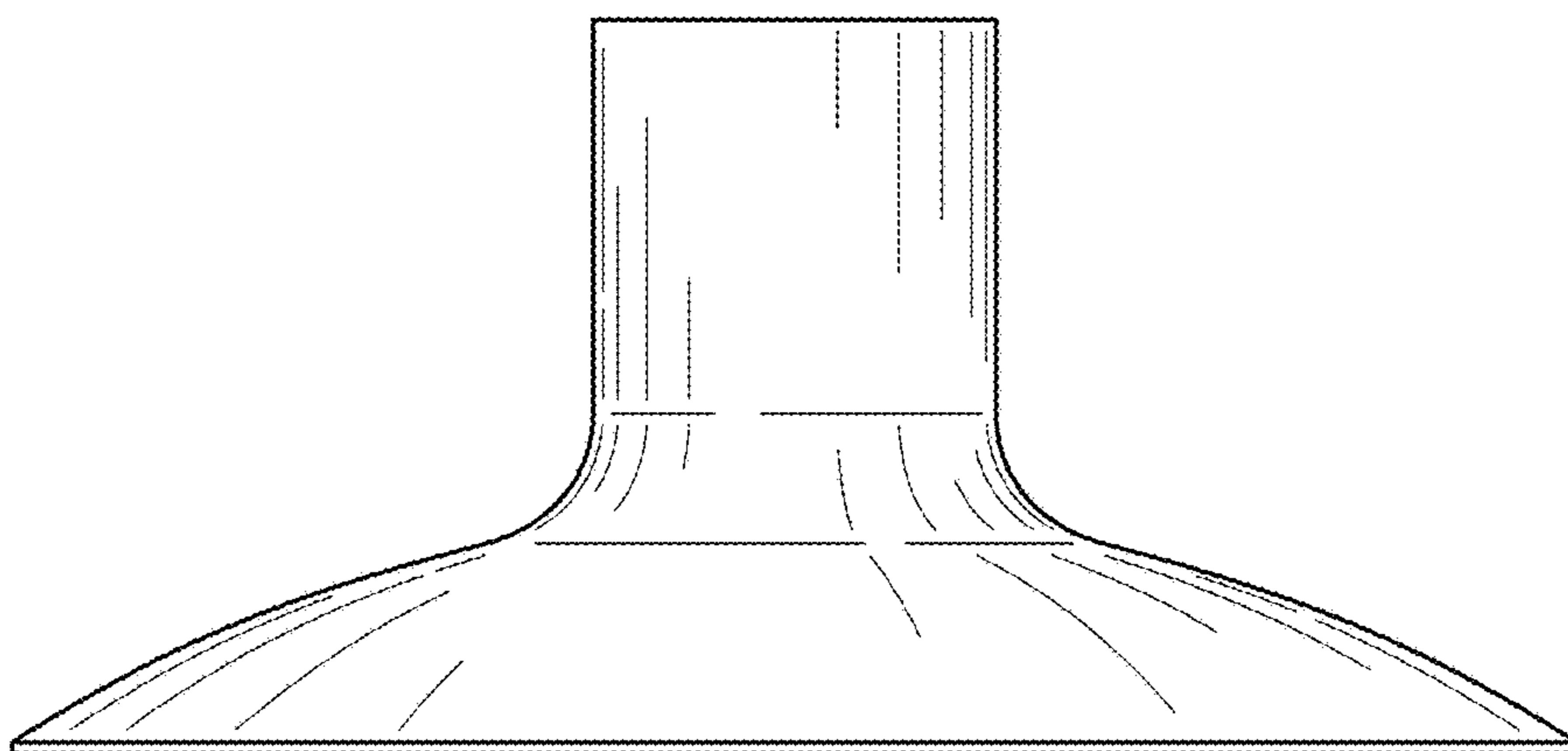
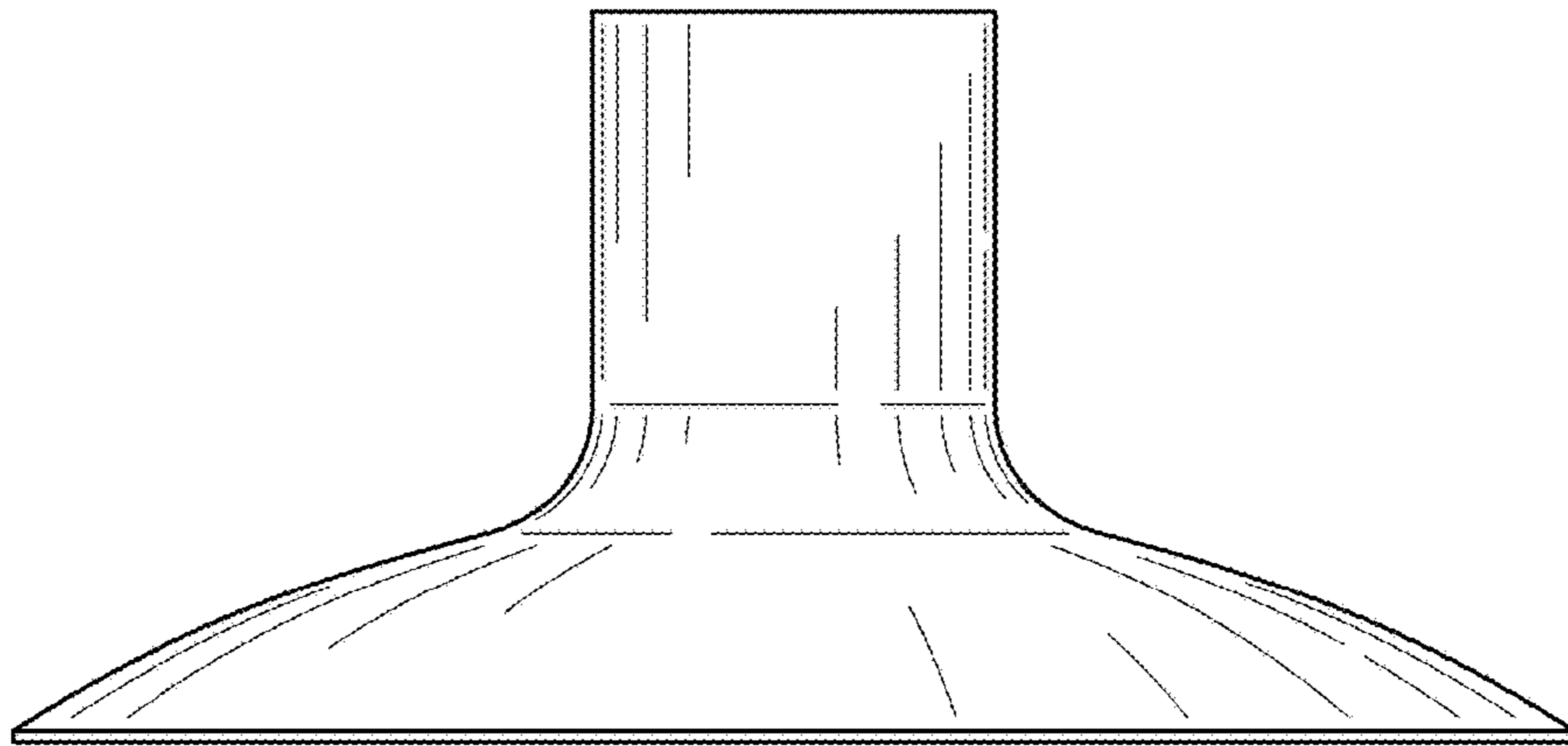
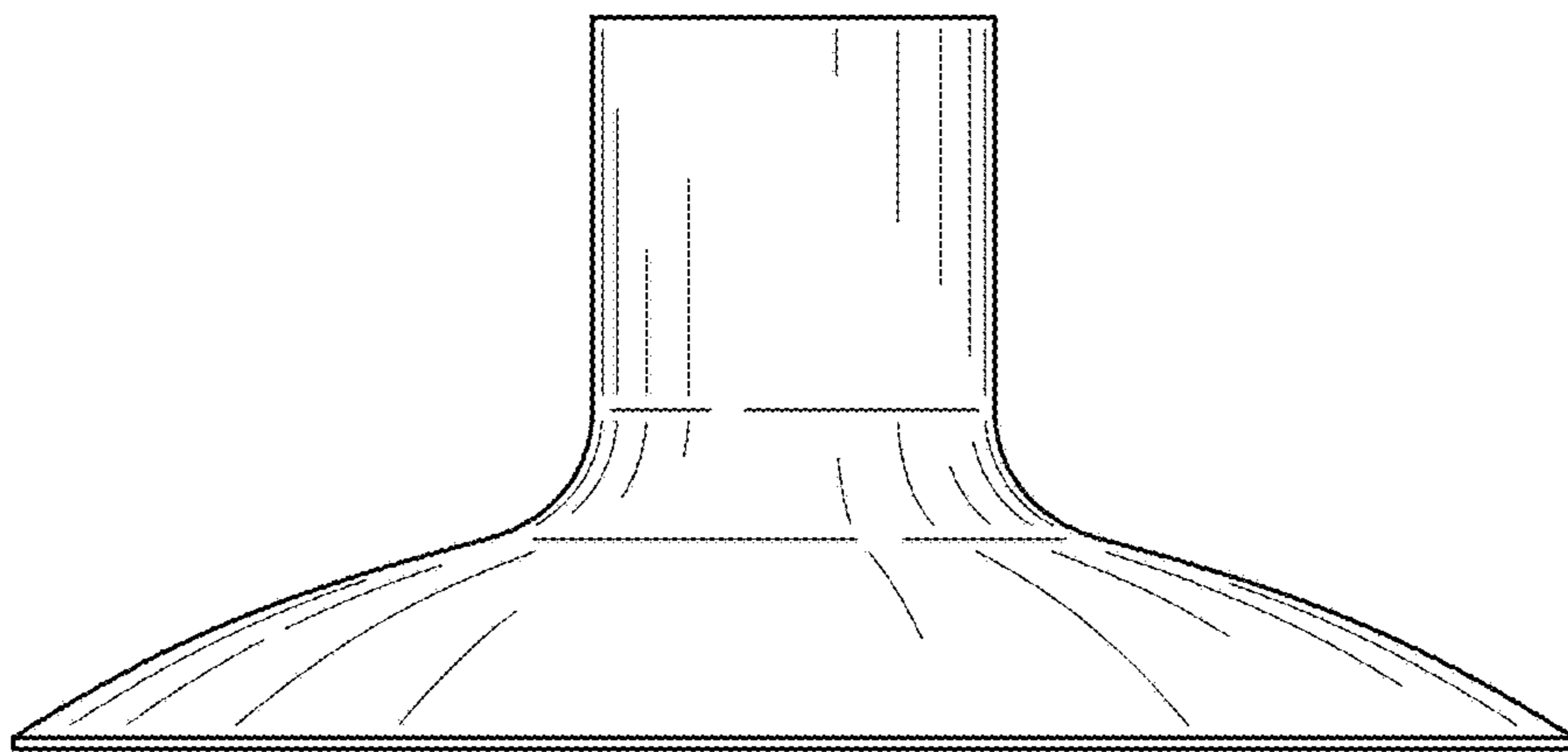


FIG. 11



**FIG. 12**



**FIG. 13**

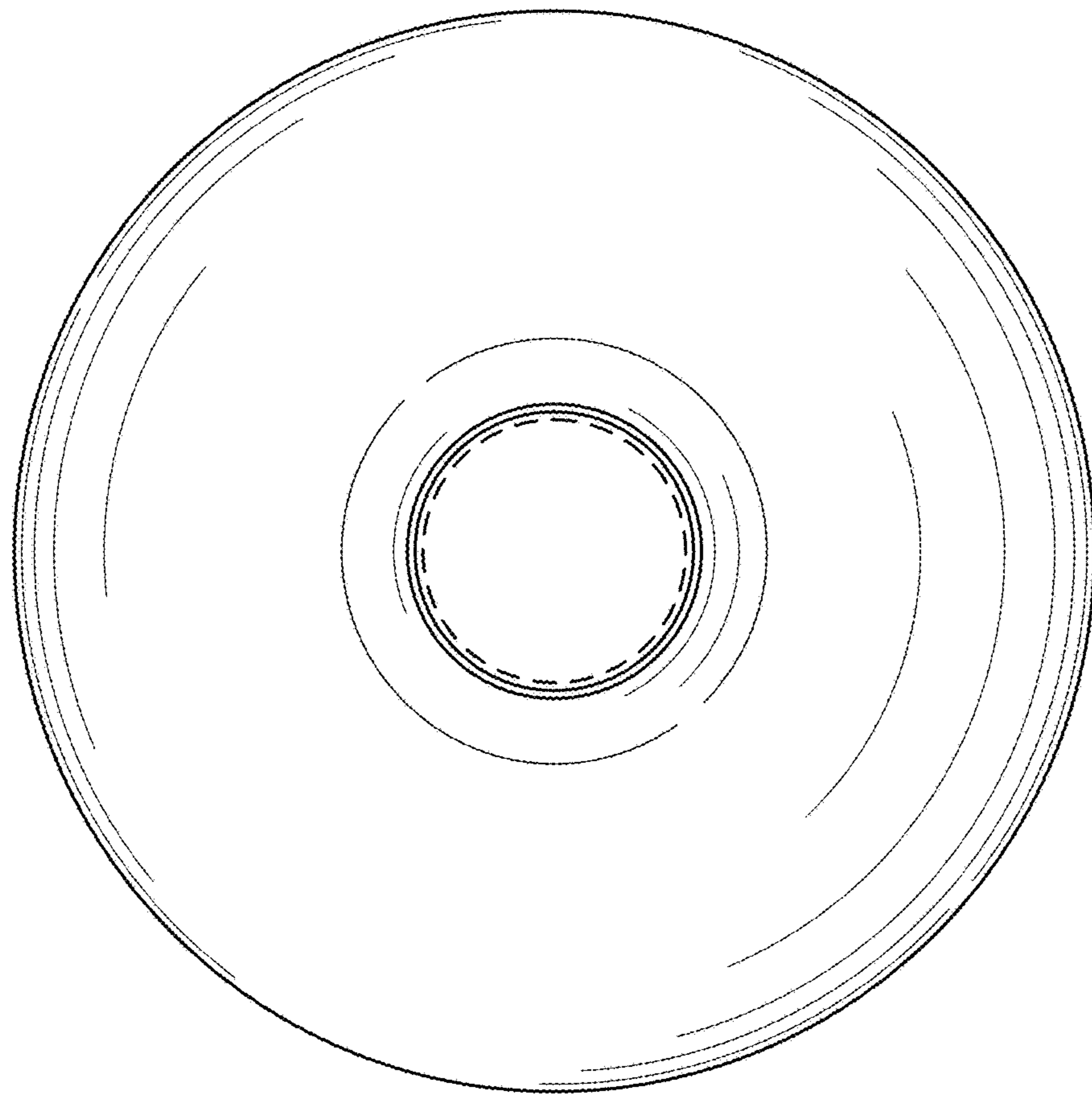


FIG. 14



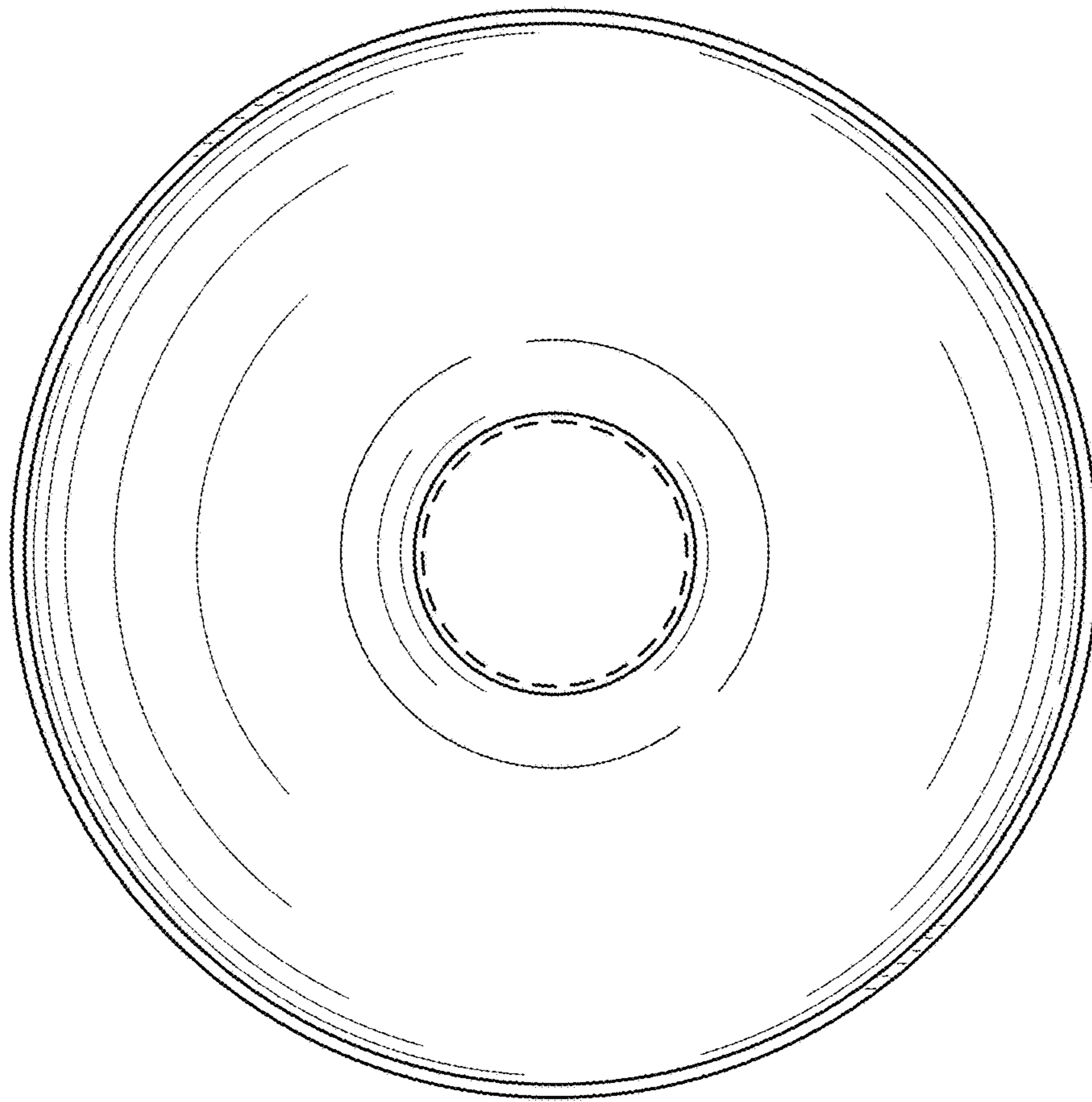


FIG. 15

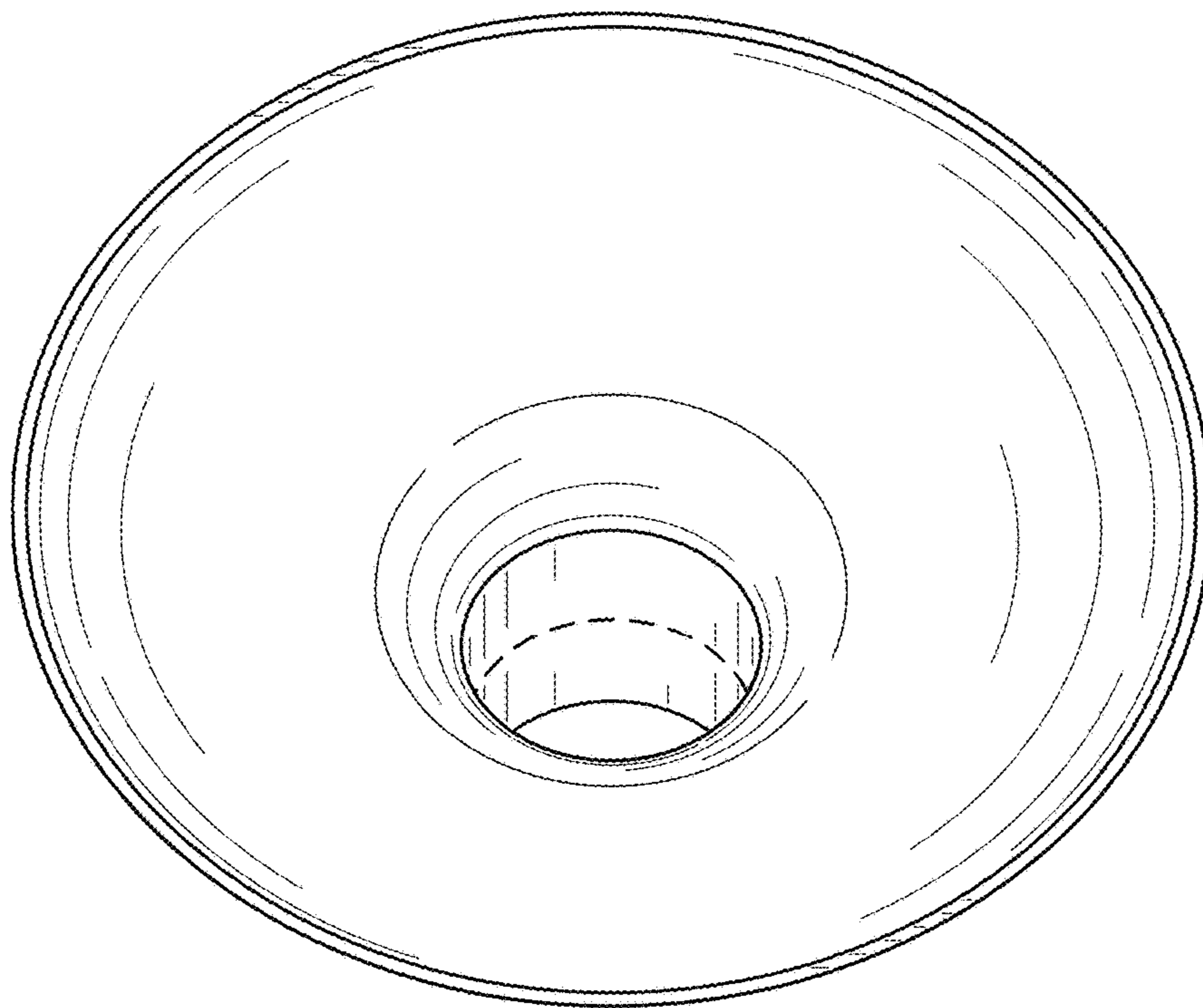


FIG. 16