



US00D863194S

(12) **United States Design Patent** (10) **Patent No.:** **US D863,194 S**
Bidigare et al. (45) **Date of Patent:** **** *Oct. 15, 2019**

(54) **VEHICLE EXHAUST AFTERTREATMENT
DEVICE CLEANING TOOL**

< [https://www.ayarushop.com/index.php?main_page=product_info
&products_id=165443](https://www.ayarushop.com/index.php?main_page=product_info&products_id=165443) > (Year: 2012).*

(Continued)

(71) Applicant: **IDSC Holdings, LLC**, Kenosha, WI
(US)

Primary Examiner — Kevin K Rudzinski

(72) Inventors: **Jeffrey M. Bidigare**, St. Clair Shores,
MI (US); **Todd W. Crowley**, Livonia,
MI (US); **Christian P. Greene**,
Rochester Hills, MI (US); **David F.
Skladanowski**, Washington, MI (US);
David P. Shock, Clinton Township, MI
(US)

(74) *Attorney, Agent, or Firm* — McDonnell Boehnen
Hulbert & Berghoff LLP

(57) **CLAIM**

The ornamental design for a vehicle exhaust aftertreatment
device cleaning tool, as shown and described.

DESCRIPTION

(73) Assignee: **IDSC Holdings, LLC**, Kenosha, WI
(US)

FIG. 1 is a top perspective view of a first embodiment of a
vehicle exhaust aftertreatment device cleaning tool in accor-
dance with the present invention;

(*) Notice: This patent is subject to a terminal dis-
claimer.

FIG. 2 is a left side elevational view of the vehicle exhaust
aftertreatment device cleaning tool shown in FIG. 1;

(**) Term: **15 Years**

FIG. 3 is a right side elevational view of the vehicle exhaust
aftertreatment device cleaning tool shown in FIG. 1;

(21) Appl. No.: **29/614,433**

FIG. 4 is a front elevational view of the vehicle exhaust
aftertreatment device cleaning tool shown in FIG. 1;

(22) Filed: **Aug. 18, 2017**

FIG. 5 is a back elevational view of the vehicle exhaust
aftertreatment device cleaning tool shown in FIG. 1;

(51) **LOC (12) Cl.** **12-16**

FIG. 6 is a top view of the vehicle exhaust aftertreatment
device cleaning tool shown in FIG. 1;

(52) **U.S. Cl.**
USPC **D12/400**

FIG. 7 is a bottom view of the vehicle exhaust aftertreatment
device cleaning tool shown in FIG. 1; and

(58) **Field of Classification Search**
USPC D12/400; D24/109
See application file for complete search history.

FIG. 8 is a bottom perspective view of the vehicle exhaust
aftertreatment device cleaning tool shown in FIG. 1.

(56) **References Cited**

FIG. 9 is a top perspective view of a second embodiment of
a vehicle exhaust aftertreatment device cleaning tool in
accordance with the present invention; FIG. 10 is a left side
elevational view of the vehicle exhaust aftertreatment device
cleaning tool shown in FIG. 9;

U.S. PATENT DOCUMENTS

D33,398 S * 10/1900 Herrick 473/387
1,564,212 A * 12/1925 Decker A63B 57/10
473/390

FIG. 11 is a right side elevational view of the vehicle exhaust
aftertreatment device cleaning tool shown in FIG. 9;

(Continued)

FIG. 12 is a front elevational view of the vehicle exhaust
aftertreatment device cleaning tool shown in FIG. 9;

OTHER PUBLICATIONS

Medela Personalfit Breast Shield, Large posted to Ayarushop.
Posted date Mar. 24, 2012 [site visited Jan. 28, 2019]. Available:

FIG. 13 is a back elevational view of the vehicle exhaust
aftertreatment device cleaning tool shown in FIG. 9; FIG. 14
is a top view of the vehicle exhaust aftertreatment device
cleaning tool shown in FIG. 9;

(Continued)

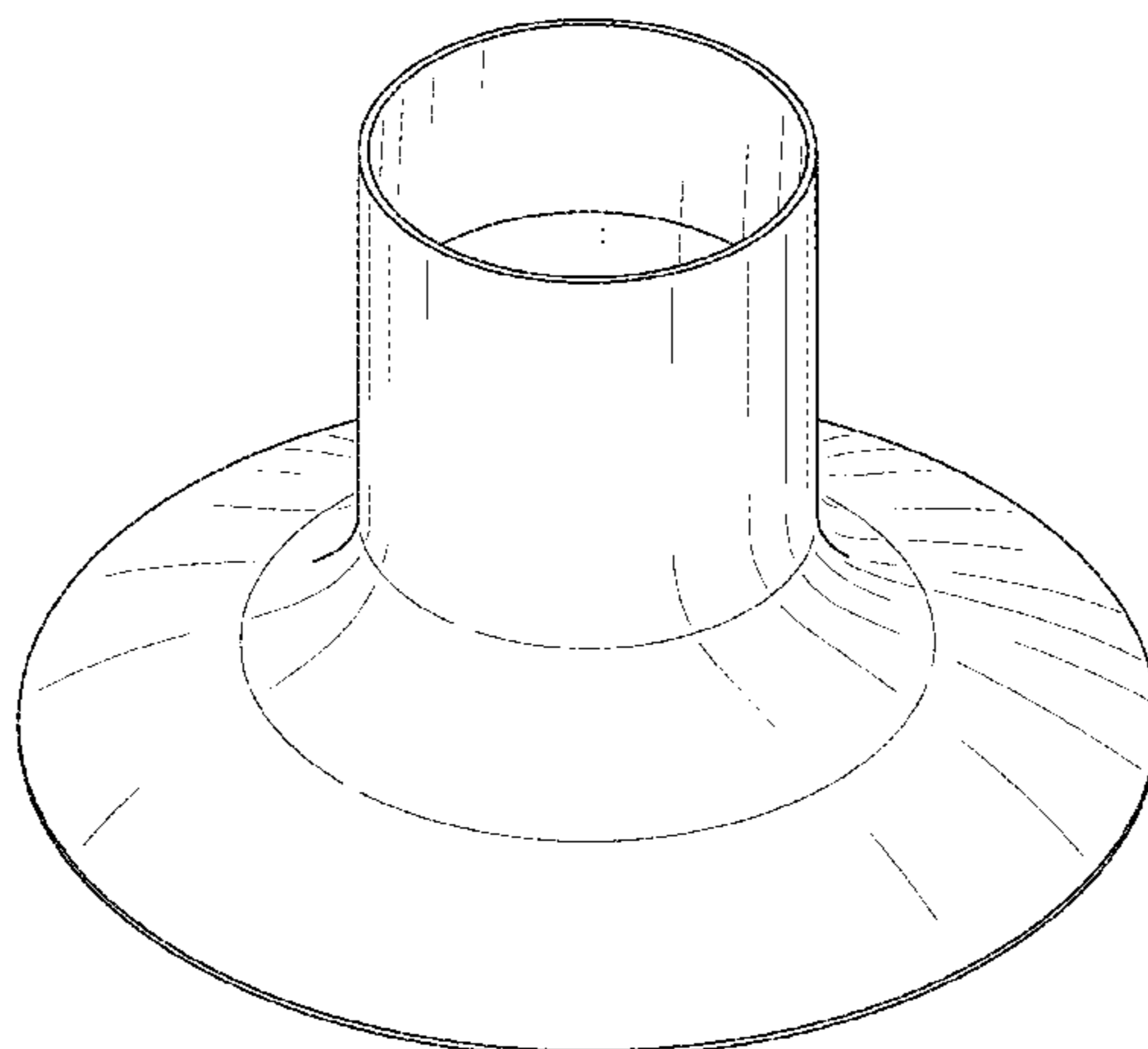


FIG. 15 is a bottom view of the vehicle exhaust aftertreatment device cleaning tool shown in FIG. 9; and, FIG. 16 is a bottom perspective view of the vehicle exhaust aftertreatment device cleaning tool shown in FIG. 9. The dashed broken lines in FIG. 9, FIG. 14, FIG. 15, and FIG. 16 show portions of the vehicle exhaust aftertreatment device cleaning tool that form no part of the claimed design. The shade lines in the figures show contour and not surface ornamentation.

1 Claim, 10 Drawing Sheets

(56)

References Cited

U.S. PATENT DOCUMENTS

2,178,033 A * 10/1939 Decker B60H 1/00464
165/42
2,589,967 A * 3/1952 Sawyer A47G 19/2261
215/372
2,805,071 A * 9/1957 Kaplan A63B 57/15
473/398
2,908,473 A * 10/1959 Snyder A47G 23/0241
215/376
D248,075 S * 6/1978 Daenen D7/523
4,136,869 A * 1/1979 Tassone A63B 69/0075
473/417
4,316,560 A * 2/1982 Carter B44D 3/128
220/700
D263,715 S * 4/1982 Walter D15/199
4,901,776 A * 2/1990 Attinello B67C 11/02
116/228
D309,241 S * 7/1990 Ayyoubi D23/200
D317,222 S * 6/1991 Dodge D1/102
5,168,908 A * 12/1992 Boyum B67C 11/02
141/331
D359,958 S * 7/1995 Frodelius D14/208
D396,284 S * 7/1998 Schaefer D24/122
5,927,353 A * 7/1999 Persson B65B 39/00
141/331
D426,047 S * 6/2000 Kurtz D1/105
D428,771 S * 8/2000 Novi D7/523
D432,915 S * 10/2000 Smith D9/436
6,131,759 A 10/2000 Young
D436,166 S * 1/2001 Berkey D24/122
6,341,631 B1 1/2002 Hobbs
6,571,976 B1 * 6/2003 Sonnabend B65D 25/24
220/483
6,723,066 B2 * 4/2004 Larsson A61M 1/064
604/74
D506,991 S * 7/2005 Chen D14/204
D564,656 S 3/2008 Matsutori et al.
D591,730 S * 5/2009 Pantaleone D14/216
D606,373 S 12/2009 McCaffery et al.
D617,894 S * 6/2010 Wright A61B 90/40
D24/121

8,196,622 B1 * 6/2012 Fisher B67C 11/02
141/330
8,444,596 B2 * 5/2013 Paterson A61M 1/0072
604/74
D724,055 S * 3/2015 Tice D14/216
D738,169 S 9/2015 Weisenbach
D754,312 S * 4/2016 Ellis D23/355
D814,018 S * 3/2018 Emmenegger D24/109
D815,272 S * 4/2018 Emmenegger D24/109
D822,815 S * 7/2018 Seo D23/356
D847,449 S * 4/2019 Viera D34/2
2010/0183490 A1 7/2010 Hoke et al.
2010/0230920 A1 9/2010 Thibault
2010/0324477 A1 * 12/2010 Paterson A61M 1/06
604/74
2011/0301532 A1 * 12/2011 Wach A61M 1/06
604/74
2012/0071981 A1 3/2012 Farley et al.
2013/0192711 A1 8/2013 Sessler
2016/0331879 A1 * 11/2016 Dann A61M 1/064
2017/0095600 A1 * 4/2017 Sherman A61M 39/105

OTHER PUBLICATIONS

Catalytic Exhaust Products Ltd., Diesel Particulate Filters At Great Prices!, brochure downloaded Jul. 24, 2017 from the world wide web at <https://www.catalyticexhaust.com/product/diesel-particulate-filters/maintenance-filters> (3 pages).
DES Blowout Box (FTM BB002), DPF Cleaning Equipment, brochure downloaded Nov. 22, 2017 from the world wide web at <https://www.dpfpartsdirect.com/collections/cleaning-equipment/products/blowout-box-des-bb002> (2 pages).
Detroit Diesel Corporation, Detroit Service Information Bulletin, Diesel Oxidation Catalyst Air Cleaning, Feb. 23, 2016 (9 pages).
FSX Equipment Inc., Diesel Particulate Filter Cleaning Equipment, brochure (3 pages), Jun. 10, 2009.
Hands on Tools Mechanic & Body Shop Tools & Supplies, OCT 5286 Portable Diesel Particulate Filter DPF, brochure Downloaded Nov. 22, 2017 from the world wide web at https://www.handsontools.com/OTC-5286-Portable-Diesel-Particulate-Filter-DPF-Cleaner_p_101531.html (3 pages).
Nett Technologies Inc., Diesel Oxidation Catalysts, Your diesel engine emission control just got easier!, brochure and specification sheets downloaded Jul. 24, 2017 from the world wide web at <https://www.nettinc.com/wp-content/uploads/docs/diesel-oxidation-catalyst-brochure-DOC.pdf> (2 pages).
OTC Tool Company, OTC Tools and SPX, OTC 5280 Diesel Particulate Filter Cleaner, brochure and specification sheets downloaded Nov. 22, 2017 from the world wide web at [http://s7d9.scene7.com/is/content/GenuinePartsCompany/1437908pdf?SPDF\\$](http://s7d9.scene7.com/is/content/GenuinePartsCompany/1437908pdf?SPDF$), 2010 (4 pages).
Medela, PersonlFit Breast Shields 21 mm—box of 2, Item #87072, downloaded from the world wide web at <http://www.medelabreastfeedingus.com/products/196/personal-fit-breastshields-21mm-small#!Works-With> on Mar. 28, 2019.

* cited by examiner

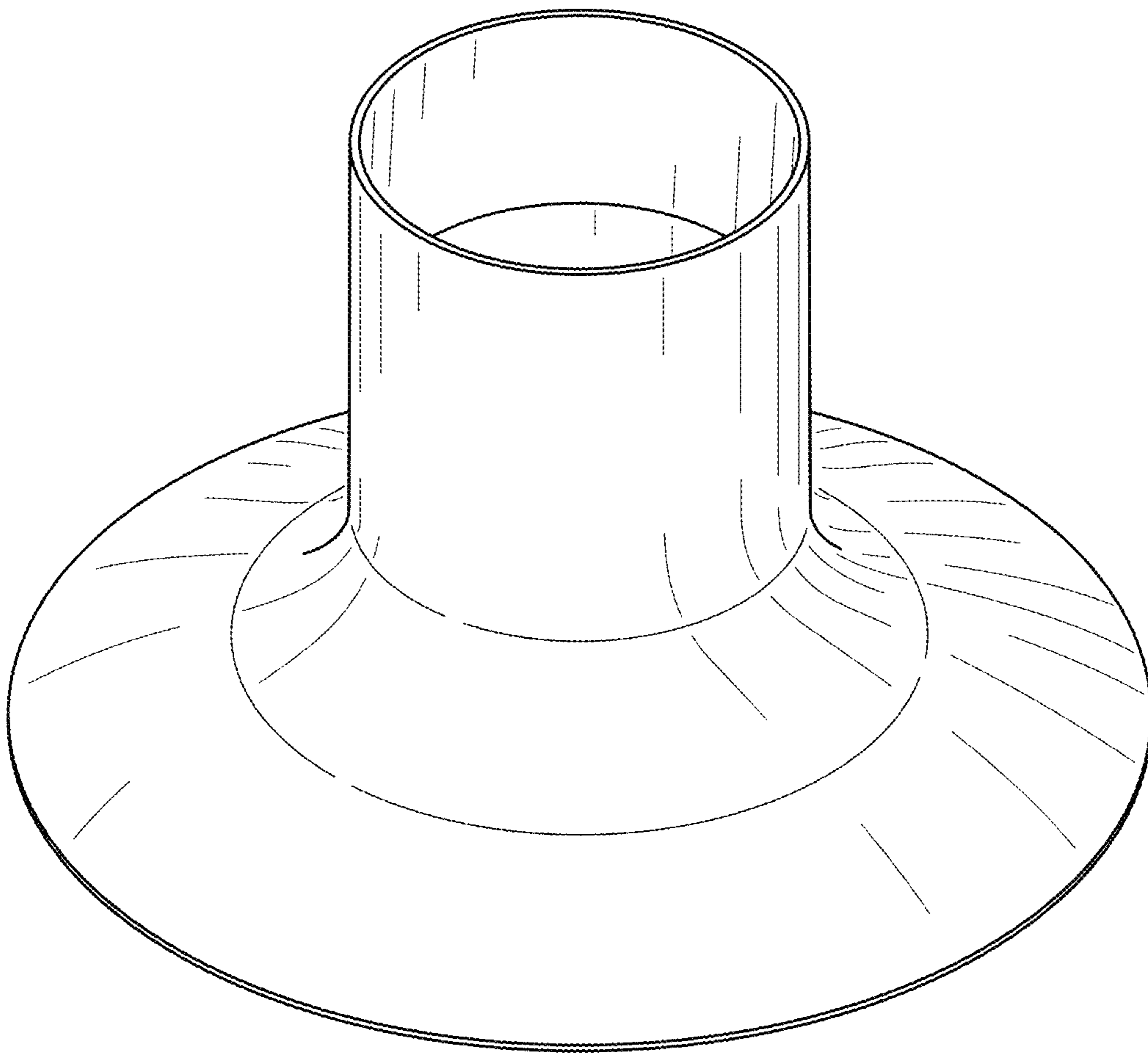


FIG. 1

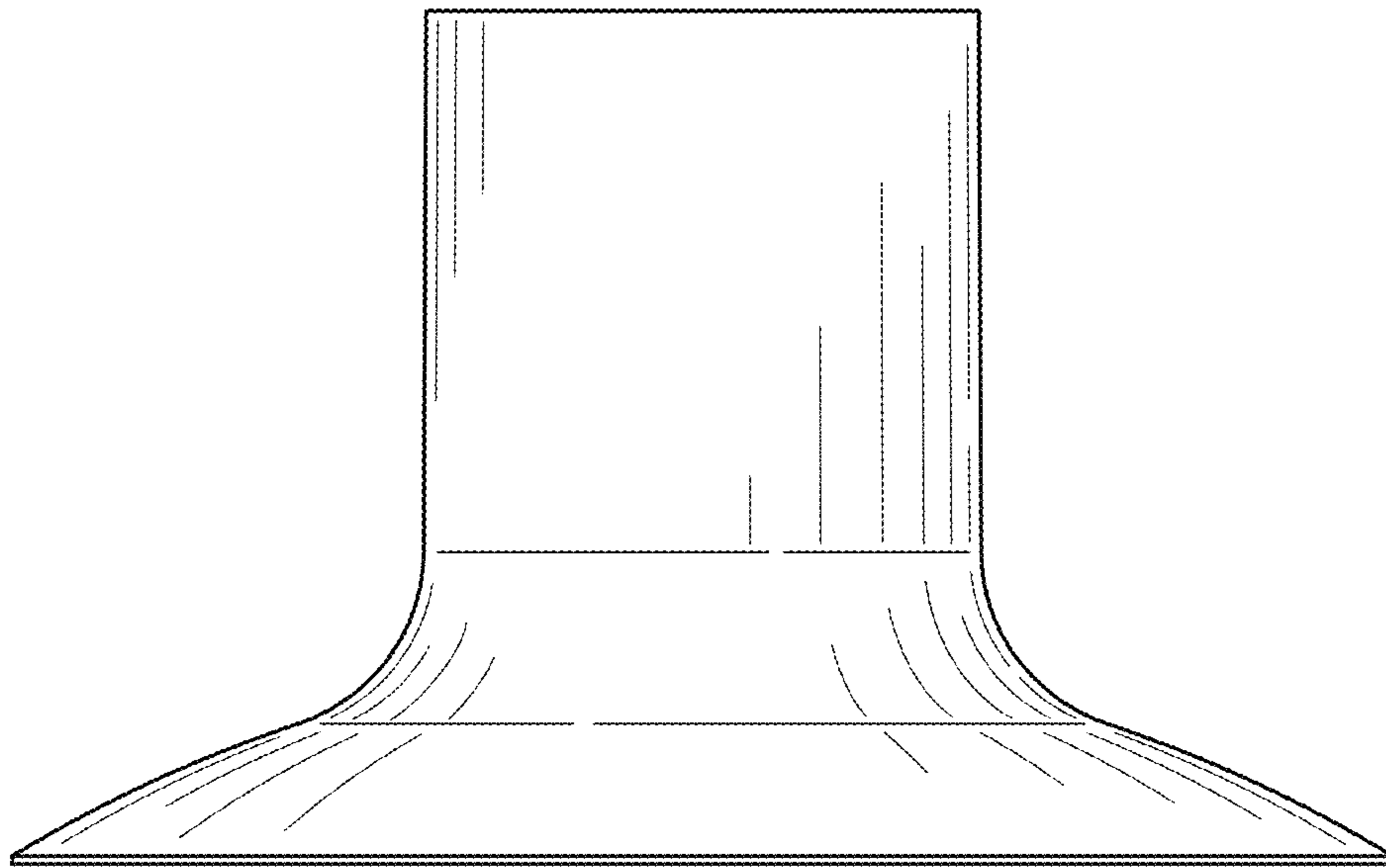


FIG. 2

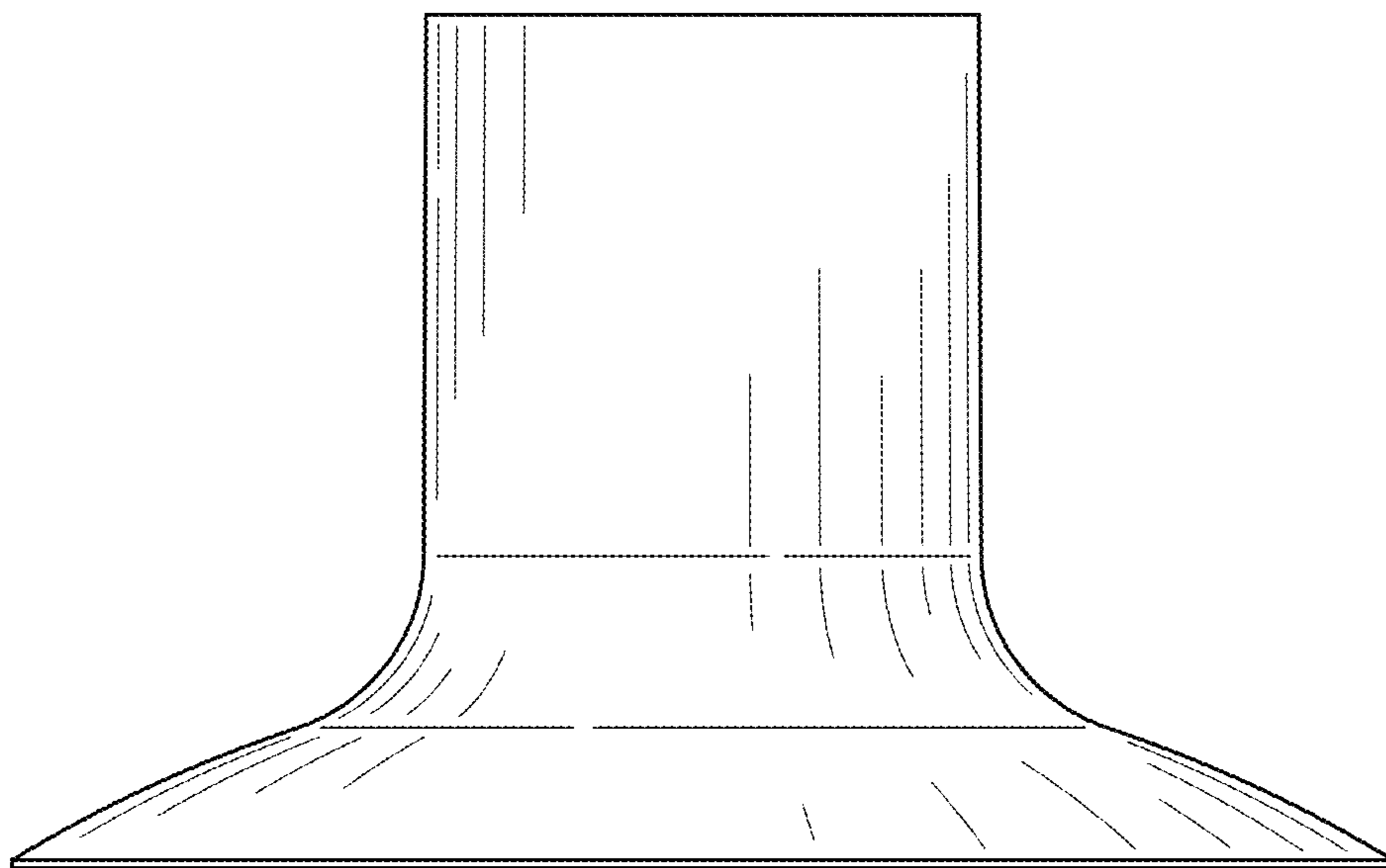


FIG. 3

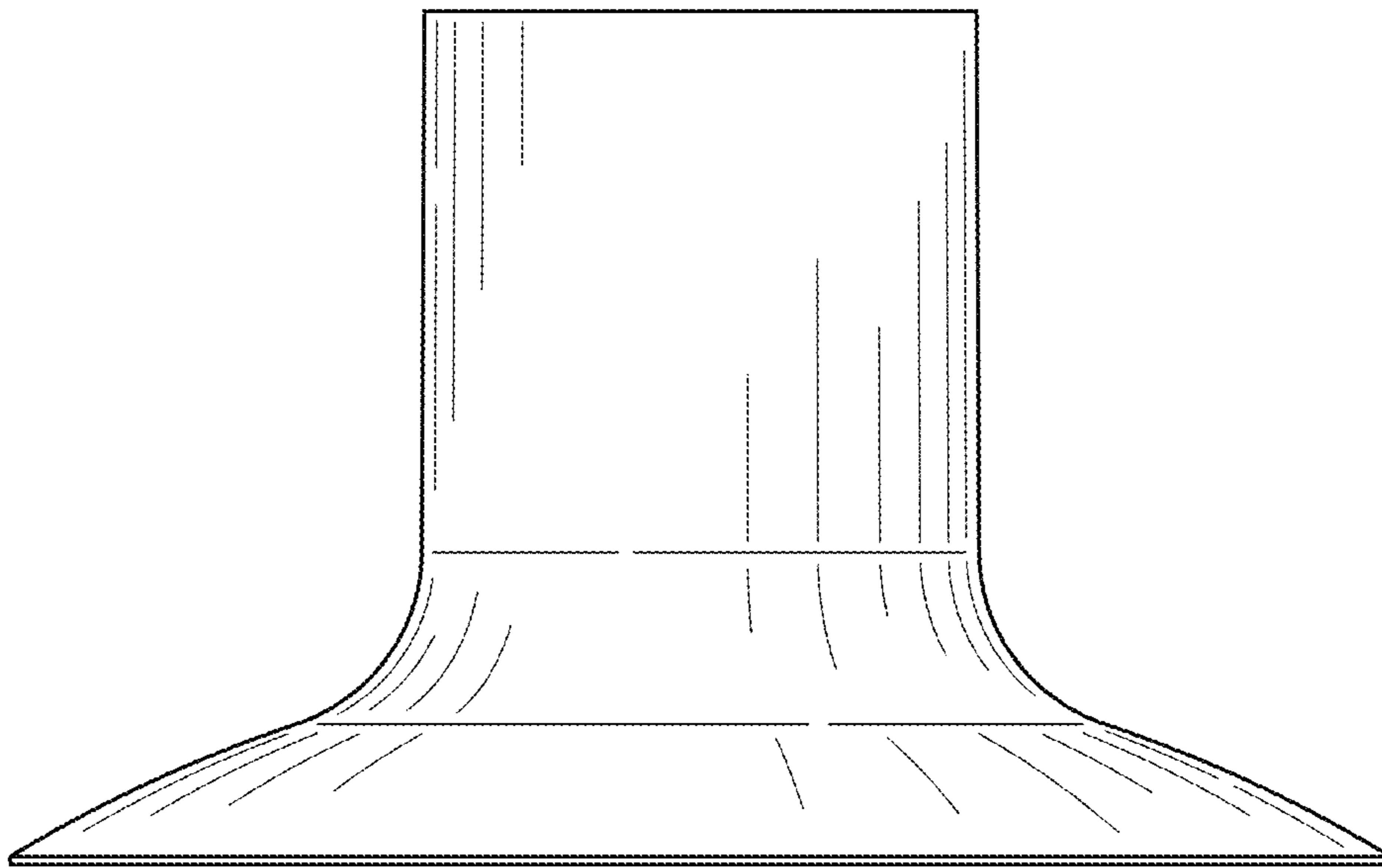


FIG. 4

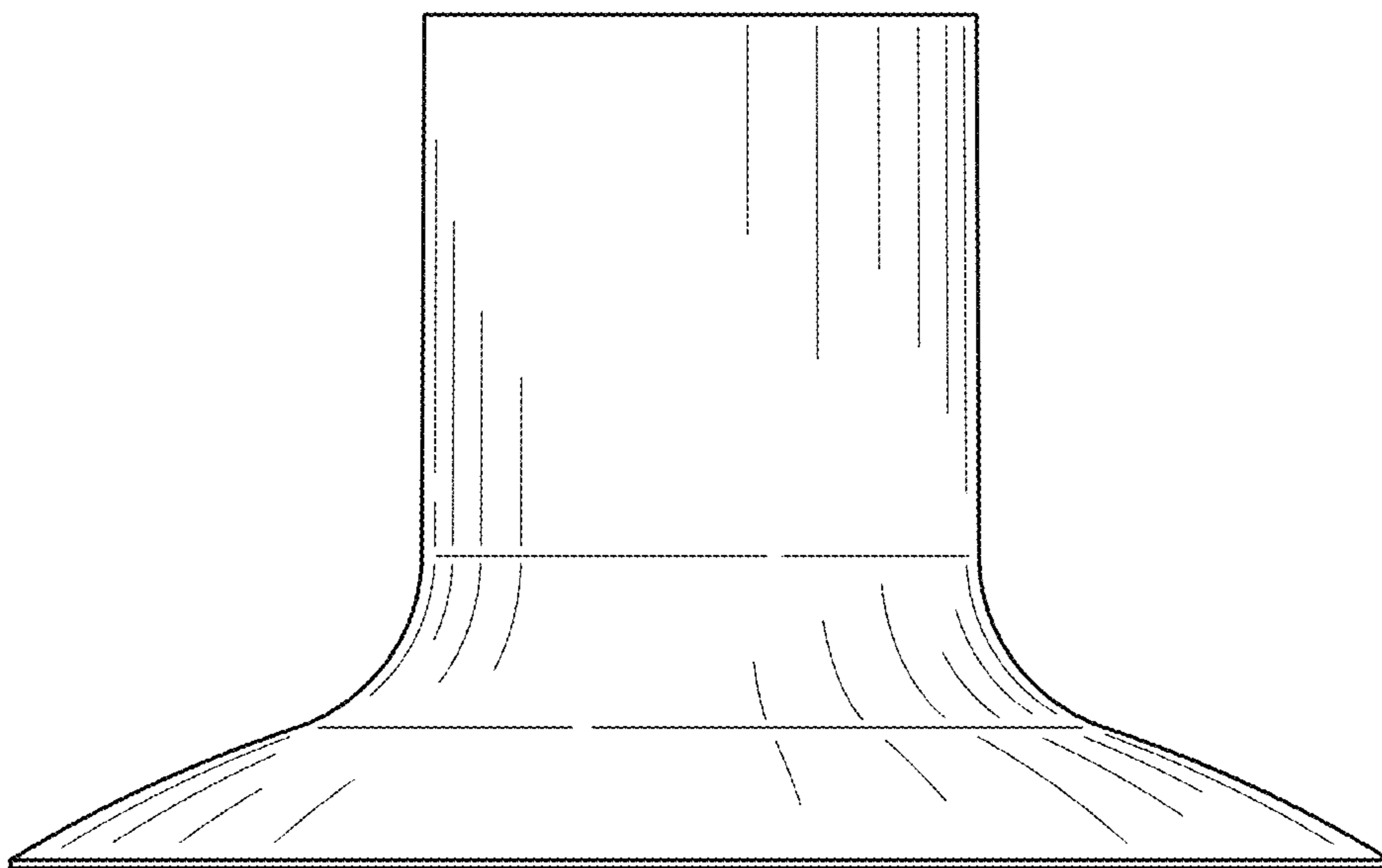


FIG. 5

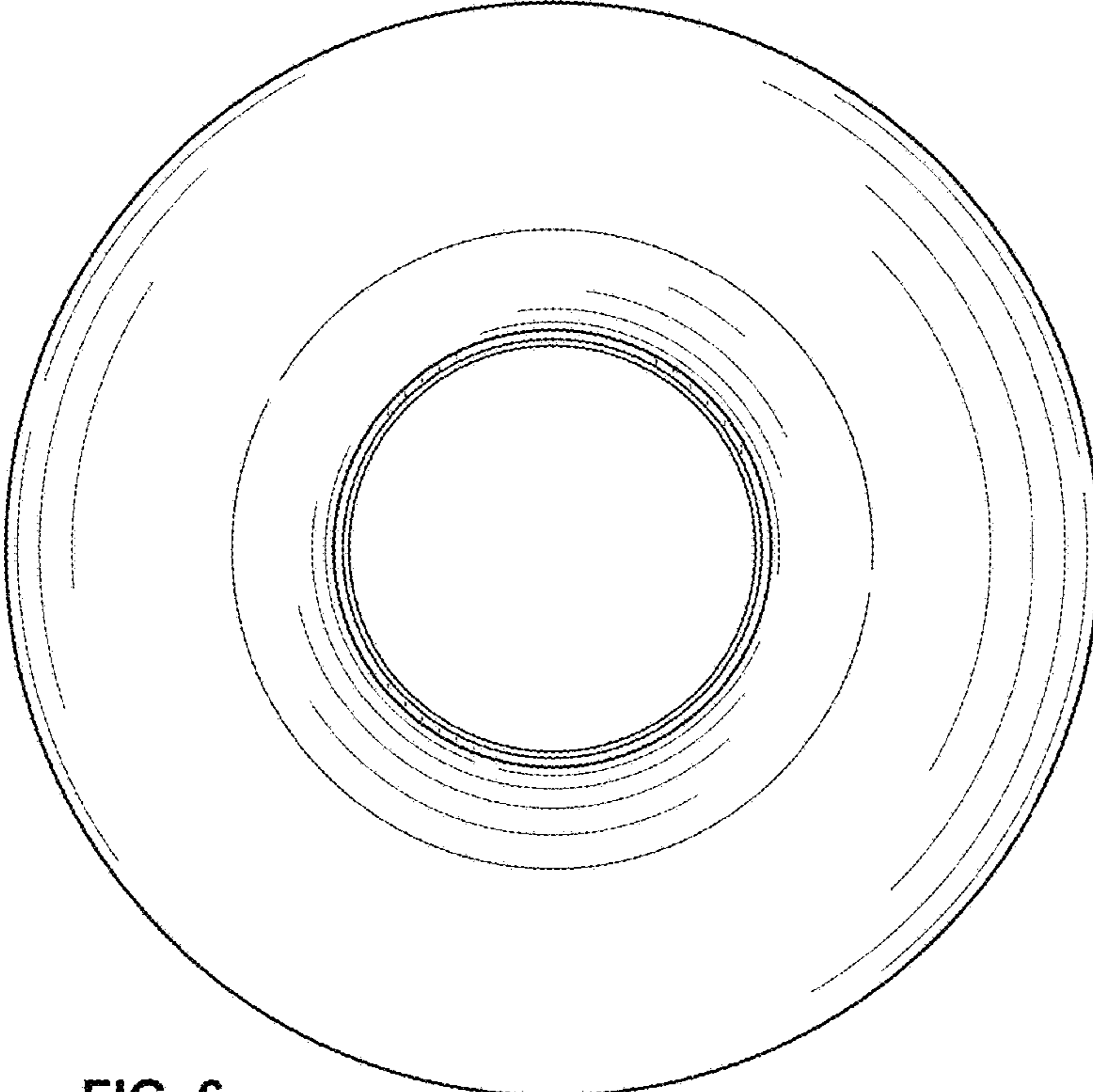


FIG. 6

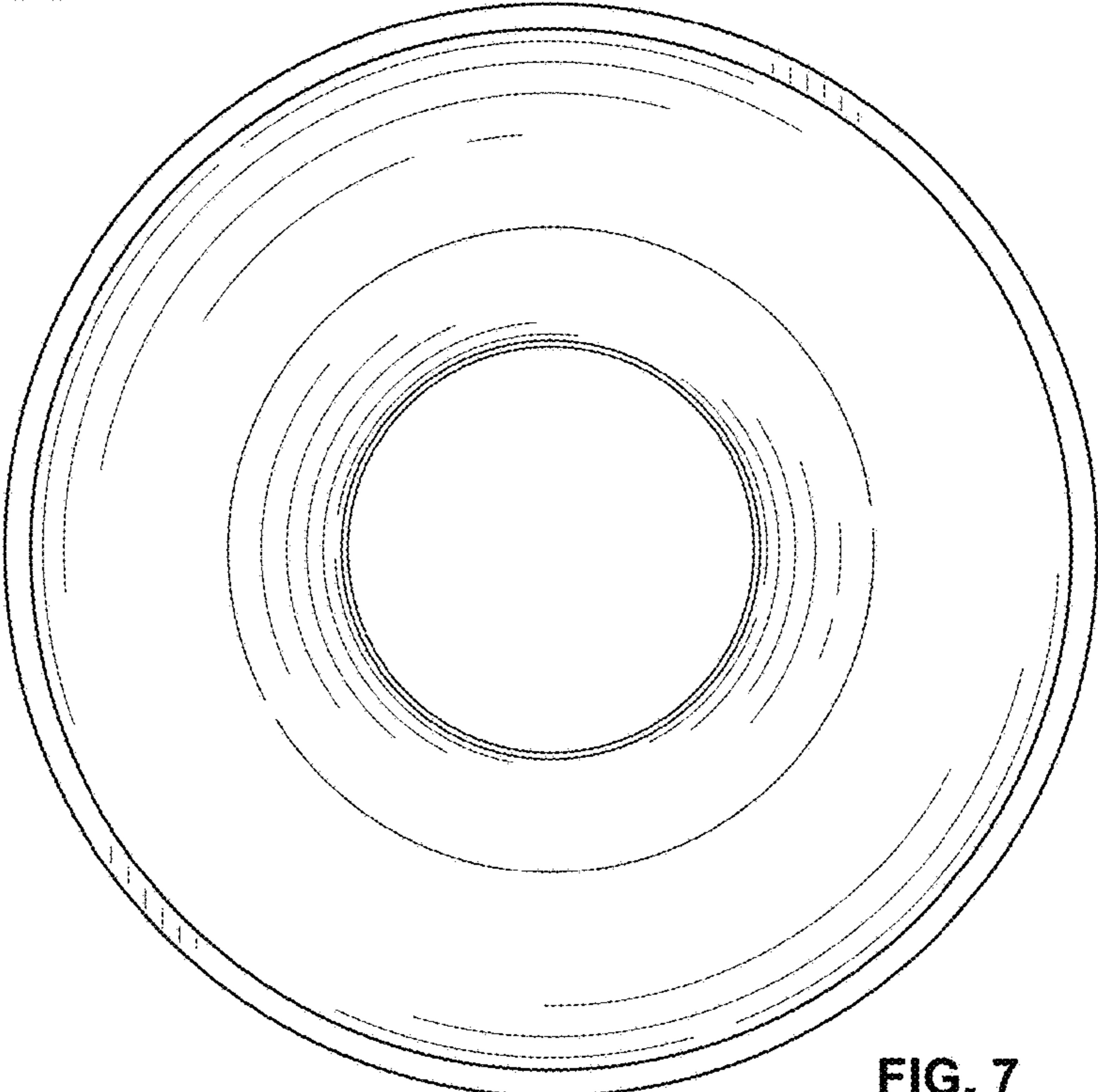


FIG. 7

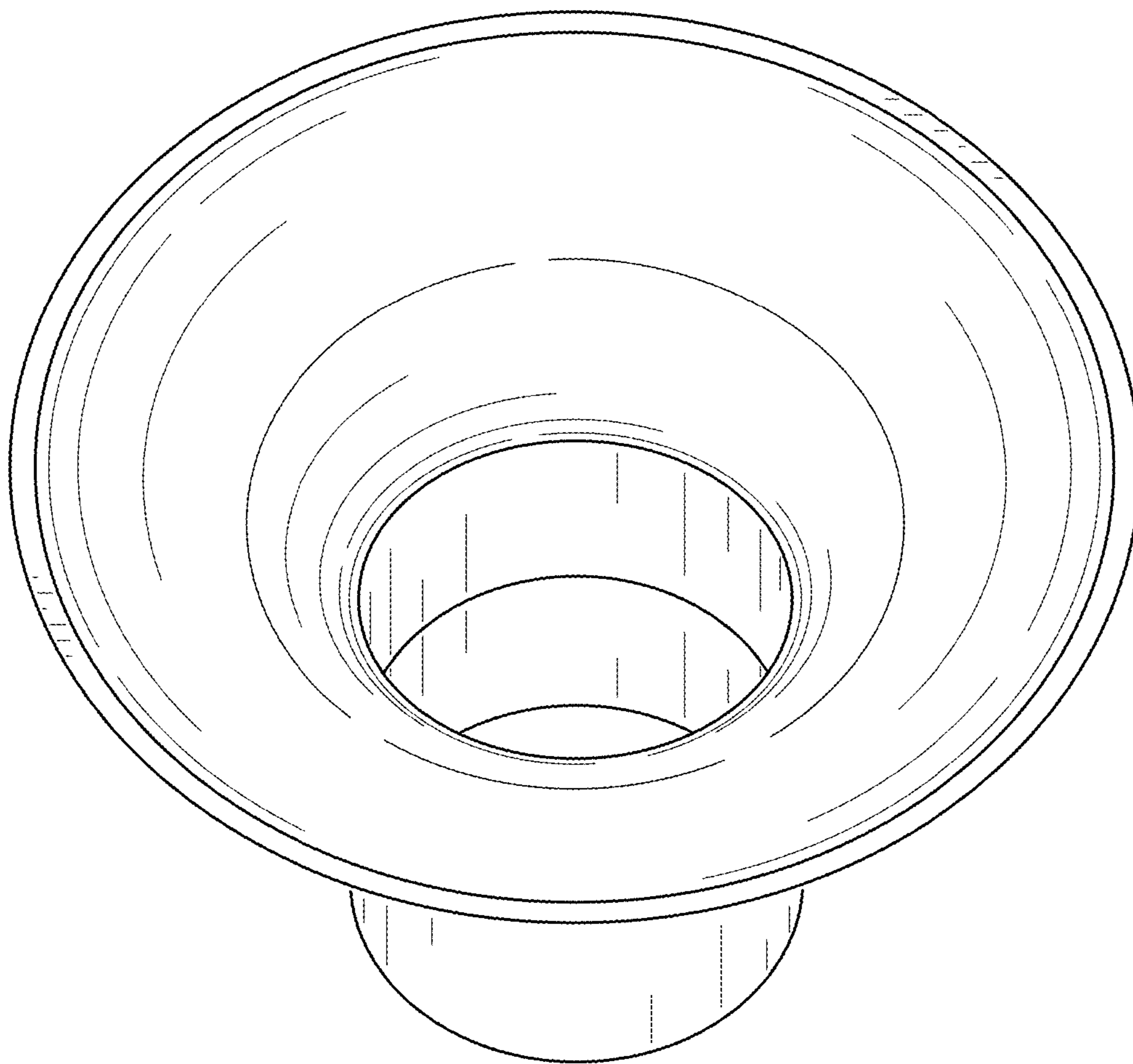


FIG. 8

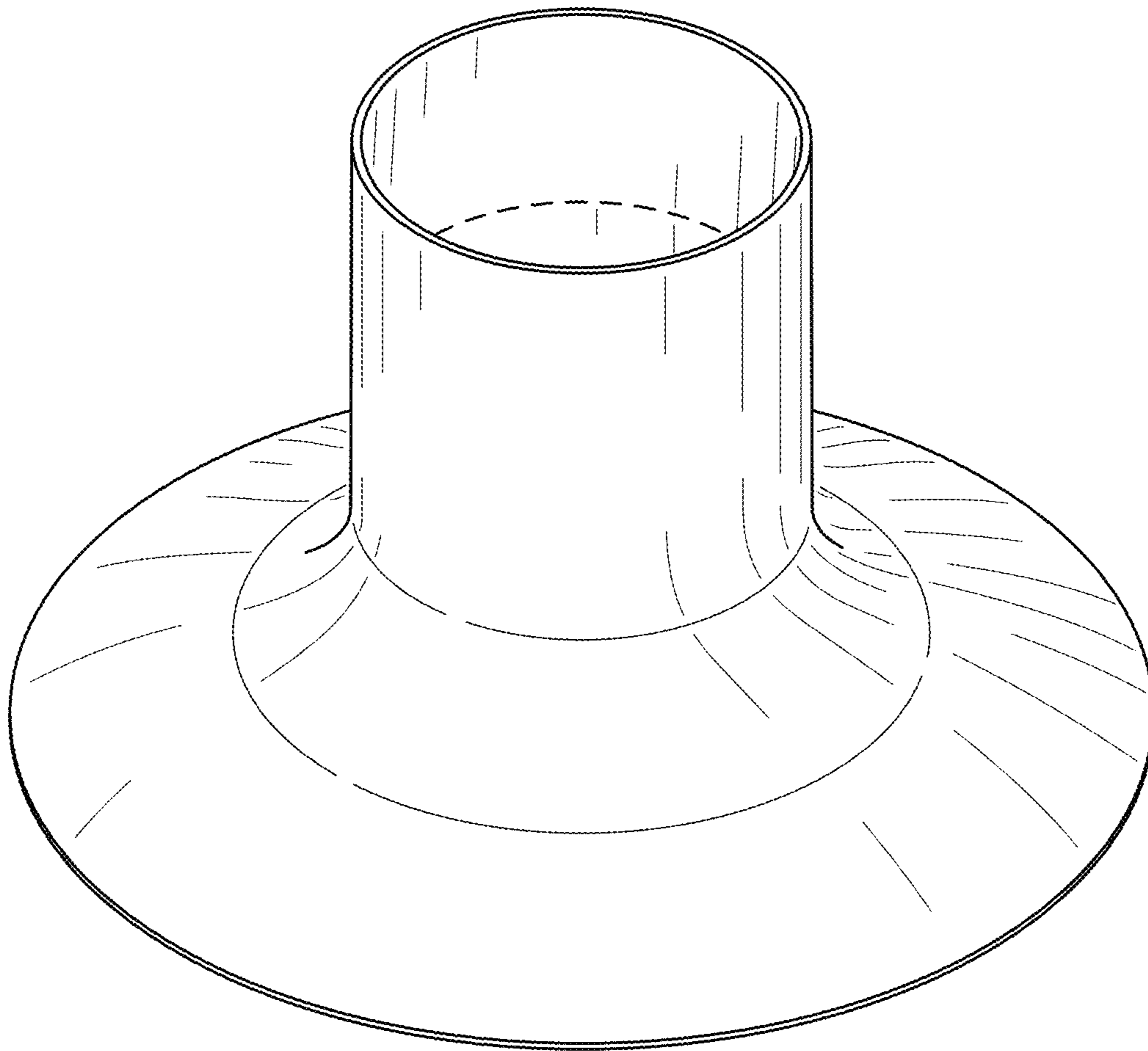


FIG. 9

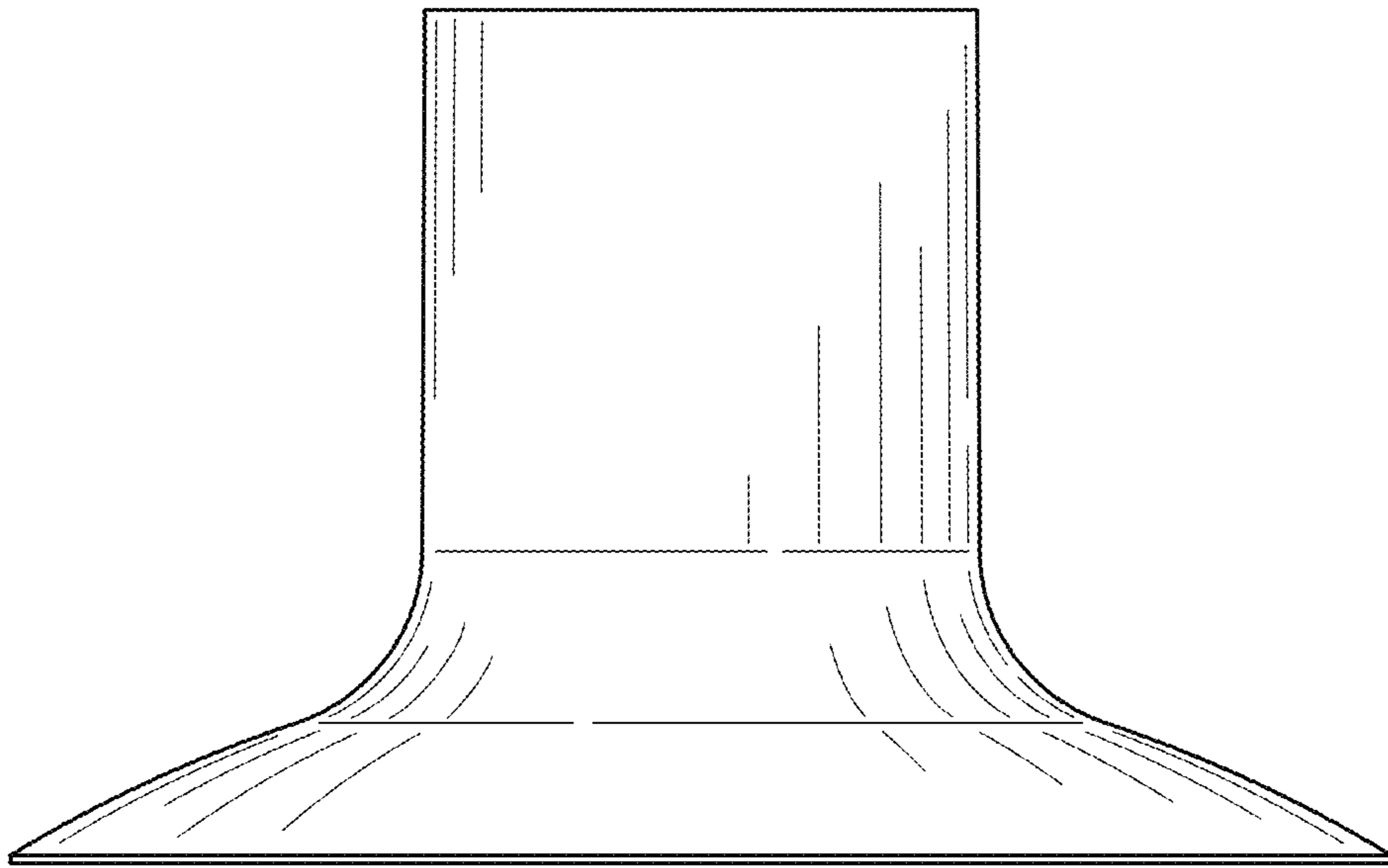


FIG. 10

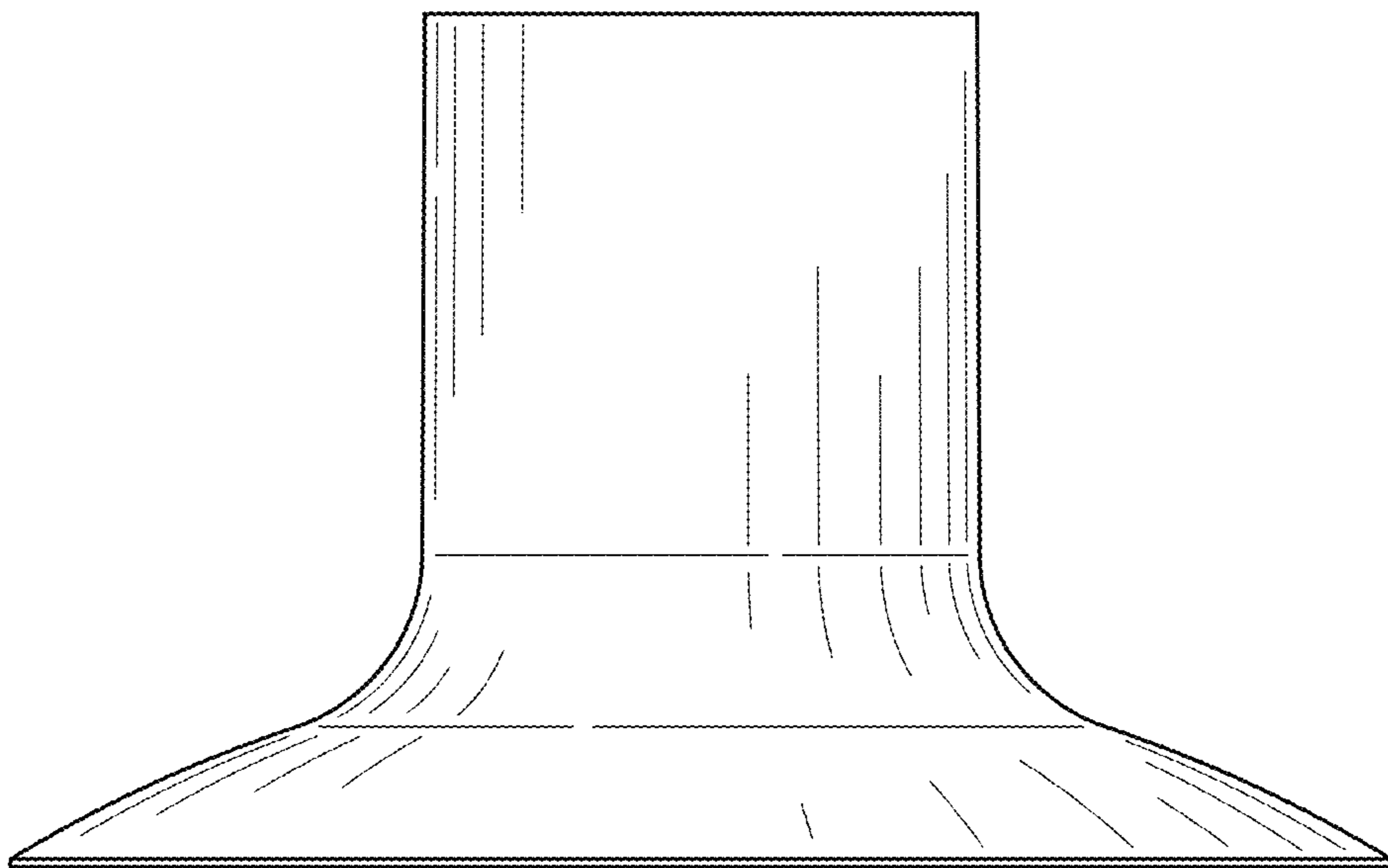


FIG. 11

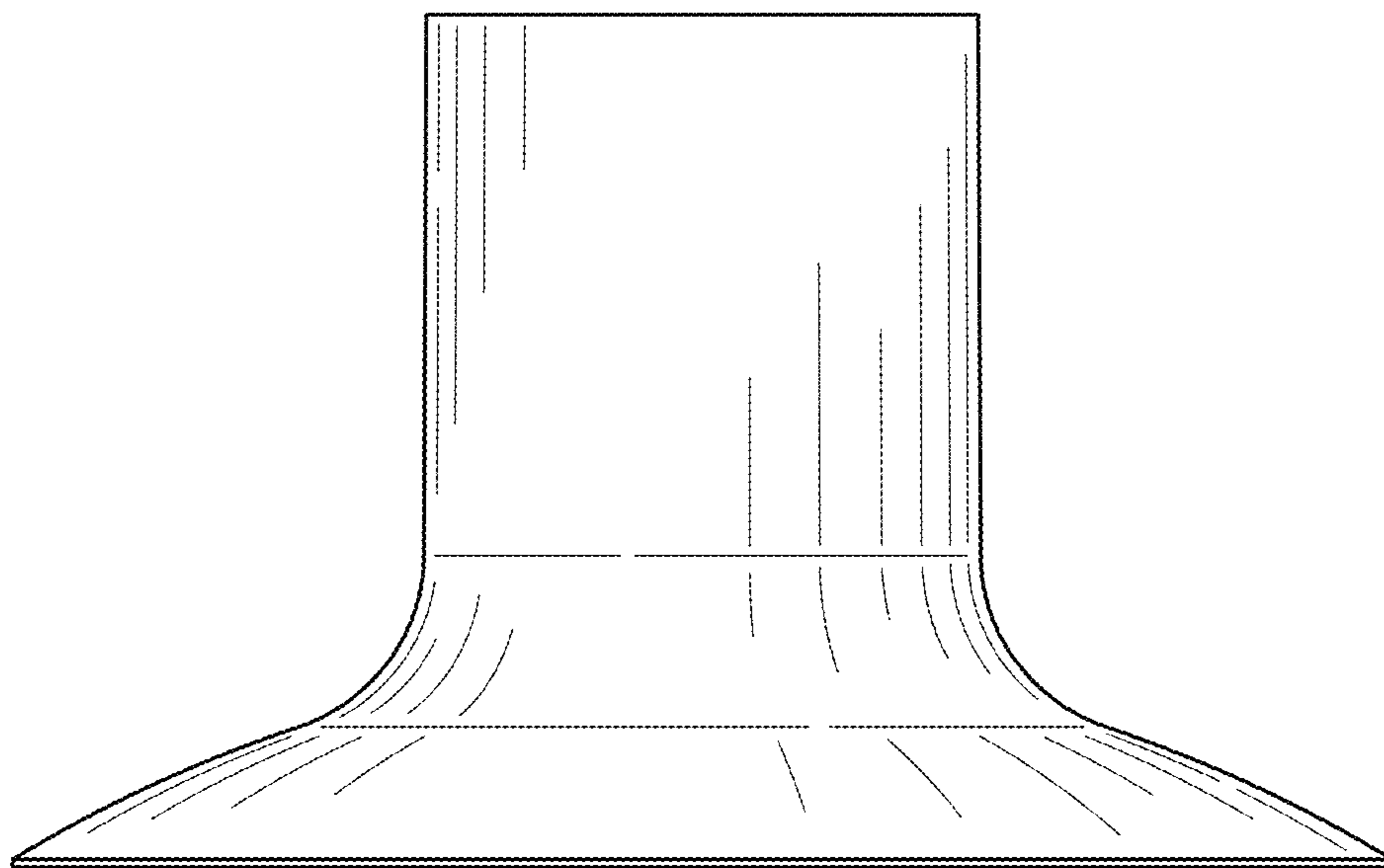


FIG. 12

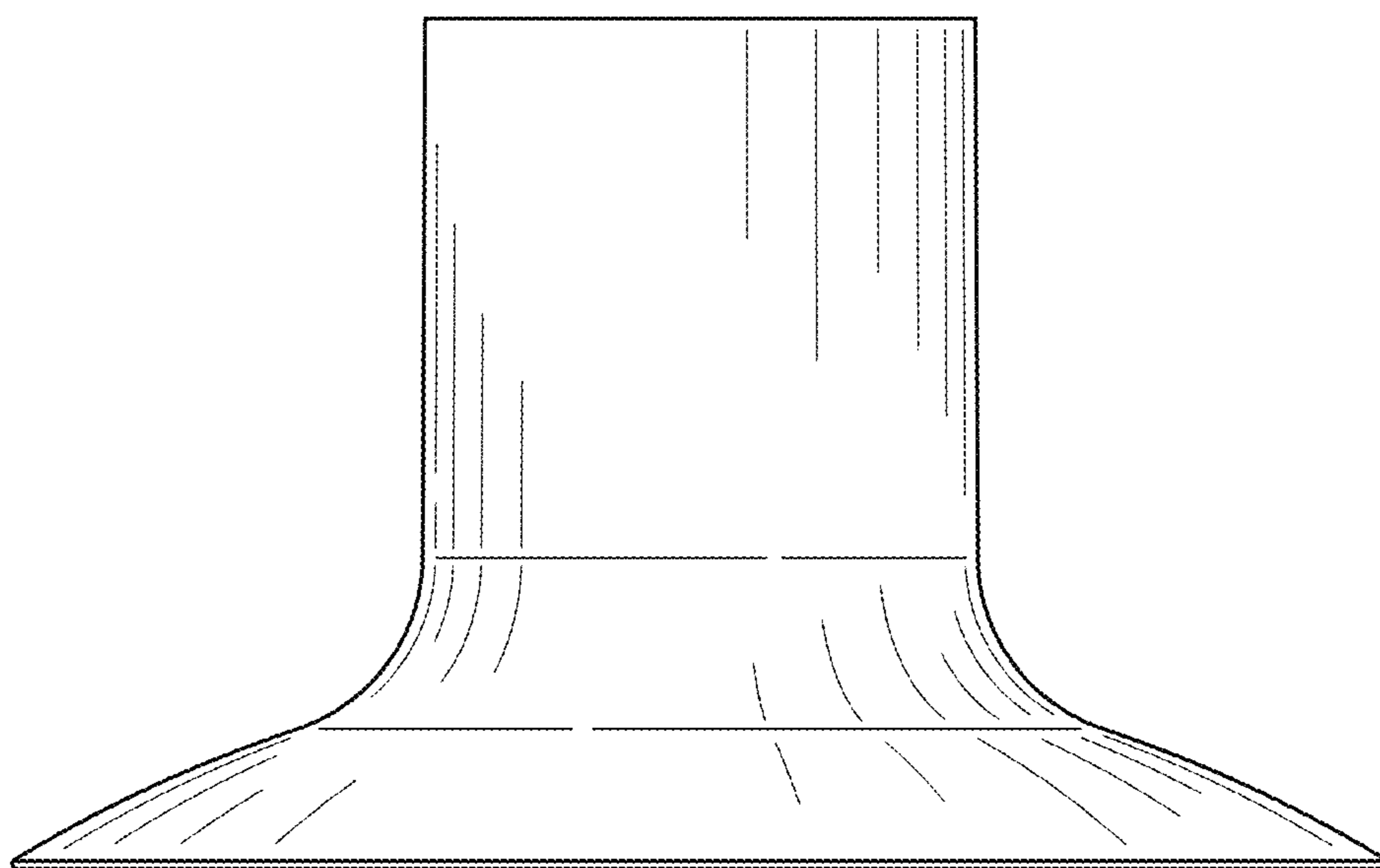


FIG. 13

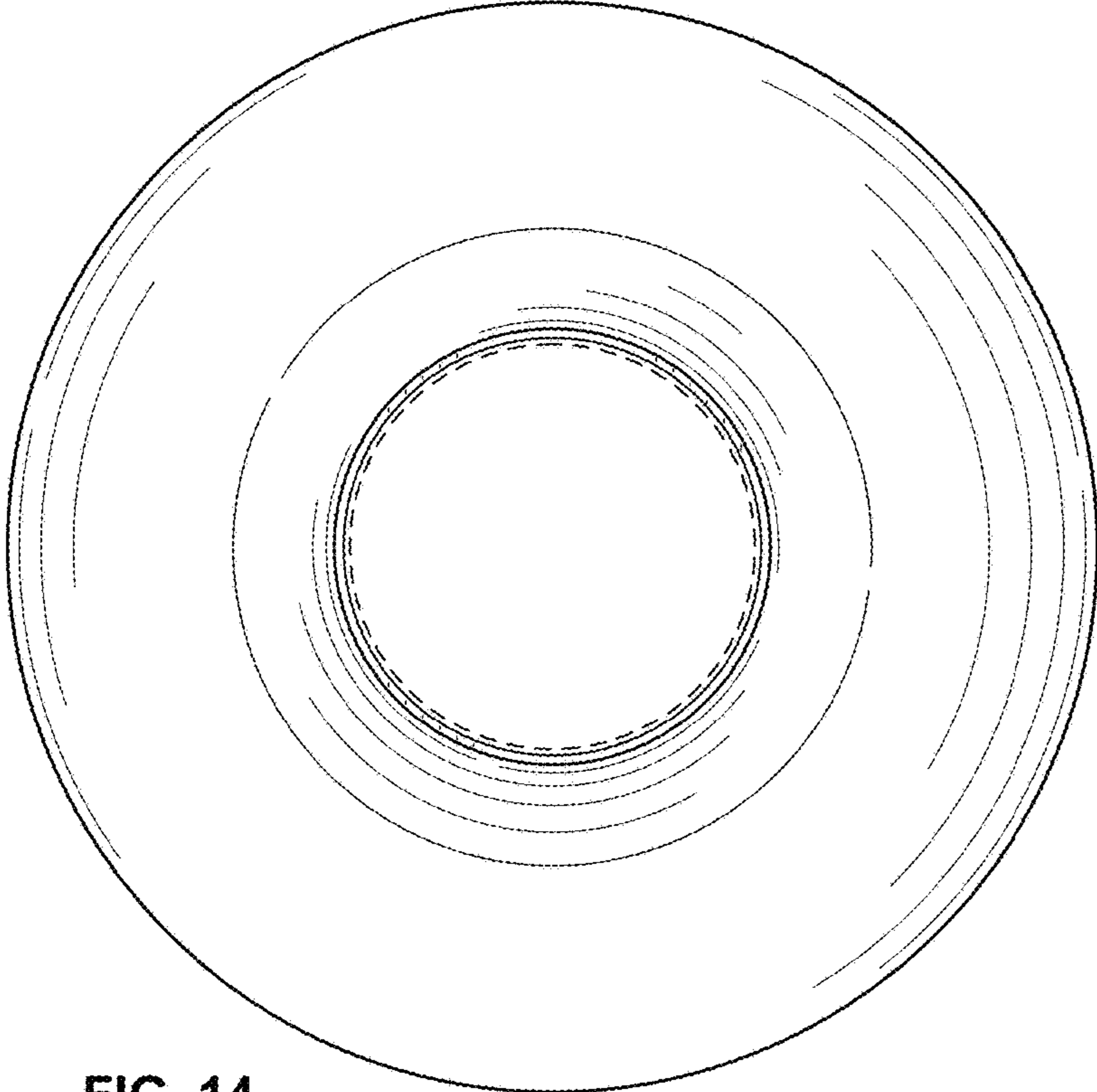


FIG. 14

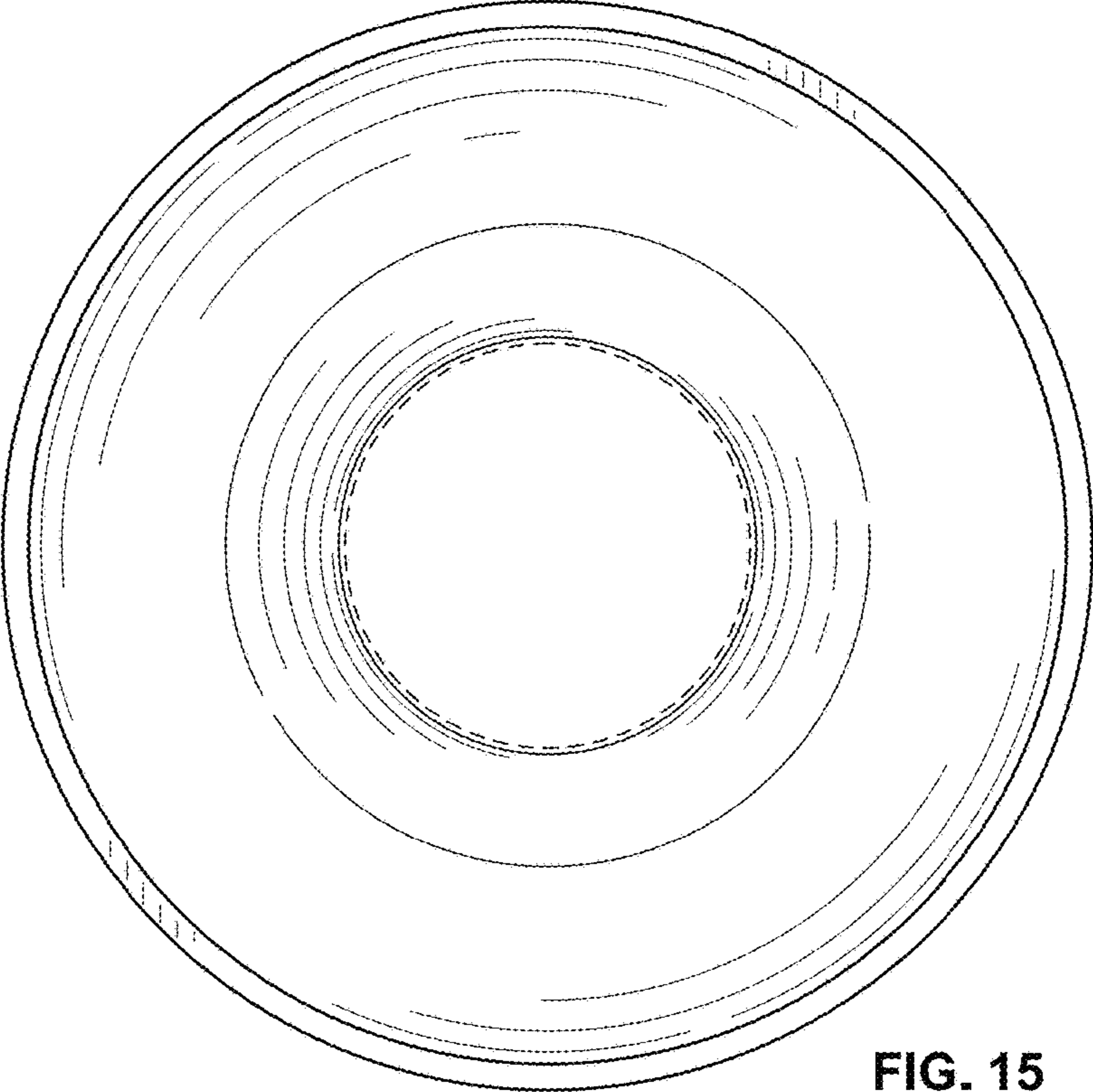


FIG. 15

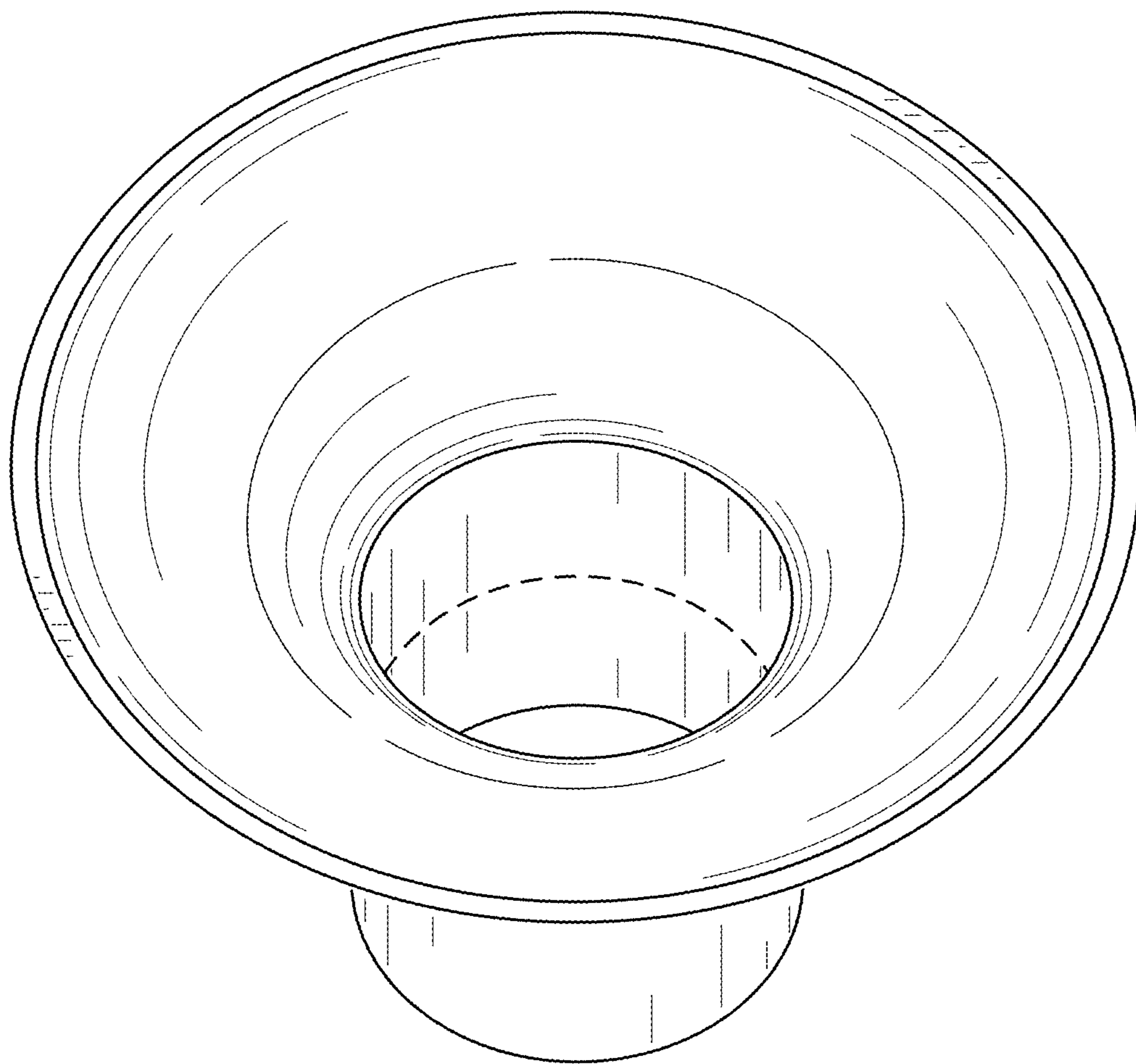


FIG. 16