



US00D863191S

(12) **United States Design Patent**
Han

(10) **Patent No.:** **US D863,191 S**

(45) **Date of Patent:** **** Oct. 15, 2019**

(54) **AUTOMOTIVE WHEEL**

(71) Applicant: **Donnie Han**, Corona, CA (US)

(72) Inventor: **Donnie Han**, Corona, CA (US)

(**) Term: **15 Years**

(21) Appl. No.: **29/667,477**

(22) Filed: **Oct. 22, 2018**

(51) **LOC (12) Cl.** **12-16**

(52) **U.S. Cl.**
USPC **D12/209**

(58) **Field of Classification Search**
USPC D12/204–213
CPC B60B 7/00; B60B 7/02; B60B 7/04; B60B
7/01; B60B 7/06; B60B 3/02; B60B 3/04;
B60B 3/06; B60B 3/10; B60B 1/00;
B60B 1/08; B60B 1/10; B60B 1/12
See application file for complete search history.

(56) **References Cited**

U.S. PATENT DOCUMENTS

D232,431 S *	8/1974	Kimball et al.	D12/205
D454,826 S *	3/2002	Kaucher	D12/211
D508,884 S *	8/2005	Fridie	D12/209
D569,323 S *	5/2008	Laengerer	D12/211
D725,018 S *	3/2015	Zhao	D12/209
D751,485 S *	3/2016	Chung	D12/209
D761,179 S *	7/2016	Chung	D12/209

D763,773 S *	8/2016	Chung	D12/211
D766,803 S *	9/2016	Giolito	D12/209
D801,251 S *	10/2017	Chung	D12/209
D823,216 S *	7/2018	Chung	D12/209
D823,225 S *	7/2018	Chung	D12/211
D823,768 S *	7/2018	Chung	D12/209
D830,265 S *	10/2018	Chung	D12/209
D830,267 S *	10/2018	Chung	D12/209
D835,560 S *	12/2018	Hilton	D12/209
D837,710 S *	1/2019	Chung	D12/209
D842,192 S *	3/2019	Han	D12/209
D842,796 S *	3/2019	Groth	D12/209
D845,855 S *	4/2019	Chung	D12/209
D845,856 S *	4/2019	Hale, Jr.	D12/209
D845,867 S *	4/2019	Hale, Jr.	D12/213
D847,067 S *	4/2019	Groth	D12/209
D852,704 S *	7/2019	Khachatryan	D12/209

* cited by examiner

Primary Examiner — Stacia A Cadmus

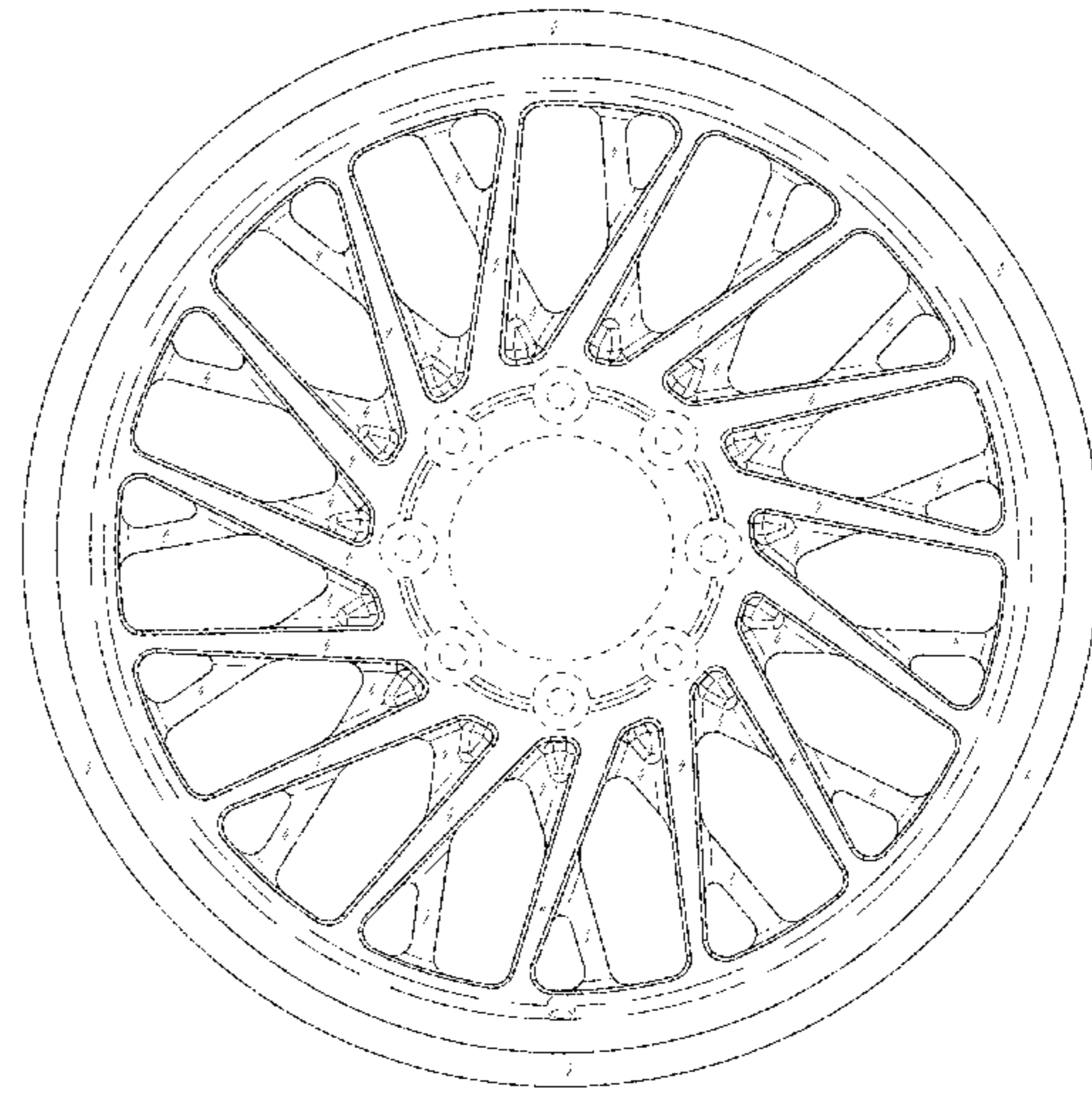
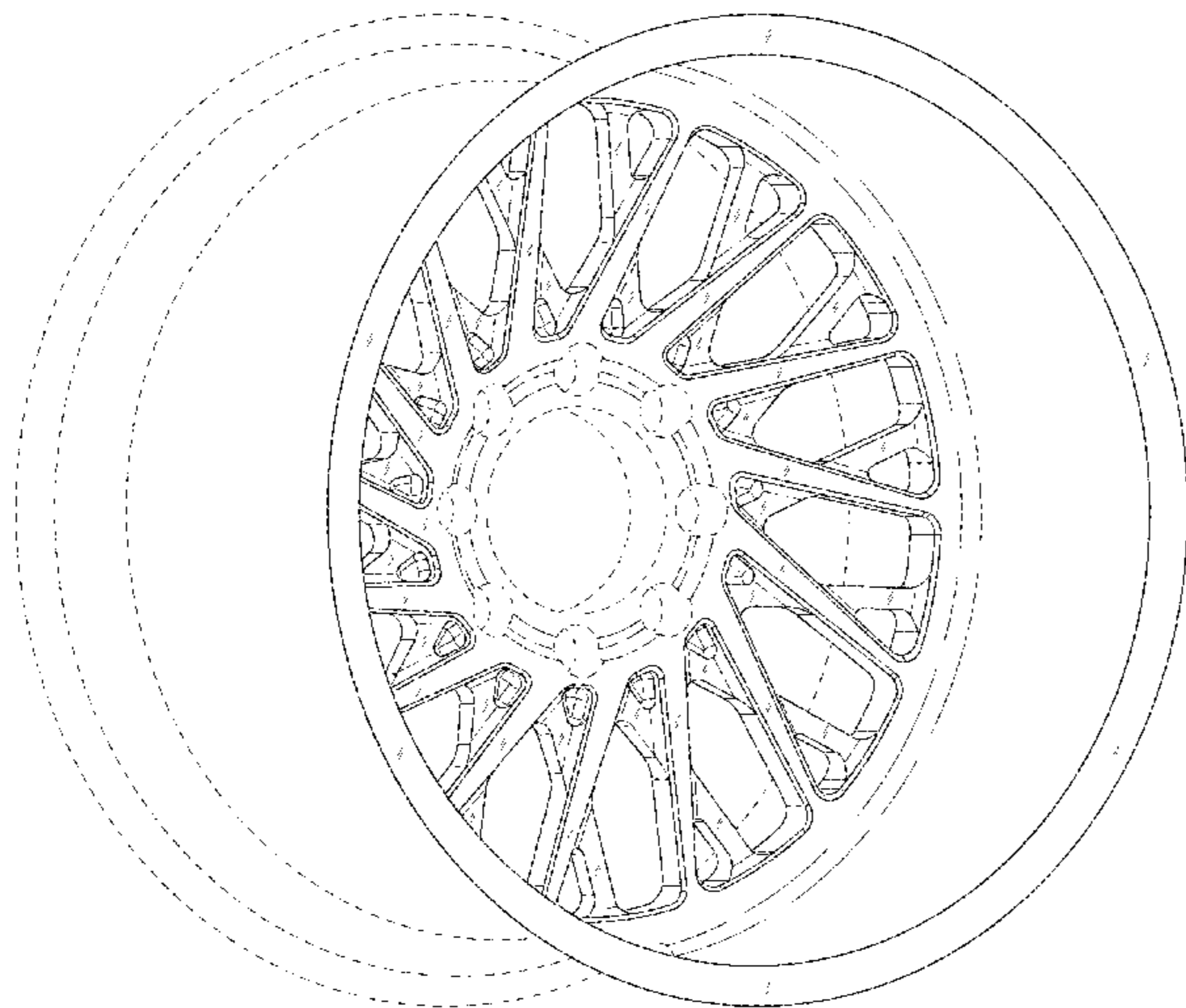
(57) **CLAIM**

The ornamental design for an automotive wheel, as shown and described.

DESCRIPTION

FIG. 1 is a perspective view of an automotive wheel showing my new design; and, FIG. 2 is a front view thereof. In the drawings, the broken lines depict environmental subject matter and form no part of the claimed design.

1 Claim, 2 Drawing Sheets



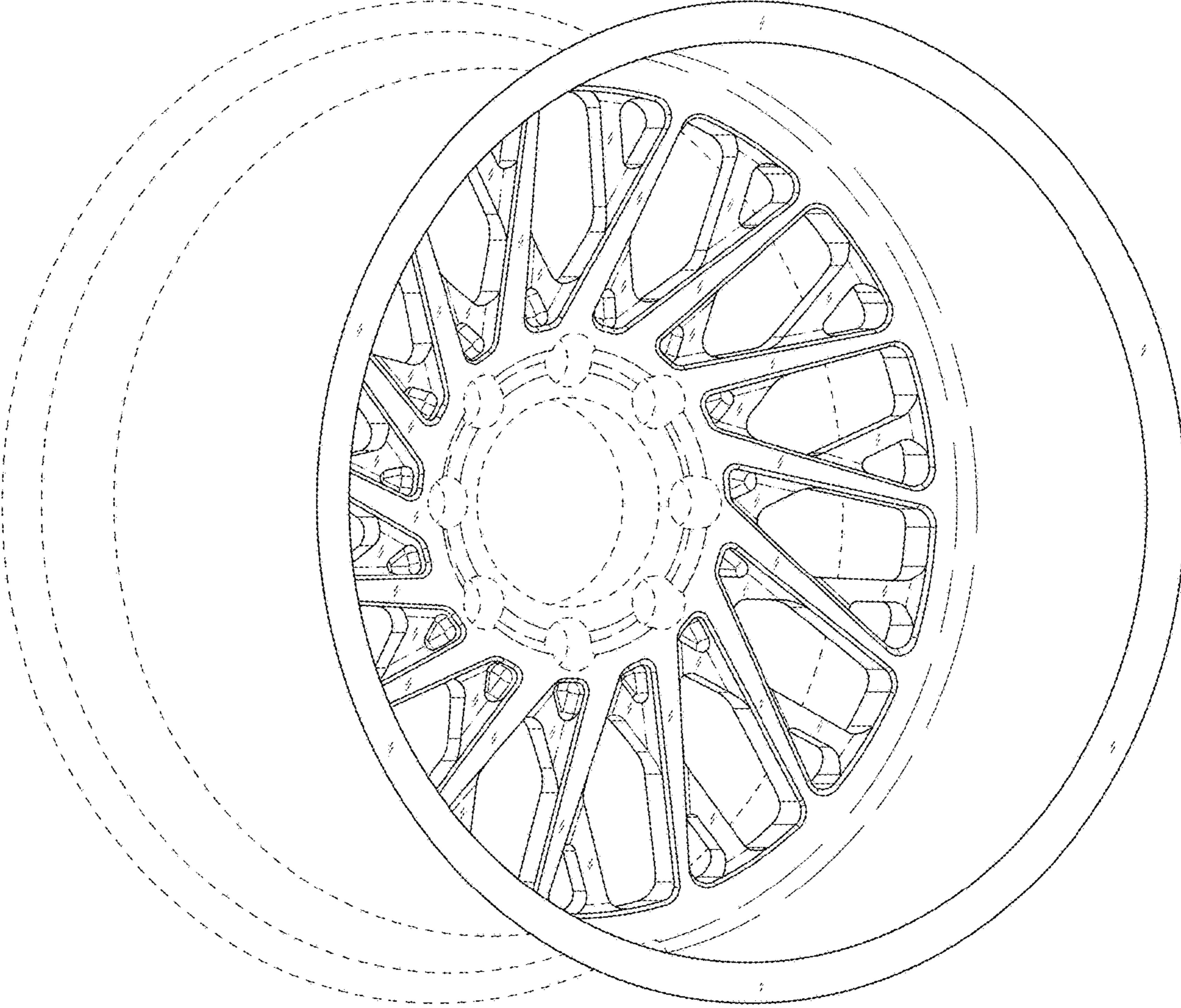


FIG 1

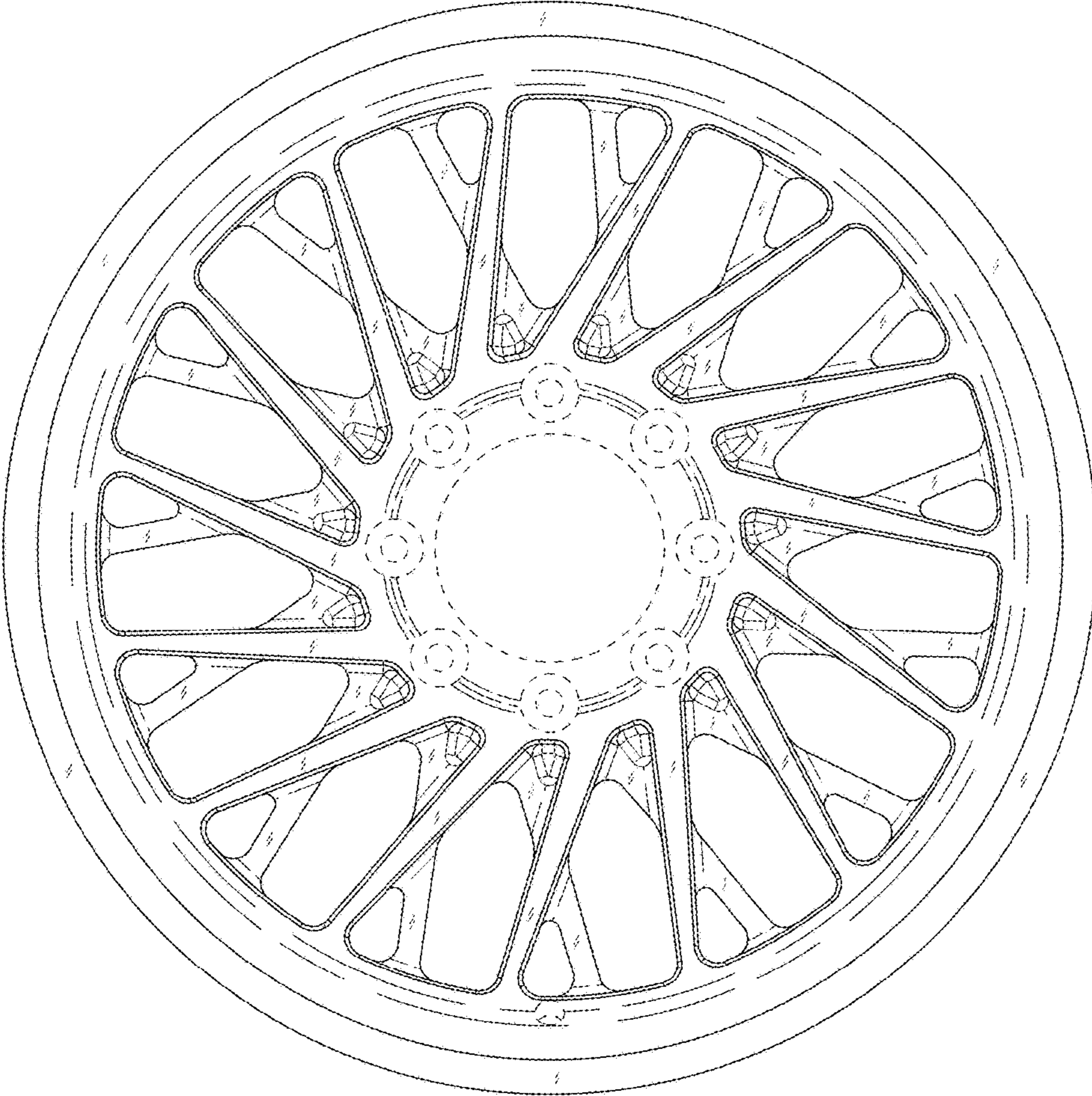


FIG 2