



US00D863183S

(12) **United States Design Patent**  
**Han**

(10) **Patent No.:** **US D863,183 S**

(45) **Date of Patent:** **\*\* Oct. 15, 2019**

(54) **AUTOMOTIVE WHEEL**

(71) Applicant: **Donnie Han**, Corona, CA (US)

(72) Inventor: **Donnie Han**, Corona, CA (US)

(\*\*) Term: **15 Years**

(21) Appl. No.: **29/666,314**

(22) Filed: **Oct. 11, 2018**

(51) **LOC (12) Cl.** ..... **12-16**

(52) **U.S. Cl.**  
USPC ..... **D12/209**

(58) **Field of Classification Search**  
USPC ..... D12/204–213  
CPC .... B60B 7/00; B60B 7/02; B60B 7/04; B60B 7/01; B60B 7/06; B60B 3/02; B60B 3/04; B60B 3/06; B60B 3/10; B60B 1/00; B60B 1/08; B60B 1/10; B60B 1/12  
See application file for complete search history.

(56) **References Cited**

**U.S. PATENT DOCUMENTS**

- D303,949 S \* 10/1989 Nakatsuka ..... D12/211
- D363,911 S \* 11/1995 Chung ..... D12/209
- D400,841 S \* 11/1998 Sacco ..... D12/209
- D442,531 S \* 5/2001 Brintouch ..... D12/204

- D455,701 S \* 4/2002 McMath ..... D12/209
- D701,158 S \* 3/2014 Hodges ..... D12/211
- D708,109 S \* 7/2014 Hodges ..... D12/205
- D744,400 S \* 12/2015 Watanuki ..... D12/209
- D788,002 S \* 5/2017 Bridan ..... D12/209
- D817,843 S \* 5/2018 Hale, Jr. .... D12/209
- D818,410 S \* 5/2018 Hale, Jr. .... D12/209
- D823,225 S \* 7/2018 Chung ..... D12/211
- D840,900 S \* 2/2019 Lickliter ..... D12/211
- D843,299 S \* 3/2019 Hodges ..... D12/209
- D843,300 S \* 3/2019 Hodges ..... D12/209
- D843,914 S \* 3/2019 Ash ..... D12/209
- D846,478 S \* 4/2019 Kovacs ..... D12/209
- D847,071 S \* 4/2019 Kawaguchi ..... D12/209
- D853,305 S \* 7/2019 Valencia Pollex ..... D12/209

\* cited by examiner

*Primary Examiner* — Stacia A Cadmus

(57) **CLAIM**

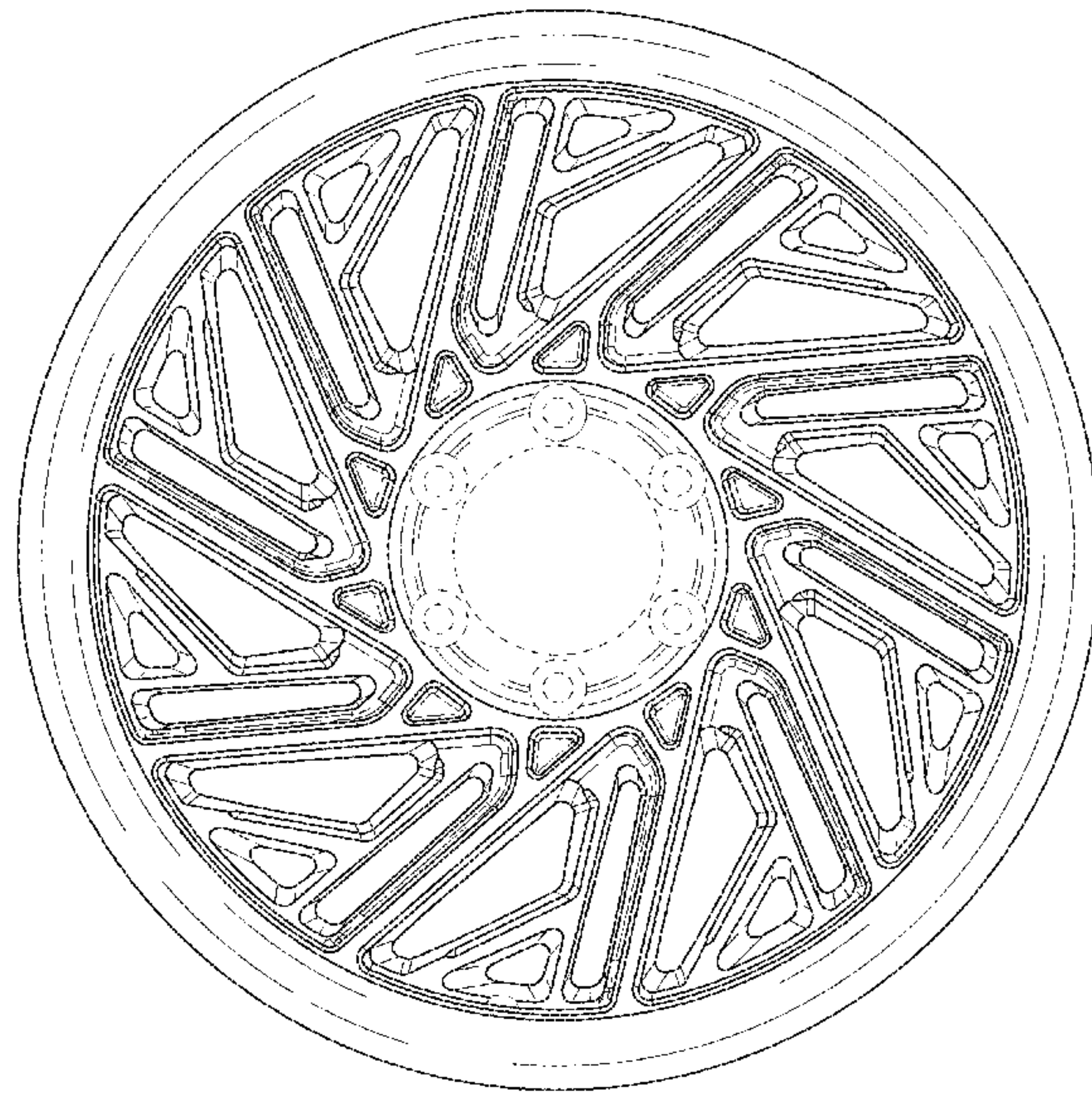
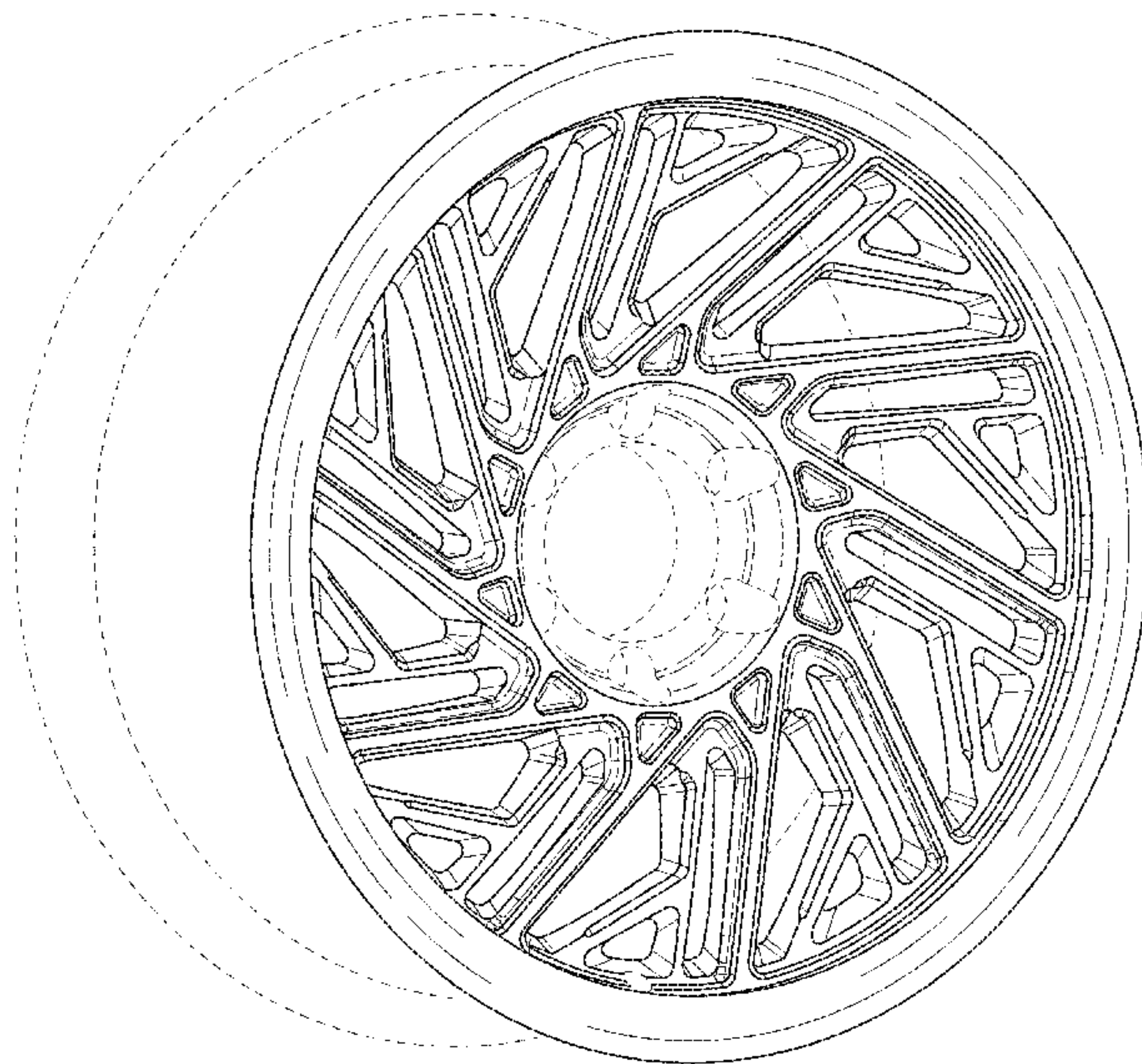
The ornamental design for an automotive wheel, as shown and described.

**DESCRIPTION**

FIG. 1 is a perspective view of an automotive wheel, showing my new design; and, FIG. 2 is a front view thereof.

In the drawings, the broken lines depict environmental subject matter and form no part of the claimed design.

**1 Claim, 2 Drawing Sheets**





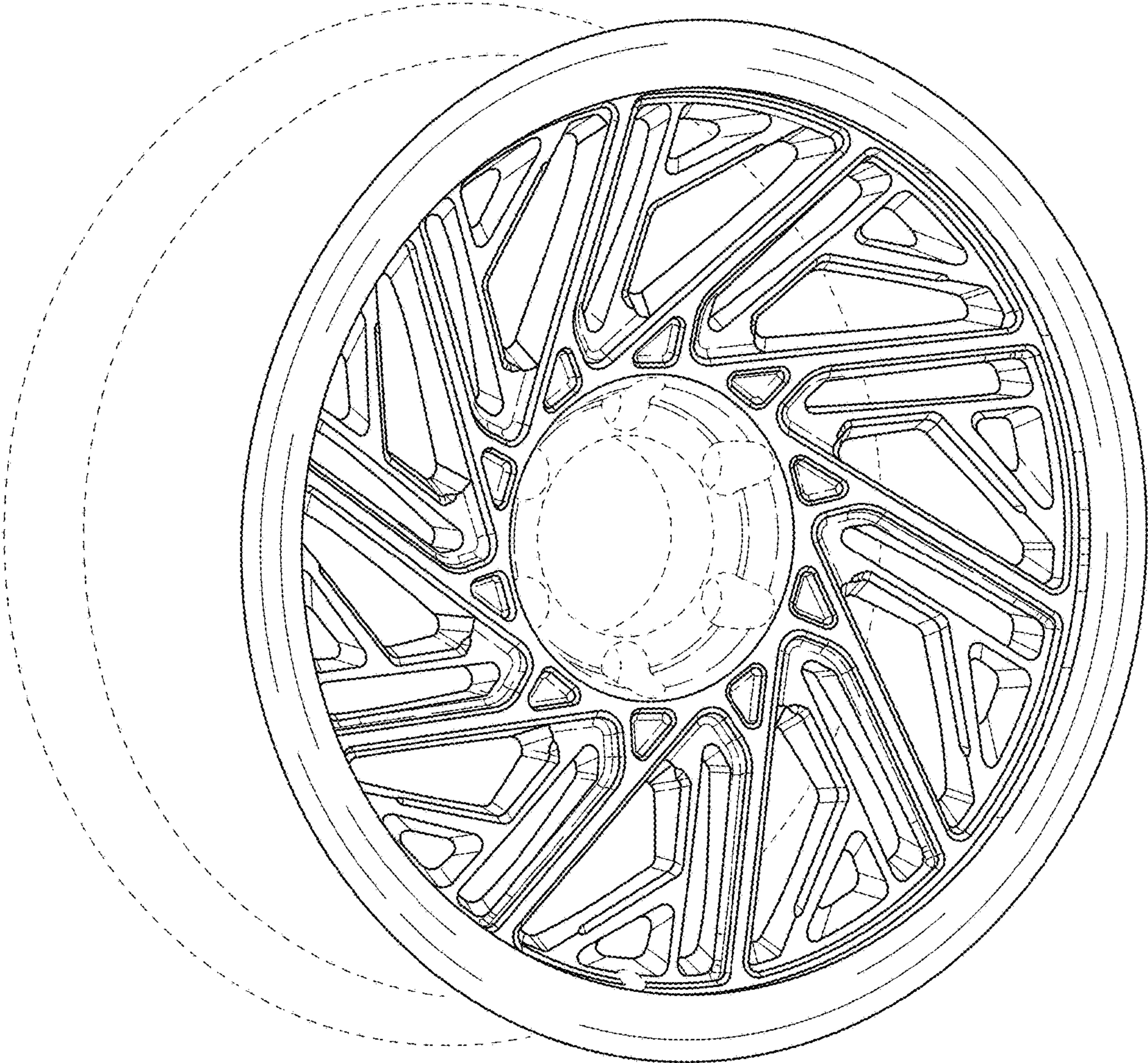


FIGURE 1

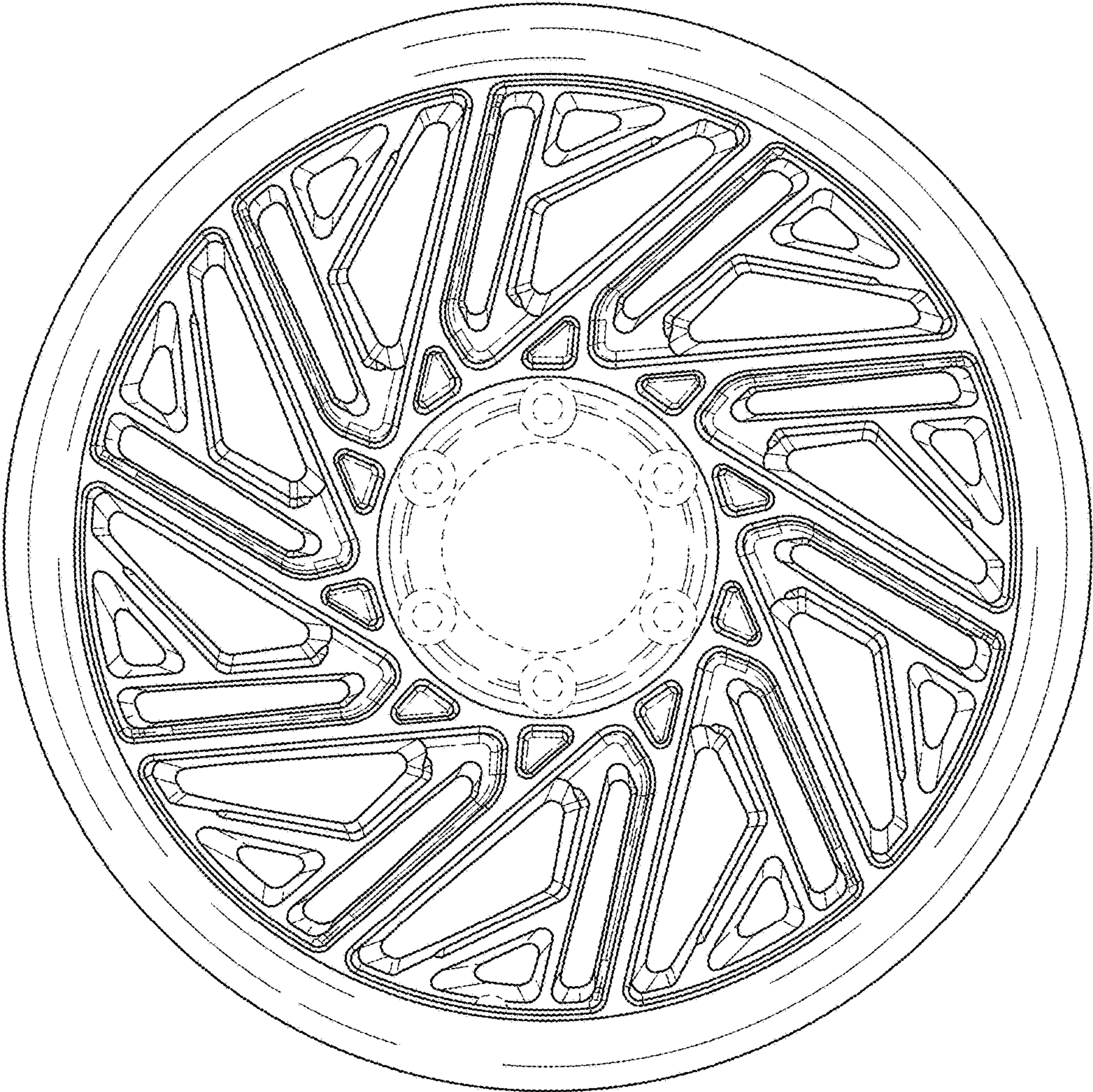


FIGURE 2