

US00D863182S

(12) **United States Design Patent**  
**Han**

(10) **Patent No.:** **US D863,182 S**

(45) **Date of Patent:** **\*\* Oct. 15, 2019**

(54) **AUTOMOTIVE WHEEL**

(71) Applicant: **Donnie Han**, Corona, CA (US)

(72) Inventor: **Donnie Han**, Corona, CA (US)

(\*\*) Term: **15 Years**

(21) Appl. No.: **29/666,290**

(22) Filed: **Oct. 11, 2018**

(51) **LOC (12) Cl.** ..... **12-16**

(52) **U.S. Cl.**  
USPC ..... **D12/209**

(58) **Field of Classification Search**  
USPC ..... D12/204–213  
CPC .... B60B 7/00; B60B 7/02; B60B 7/04; B60B  
7/01; B60B 7/06; B60B 3/02; B60B 3/04;  
B60B 3/06; B60B 3/10; B60B 1/00;  
B60B 1/08; B60B 1/10; B60B 1/12  
See application file for complete search history.

(56) **References Cited**

**U.S. PATENT DOCUMENTS**

D542,193 S *	5/2007	Golden	.....	D12/169
D567,166 S *	4/2008	Bogani	.....	D12/209
D688,190 S *	8/2013	Hodges	.....	D12/211
D695,194 S *	12/2013	Kong	.....	D12/211
D705,715 S *	5/2014	Johnson	.....	D12/209
D719,891 S *	12/2014	Johnson	.....	D12/209
D726,088 S *	4/2015	Hodges	.....	D12/211
D726,089 S *	4/2015	Hodges	.....	D12/211

D751,481 S *	3/2016	Chung	.....	D12/209
D760,138 S *	6/2016	Henderson	.....	D12/209
D763,774 S *	8/2016	Henderson	.....	D12/213
D795,774 S *	8/2017	Valencia Pollex	.....	D12/209
D798,786 S *	10/2017	Chung	.....	D12/209
D808,322 S *	1/2018	Sempek	.....	D12/209
D821,281 S *	6/2018	Zhao	.....	D12/209
D823,217 S *	7/2018	Chung	.....	D12/209
D829,153 S *	9/2018	Han	.....	D12/209
D830,271 S *	10/2018	Aslam	.....	D12/213
D830,938 S *	10/2018	Hodges	.....	D12/211
D831,556 S *	10/2018	Hodges	.....	D12/209
D840,901 S *	2/2019	Licklitter	.....	D12/211
D842,193 S *	3/2019	Han	.....	D12/209
D849,655 S *	5/2019	Kong	.....	D12/211
2015/0275336 A1 *	10/2015	Fukuda	.....	B60B 3/06 301/104
2016/0339739 A1 *	11/2016	Hodges	.....	B60B 7/02

\* cited by examiner

*Primary Examiner* — Stacia A Cadmus

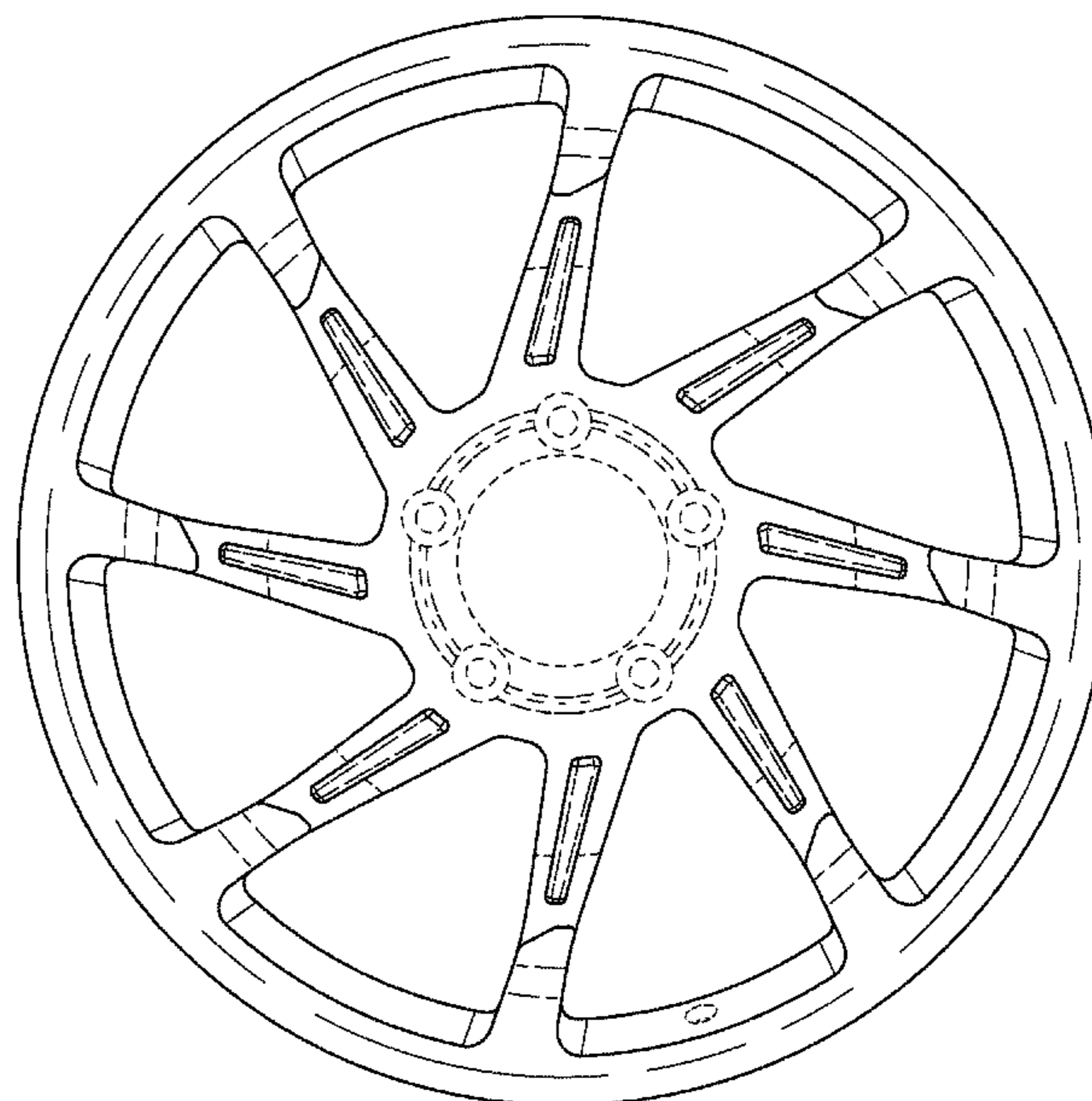
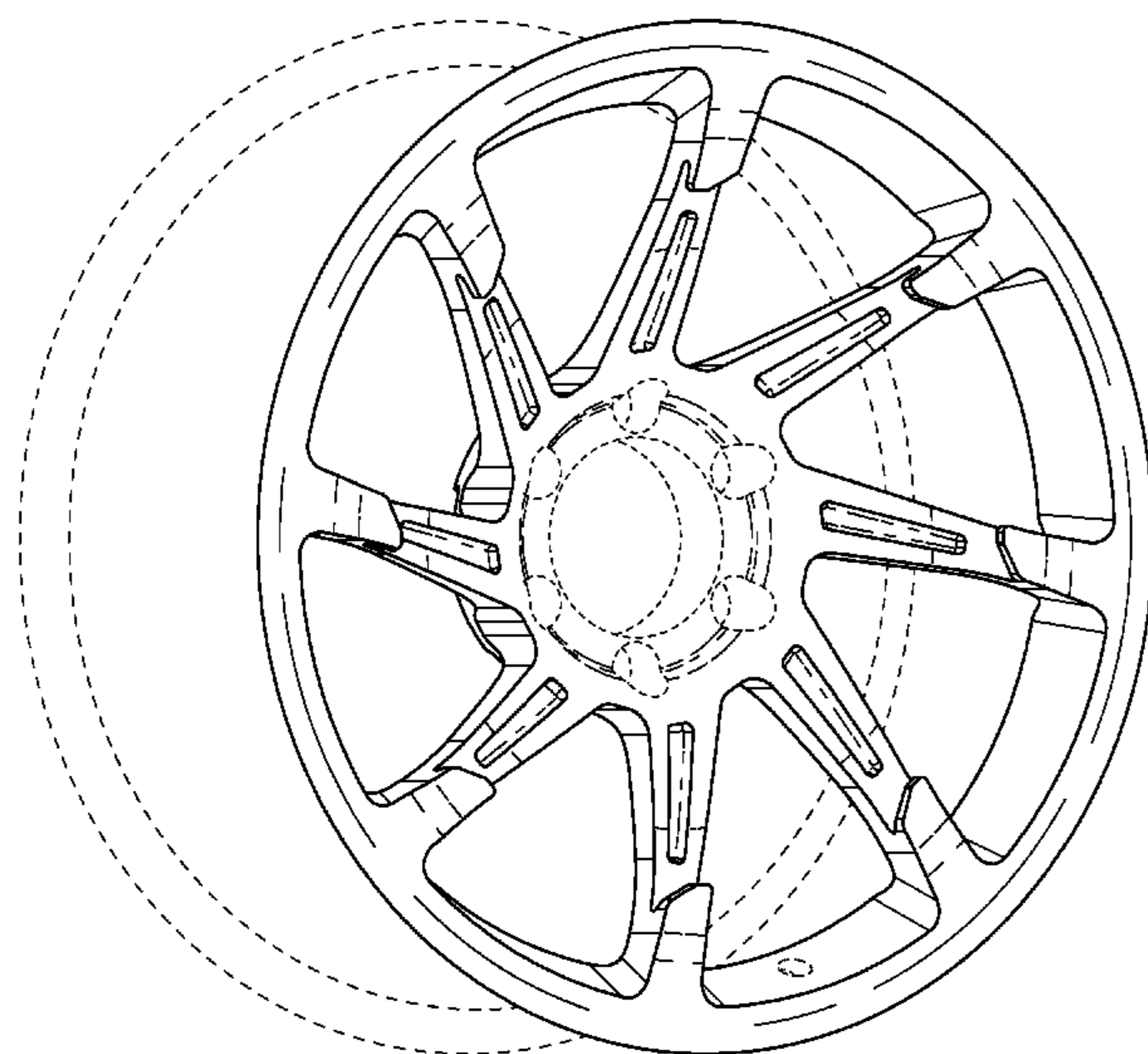
(57) **CLAIM**

The ornamental design for an automotive wheel, as shown and described.

**DESCRIPTION**

FIG. 1 is a perspective view of an automotive wheel, showing my new design; and, FIG. 2 is a front view thereof. In the drawings, the broken lines depict environmental subject matter and form no part of the claimed design.

**1 Claim, 2 Drawing Sheets**



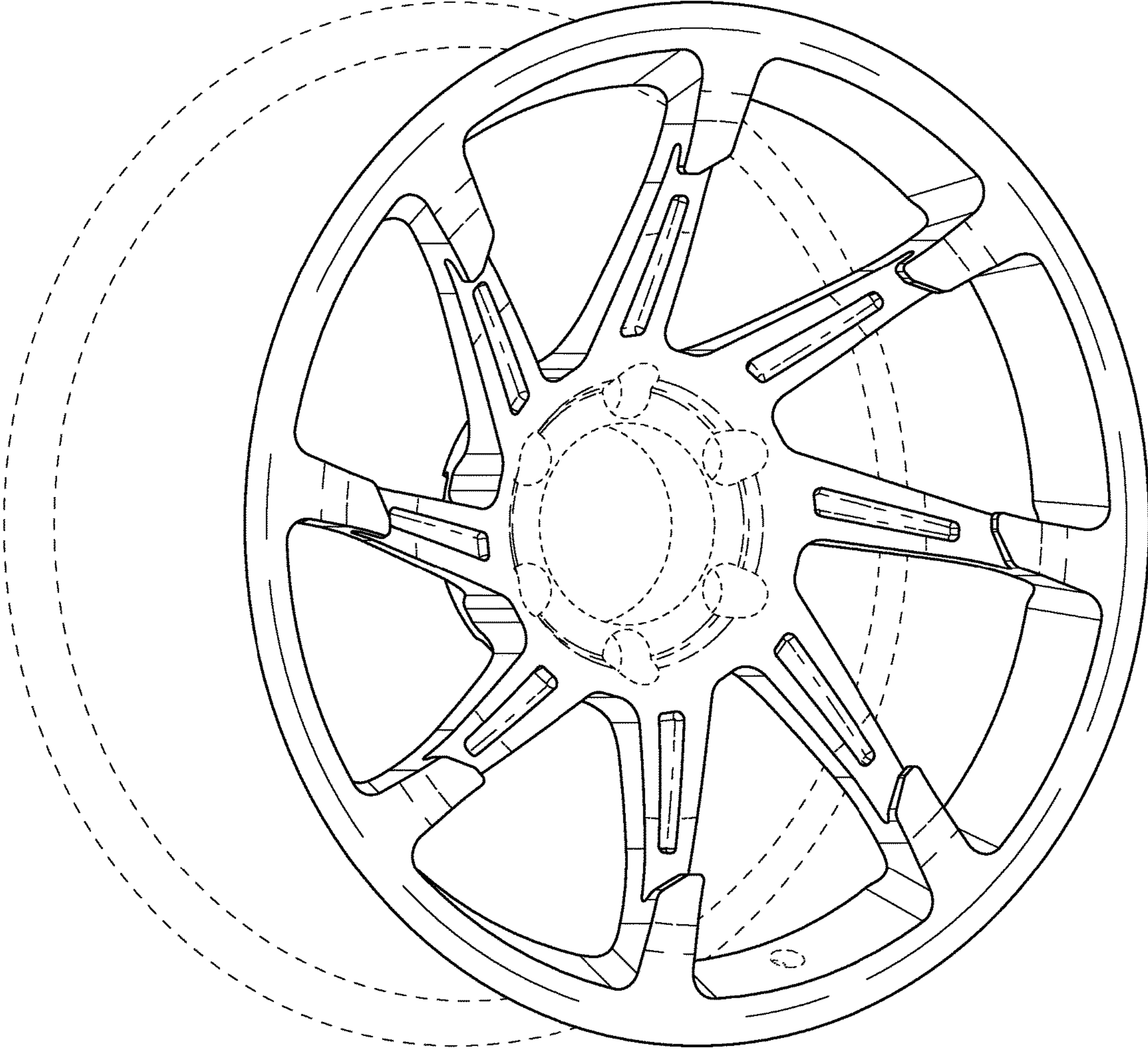


FIGURE 1



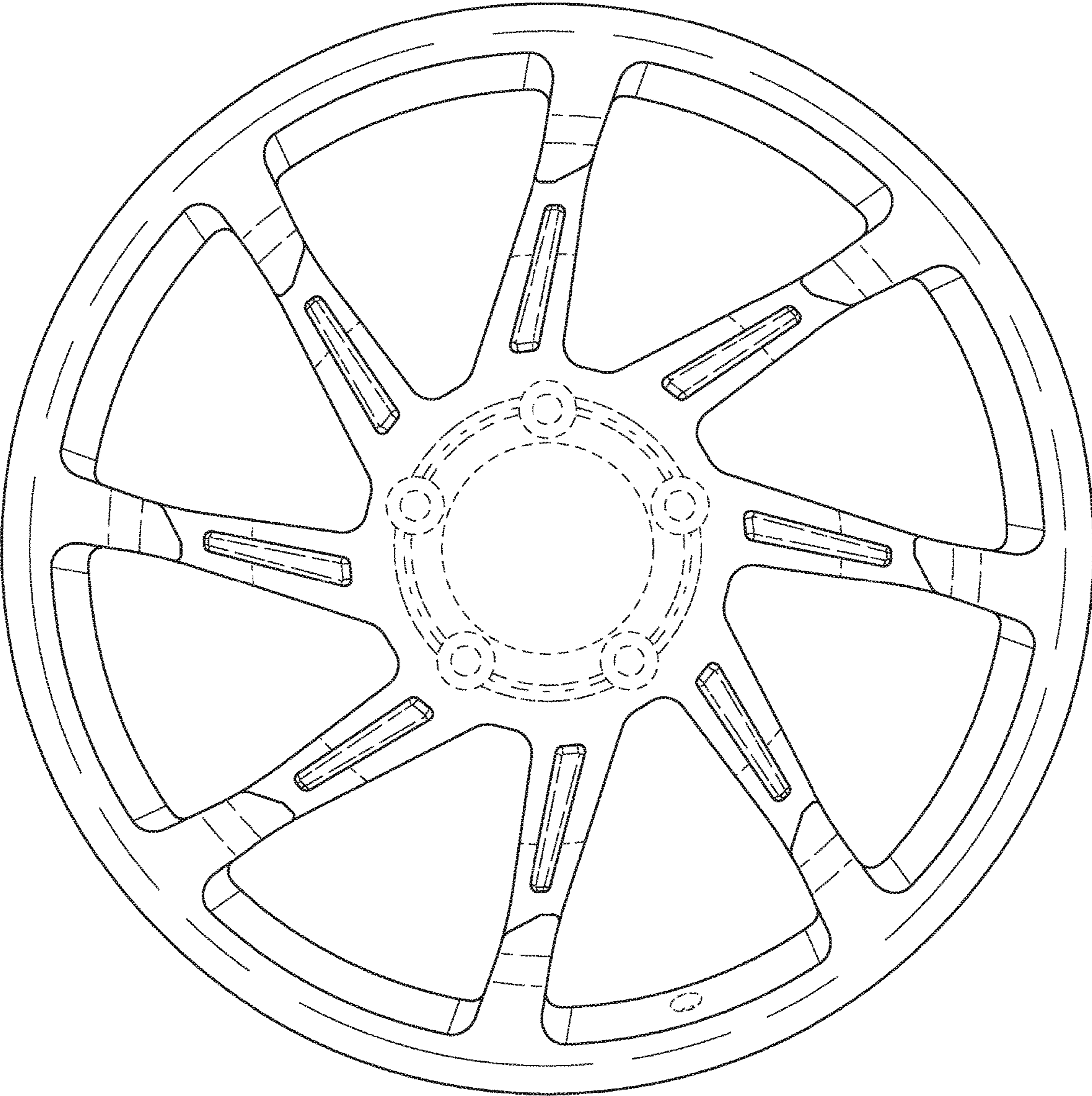


FIGURE 2