



US00D863178S

(12) **United States Design Patent**
Okaji

(10) **Patent No.:** **US D863,178 S**

(45) **Date of Patent:** **** Oct. 15, 2019**

(54) **WHEEL FOR AUTOMOBILE**

(71) Applicant: **HONDA MOTOR CO., LTD.**, Tokyo (JP)

(72) Inventor: **Tomohito Okaji**, Wako (JP)

(73) Assignee: **HONDA MOTOR CO., LTD.**, Tokyo (JP)

(**) Term: **15 Years**

(21) Appl. No.: **29/654,181**

(22) Filed: **Jun. 21, 2018**

(30) **Foreign Application Priority Data**

Dec. 29, 2017 (JP) 2017-029645

(51) **LOC (12) Cl.** **12-16**

(52) **U.S. Cl.**
USPC **D12/209**

(58) **Field of Classification Search**
USPC D12/204–213
CPC B60B 7/00; B60B 7/02; B60B 7/04; B60B 7/01; B60B 7/06; B60B 3/02; B60B 3/04; B60B 3/06; B60B 3/10; B60B 1/00; B60B 1/08; B60B 1/10; B60B 1/12
See application file for complete search history.

(56) **References Cited**

U.S. PATENT DOCUMENTS

D451,463 S * 12/2001 Murkett D12/209
D456,333 S * 4/2002 Pollmann D12/211
D475,337 S * 6/2003 Kataoka D12/209
D494,917 S * 8/2004 Pollmann D12/211

D501,815 S * 2/2005 Weld D12/209
D513,727 S * 1/2006 Gallert D12/211
D566,642 S * 4/2008 Scheu D12/211
D568,800 S * 5/2008 Huet D12/211
D583,739 S * 12/2008 Gallert D12/209
D617,716 S * 6/2010 Lamm D12/211
D620,870 S * 8/2010 Powell D12/211
D638,768 S * 5/2011 Nissl D12/211
D663,249 S * 7/2012 Zhang D12/211
D670,635 S * 11/2012 Pollmann D12/211
D670,636 S * 11/2012 Juergens D12/211
D671,472 S * 11/2012 Pollmann D12/209
D706,694 S * 6/2014 Wheel D12/209
D710,287 S * 8/2014 Ishii D12/209
D710,779 S * 8/2014 Zhang D12/209
D740,193 S * 10/2015 Battams D12/209
D751,015 S * 3/2016 Mahoney D12/209
D793,319 S * 8/2017 Namba D12/209
D828,268 S * 9/2018 Nakamura D12/209
D841,551 S * 2/2019 Kanai D12/209

* cited by examiner

Primary Examiner — Stacia A Cadmus

(74) *Attorney, Agent, or Firm* — Westerman, Hattori, Daniels & Adrian, LLP

(57) **CLAIM**

The ornamental design for a wheel for automobile, as shown and described.

DESCRIPTION

FIG. 1 is a perspective view of a wheel for automobile, showing my new design; and, FIG. 2 is a front elevation view thereof. The broken lines shown in the drawings illustrate portions of the wheel for automobile that are environmental structures and form no part of the claimed design.

1 Claim, 2 Drawing Sheets

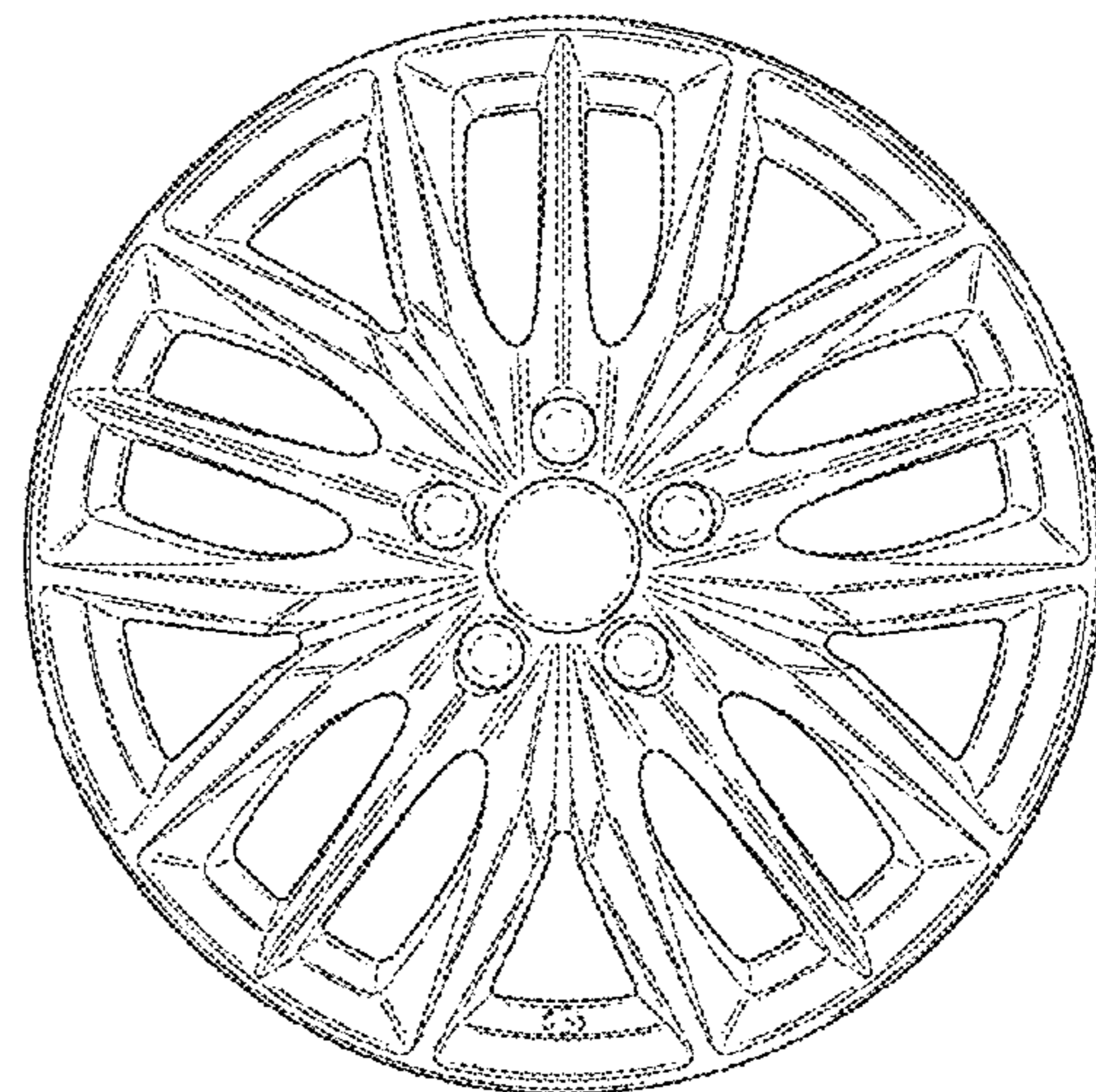
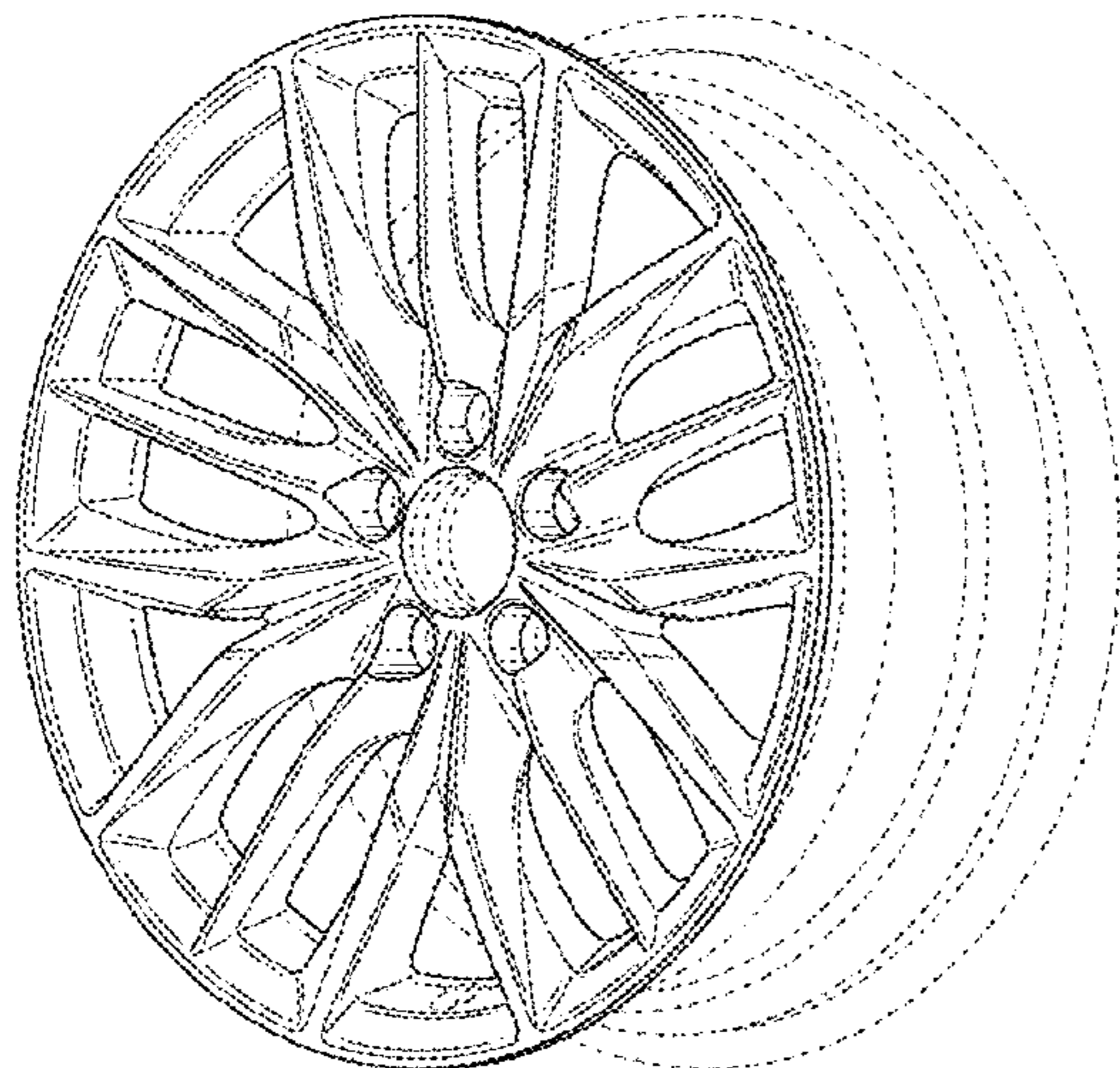


FIG. 1

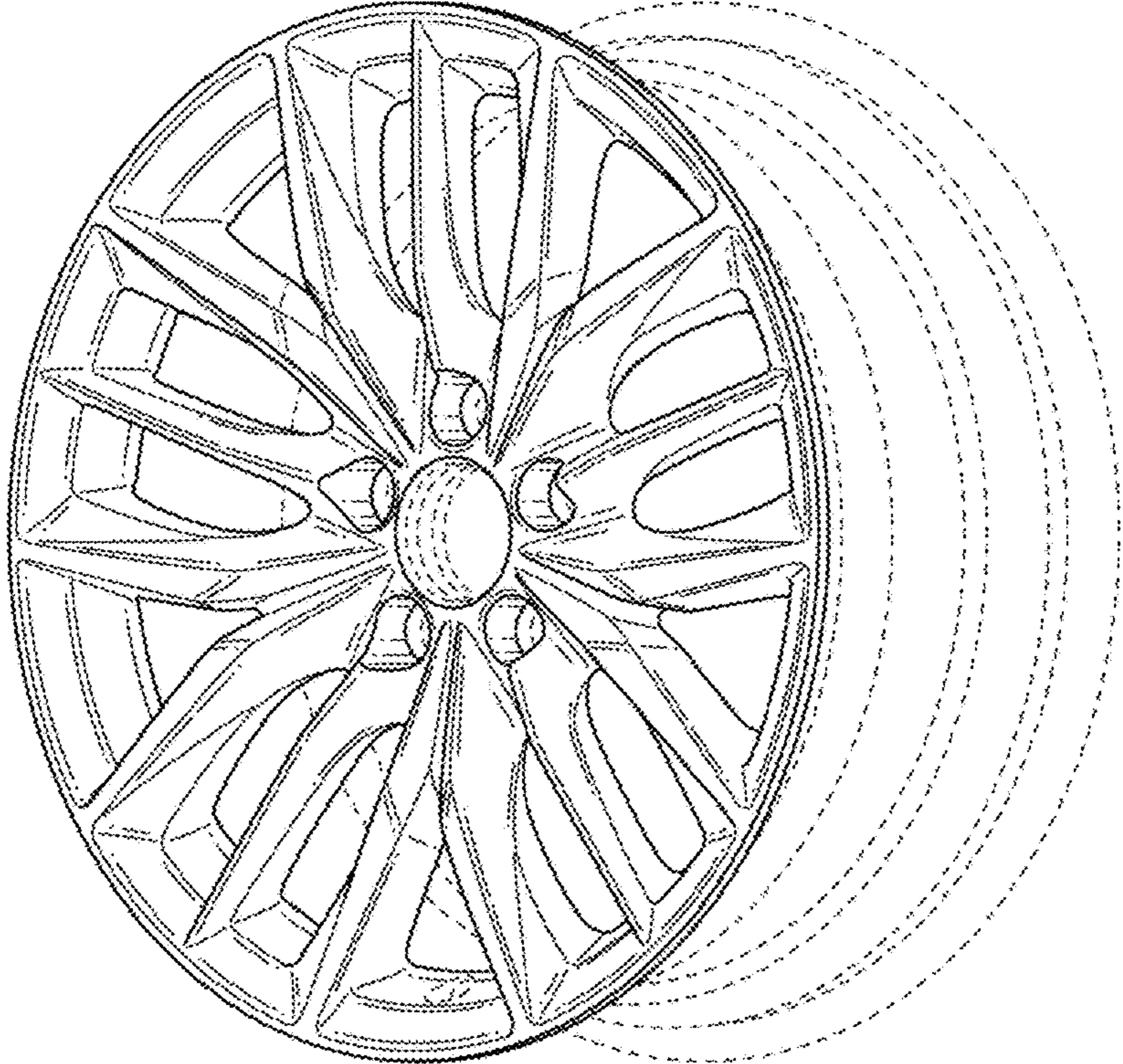


FIG. 2

