



US00D863177S

(12) **United States Design Patent**  
**Gregory**

(10) **Patent No.:** **US D863,177 S**

(45) **Date of Patent:** **\*\* Oct. 15, 2019**

(54) **WHEEL FOR MOTOR VEHICLE**

(71) Applicant: **Bentley Motors Limited**, Crewe (GB)

(72) Inventor: **John Paul Gregory**, Crewe (GB)

(73) Assignee: **BENTLEY MOTORS LIMITED**,  
Crewe, Cheshire (GB)

(\*\*) Term: **15 Years**

(21) Appl. No.: **29/638,126**

(22) Filed: **Feb. 23, 2018**

(30) **Foreign Application Priority Data**

Aug. 25, 2017 (EM) ..... 004164341

(51) **LOC (12) Cl.** ..... **12-16**

(52) **U.S. Cl.**  
USPC ..... **D12/209**

(58) **Field of Classification Search**  
USPC ..... D12/204–213  
CPC .... B60B 7/00; B60B 7/02; B60B 7/04; B60B  
7/01; B60B 7/06; B60B 3/02; B60B 3/04;  
B60B 3/06; B60B 3/10; B60B 1/00;  
B60B 1/08; B60B 1/10; B60B 1/12  
See application file for complete search history.

(56) **References Cited**

**U.S. PATENT DOCUMENTS**

D471,144 S \* 3/2003 Pfeiffer ..... D12/209  
D484,446 S \* 12/2003 Pfeiffer ..... D12/211  
D506,172 S \* 6/2005 Pfeiffer ..... D12/211  
D593,017 S \* 5/2009 Antoniadis ..... D12/209  
D683,689 S \* 6/2013 Fahr-Becker ..... D12/211

D689,004 S \* 9/2013 Jallad ..... D12/211  
D713,316 S \* 9/2014 Song ..... D12/211  
D745,842 S \* 12/2015 Wheel ..... D12/209  
D761,711 S \* 7/2016 Wolff ..... D12/209  
D762,545 S \* 8/2016 Hodges ..... D12/209  
D790,424 S \* 6/2017 Valencia Pollex ..... D12/209  
D793,942 S \* 8/2017 Factor ..... D12/211  
D795,153 S \* 8/2017 Peat ..... D12/211  
D802,512 S \* 11/2017 Kong ..... D12/211  
D822,576 S \* 7/2018 Austin ..... D12/211  
D824,831 S \* 8/2018 Oh ..... D12/209  
D830,271 S \* 10/2018 Aslam ..... D12/213  
D830,940 S \* 10/2018 Peat ..... D12/211  
D831,558 S \* 10/2018 Starr, Jr. .... D12/209  
D833,943 S \* 11/2018 Chung ..... D12/209  
D838,647 S \* 1/2019 Han ..... D12/209

\* cited by examiner

*Primary Examiner* — Stacia A Cadmus

(74) *Attorney, Agent, or Firm* — Schwabe Williamson &  
Wyatt, P.C.

(57) **CLAIM**

I claim the ornamental design for a wheel for motor vehicle,  
as shown and described.

**DESCRIPTION**

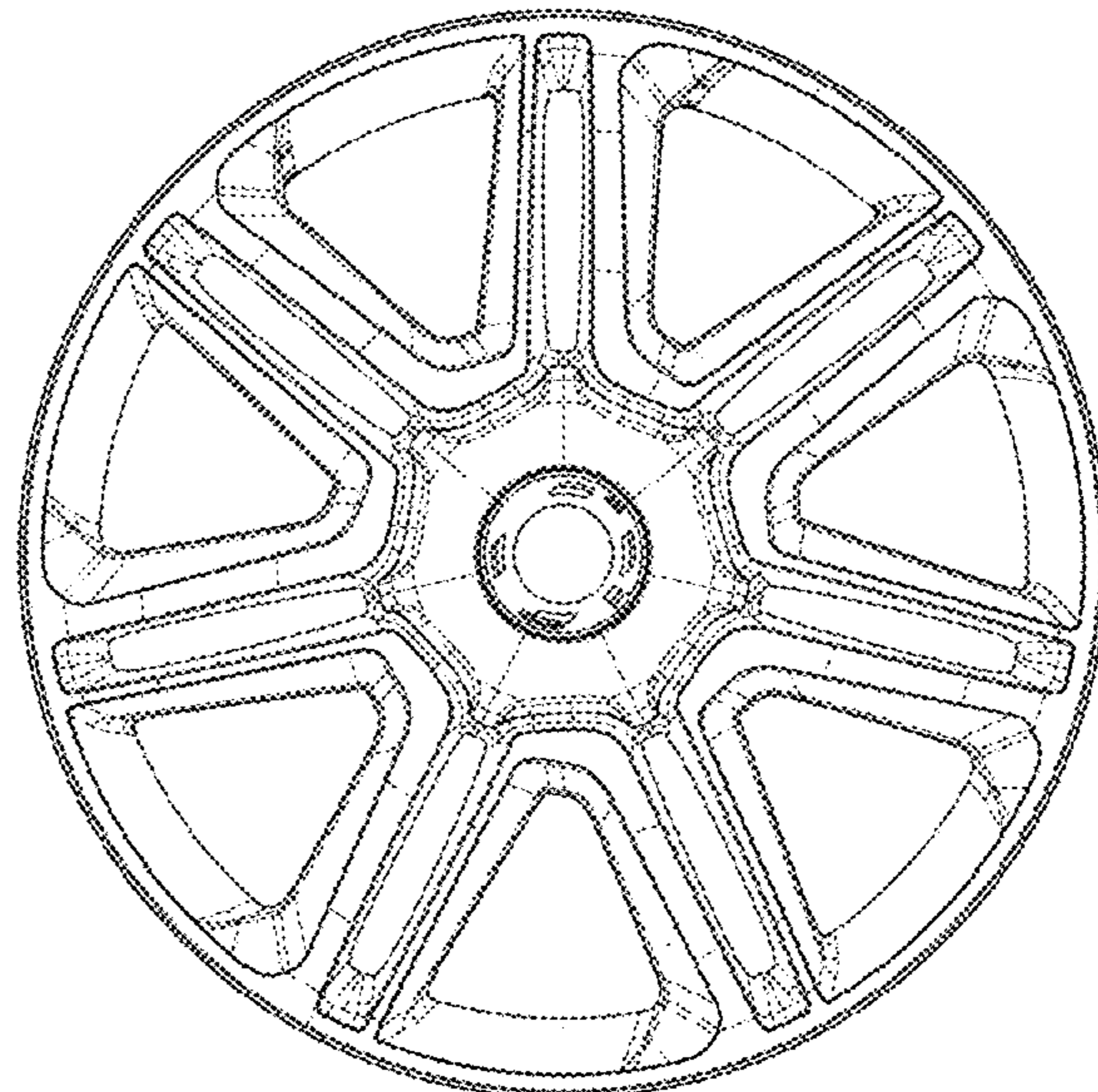
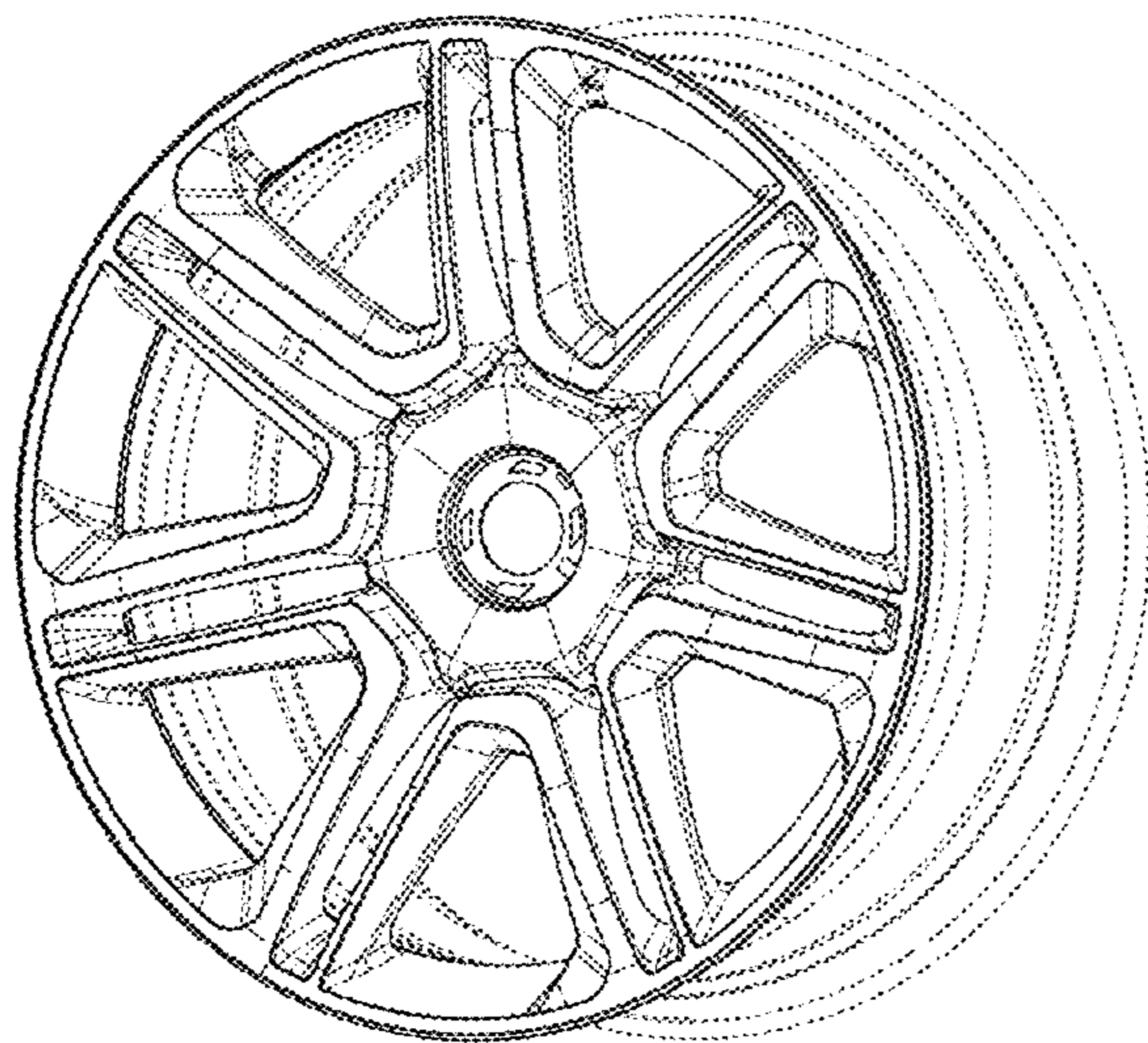
FIG. 1 is a perspective view of a wheel for motor vehicle,  
showing my design;

FIG. 2 is a front view thereof; and,

FIG. 3 is a side view thereof.

The additional views of the wheel not provided herein do not  
provide any additional claimed features of the design and  
thus are not represented. The broken lines are included for  
illustrating environmental structure and form no part of the  
claimed design.

**1 Claim, 3 Drawing Sheets**





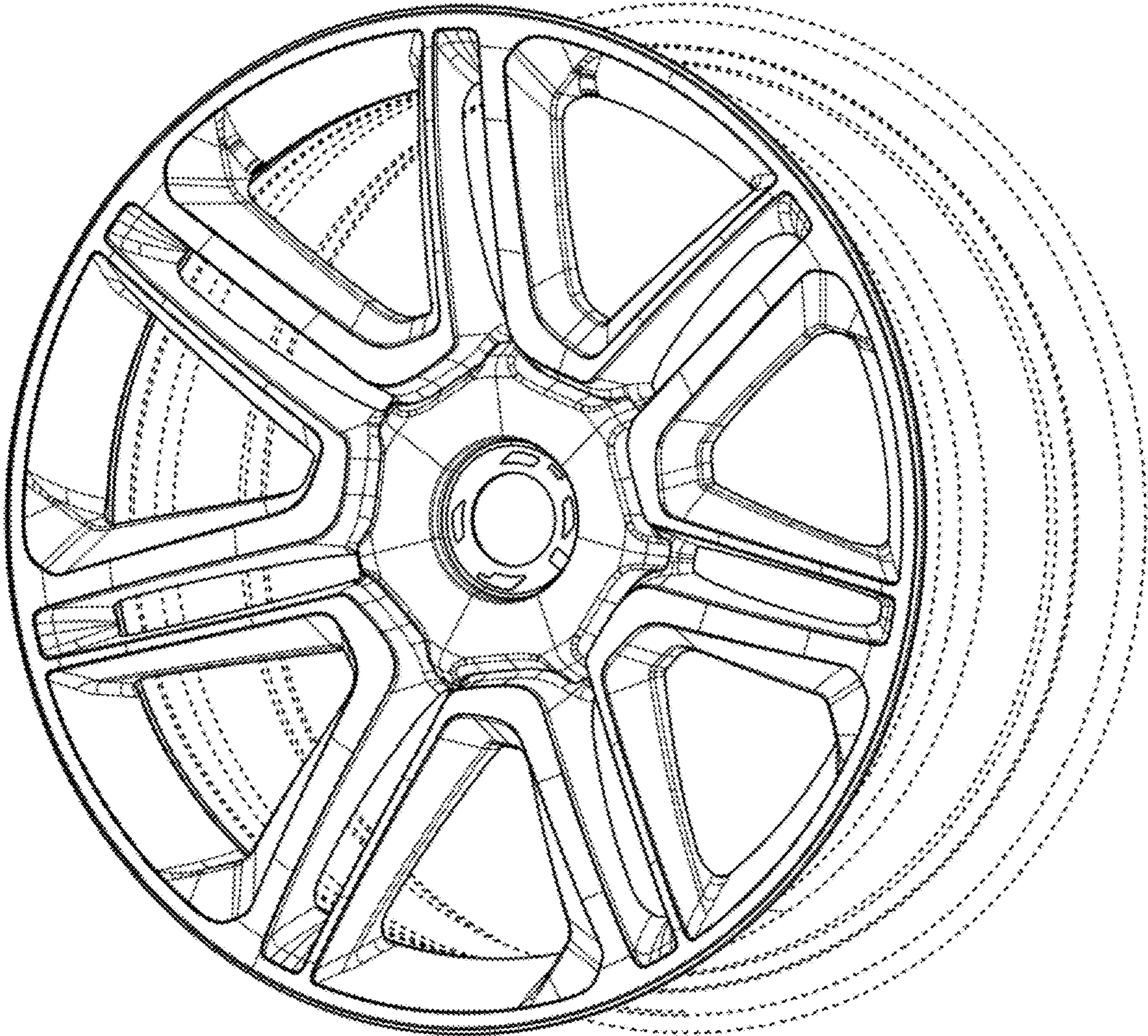


FIG. 1



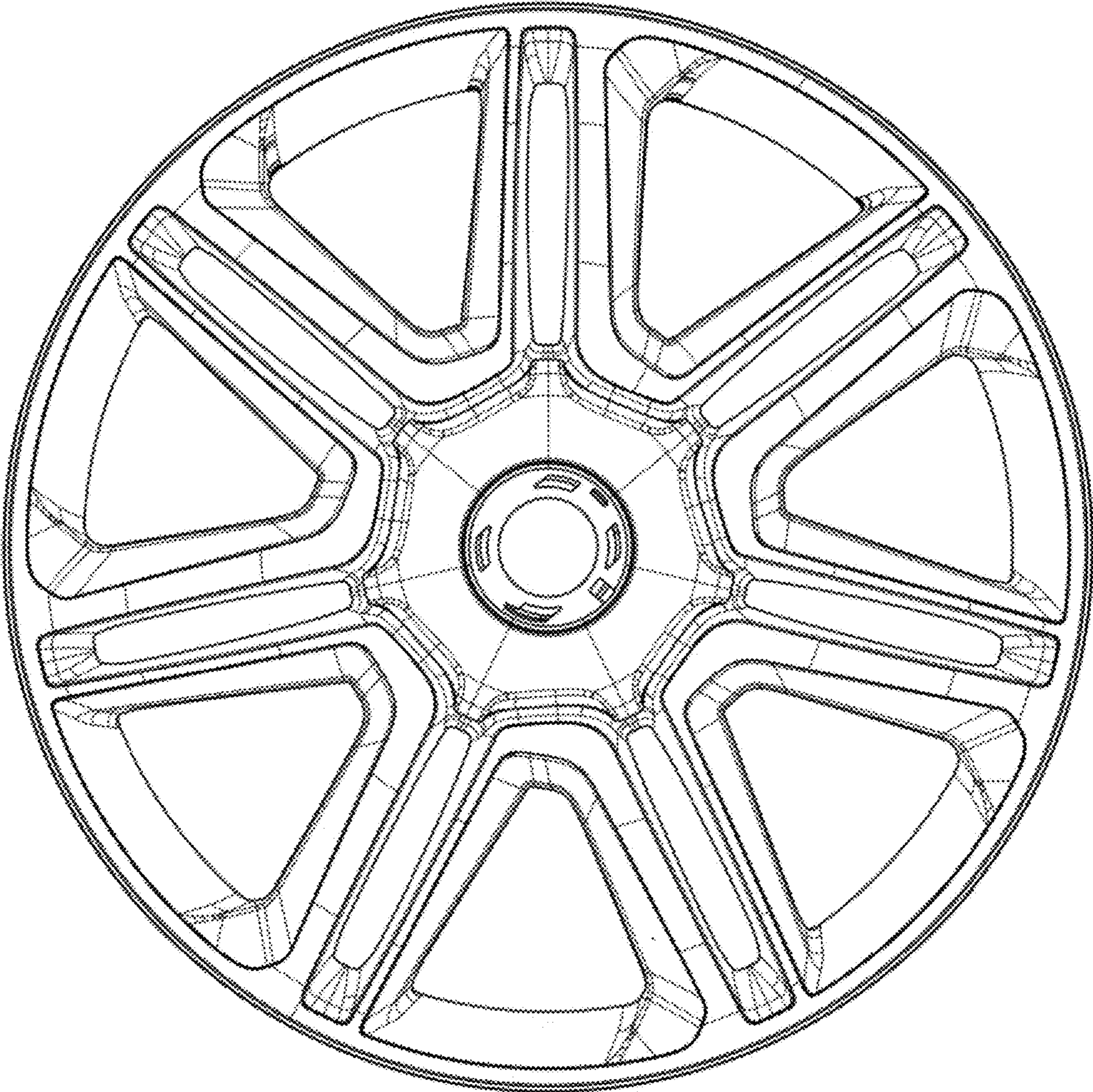


FIG. 2

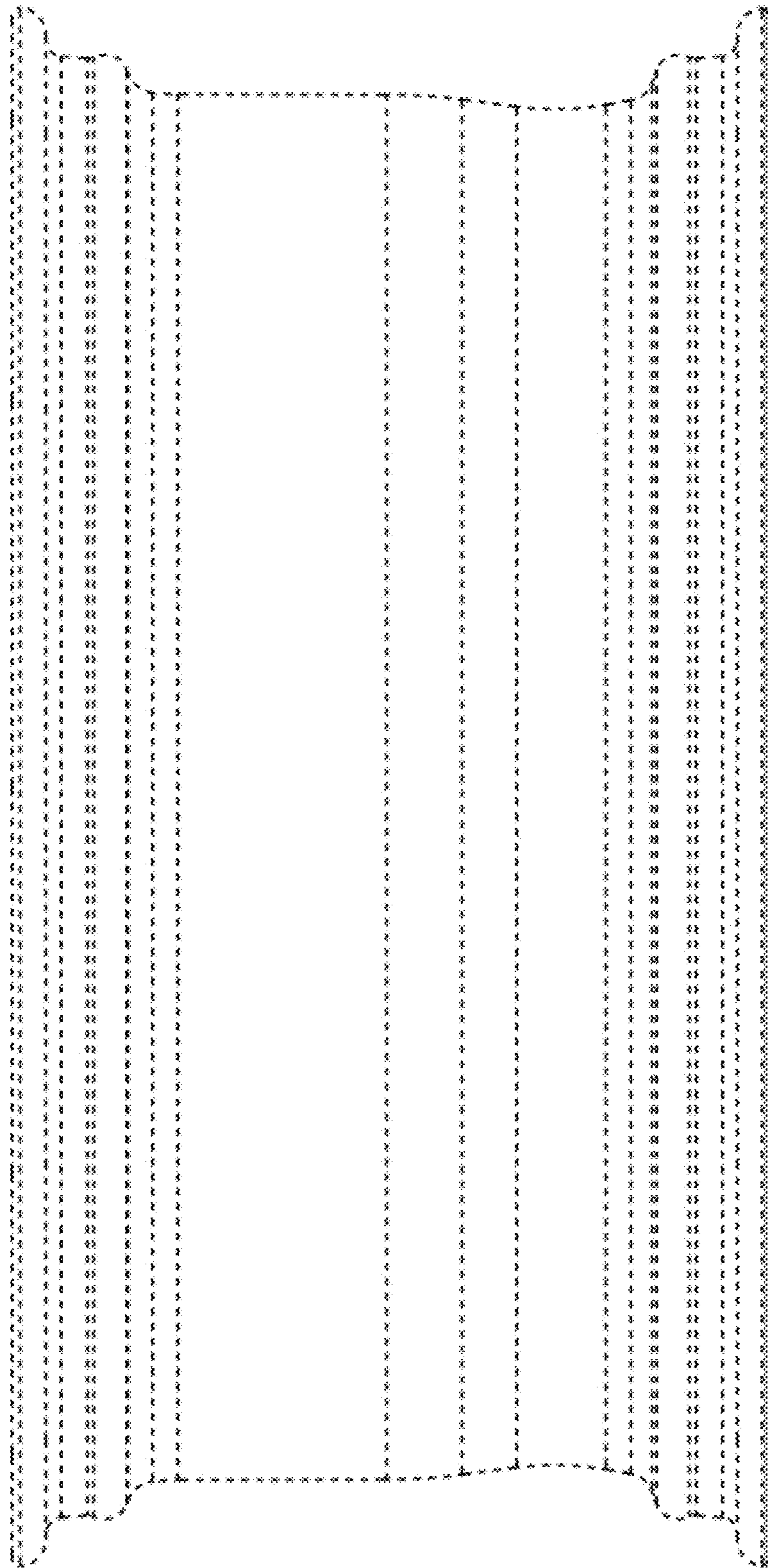


FIG. 3