



US00D863176S

(12) **United States Design Patent**
Gregory

(10) **Patent No.:** **US D863,176 S**

(45) **Date of Patent:** **** Oct. 15, 2019**

- (54) **WHEEL FOR MOTOR VEHICLE**
- (71) Applicant: **Bentley Motors Limited**, Crewe (GB)
- (72) Inventor: **John Paul Gregory**, Crewe (GB)
- (73) Assignee: **BENTLEY MOTORS LIMITED**,
Crewe, Cheshire (GB)
- (**) Term: **15 Years**
- (21) Appl. No.: **29/638,124**
- (22) Filed: **Feb. 23, 2018**

(30) **Foreign Application Priority Data**

Aug. 25, 2017 (EM) 004164341

(51) **LOC (12) Cl.** **12-16**

(52) **U.S. Cl.**
USPC **D12/209**

(58) **Field of Classification Search**
USPC D12/204–213
CPC B60B 7/00; B60B 7/02; B60B 7/04; B60B
7/01; B60B 7/06; B60B 3/02; B60B 3/04;
B60B 3/06; B60B 3/10; B60B 1/00;
B60B 1/08; B60B 1/10; B60B 1/12
See application file for complete search history.

(56) **References Cited**

U.S. PATENT DOCUMENTS

D421,953 S *	3/2000	Sims	D12/211
D426,489 S *	6/2000	Winderl	D11/120
D585,009 S *	1/2009	Rak	D12/211

D595,202 S *	6/2009	Spoerle	D12/211
D596,552 S *	7/2009	Beermann	D12/211
D623,116 S *	9/2010	Zhao	D12/211
D669,010 S *	10/2012	Nakano	D12/211
D671,881 S *	12/2012	Roura	D12/211
D718,206 S *	11/2014	Song	D12/211
D718,207 S *	11/2014	Grake	D12/211
D744,930 S *	12/2015	Chung	D12/211
D768,048 S *	10/2016	Johnson	D12/211
D769,784 S *	10/2016	Bazinski	D12/209
D781,206 S *	3/2017	Giolito	D12/211
D803,754 S *	11/2017	Chung	D12/211
D824,832 S *	8/2018	Oh	D12/209
D835,026 S *	12/2018	Valencia Pollex	D12/209

* cited by examiner

Primary Examiner — Stacia A Cadmus

(74) *Attorney, Agent, or Firm* — Schwabe Williamson & Wyatt, P.C.

(57) **CLAIM**

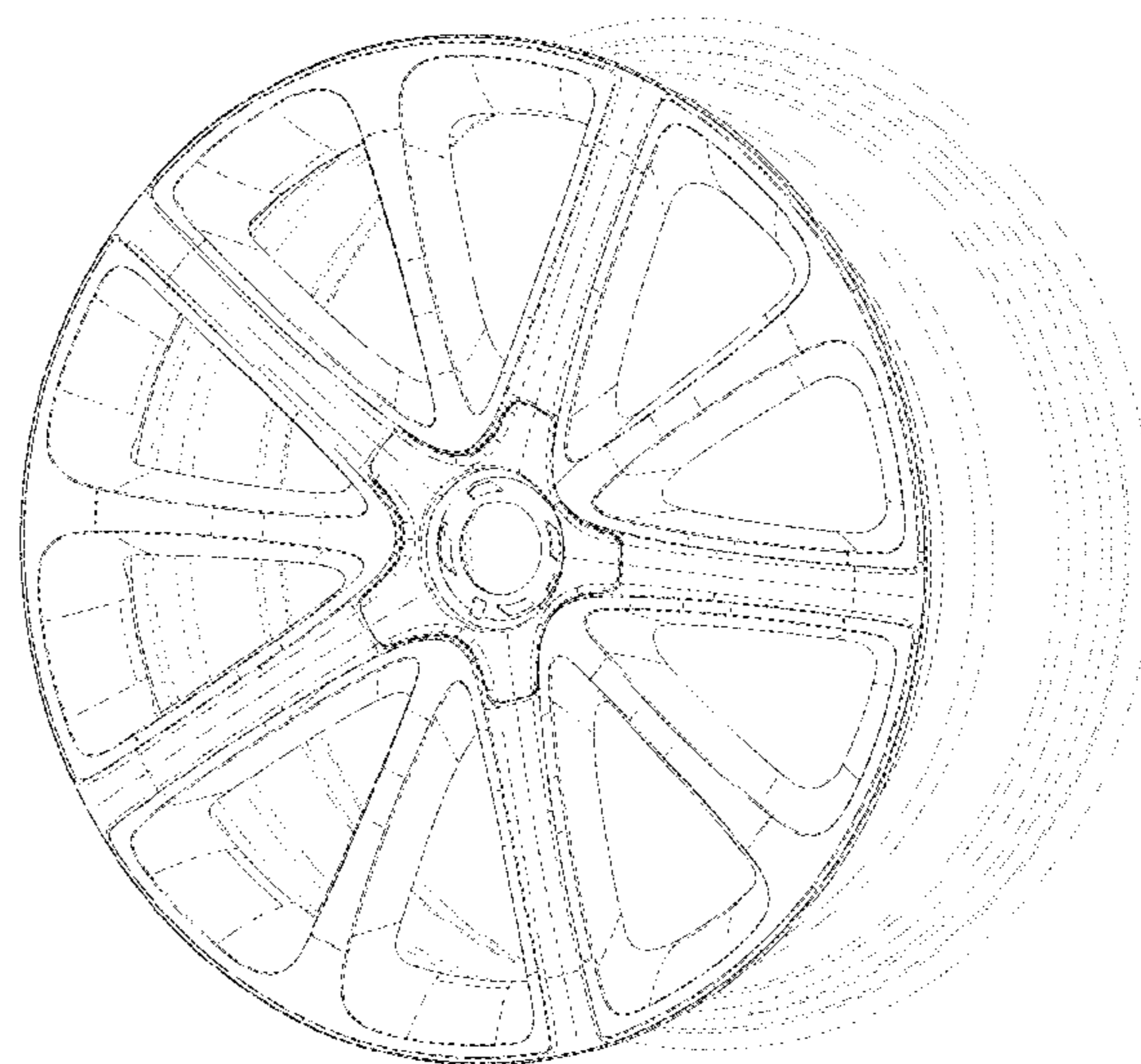
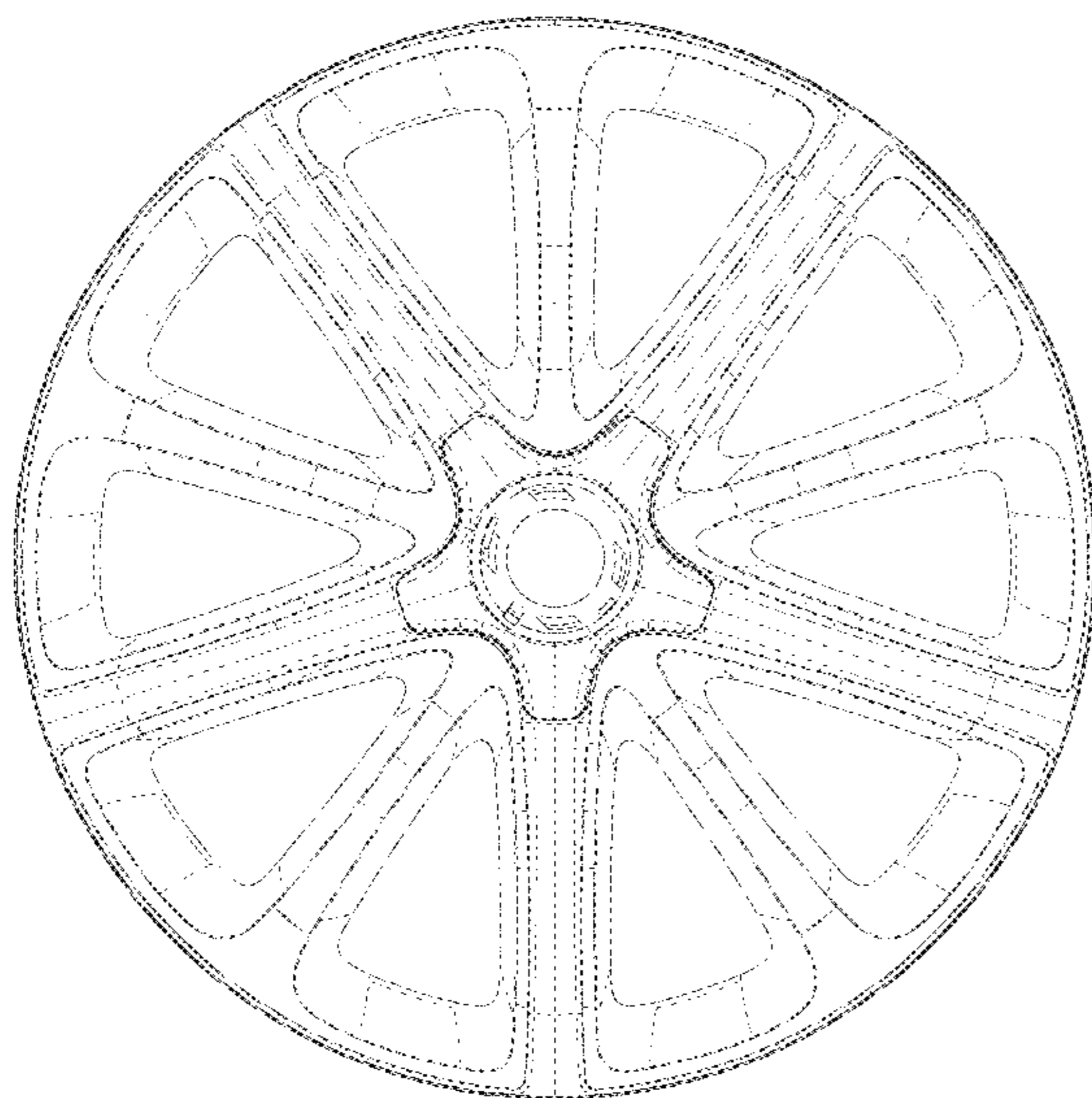
I claim the ornamental design for a wheel for motor vehicle, as shown and described.

DESCRIPTION

FIG. 1 is a front view of a wheel for motor vehicle, showing my design;
FIG. 2 is a perspective view thereof; and,
FIG. 3 is a side view thereof.

The additional views of the wheel not provided herein do not provide any additional claimed features of the design and thus are not represented. The broken lines are included for illustrating environmental structure and form no part of the claimed design.

1 Claim, 3 Drawing Sheets



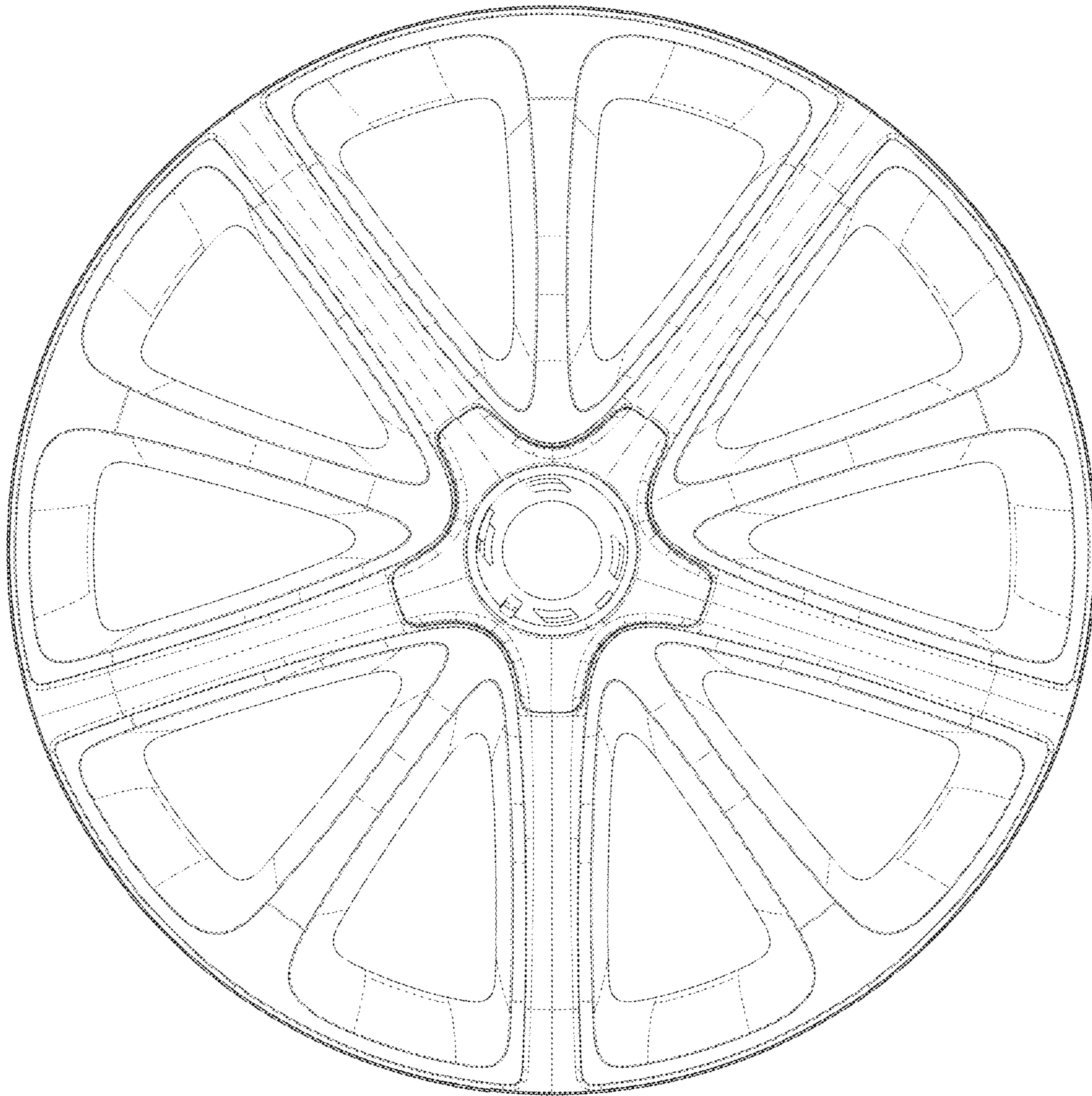


FIG. 1

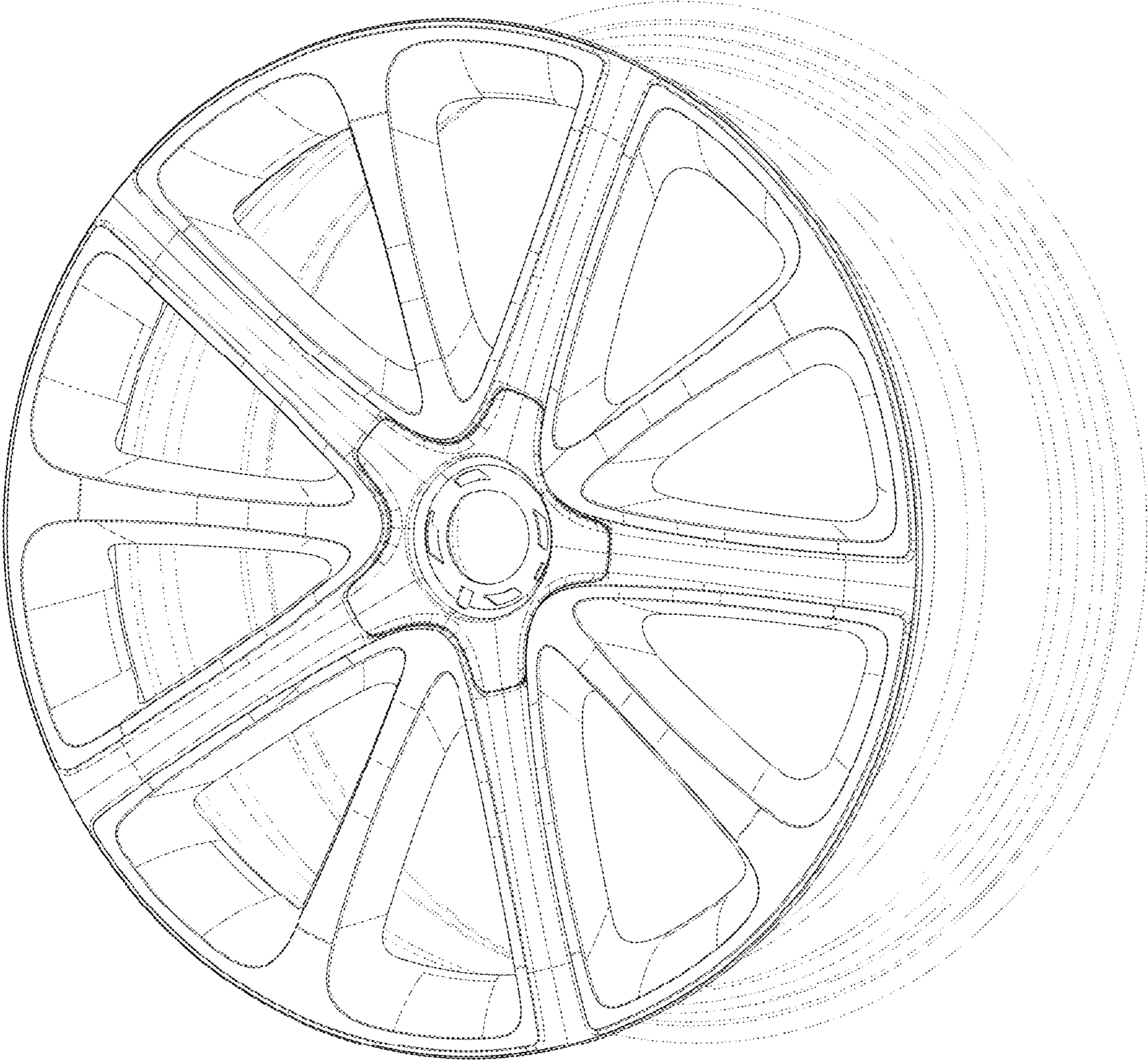


FIG. 2



FIG. 3