



US00D863171S

(12) **United States Design Patent** (10) **Patent No.:** **US D863,171 S**  
**Harriton et al.** (45) **Date of Patent:** **\*\* Oct. 15, 2019**

(54) **VEHICLE SKID PLATE**

FOREIGN PATENT DOCUMENTS

(71) Applicant: **StreetCar ORV LLC**, Wixom, MI (US)

CN 301937680 \* 5/2012  
CN 302071555 \* 9/2012

(72) Inventors: **David Harriton**, Missoula, MT (US);  
**Mark Stouffer**, Oakland Township, MI (US)

OTHER PUBLICATIONS

American Expedition Vehicles Facebook skid plate <https://www.facebook.com/aevehicles/photos/a.277001619034263/2029655940435480/?type=3&theater> Dec. 6, 2018 (Year: 2018).\*

(73) Assignee: **StreetCar ORV LLC**, Wixom, MI (US)

\* cited by examiner

(\*\*) Term: **15 Years**

*Primary Examiner* — Leanne Was-Englehart

(21) Appl. No.: **29/623,136**

(74) *Attorney, Agent, or Firm* — Quinn IP Law

(22) Filed: **Oct. 23, 2017**

(57) **CLAIM**

We claim the ornamental design for a vehicle skid plate, as shown and described.

(51) **LOC (12) Cl.** ..... **12-16**

**DESCRIPTION**

(52) **U.S. Cl.**

USPC ..... **D12/196**

(58) **Field of Classification Search**

USPC ..... D8/354, 355, 381; D12/98, 196, 223, D12/400

CPC ..... B62D 21/00; B62D 21/183; B62D 23/005

See application file for complete search history.

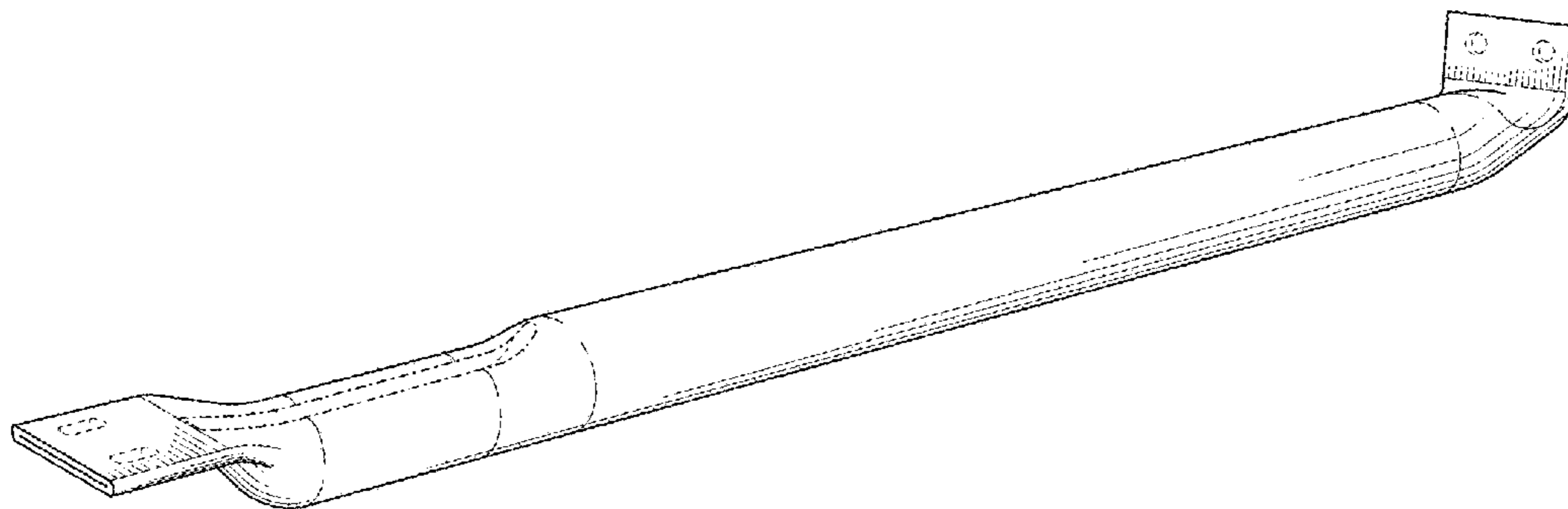
(56) **References Cited**

U.S. PATENT DOCUMENTS

|                   |         |                      |             |
|-------------------|---------|----------------------|-------------|
| D29,071 S *       | 7/1898  | Eldridge et al. .... | D30/119     |
| D101,968 S *      | 11/1936 | Pawsat .....         | D12/407     |
| D229,922 S *      | 1/1974  | Bishaf .....         | D12/119     |
| D311,860 S *      | 11/1990 | Remmers .....        | D8/381      |
| D403,948 S *      | 1/1999  | Pawsat .....         | D12/223     |
| D477,804 S *      | 7/2003  | Medder .....         | D12/196     |
| D820,767 S *      | 6/2018  | Fogg .....           | D12/222     |
| D820,769 S *      | 6/2018  | Winter .....         | D12/400     |
| D842,788 S *      | 3/2019  | Wymore .....         | D12/196     |
| 2017/0029033 A1 * | 2/2017  | Kitaguchi .....      | B60J 5/0443 |

FIG. 1 is a top, front, and right side perspective view of a vehicle skid plate,  
FIG. 2 is a bottom, rear, and left side perspective view of the vehicle skid plate,  
FIG. 3 is a top and front perspective view of the vehicle skid plate,  
FIG. 4 is a front elevational view of the vehicle skid plate,  
FIG. 5 is a rear elevational view of the vehicle skid plate,  
FIG. 6 is a left side elevational view of the vehicle skid plate,  
FIG. 7 is a right side elevational view of the vehicle skid plate,  
FIG. 8 is a top plan view of the vehicle skid plate; and,  
FIG. 9 is a bottom plan view of the vehicle skid plate.  
All broken lines illustrate portions of the vehicle skid plate which the design is applied that form no part of the claim. The dash-dot boundary lines define a boundary of the claimed design and form no part of the claimed design.

**1 Claim, 6 Drawing Sheets**



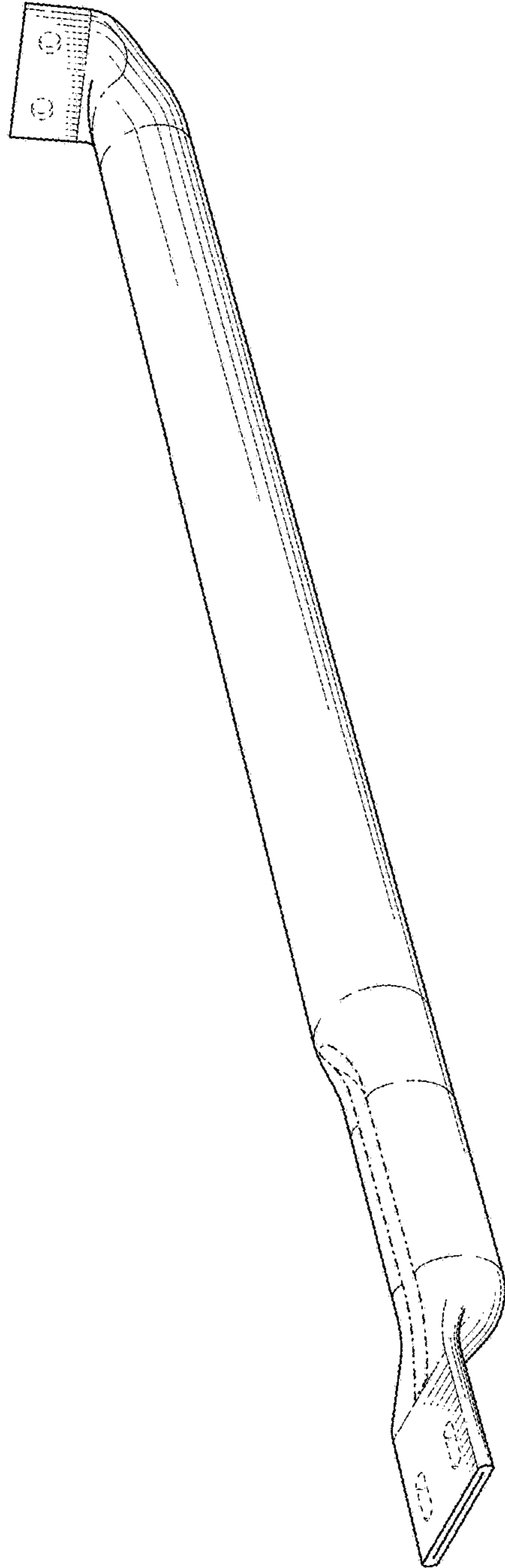


FIG. 1

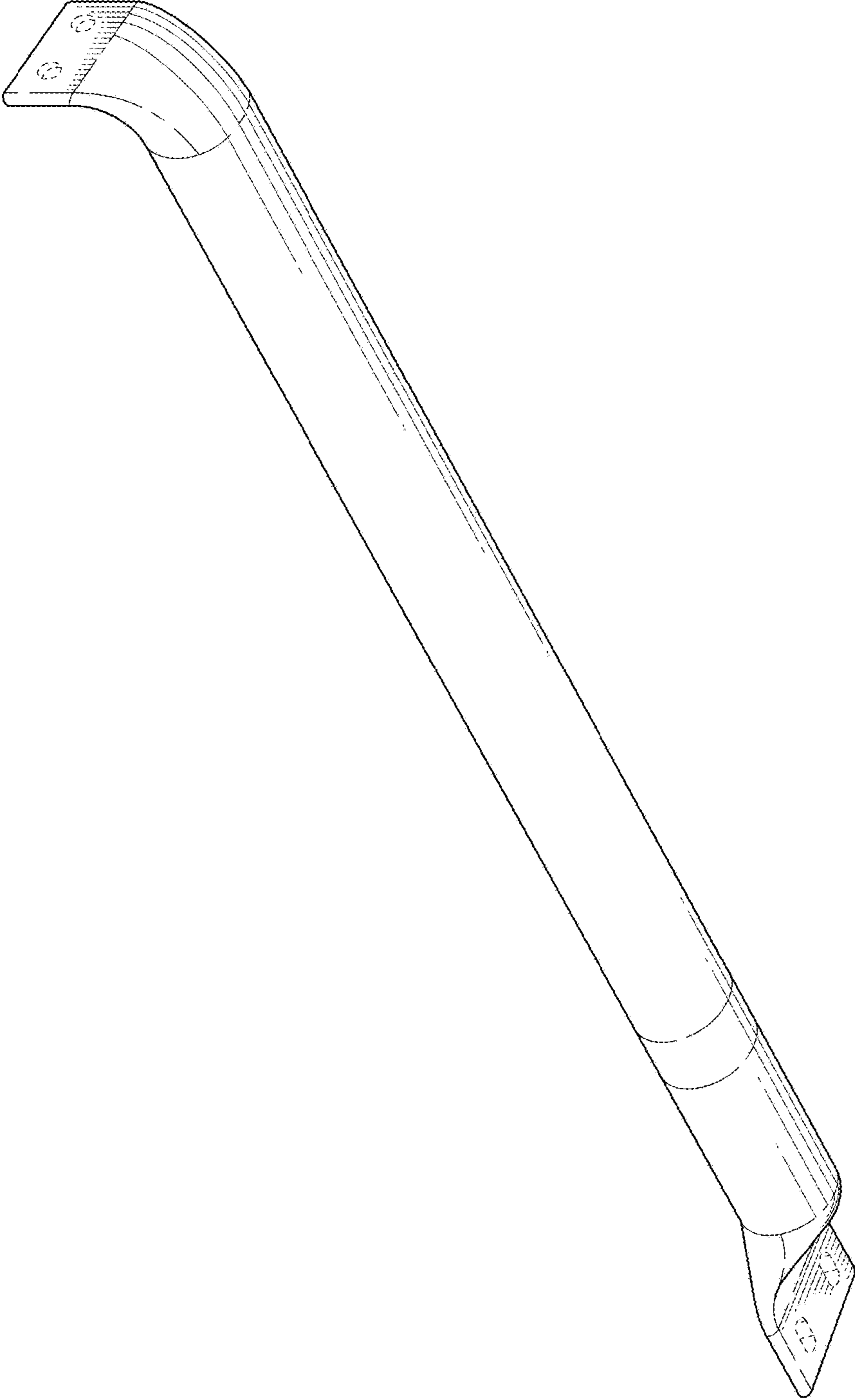


FIG. 2

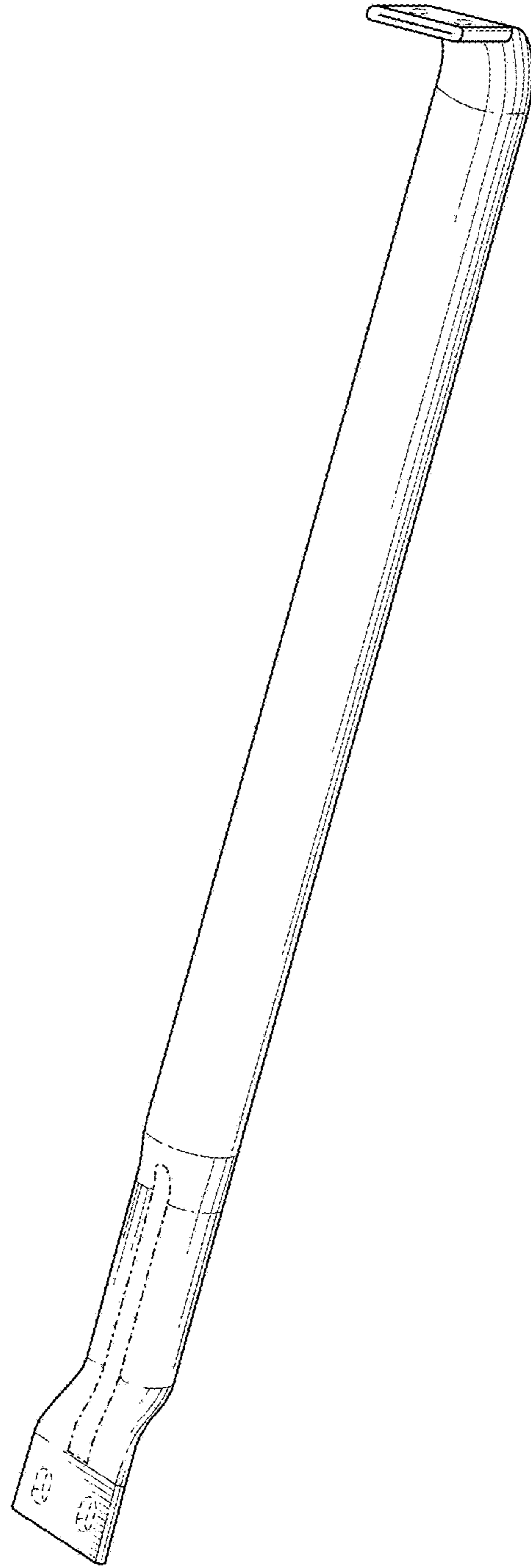


FIG. 3

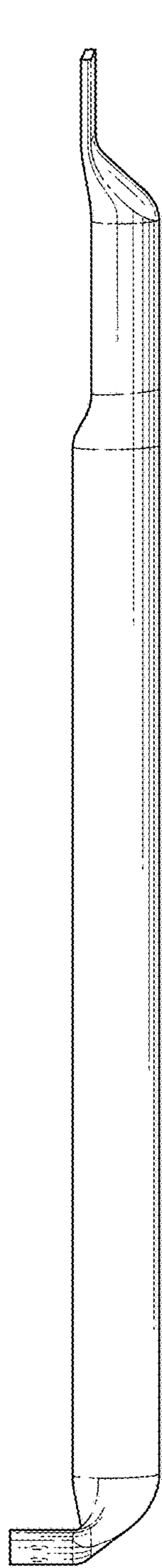


FIG. 4

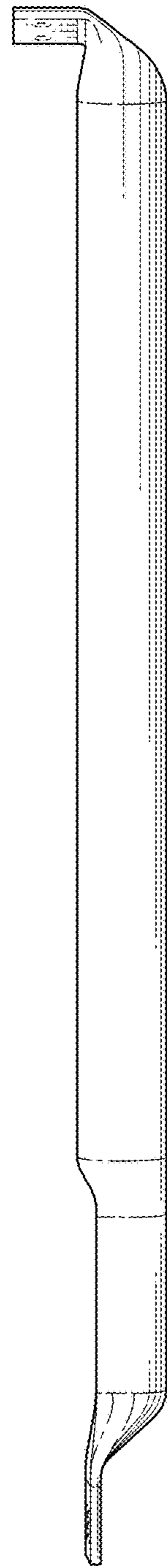


FIG. 5

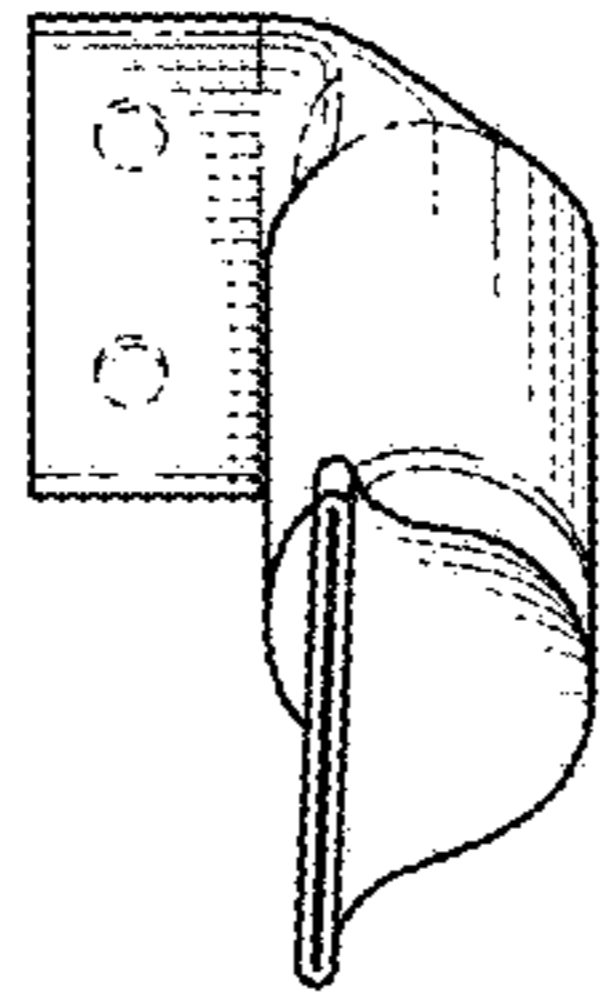


FIG. 7

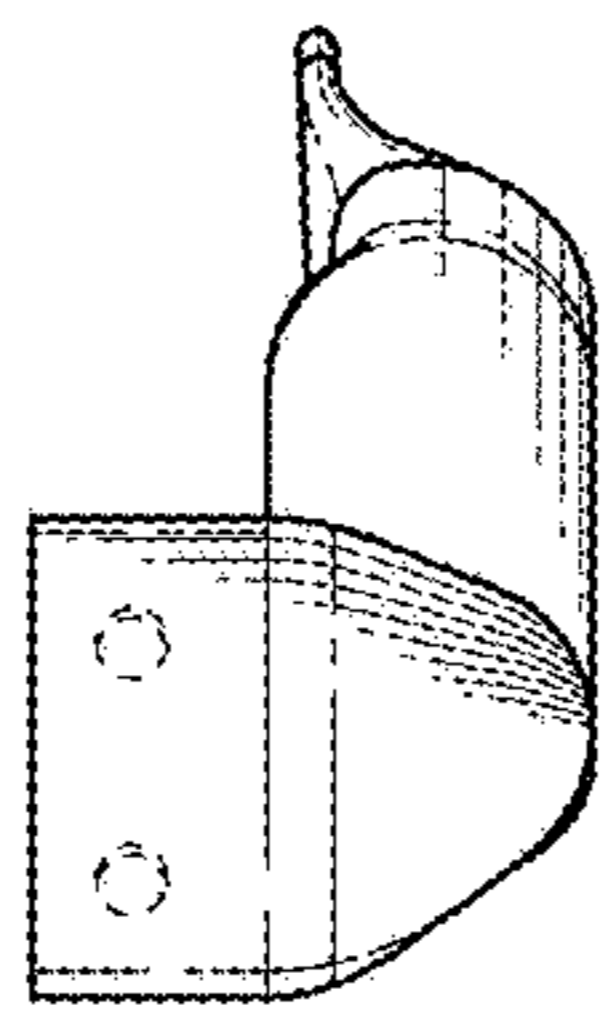


FIG. 6

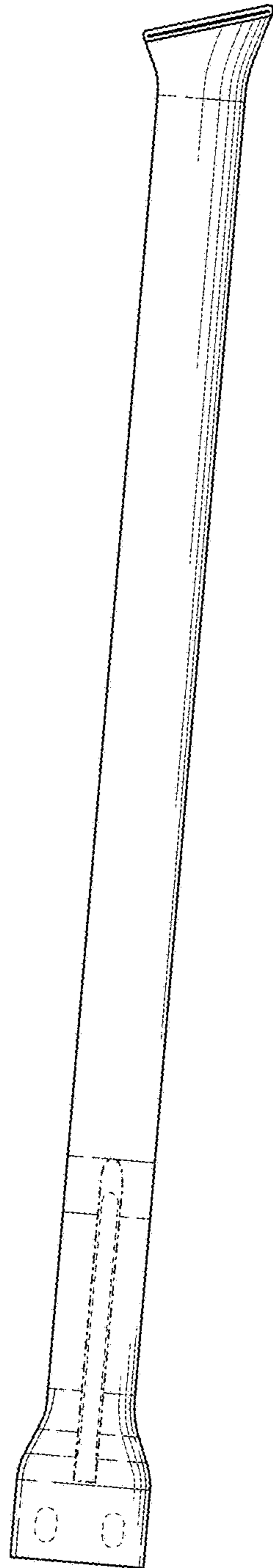


FIG. 8

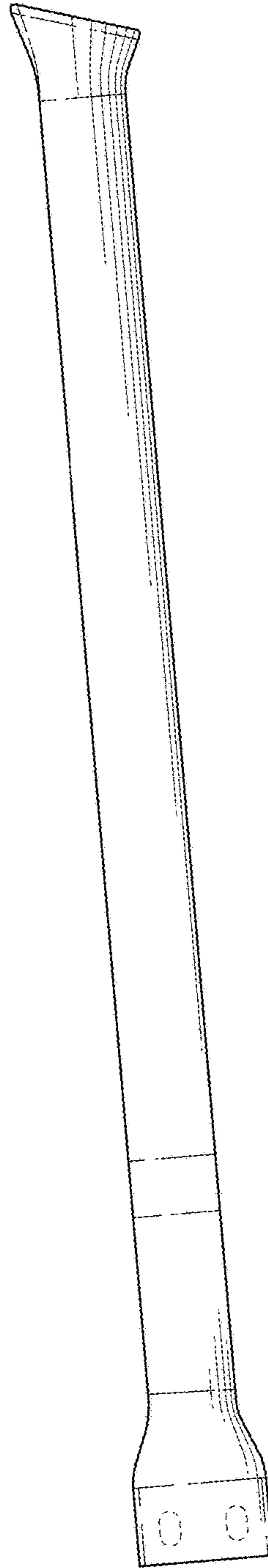


FIG. 9