



US00D863168S

(12) **United States Design Patent** (10) **Patent No.:** **US D863,168 S**
Lin (45) **Date of Patent:** **** Oct. 15, 2019**

(54) **LICENSE PLATE FRAME**
(71) Applicant: **Shenzhen Chengwanxing E-Commerce CO., LTD., Shenzhen (CN)**
(72) Inventor: **Hongbao Lin, Shenzhen (CN)**
(73) Assignee: **Shenzhen Chengwanxing E-Commerce CO., LTD., Shenzhen (CN)**

D633,837 S * 3/2011 Murray D12/193
D718,690 S * 12/2014 Marksteiner D12/193
D758,267 S * 6/2016 Marko, Jr. D12/193
D773,368 S 12/2016 Alesi
D813,130 S 3/2018 Spencer et al.
D818,917 S * 5/2018 Addy D12/193
D824,307 S * 7/2018 Spencer D12/193
10,053,029 B2 * 8/2018 Georgiadis G09F 21/048
D833,352 S * 11/2018 Reshetnyak D12/193
D834,479 S * 11/2018 Spencer D12/193
D847,713 S * 5/2019 Swisher D12/193
2004/0148826 A1 * 8/2004 MacNeil G09F 7/002
40/209

(**) Term: **15 Years**

* cited by examiner

(21) Appl. No.: **29/688,868**

Primary Examiner — **Natasha Vujcic**

(22) Filed: **Apr. 25, 2019**

(57) **CLAIM**

(51) **LOC (12) Cl.** **12-16**

The ornamental design for a license plate frame, as shown and described.

(52) **U.S. Cl.**

USPC **D12/193**

(58) **Field of Classification Search**

USPC D12/193

CPC B60R 13/10; B60R 13/105; B60R 19/24; B60R 19/52

See application file for complete search history.

DESCRIPTION

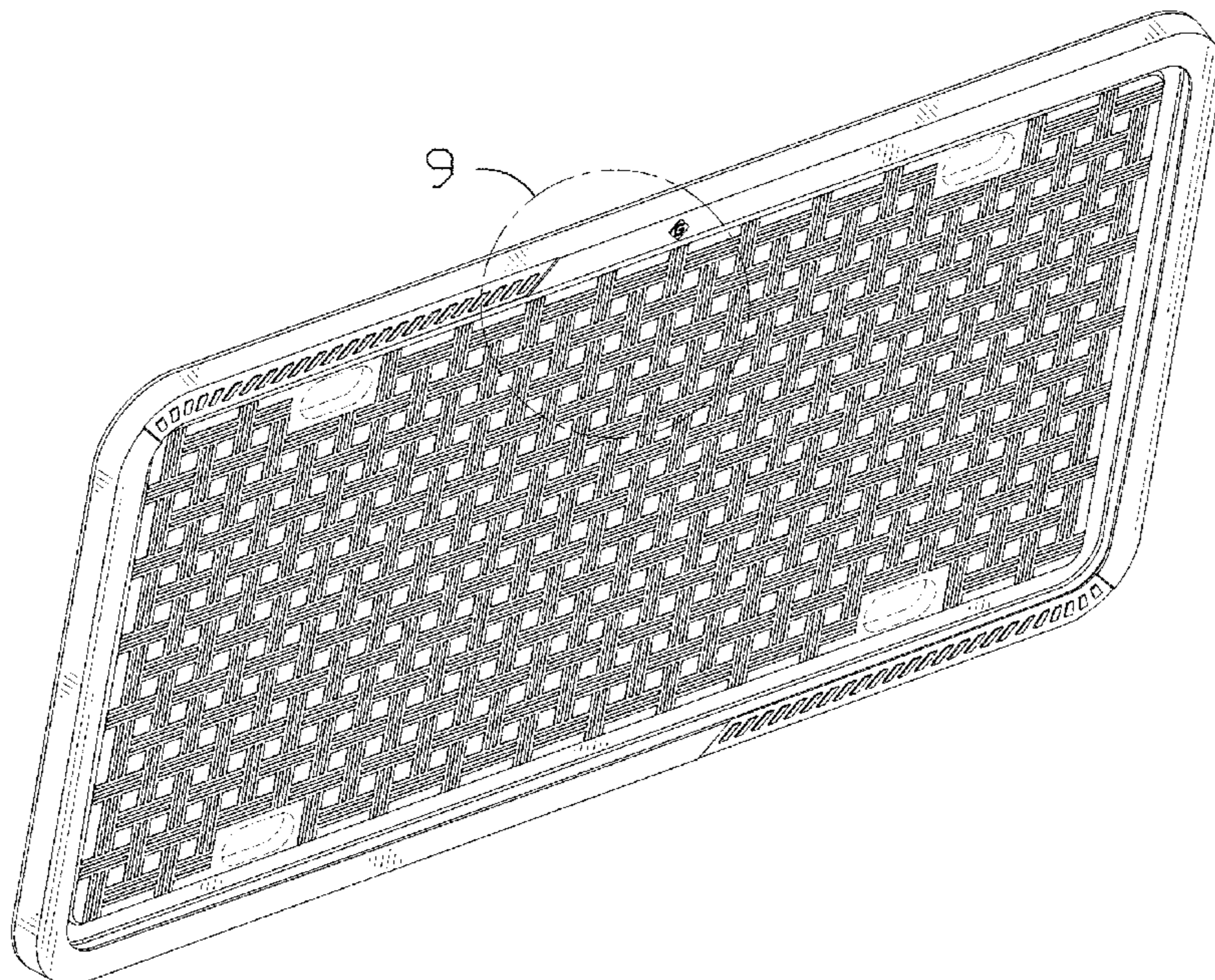
(56) **References Cited**

U.S. PATENT DOCUMENTS

D245,497 S * 8/1977 Ritch D12/193
D247,962 S * 5/1978 Hunter D12/193
D488,753 S * 4/2004 Spencer D12/193
D488,754 S * 4/2004 Spencer D12/193
D489,031 S * 4/2004 Leibman D12/193
D545,259 S * 6/2007 Stahel, Jr. D12/193
D565,113 S 3/2008 Fischer
D591,660 S * 5/2009 Kazaryan D12/193
D625,234 S * 10/2010 Vuletic D12/193

FIG. 1 is a first perspective view of a license plate frame showing my design;
FIG. 2 is a second perspective view thereof;
FIG. 3 is a front view thereof;
FIG. 4 is a back view thereof;
FIG. 5 is a left side view thereof;
FIG. 6 is a right side view thereof;
FIG. 7 is a top view thereof;
FIG. 8 is a bottom view thereof; and,
FIG. 9 is an enlarged view of the selected portion in FIG. 1. The broken lines shown in the drawings depict portions of the license plate frame in which the design is embodied that form no part of the claimed design.

1 Claim, 9 Drawing Sheets



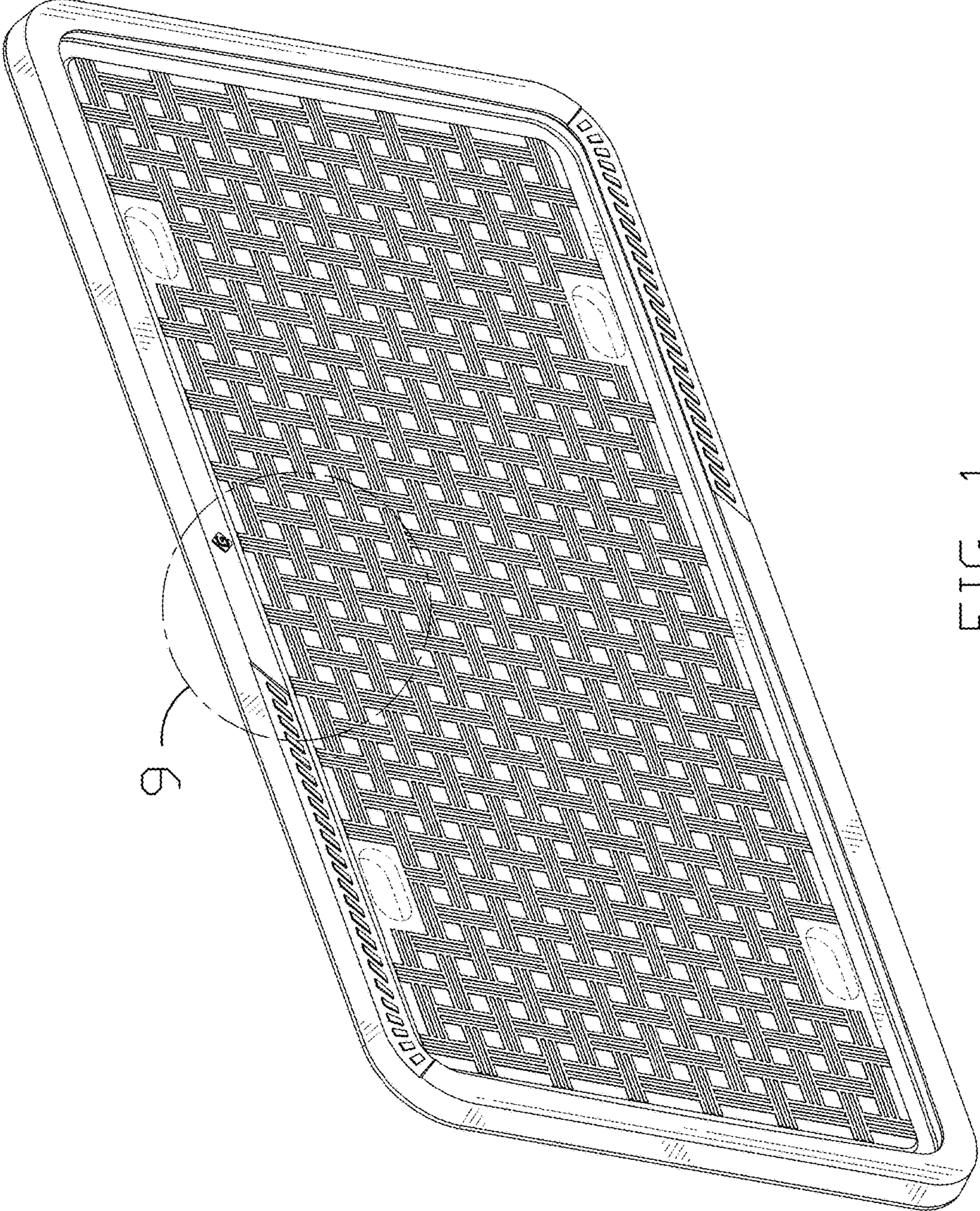


FIG. 1

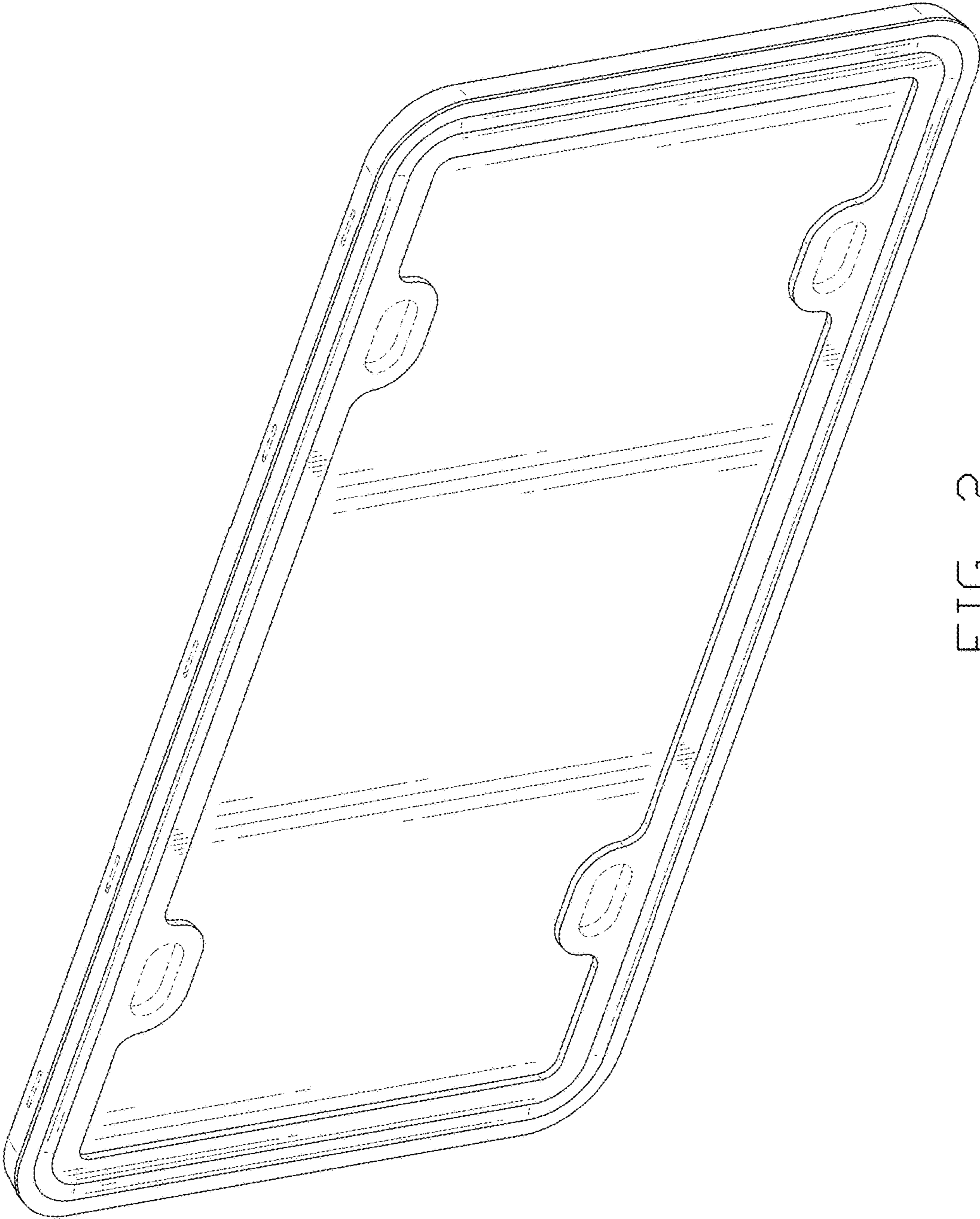


FIG. 2

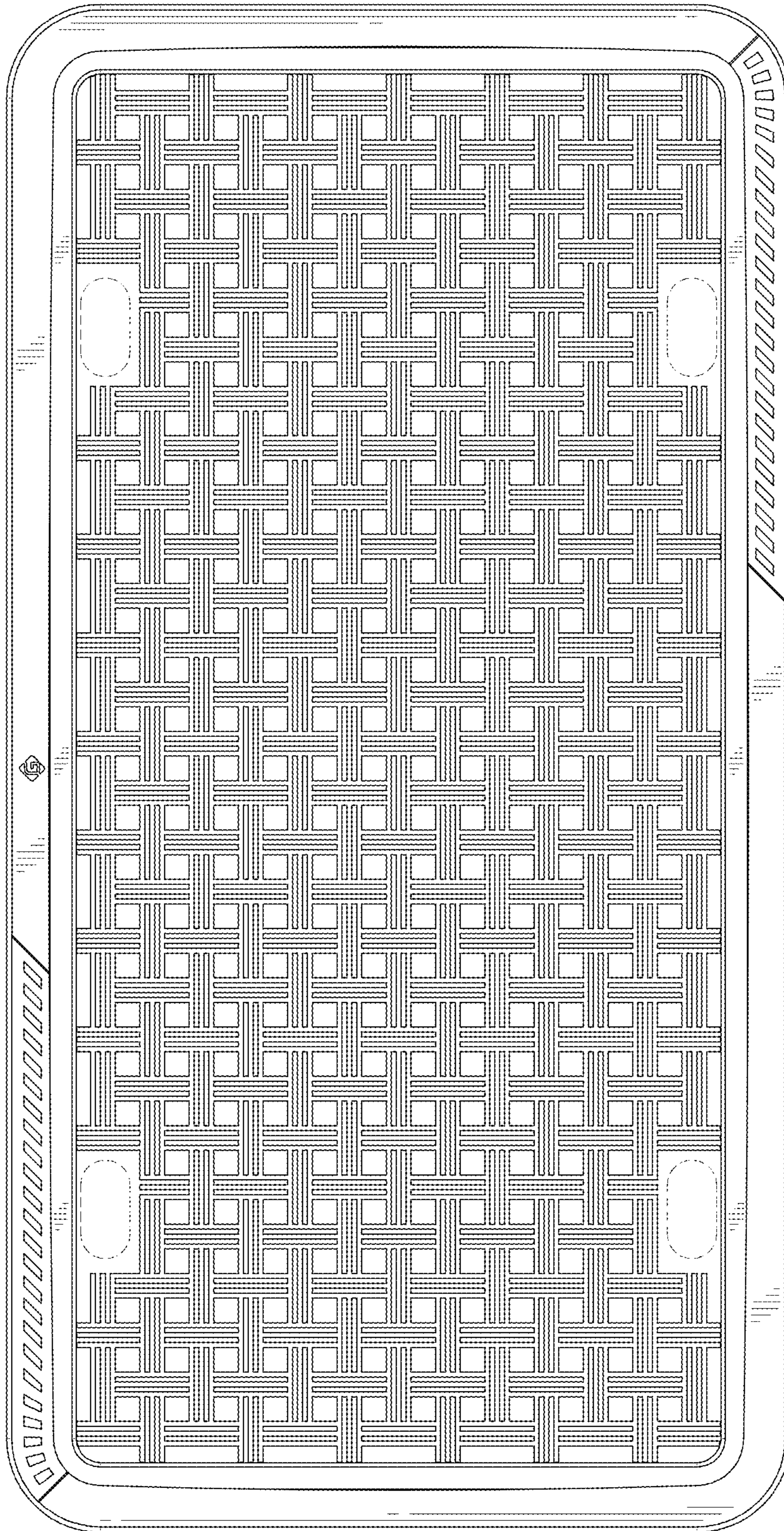


FIG. 3

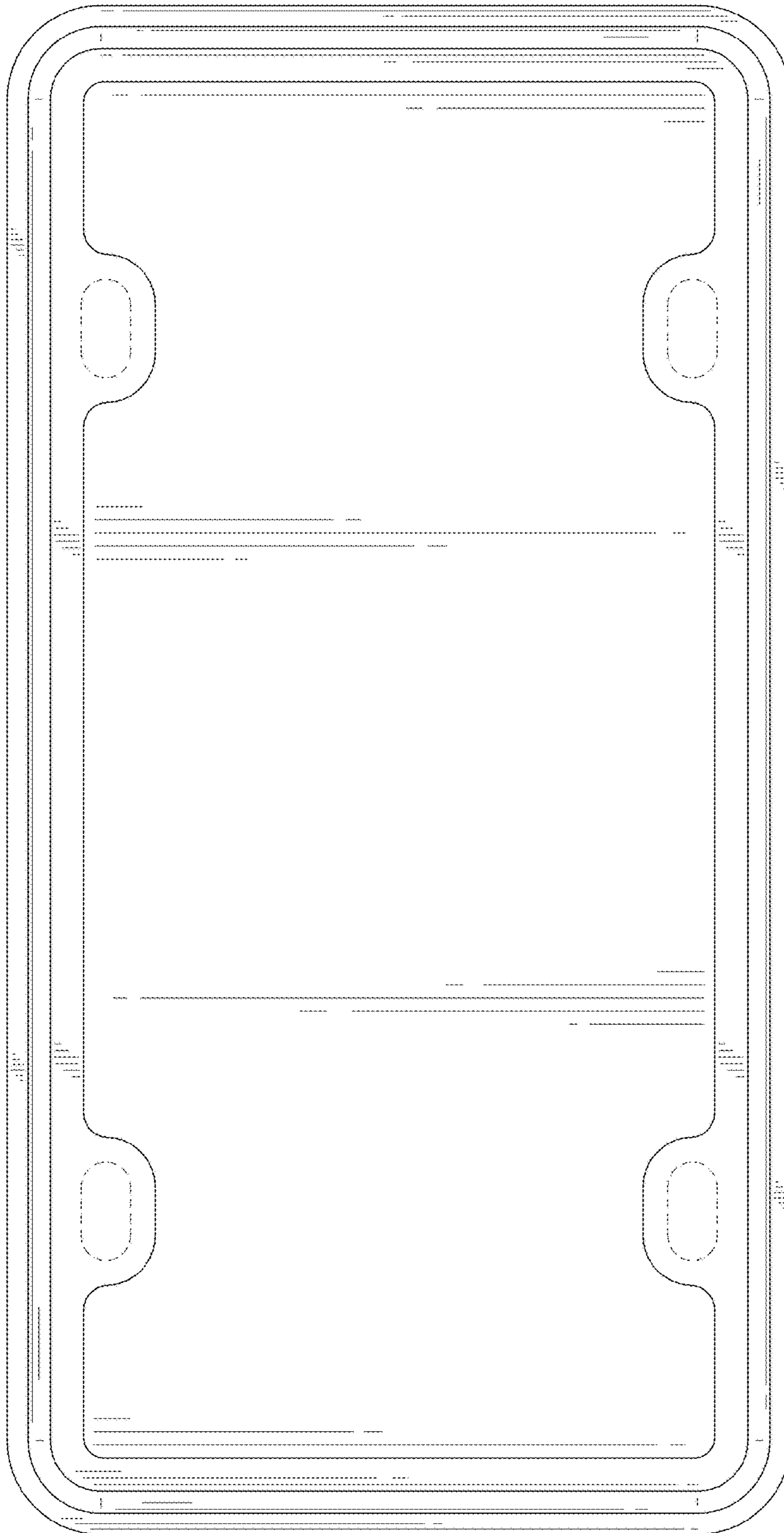


FIG. 4

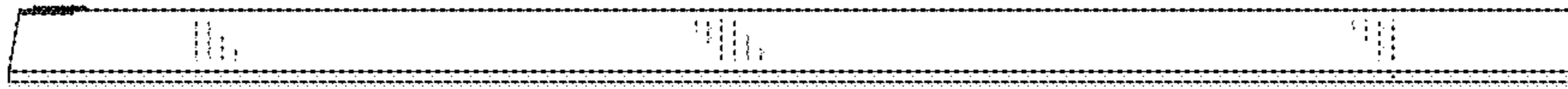


FIG. 5

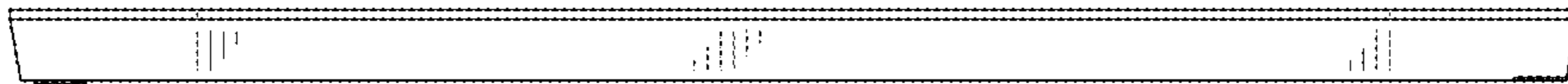


FIG. 6



FIG. 7



FIG. 8

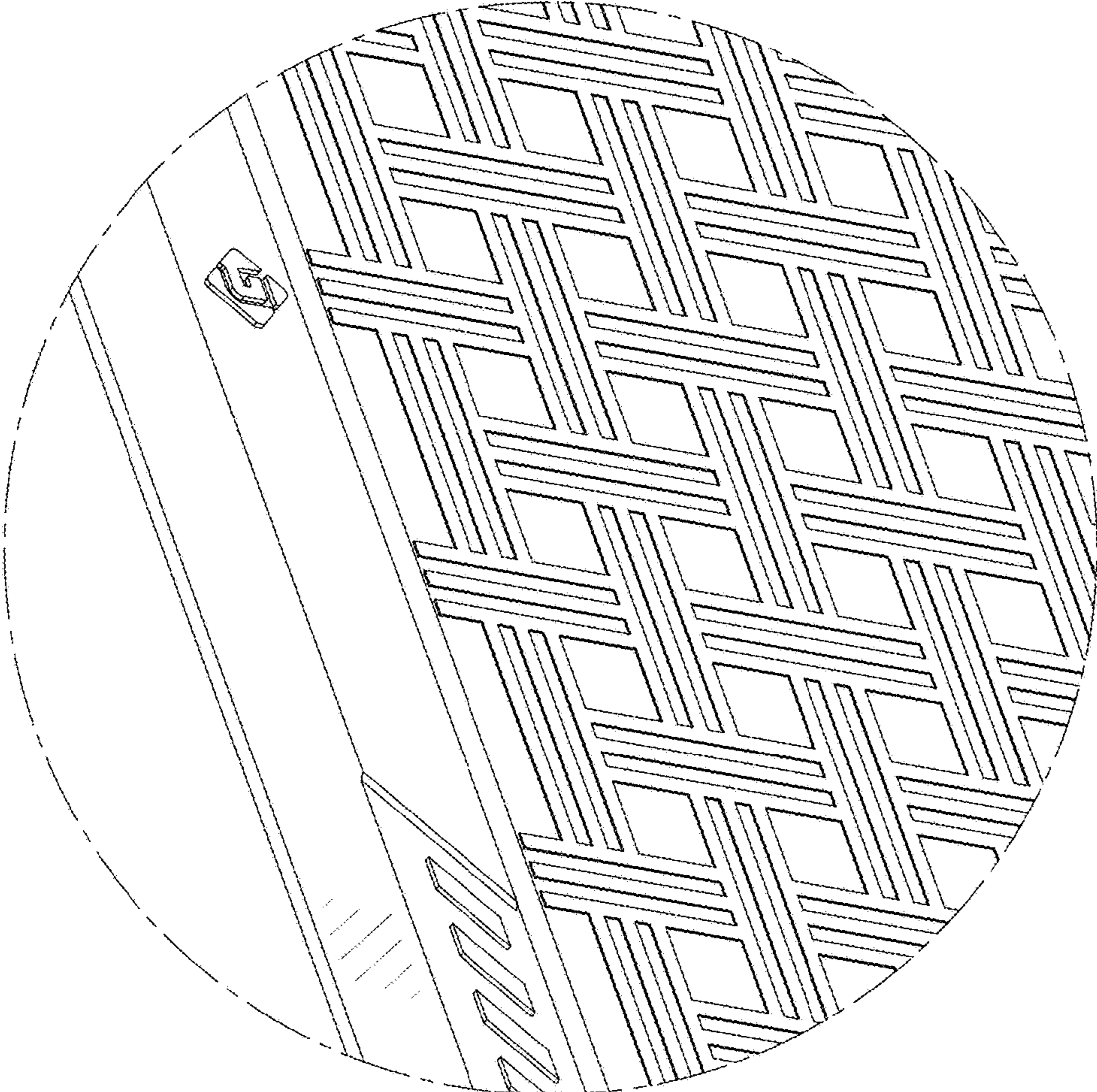


FIG. 9