



US00D863166S

(12) **United States Design Patent** (10) **Patent No.:** **US D863,166 S**
Summers (45) **Date of Patent:** **** Oct. 15, 2019**

- (54) **FLIGHT SIMULATOR PANEL**
- (71) Applicant: **Perfect Summers, LLC**, Fort Lauderdale, FL (US)
- (72) Inventor: **Marvin Summers**, Fort Lauderdale, FL (US)
- (73) Assignee: **PERFECT SUMMERS, LLC**, Fort Lauderdale, FL (US)
- (**) Term: **15 Years**
- (21) Appl. No.: **29/696,807**
- (22) Filed: **Jul. 1, 2019**

Related U.S. Application Data

- (63) Continuation-in-part of application No. 29/679,148, filed on Feb. 1, 2019, now Pat. No. Des. 855,526, and a continuation-in-part of application No. 29/696,789, filed on Jul. 1, 2019, which is a continuation-in-part of application No. 29/679,148, application No. 29/696,807, which is a continuation-in-part of application No. 29/696,800, filed on Jul. 1, 2019, which is a continuation-in-part of application No. 29/696,789, which is a continuation-in-part of application No. 29/679,148.
- (51) **LOC (12) Cl.** **12-16**
- (52) **U.S. Cl.**
USPC **D12/192**
- (58) **Field of Classification Search**
USPC D12/192, 415, 114, 345; D15/17, 28; D10/46, 98, 102-103, 122-127; D23/324
CPC B60H 1/34; B60H 1/3407; B60H 1/3414; B60H 1/3421; B60H 1/3428; B60H 1/3435; B60H 1/3442; B60H 1/345; B60H 1/3457; B60H 2001/3464; B60H 2001/3471; B60H 2001/3478; B60H 2001/3485
See application file for complete search history.

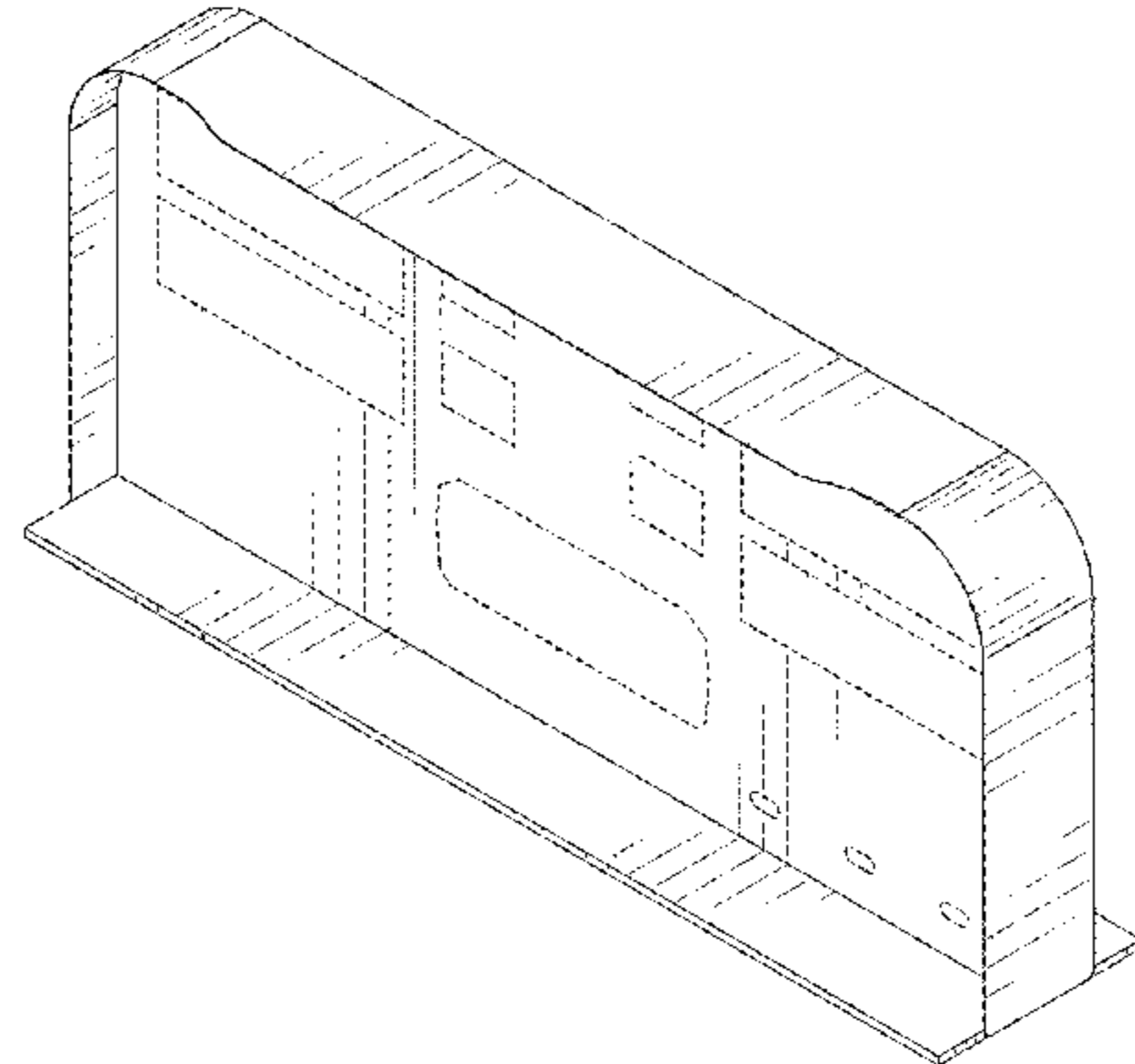
- (56) **References Cited**
- U.S. PATENT DOCUMENTS
- D411,498 S 6/1999 Pourias
- D483,310 S 12/2003 Knecht
- 6,702,229 B2 3/2004 Anderson et al.
- D493,395 S 7/2004 Hill et al.
- D602,931 S 10/2009 Kaner et al.
- D678,153 S 3/2013 Amante et al.
- D697,862 S * 1/2014 Nemeth D12/192
- (Continued)
- FOREIGN PATENT DOCUMENTS
- WO DM/066 118 11/2004
- OTHER PUBLICATIONS

Visual Flight Cockpit Panel for Saitek, http://www.mypilotstore.com/MyPilotStore/sep/13248?gclid=Cj0KCQiA-c_IBRChARIsAGCOpB33dAnhJR3KWe_S4WKPOSnnU5FaMYKxloe-Xs-jD-5RRl39JDa_xNgaAvx4EALw_wcB.

Primary Examiner — Katrina A Betton

(57) **CLAIM**
The ornamental design for a flight simulator panel, as shown and described.

DESCRIPTION
FIG. 1 is a front-top perspective view of a flight simulator panel showing my new design;
FIG. 2 is a front-bottom perspective view thereof;
FIG. 3 is a rear-top perspective view thereof;
FIG. 4 is a rear-bottom perspective view thereof;
FIG. 5 is a front elevational view thereof;
FIG. 6 is a rear elevational view thereof;
FIG. 7 is a right elevational view thereof with the left elevational view is mirrored thereto;
FIG. 8 is a top plan view thereof; and,
FIG. 9 is a bottom plan view thereof.
The broken lines showing a plurality of cut-outs and a plurality of mounting holes shown in FIGS. 1-9 are included
(Continued)



for the purpose of showing environmental structure and form no part of the claimed design.

1 Claim, 9 Drawing Sheets

(56)

References Cited

U.S. PATENT DOCUMENTS

D746,747 S	1/2016	Shapiro et al.	
D755,745 S *	5/2016	Williams	D14/126
D757,619 S *	5/2016	Da Silveira	D12/192
D758,108 S *	6/2016	Do	D6/678
D758,109 S *	6/2016	Do	D6/678
D773,375 S *	12/2016	Kasparian	D12/345
D826,814 S *	8/2018	Von Holzhausen	D12/192
D835,553 S *	12/2018	Barber	D12/192
D836,510 S *	12/2018	Nakai	D12/192
D840,305 S *	2/2019	Chang	D12/192
D843,288 S *	3/2019	Fontaeus	D12/192

* cited by examiner

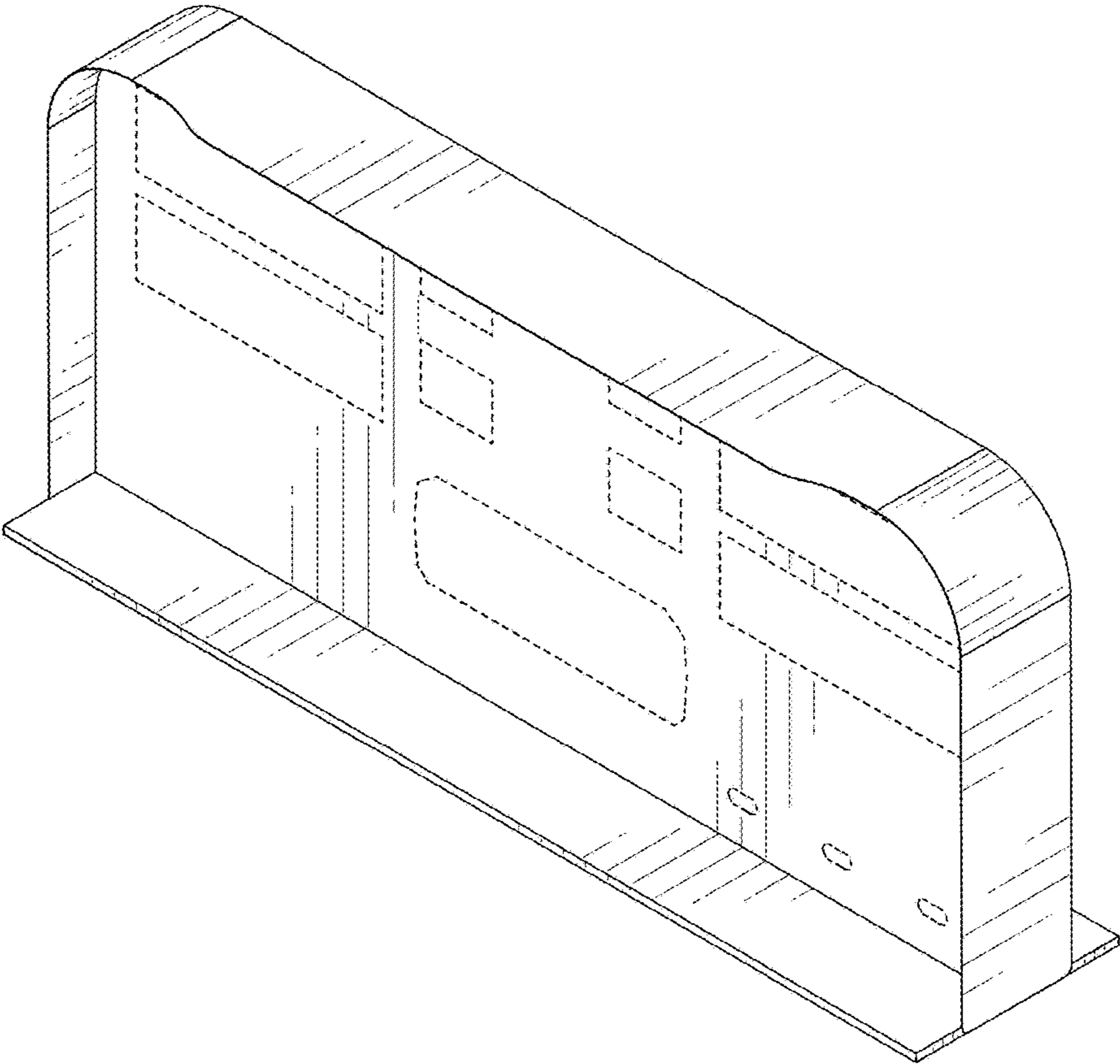


FIG. 1

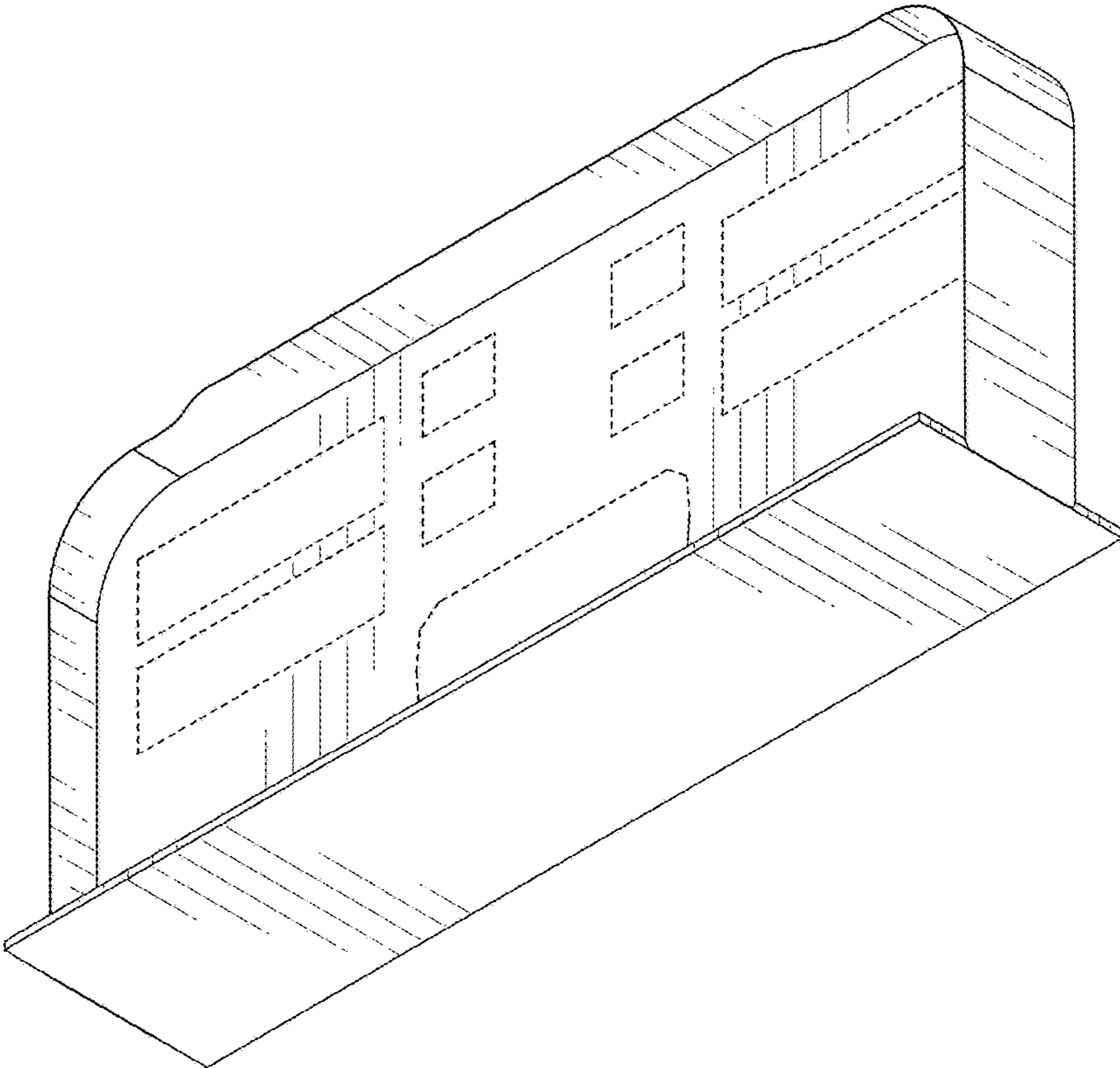


FIG. 2

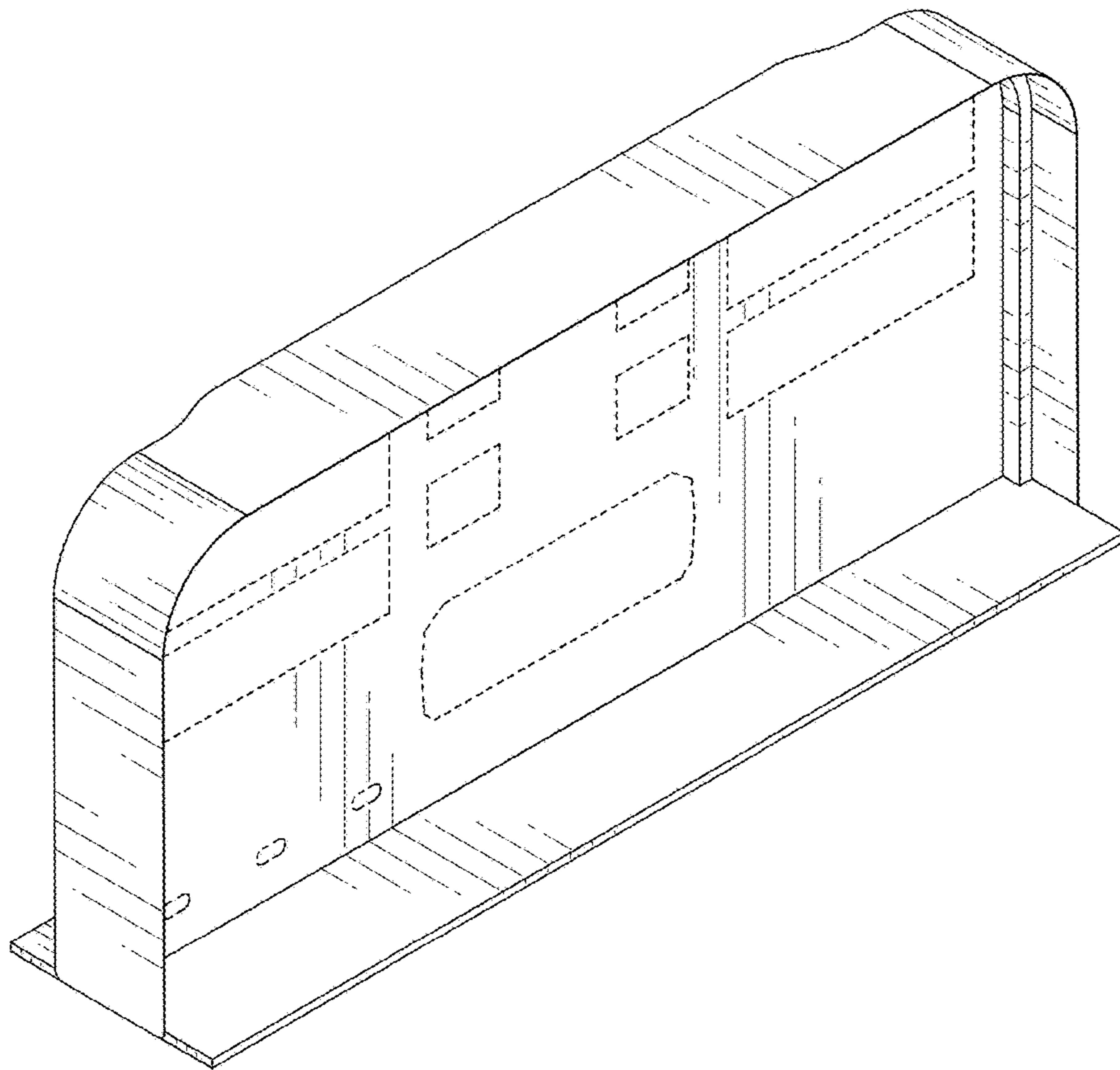


FIG. 3

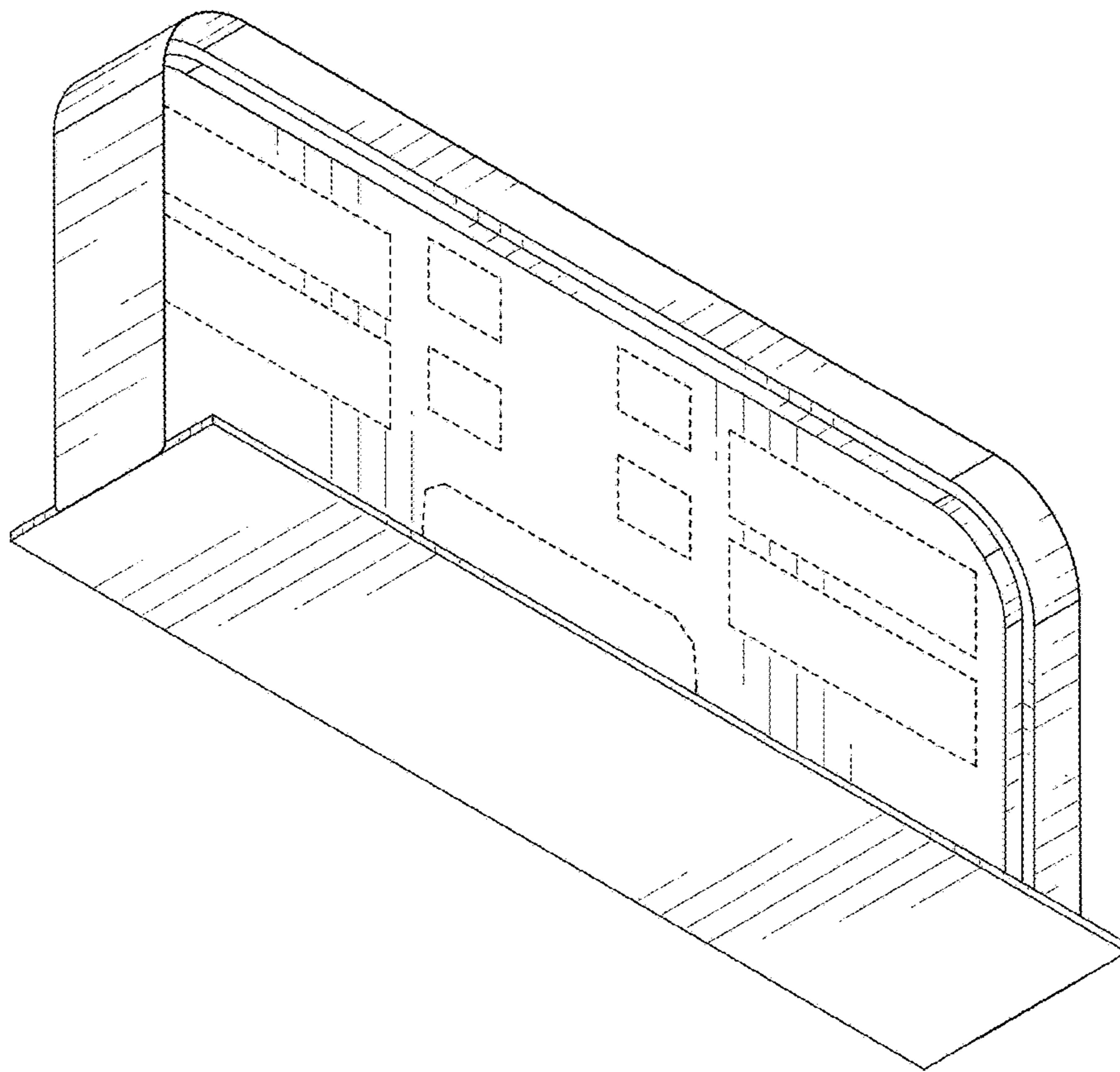


FIG. 4

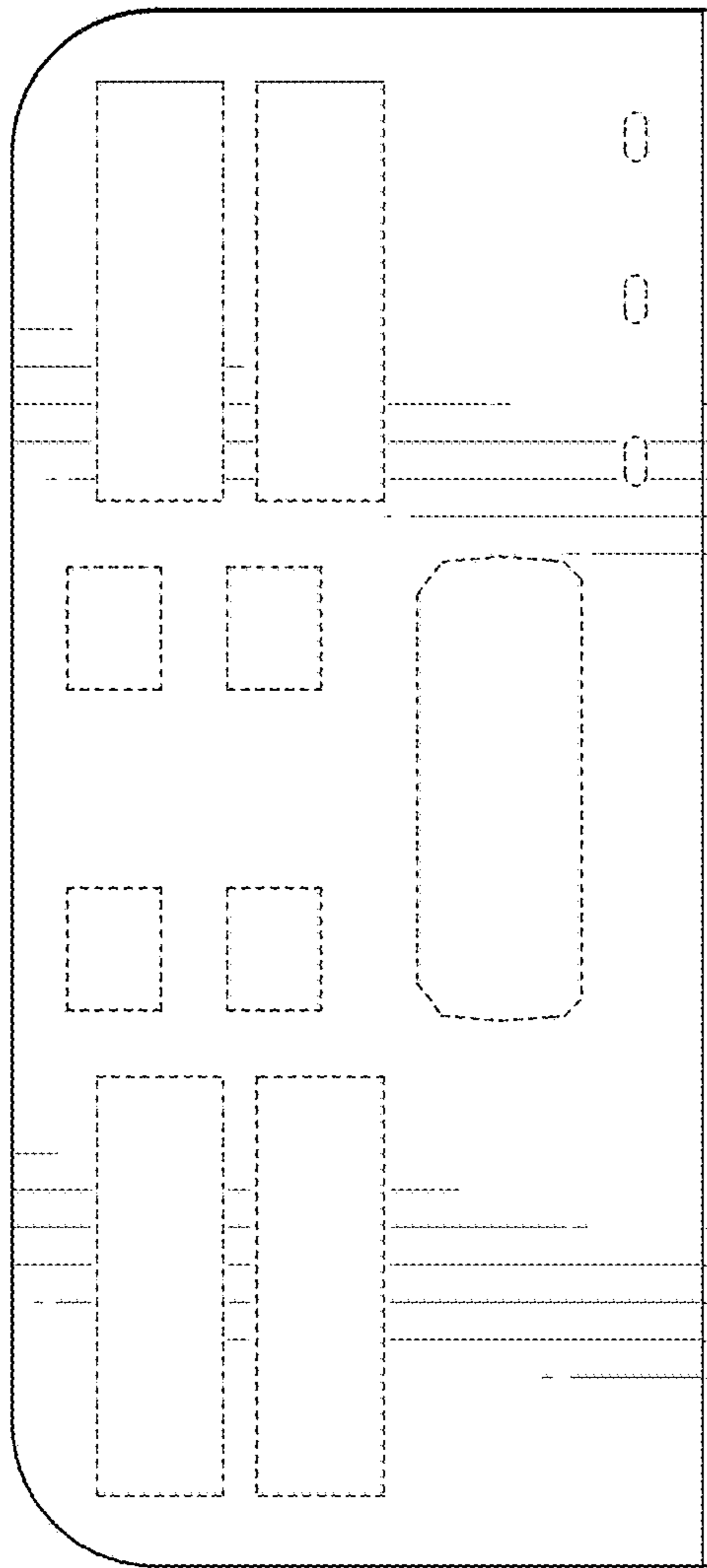


FIG. 5

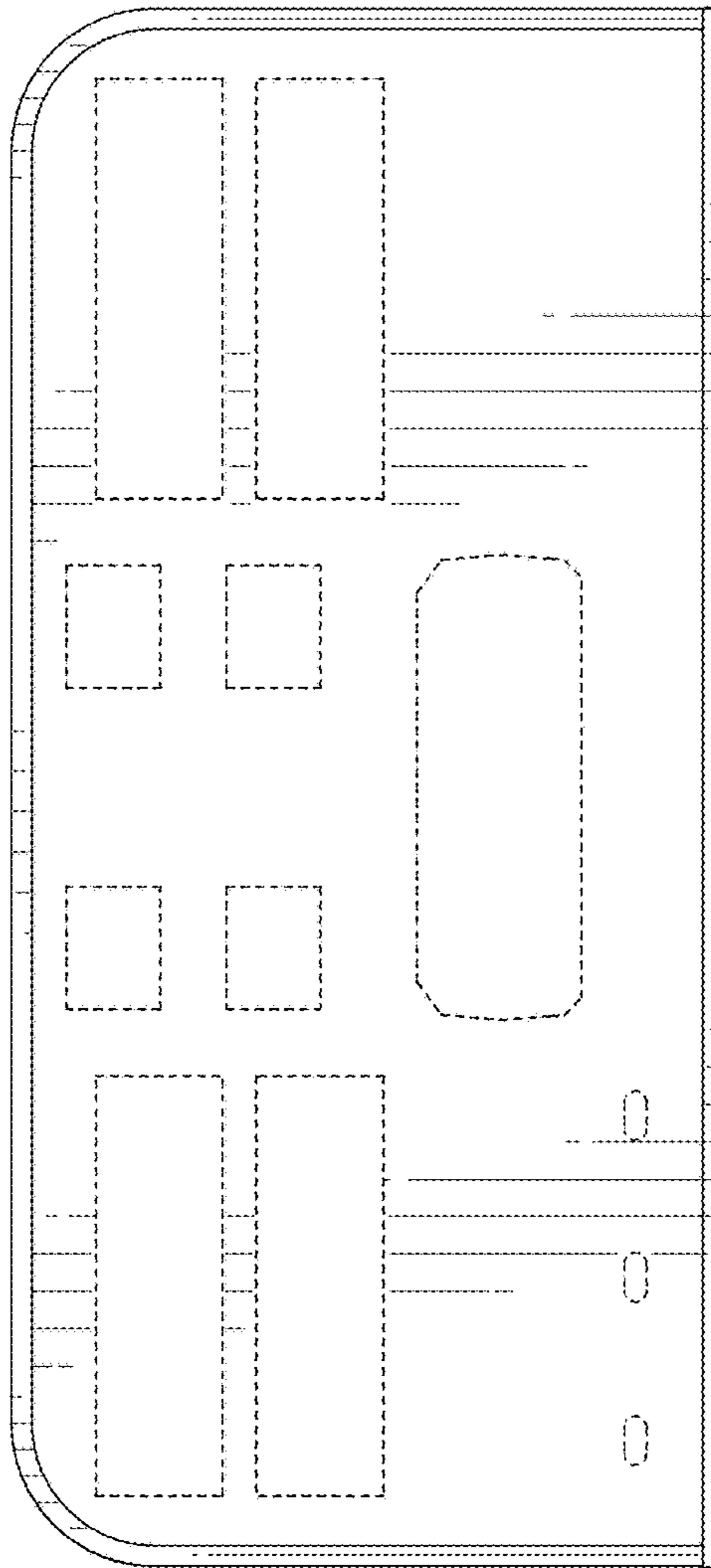


FIG. 6

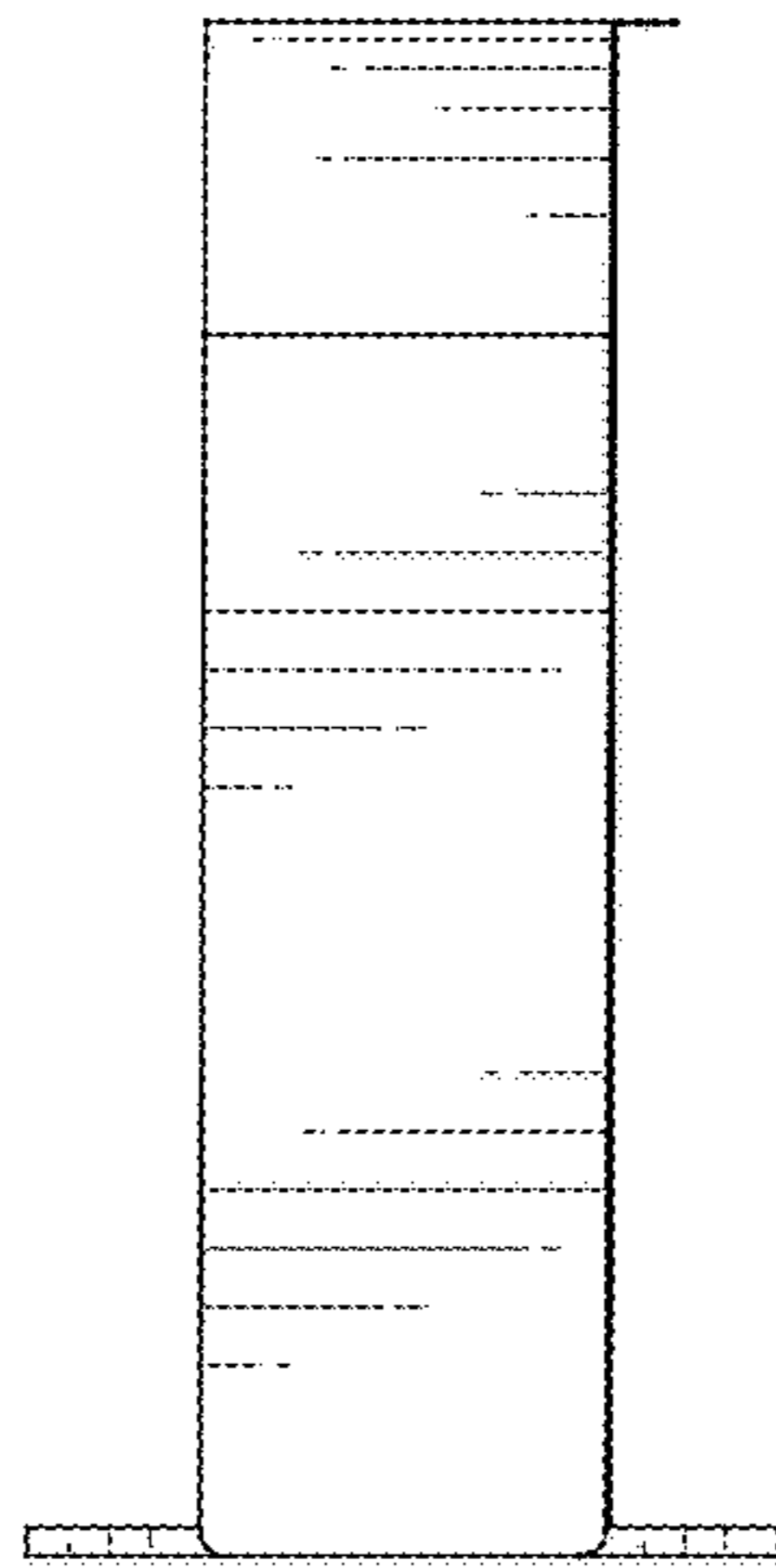


FIG. 7

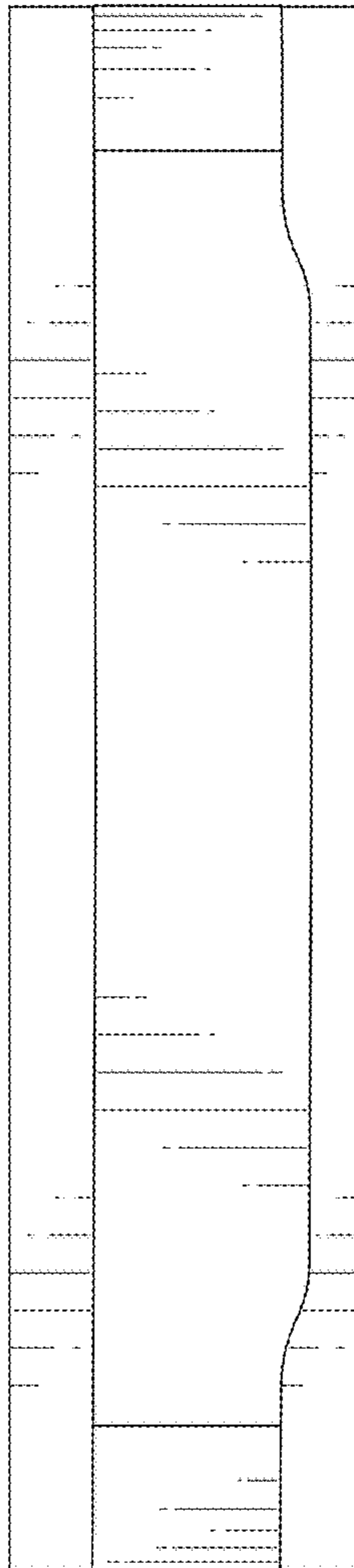


FIG. 8

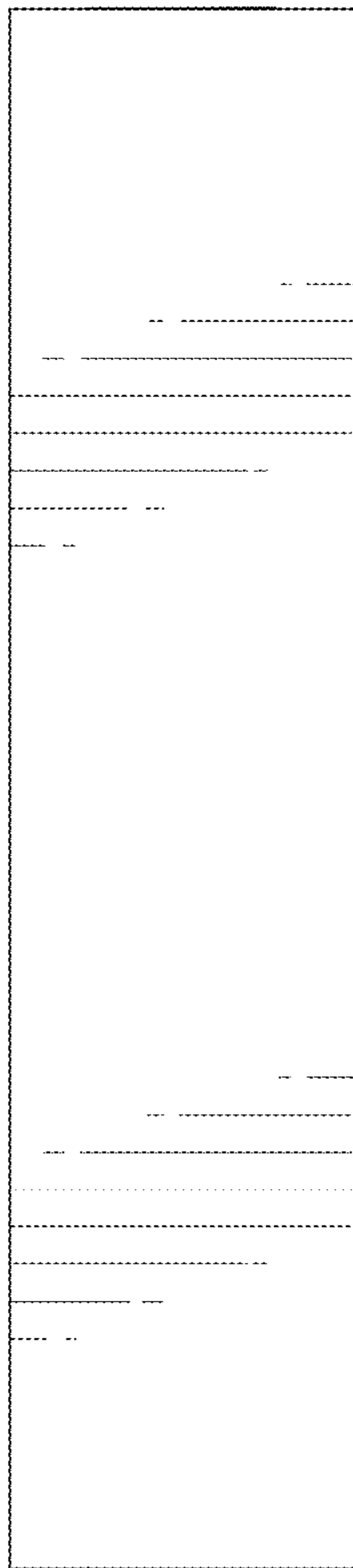


FIG. 9