



US00D863164S

(12) **United States Design Patent** (10) **Patent No.:** **US D863,164 S**
Summers (45) **Date of Patent:** **** Oct. 15, 2019**

(54) **FLIGHT SIMULATOR PANEL**
(71) Applicant: **Perfect Summers, LLC**, Fort Lauderdale, FL (US)
(72) Inventor: **Marvin Summers**, Fort Lauderdale, FL (US)
(73) Assignee: **PERFECT SUMMERS, LLC**, Fort Lauderdale, FL (US)

D746,747 S 1/2016 Shapiro et al.
D755,745 S * 5/2016 Williams D14/126
D757,619 S * 5/2016 Da Silveira D12/192
D758,108 S * 6/2016 Do D6/678
D758,109 S * 6/2016 Do D6/678
D773,375 S * 12/2016 Kasparian D12/345
D826,814 S * 8/2018 Von Holzhausen D12/192
D835,553 S * 12/2018 Barber D12/192

(Continued)

(**) Term: **15 Years**
(21) Appl. No.: **29/696,789**
(22) Filed: **Jul. 1, 2019**

FOREIGN PATENT DOCUMENTS

WO DM/066 118 11/2004

OTHER PUBLICATIONS

Visual Flight Cockpit Panel for Saitek, http://www.mypilotstore.com/MyPilotStore/sep/13248?gclid=Cj0KCQiA-c_iBRChARIsAGCOpB33dAnhJR3KWe_S4WKPOSnnU5FaMYKxloe-Xs-jD-5RRI39JDa_xNgaAvx4EALw_wcB.

Primary Examiner — Katrina A Betton

Related U.S. Application Data
(63) Continuation-in-part of application No. 29/679,148, filed on Feb. 1, 2019, now Pat. No. Des. 855,526.
(51) **LOC (12) Cl.** **12-16**
(52) **U.S. Cl.**
USPC **D12/192**
(58) **Field of Classification Search**
USPC D12/192, 415, 114, 345; D15/17, 28; D10/46, 98, 102-103, 122-127; D23/324
CPC B60H 1/34; B60H 1/3407; B60H 1/3414; B60H 1/3421; B60H 1/3428; B60H 1/3435; B60H 1/3442; B60H 1/345; B60H 1/3457; B60H 2001/3464; B60H 2001/3471; B60H 2001/3478; B60H 2001/3485
See application file for complete search history.

(57) **CLAIM**

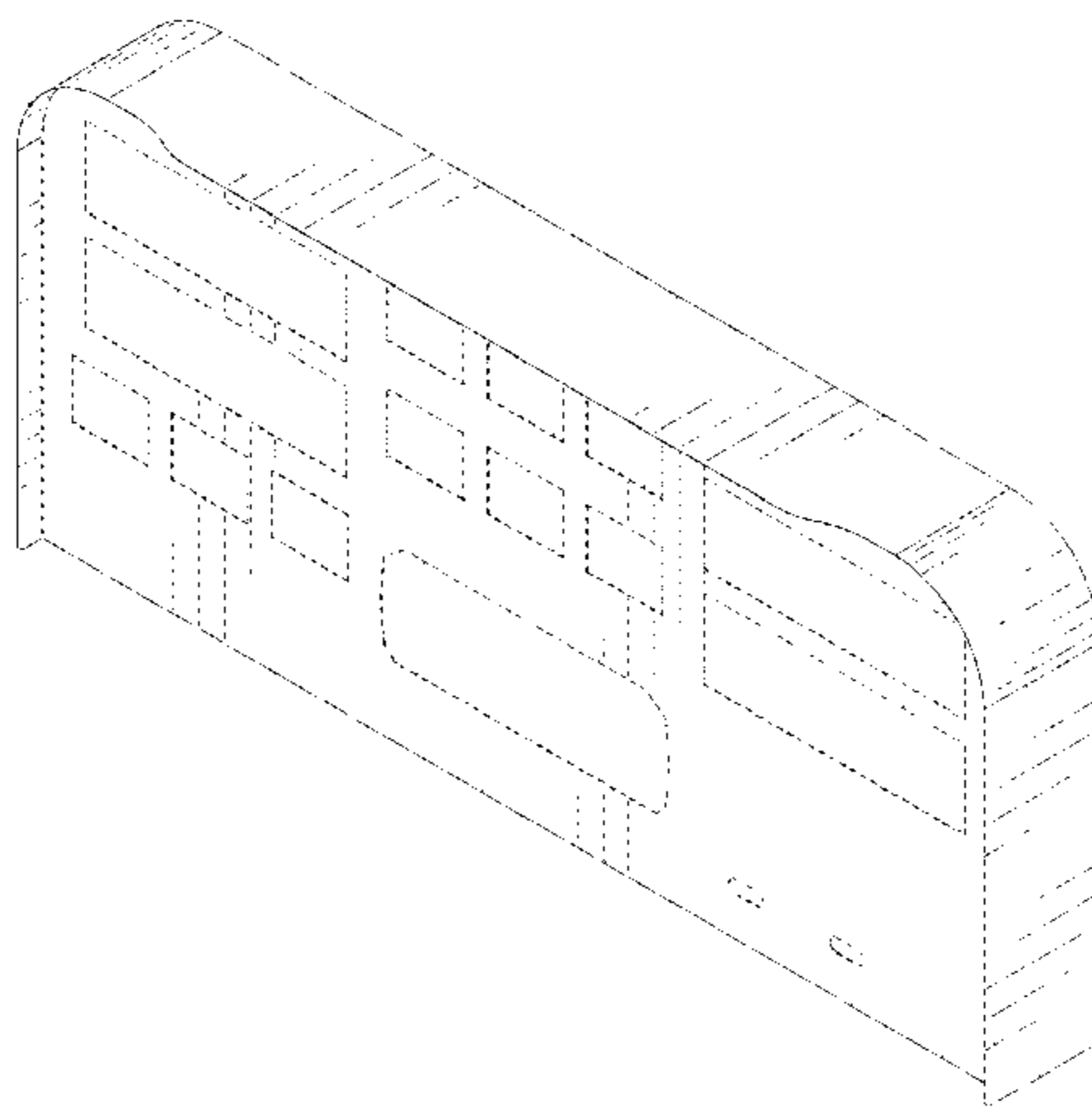
The ornamental design for a flight simulator panel, as shown and described.

DESCRIPTION

FIG. 1 is a front-top perspective view of a flight simulator panel showing my new design;
FIG. 2 is a front-bottom perspective view thereof;
FIG. 3 is a rear-top perspective view thereof;
FIG. 4 is a rear-bottom perspective view thereof;
FIG. 5 is a front elevational view thereof;
FIG. 6 is a rear elevational view thereof;
FIG. 7 is a right elevational view thereof with the left elevational view is mirrored thereto;
FIG. 8 is a top plan view thereof; and,
FIG. 9 is a bottom plan view thereof.
The broken lines showing a plurality of cut-outs and a plurality of mounting holes shown in FIGS. 1-9 are included for the purpose of showing environmental structure and form no part of the claimed design.

(56) **References Cited**
U.S. PATENT DOCUMENTS
D411,498 S 6/1999 Pourias
D483,310 S 12/2003 Knecht
6,702,229 B2 3/2004 Anderson et al.
D493,395 S 7/2004 Hill et al.
D602,931 S 10/2009 Kaner et al.
D678,153 S 3/2013 Amante et al.
D697,862 S * 1/2014 Nemeth D12/192

1 Claim, 9 Drawing Sheets



(56)

References Cited

U.S. PATENT DOCUMENTS

D836,510 S * 12/2018 Nakai D12/192
D840,305 S * 2/2019 Chang D12/192
D843,288 S * 3/2019 Fontaeus D12/192

* cited by examiner

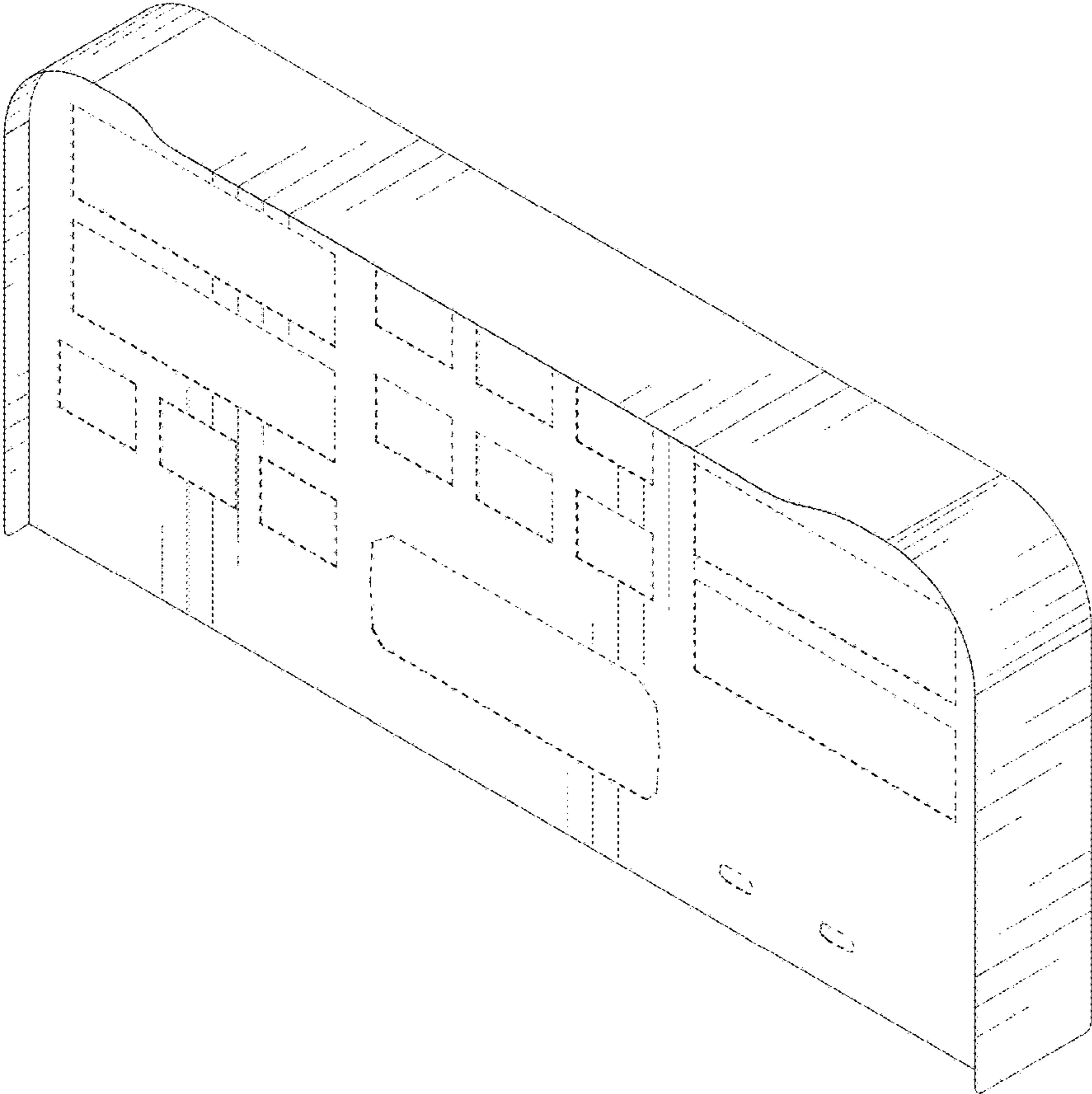


FIG. 1

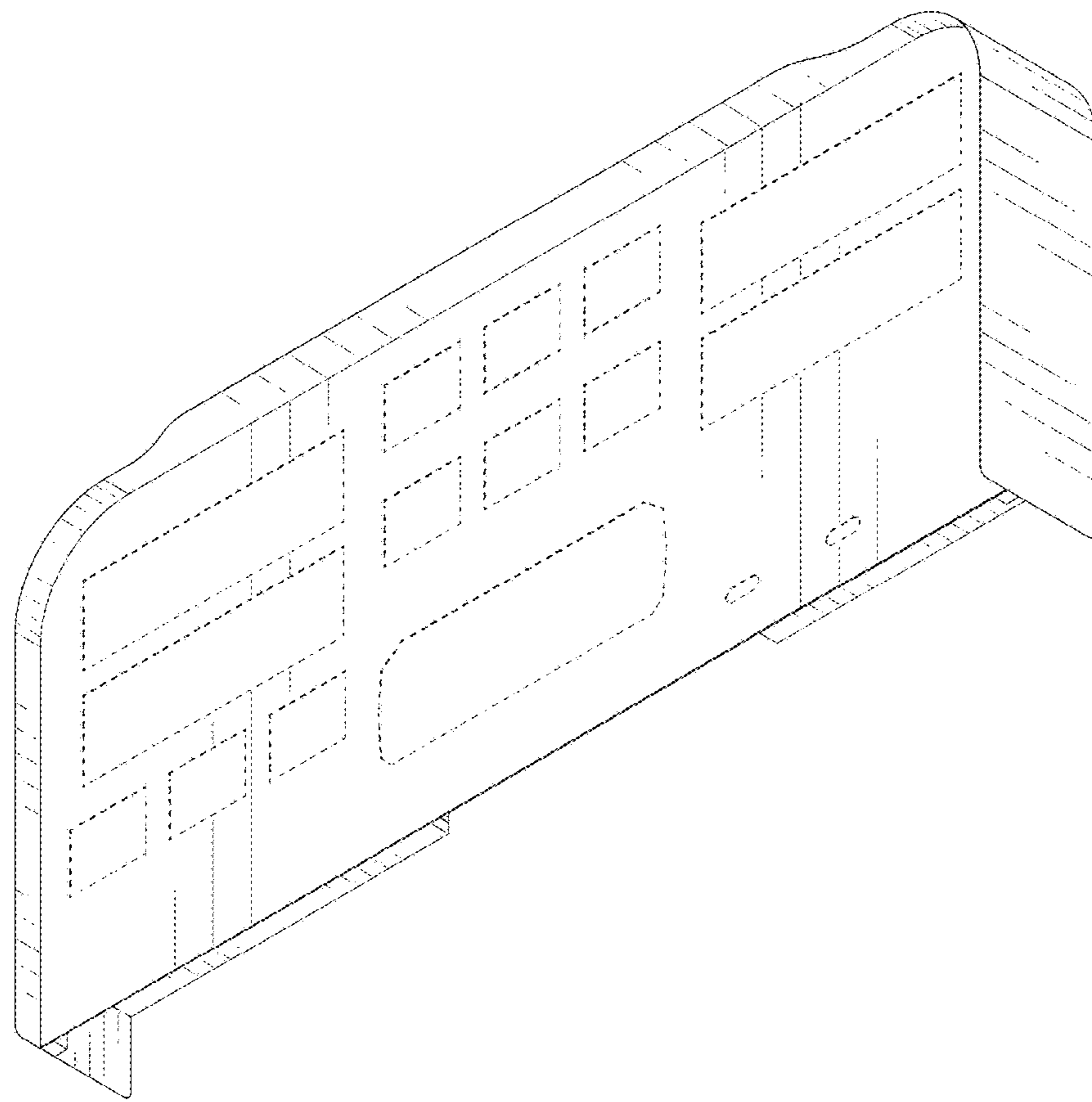


FIG. 2

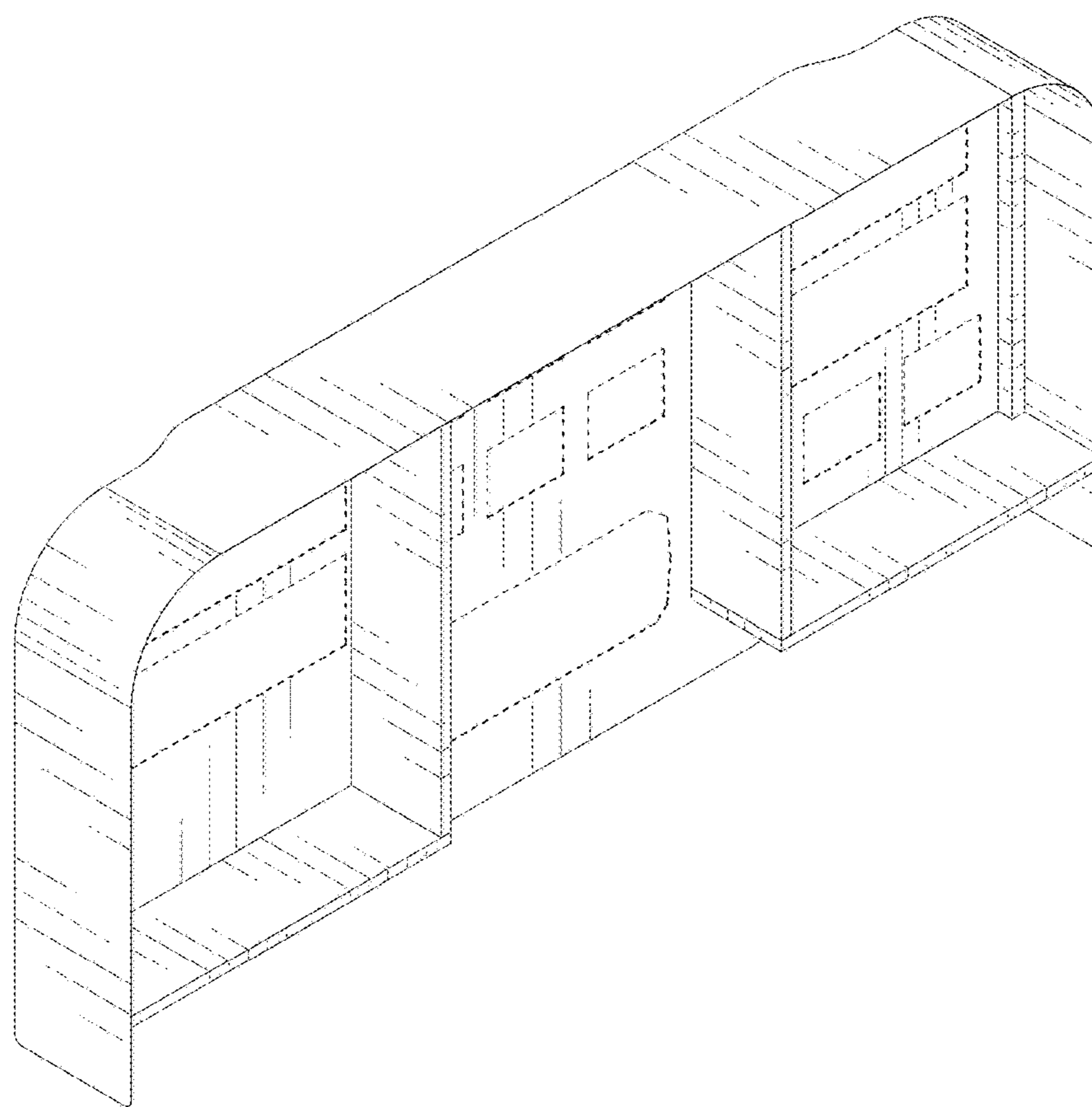


FIG. 3

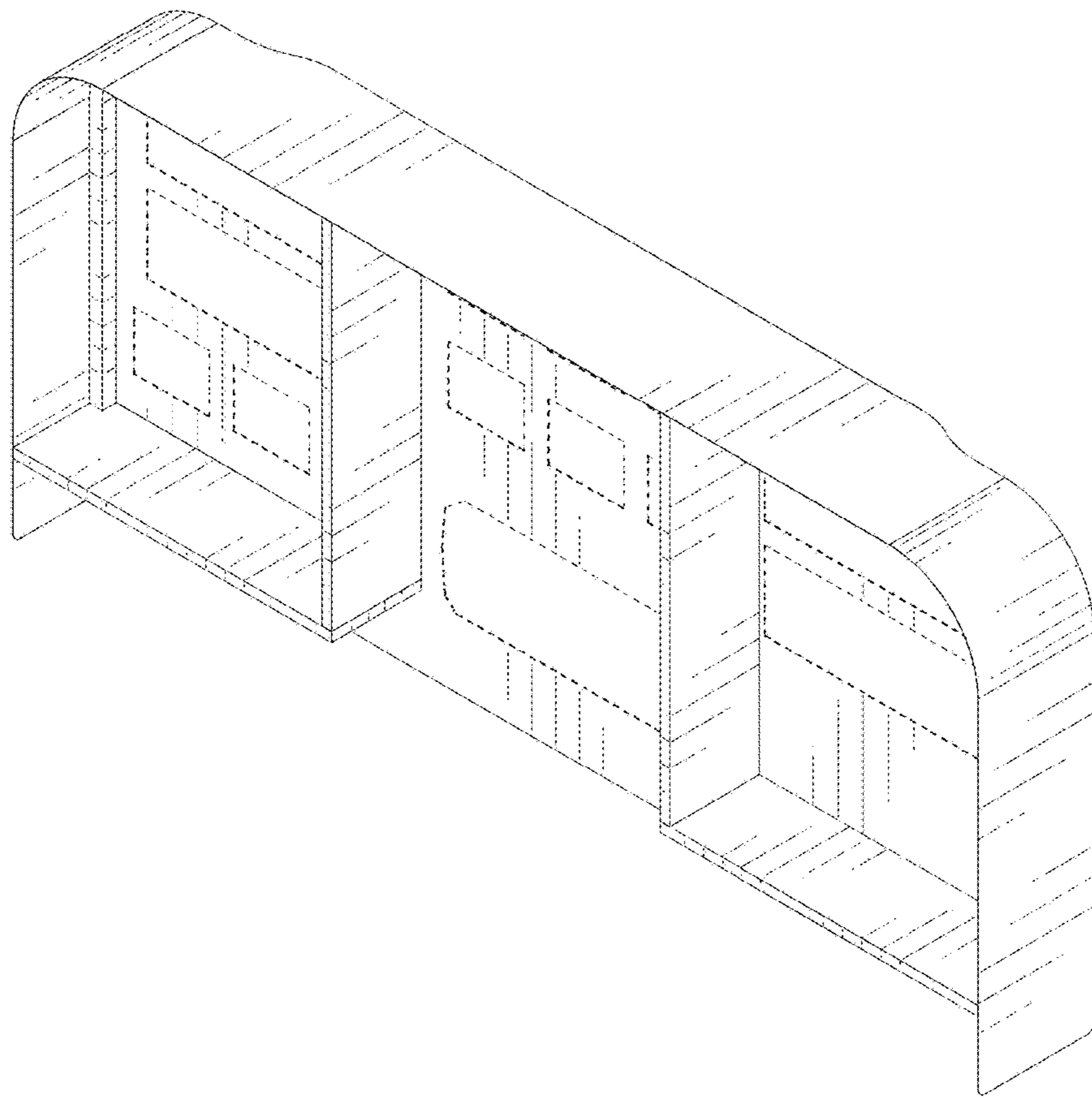


FIG. 4

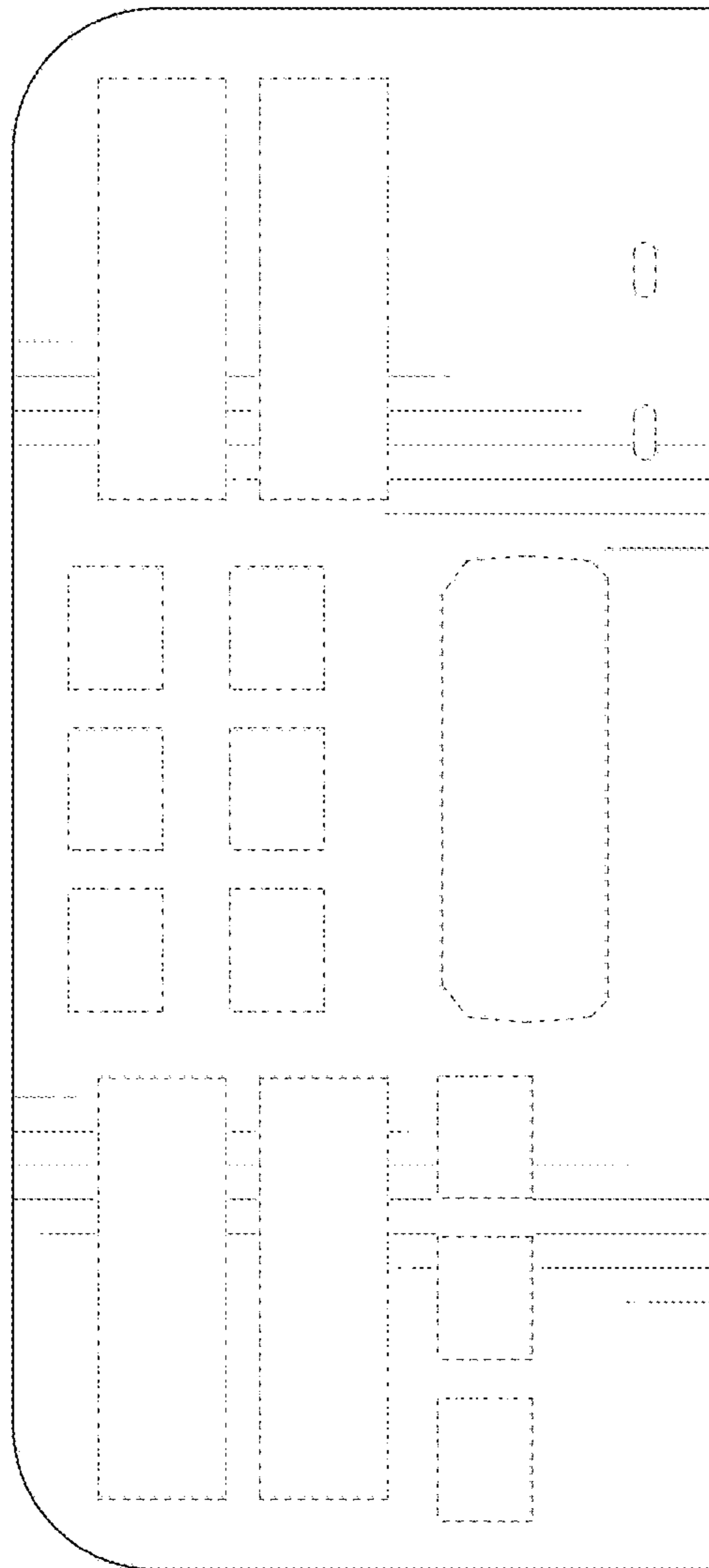


FIG. 5

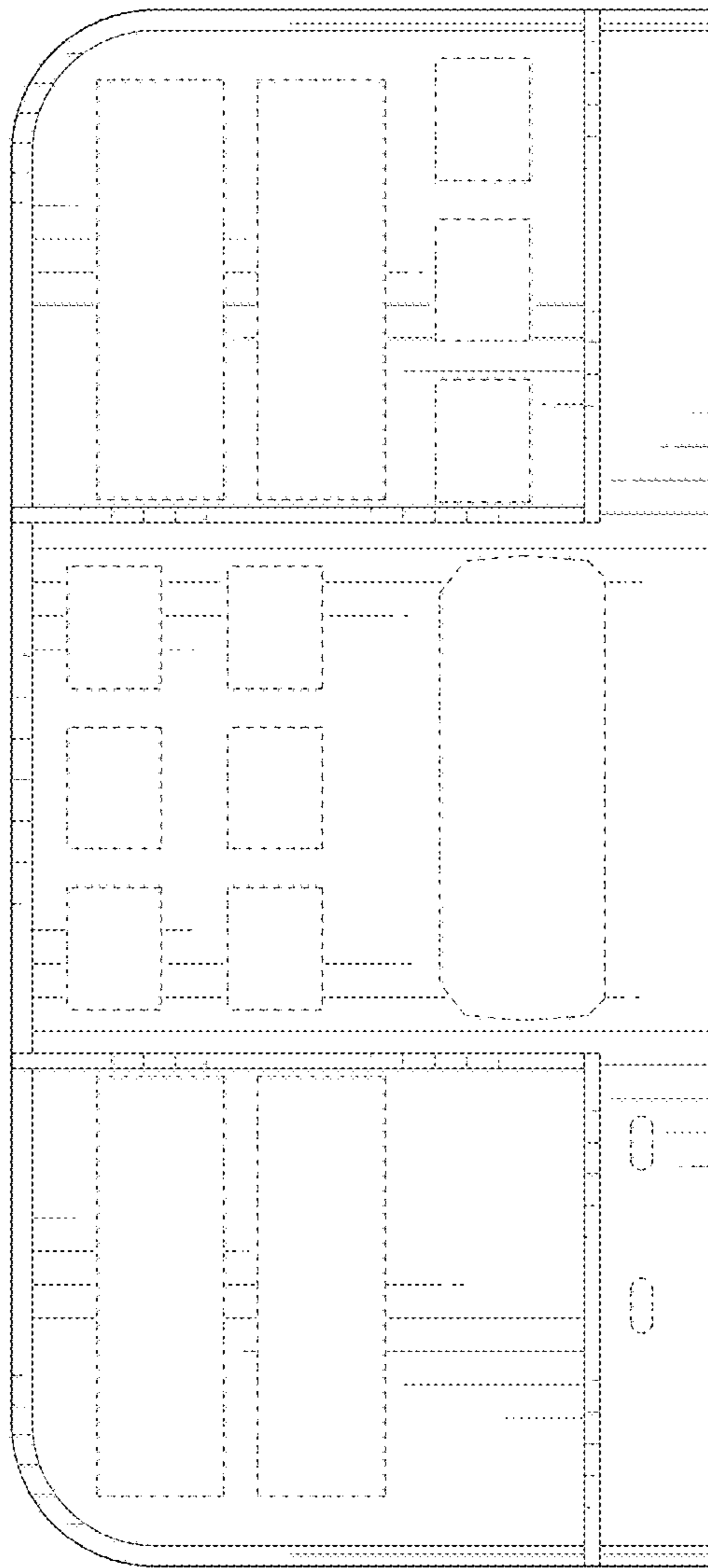


FIG. 6

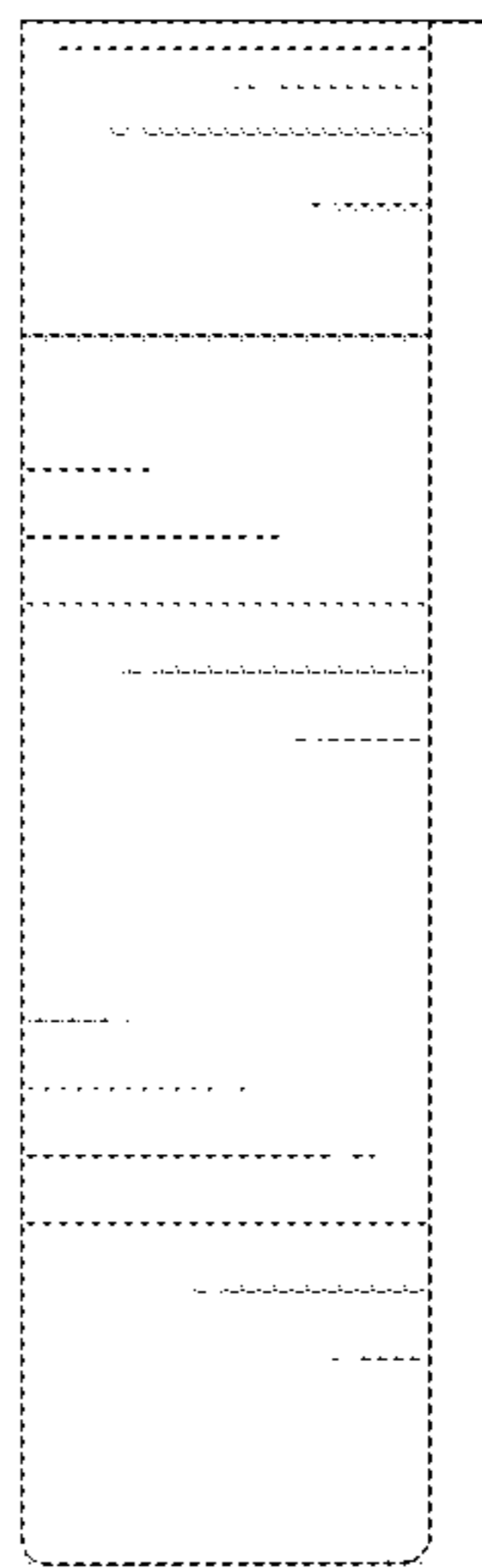


FIG. 7



FIG. 8

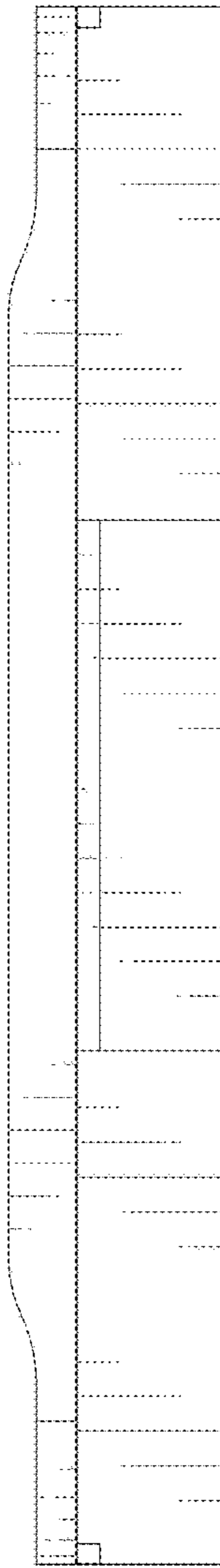


FIG. 9