



US00D863163S

(12) **United States Design Patent** (10) **Patent No.:** **US D863,163 S**
Dabel et al. (45) **Date of Patent:** **** Oct. 15, 2019**

- (54) **INSTRUMENT CLUSTER FOR VEHICLE**
- (71) Applicant: **Volvo Lastvagnar AB**, Göteborg (SE)
- (72) Inventors: **Jason Dabel**, Greensboro, NC (US);
Adriana Perez-Cross, Greensboro, NC (US); **Brian Balicki**, Kernersville, NC (US)
- (73) Assignee: **Volvo Lastvagnar AB**, Göteborg (SE)
- (**) Term: **15 Years**
- (21) Appl. No.: **29/644,815**
- (22) Filed: **Apr. 20, 2018**

D800,040 S	10/2017	Kasano	
D803,743 S	11/2017	Igarashi	
D804,380 S	12/2017	Nakai	
D807,266 S	1/2018	Hasegawa	
D808,874 S *	1/2018	Gao	D12/192
D810,641 S *	2/2018	Bae	D12/192
D810,643 S	2/2018	Takamura	
D812,536 S	3/2018	Matsuda	
D813,128 S *	3/2018	Bischoff	D12/192
D820,753 S *	6/2018	Lee	D12/192
2008/0161997 A1 *	7/2008	Wengelnik	B60K 35/00 701/36
2016/0291806 A1 *	10/2016	Civiero	G06F 3/0482
2016/0297368 A1	10/2016	Huebner	
2017/0162168 A1 *	6/2017	Lopez	G09G 5/006
2017/0359455 A1 *	12/2017	Weinberg	H04M 1/7253

* cited by examiner

Related U.S. Application Data

- (62) Division of application No. 29/600,055, filed on Apr. 10, 2017.
- (51) **LOC (12) Cl.** **12-16**
- (52) **U.S. Cl.**
USPC **D12/192**
- (58) **Field of Classification Search**
USPC D12/192, 415, 418, 419, 110, 114, 345;
D15/17, 28; D10/46, 98, 102-103,
D10/122-127
CPC G08G 1/096883; G01C 21/16; G01C
21/3688; G01C 21/30
See application file for complete search history.

(56) **References Cited**

U.S. PATENT DOCUMENTS

D791,660 S *	7/2017	Arceo	D12/192
D791,664 S	7/2017	Igarashi	
D793,931 S	8/2017	Lee	
D799,389 S *	10/2017	Lee	D12/192

Primary Examiner — Katrina A Betton

(74) *Attorney, Agent, or Firm* — Tucker Ellis LLP

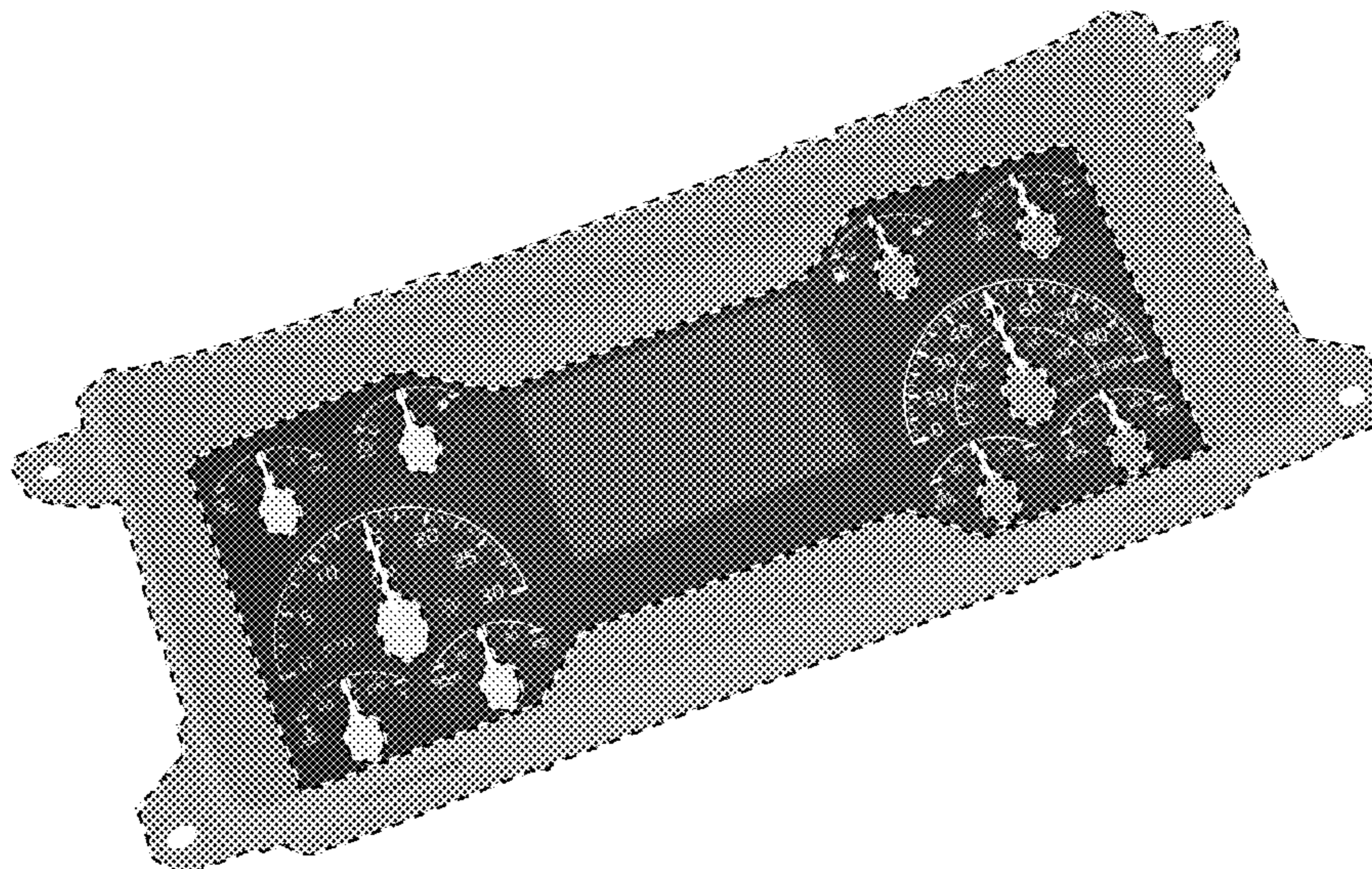
(57) **CLAIM**

The ornamental design for an instrument cluster for vehicle, as shown and described.

DESCRIPTION

FIG. 1 is a perspective view of an instrument cluster for vehicle showing our new design;
 FIG. 2 is a front view thereof;
 FIG. 3 is a perspective view of the instrument cluster for vehicle with another embodiment of a front face thereof; and,
 FIG. 4 is a front view thereof.
 The broken lines and de-emphasized portions shown inside the broken lines in the drawings illustrate portions of the instrument cluster for vehicle that form no part of the claimed design.

1 Claim, 2 Drawing Sheets



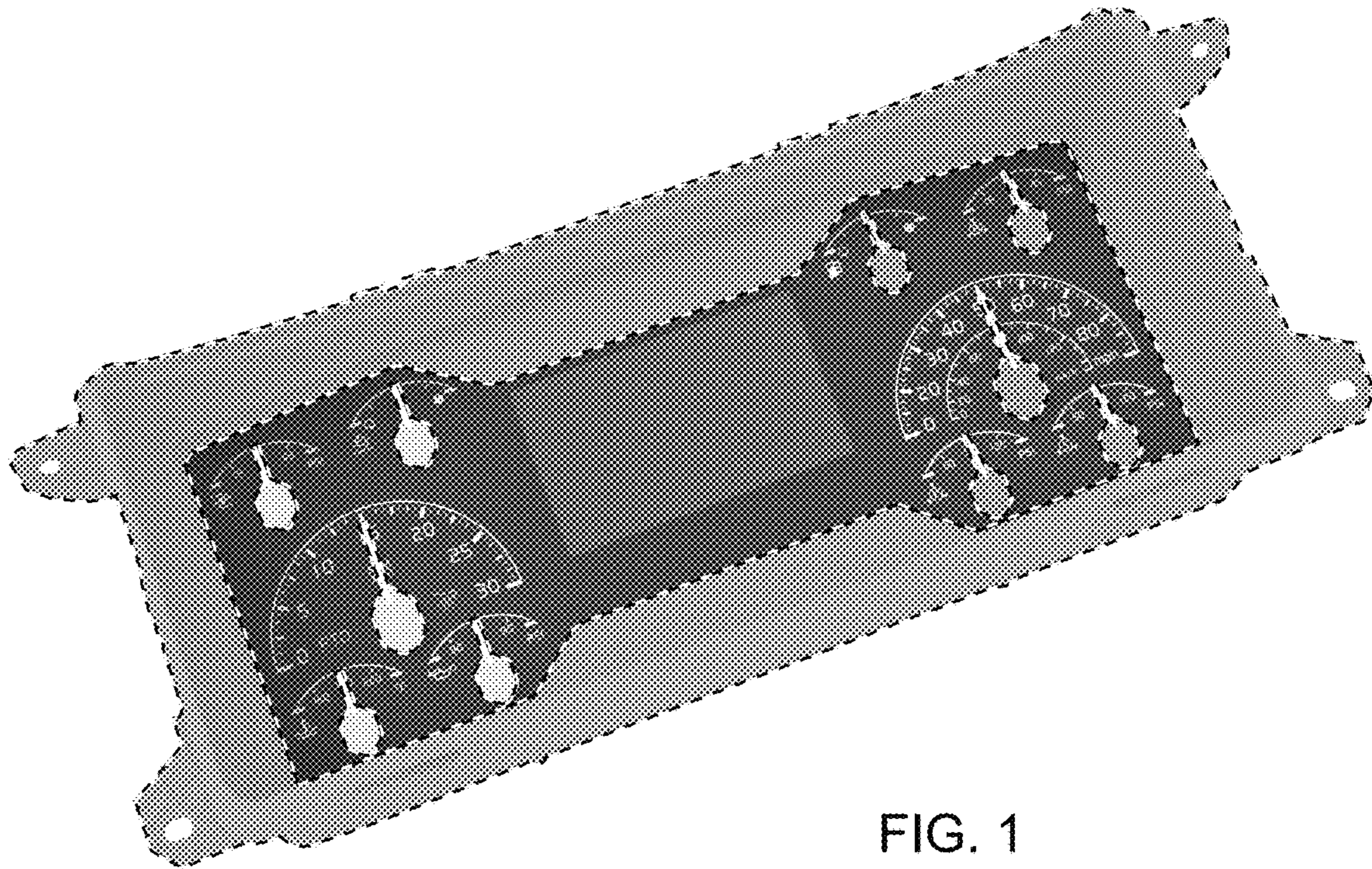


FIG. 1

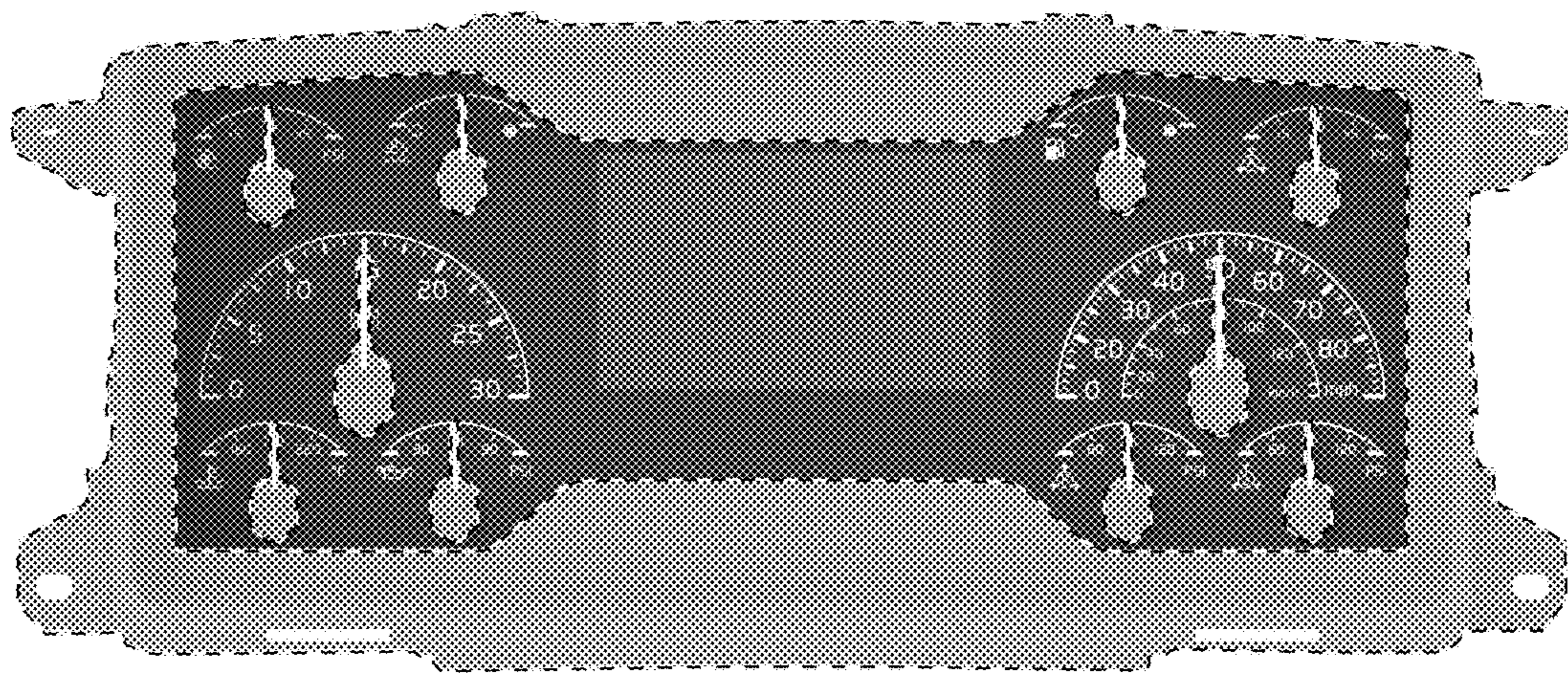


FIG. 2

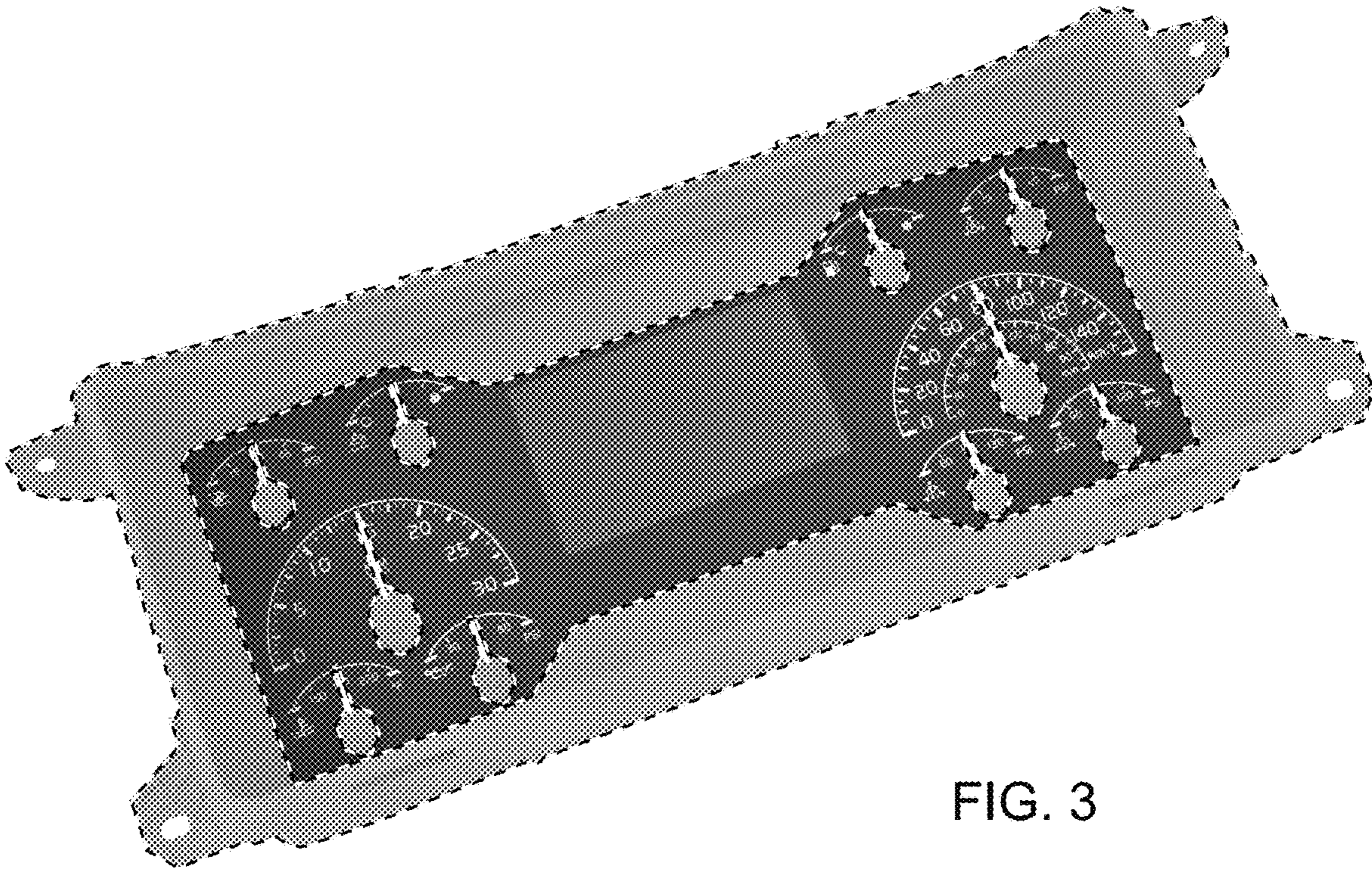


FIG. 3

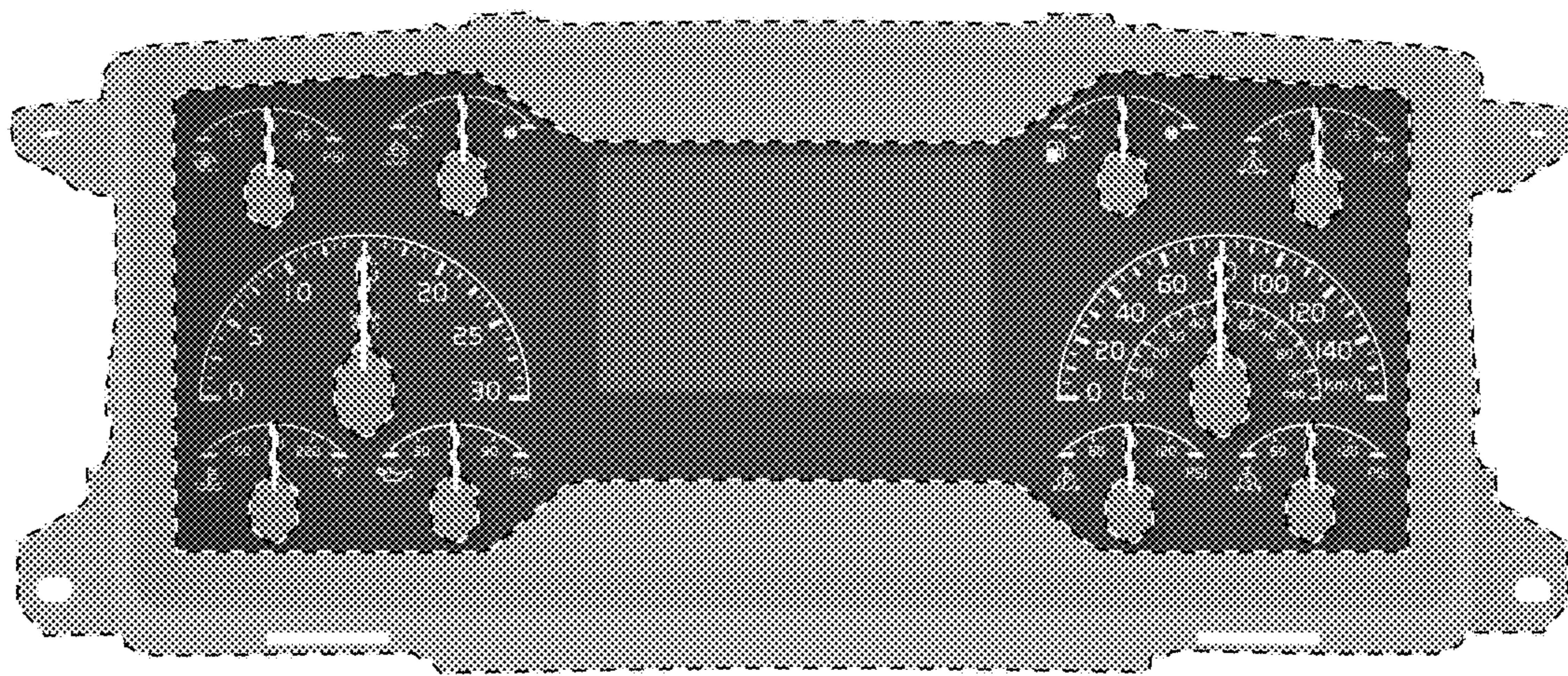


FIG. 4