



US00D863162S

(12) **United States Design Patent** (10) **Patent No.:** **US D863,162 S**
Schneider et al. (45) **Date of Patent:** **** Oct. 15, 2019**

(54) **INSTRUMENT PANEL FOR AN AUTOMOBILE**
(71) Applicants: **Alan Robert Schneider**, Irvine, CA (US); **Benjamin Jimenez**, Ann Arbor, MI (US); **Kwang Ha Kim**, South Lyon, MI (US)
(72) Inventors: **Alan Robert Schneider**, Irvine, CA (US); **Benjamin Jimenez**, Ann Arbor, MI (US); **Kwang Ha Kim**, South Lyon, MI (US)
(73) Assignee: **TOYOTA JIDOSHA KABUSHIKI KAISHA** (JP)
(**) Term: **15 Years**
(21) Appl. No.: **29/626,116**
(22) Filed: **Nov. 15, 2017**
(51) **LOC (12) Cl.** **12-16**
(52) **U.S. Cl.**
USPC **D12/192**
(58) **Field of Classification Search**
USPC D12/192, 415, 114, 345; D15/17, 28; D10/46, 98, 102-103, 122-127; D23/324
CPC B60H 1/34; B60H 1/3407; B60H 1/3414; B60H 1/3421; B60H 1/3428; B60H 1/3435; B60H 1/3442; B60H 1/345; B60H 1/3457; B60H 2001/3464; B60H 2001/3471; B60H 2001/3478; B60H 2001/3485
See application file for complete search history.

D807,266 S * 1/2018 Hasegawa D12/192
D810,643 S * 2/2018 Takamura D12/192
D812,536 S * 3/2018 Matsuda D12/192
D813,769 S * 3/2018 Yaguchi D12/192
D819,533 S * 6/2018 Choi D12/192
D826,122 S * 8/2018 Yamamoto D12/192
D828,260 S * 9/2018 Takagi D12/192
D830,927 S * 10/2018 Tanaka D12/192

OTHER PUBLICATIONS

Netcarshow, Renault Espace, <https://www.netcarshow.com/renault/2015-espace/1280x960/wallpaper_10.htm>, available as early as Oct. 2, 2014.
Netcarshow, Volvo XC60, <https://www.netcarshow.com/volvo/2014-xc60/1280x960/wallpaper_1d.htm>, available as early as Aug. 17, 2013.

* cited by examiner

Primary Examiner — Katrina A Betton
(74) *Attorney, Agent, or Firm* — Saidman DesignLaw Group, LLC

(57) **CLAIM**

The ornamental design for an instrument panel for an automobile, as shown and described.

DESCRIPTION

FIG. 1 is a perspective view of an instrument panel for an automobile showing our new design;
FIG. 2 is a front view thereof;
FIG. 3 is a rear view thereof;
FIG. 4 is a top view thereof;
FIG. 5 is a bottom view thereof;
FIG. 6 is a left side view thereof; and,
FIG. 7 is a right side view thereof.
The claimed design is indicated by the relatively dark portions in the figures. The relatively light portions form no part of the claimed design.

1 Claim, 7 Drawing Sheets

(56) **References Cited**
U.S. PATENT DOCUMENTS
D791,664 S * 7/2017 Igarashi D12/192
D793,931 S * 8/2017 Lee D12/192
D803,743 S * 11/2017 Igarashi D12/192
D804,380 S * 12/2017 Nakai D12/192

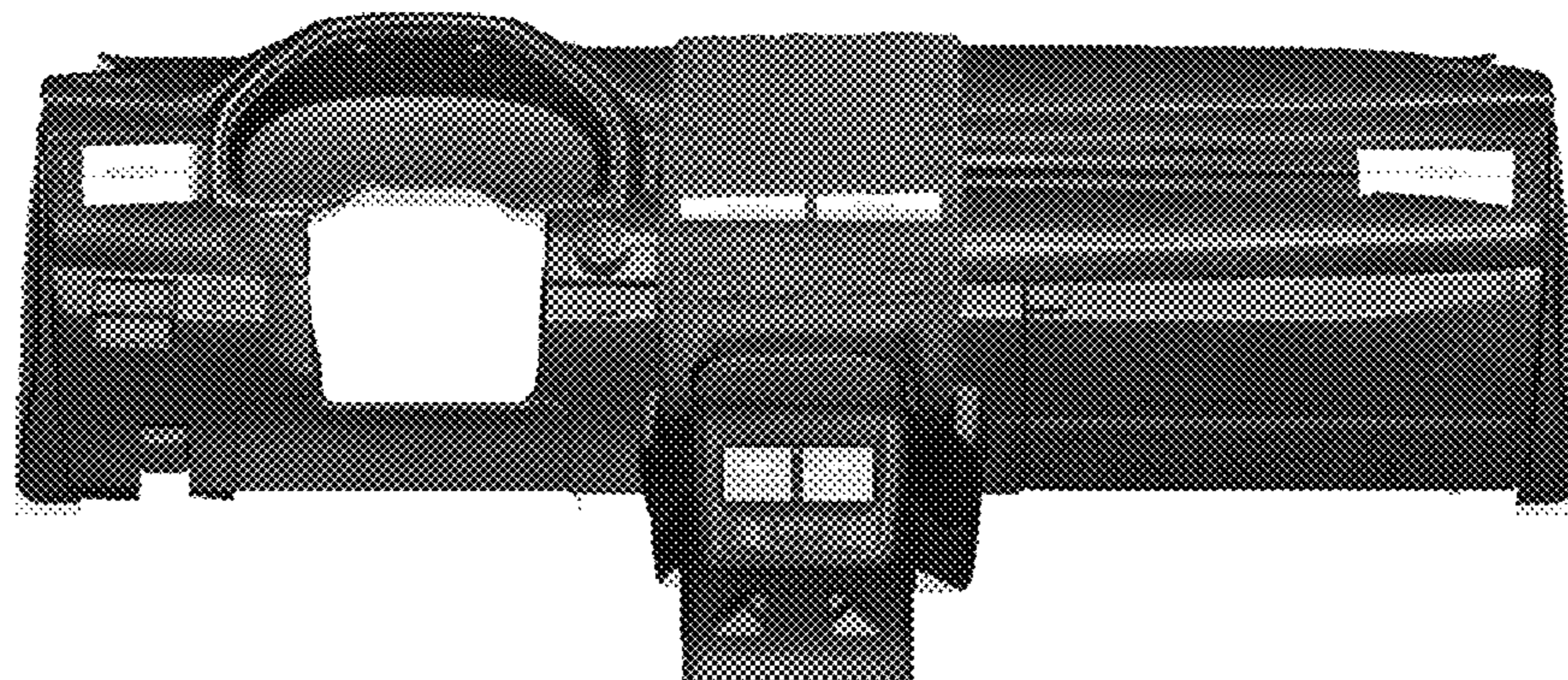




FIG. 1

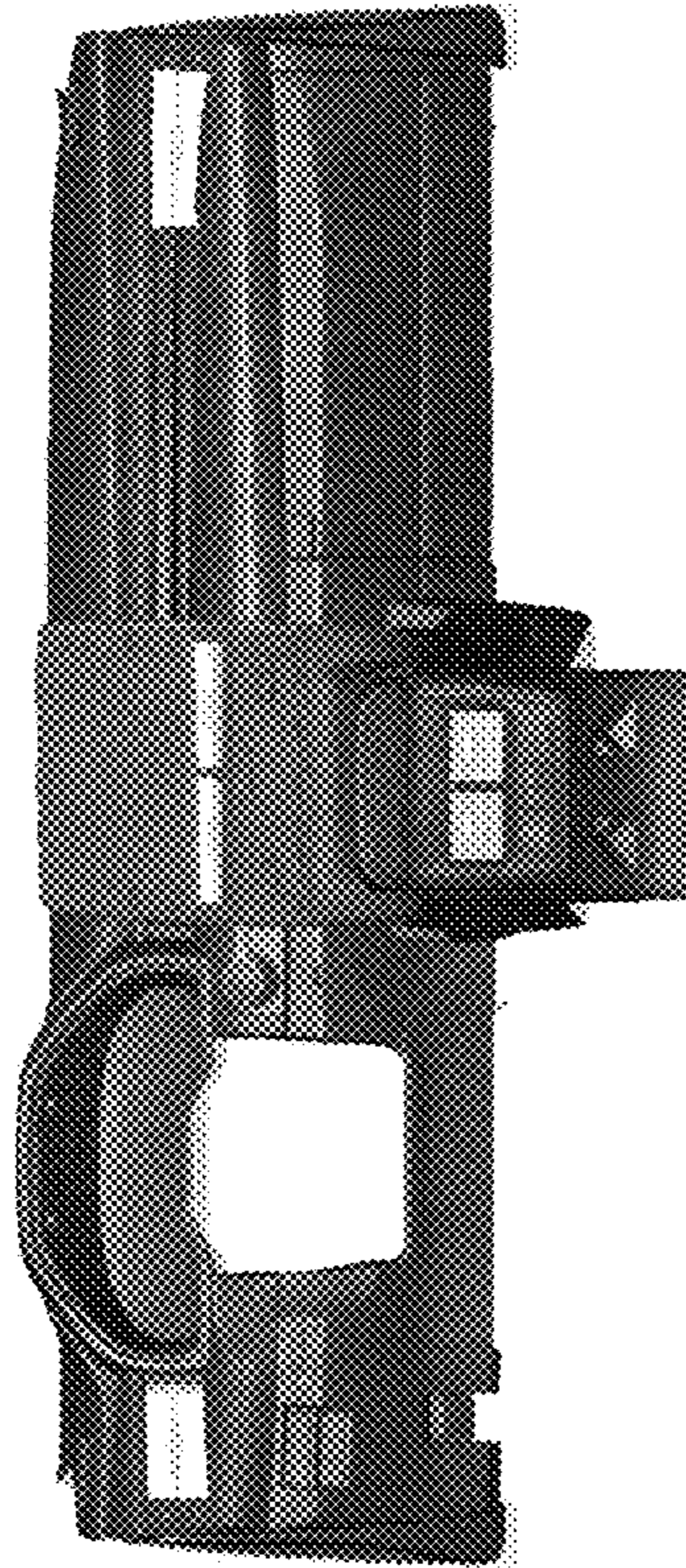


FIG. 2

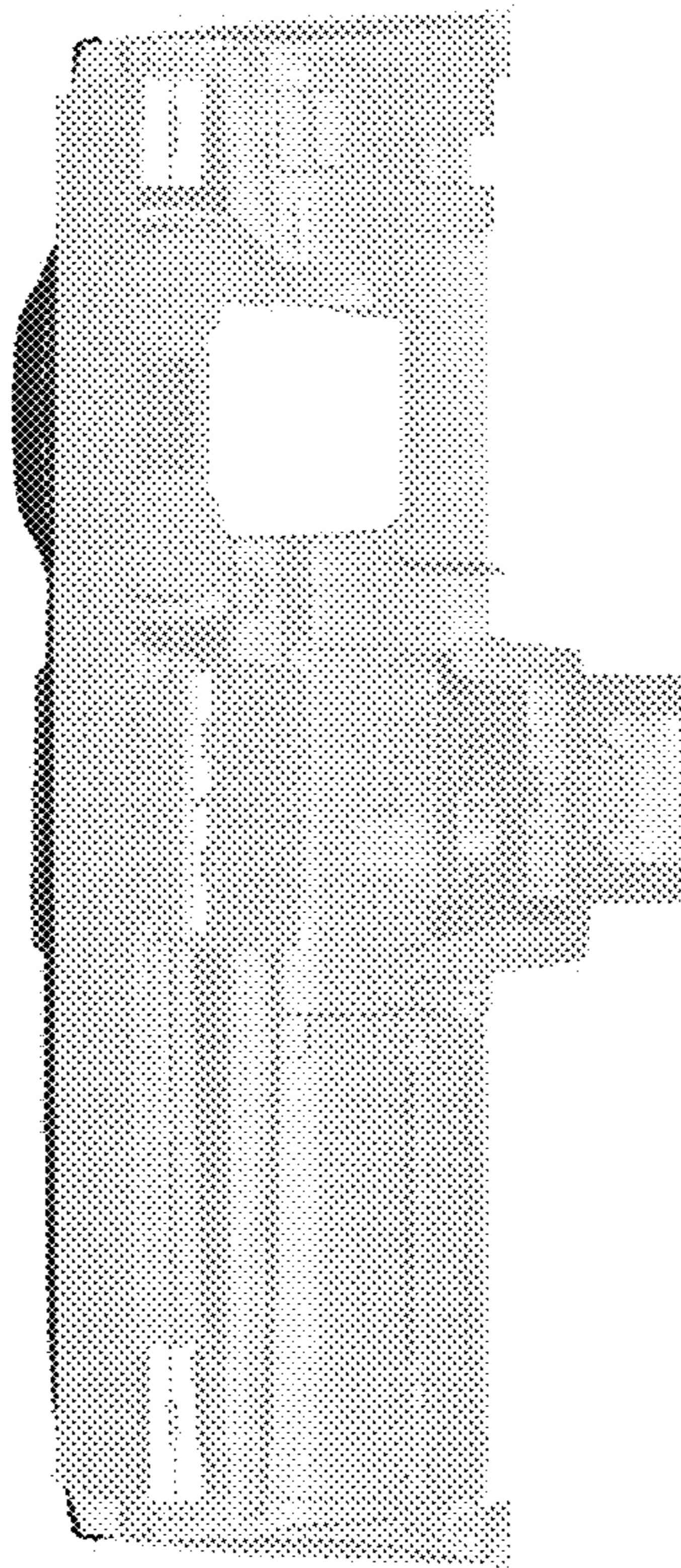


FIG. 3

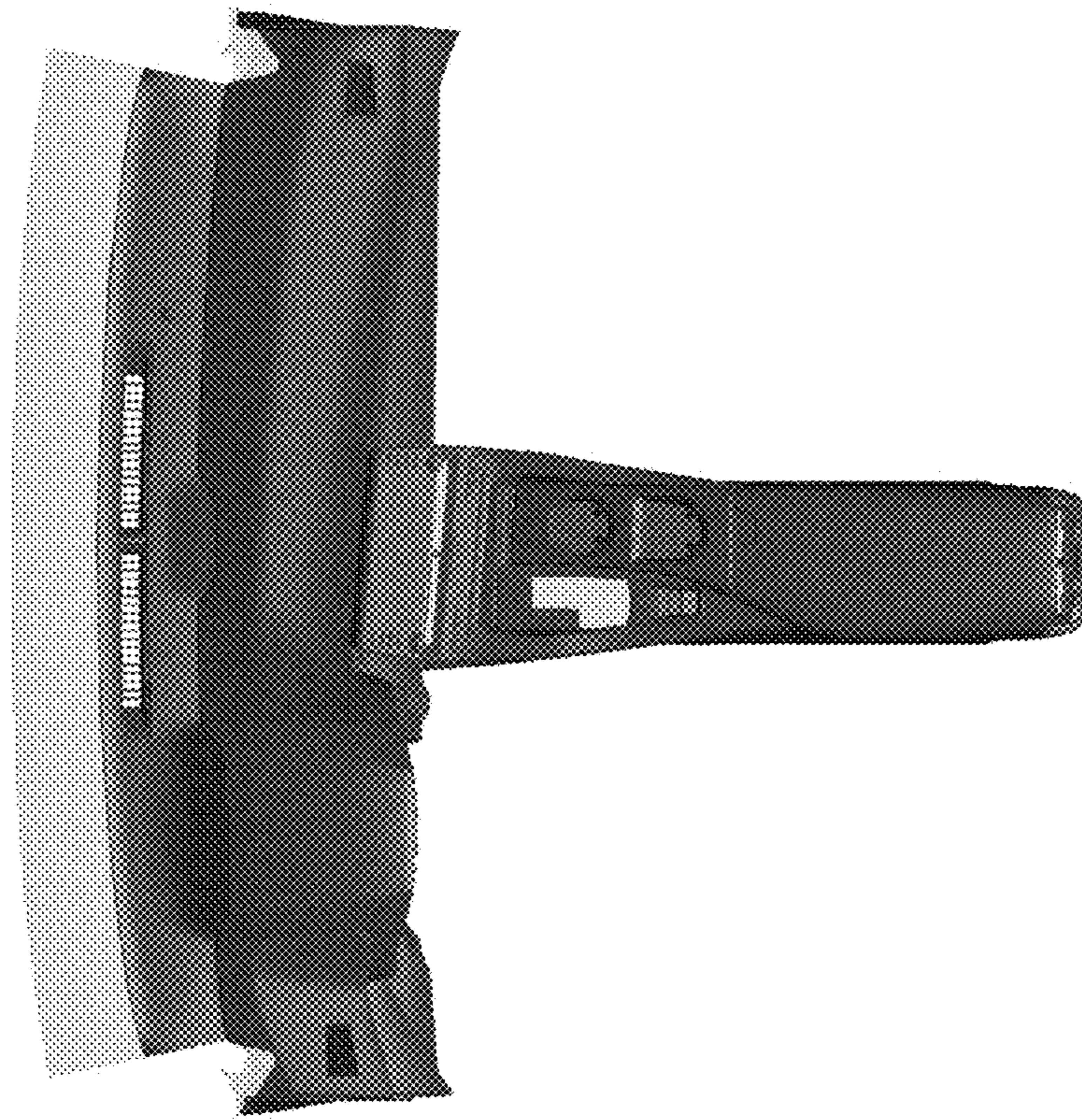


FIG. 4

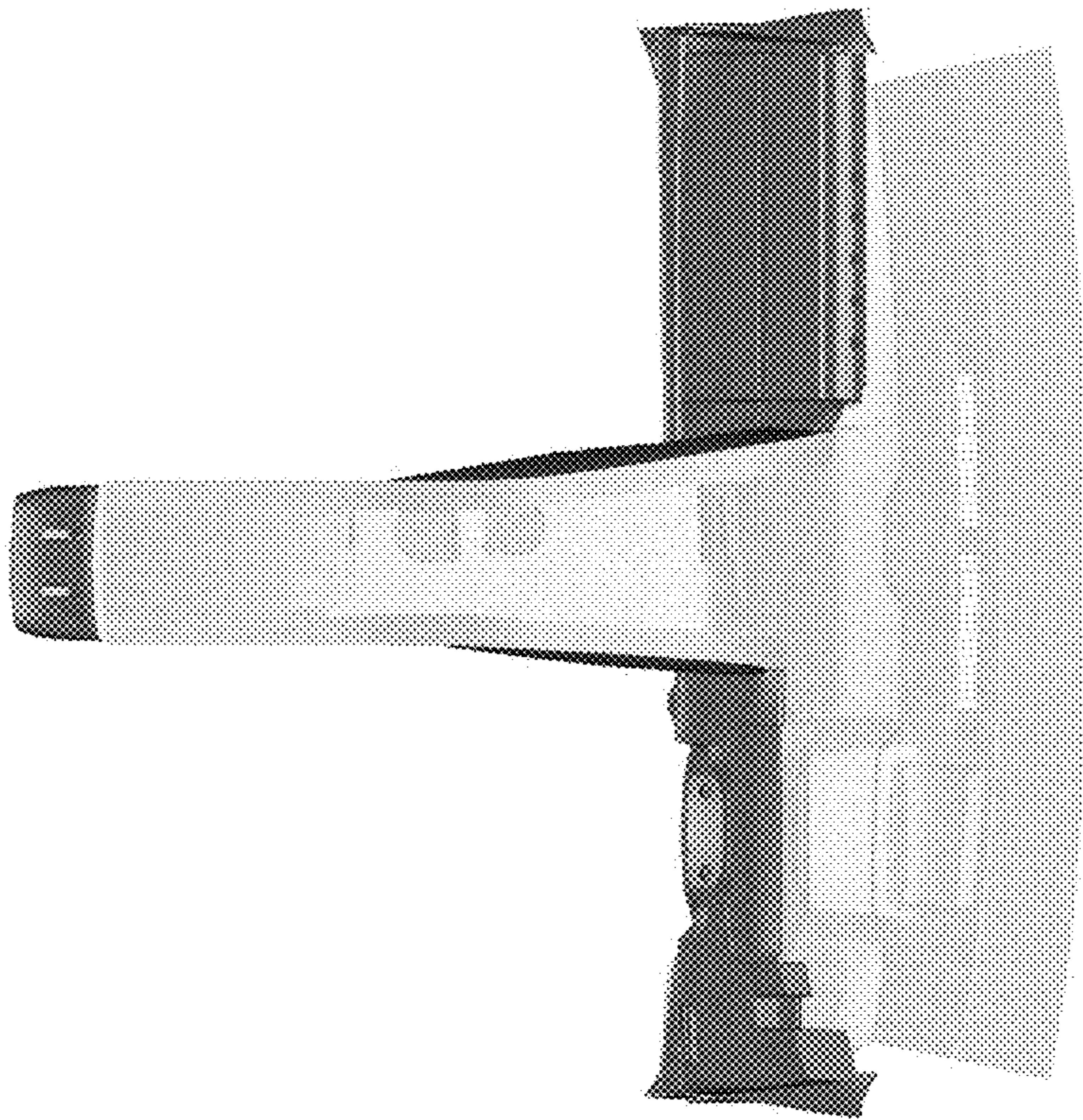


FIG. 5

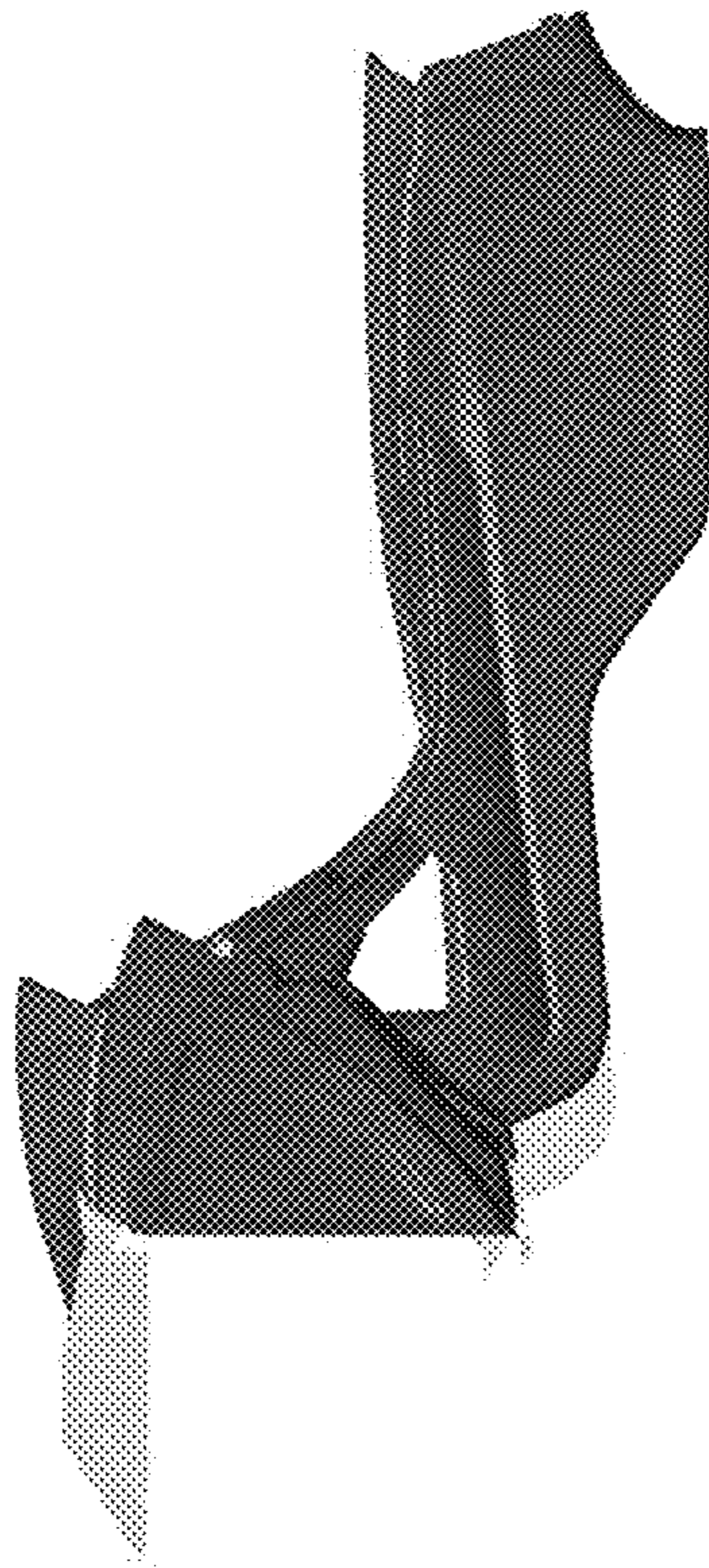


FIG. 6

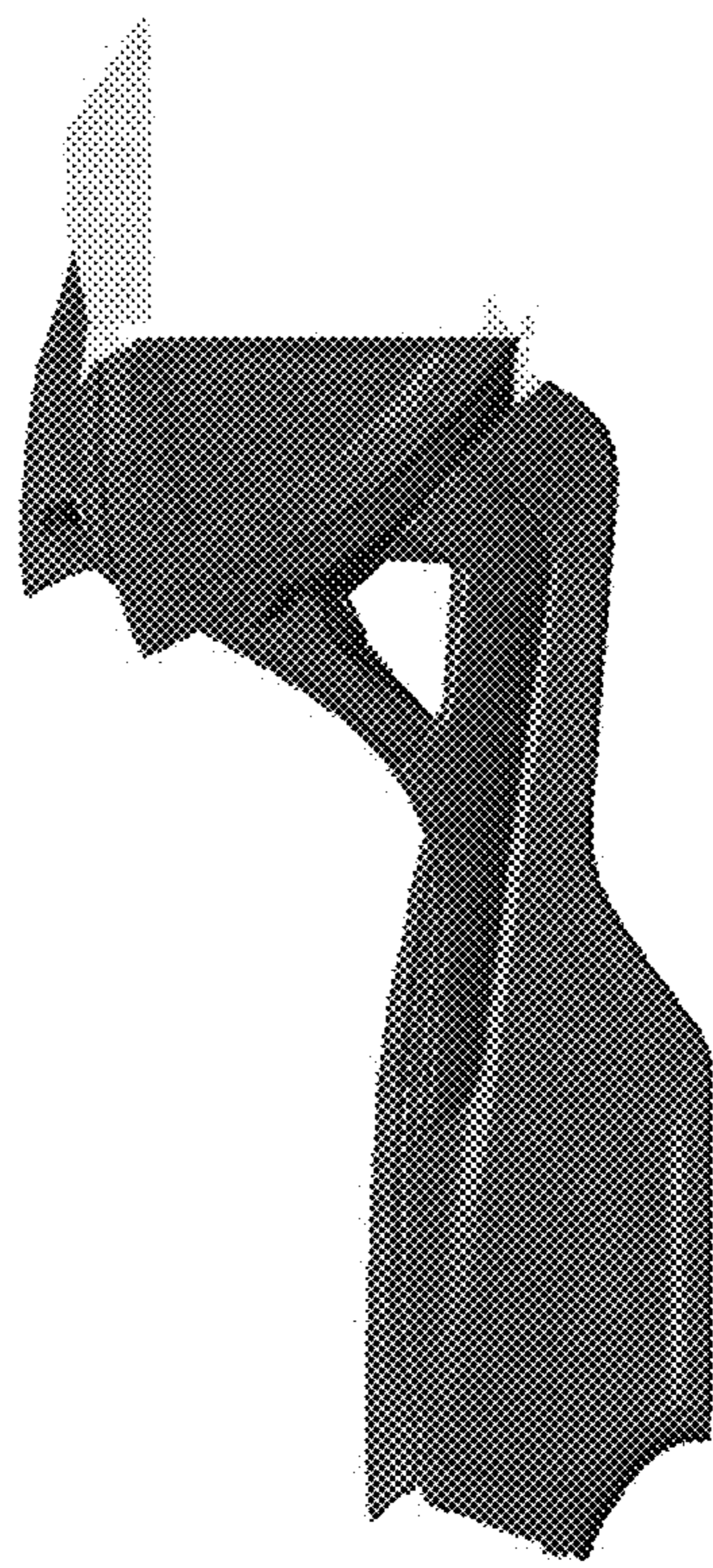


FIG. 7