

US00D863159S

(12) **United States Design Patent** (10) **Patent No.:** **US D863,159 S**
Goodrich et al. (45) **Date of Patent:** **** Oct. 15, 2019**

- (54) **FENDER FLARE**
- (71) Applicants: **Stephen Goodrich**, Clawson, MI (US);
Brian H. Nielander, Royal Oak, MI (US); **Mark T. Allen**, Oxford, MI (US)
- (72) Inventors: **Stephen Goodrich**, Clawson, MI (US);
Brian H. Nielander, Royal Oak, MI (US); **Mark T. Allen**, Oxford, MI (US)
- (73) Assignee: **FCA US LLC**, Auburn Hills, MI (US)
- (**) Term: **15 Years**
- (21) Appl. No.: **29/661,897**
- (22) Filed: **Aug. 31, 2018**

- 9,669,876 B2 * 6/2017 Iwano B62D 25/04
- 9,738,322 B2 * 8/2017 Matthiessen B62D 25/02
- D803,119 S * 11/2017 Beermann D12/184
- D803,741 S * 11/2017 Tsubaki D12/184
- D805,013 S * 12/2017 Whitla D12/181
- D806,622 S * 1/2018 Granlund D12/184
- D807,261 S * 1/2018 Zavatski D12/184
- 9,890,966 B2 * 2/2018 Mueller B62D 25/16
- D817,829 S * 5/2018 Behmer D12/184
- D820,751 S * 6/2018 Luk D12/184
- D823,741 S * 7/2018 Kim D12/169
- 10,023,241 B2 * 7/2018 Umemoto B62D 25/161
- 10,035,543 B2 * 7/2018 Sato B60J 5/0444
- D826,811 S * 8/2018 Lim D12/184
- D827,527 S * 9/2018 Loeb D12/184
- D827,528 S * 9/2018 Gueler D12/184
- D827,529 S * 9/2018 Al Attar D12/184
- D828,254 S * 9/2018 Simm D12/184
- 10,077,085 B2 * 9/2018 Pfaffelhuber B62D 27/02

* cited by examiner

Related U.S. Application Data

- (63) Continuation-in-part of application No. 29/616,449, filed on Sep. 6, 2017, now Pat. No. Des. 840,271, and a continuation-in-part of application No. 29/616,446, filed on Sep. 6, 2017, now Pat. No. Des. 840,270.
- (51) **LOC (12) Cl.** **12-16**
- (52) **U.S. Cl.**
USPC **D12/184**
- (58) **Field of Classification Search**
USPC D12/114, 181, 184, 196; D15/28
CPC B62D 25/16; B62D 25/18
See application file for complete search history.

Primary Examiner — Susan Bennett Hattan

Assistant Examiner — Suzanne E Tisdell

(74) *Attorney, Agent, or Firm* — Ralph E. Smith

(57) **CLAIM**

The ornamental design for a fender flare, as shown and described.

DESCRIPTION

FIG. 1 is a front perspective view of a fender flare showing our new design;
 FIG. 2 is a side view thereof;
 FIG. 3 is a back side view thereof;
 FIG. 4 is a top view thereof;
 FIG. 5 is a bottom view thereof;
 FIG. 6 is a front view thereof; and,
 FIG. 7 is a rear view thereof.

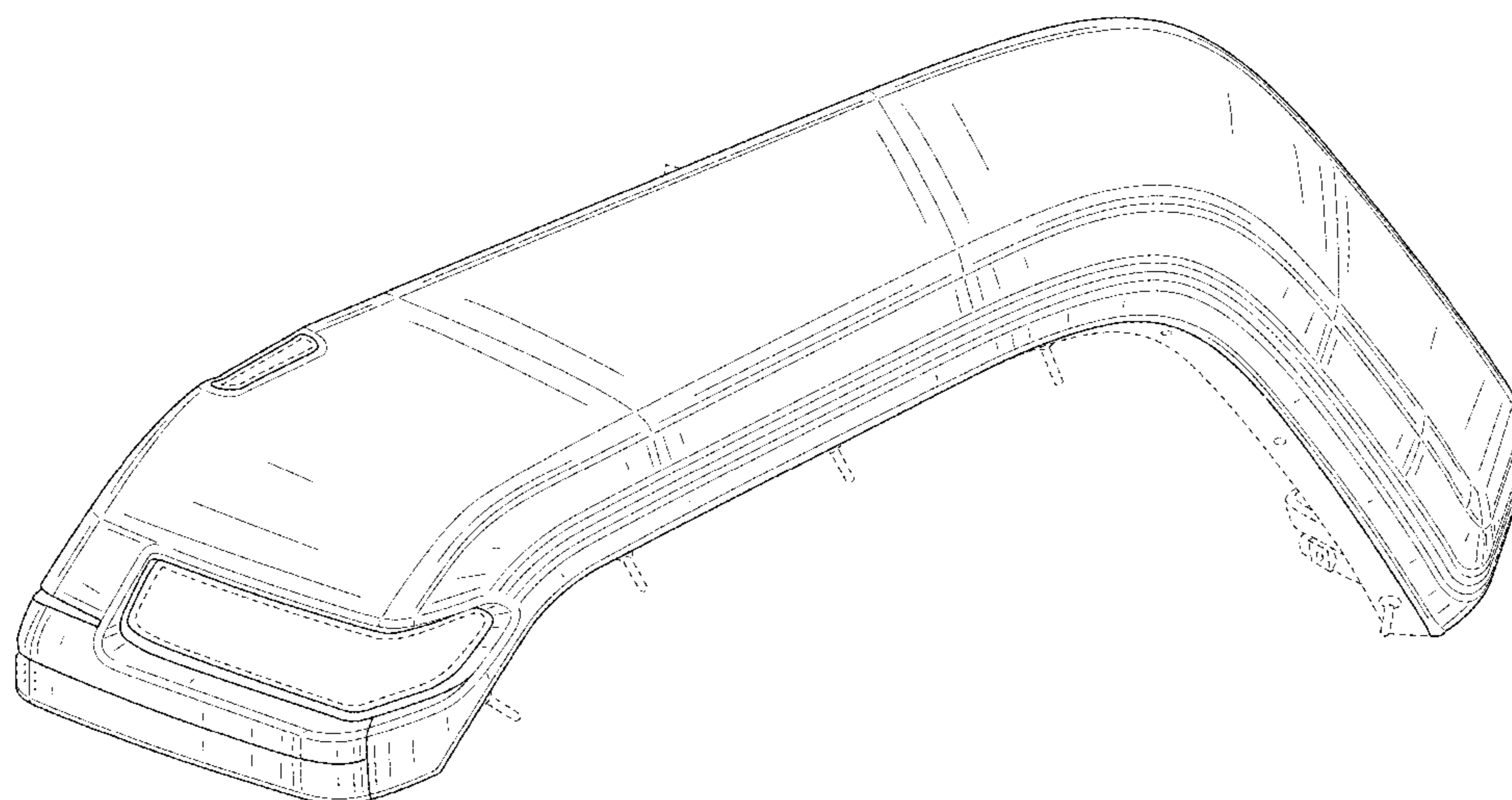
It will be understood that the broken lines shown in the drawings illustrate portions of the fender flare that form no part of claimed design.

(56) **References Cited**

U.S. PATENT DOCUMENTS

- 9,278,716 B1 * 3/2016 Joseph B62D 25/18
- D756,870 S * 5/2016 Tsutamori D12/184
- D758,935 S * 6/2016 Platto D12/184
- 9,403,557 B1 * 8/2016 Sharma C21D 1/06
- 9,487,238 B2 * 11/2016 Iwano B62D 25/025
- D775,031 S * 12/2016 Frascella D12/184
- D787,395 S * 5/2017 Curic D12/181

1 Claim, 7 Drawing Sheets



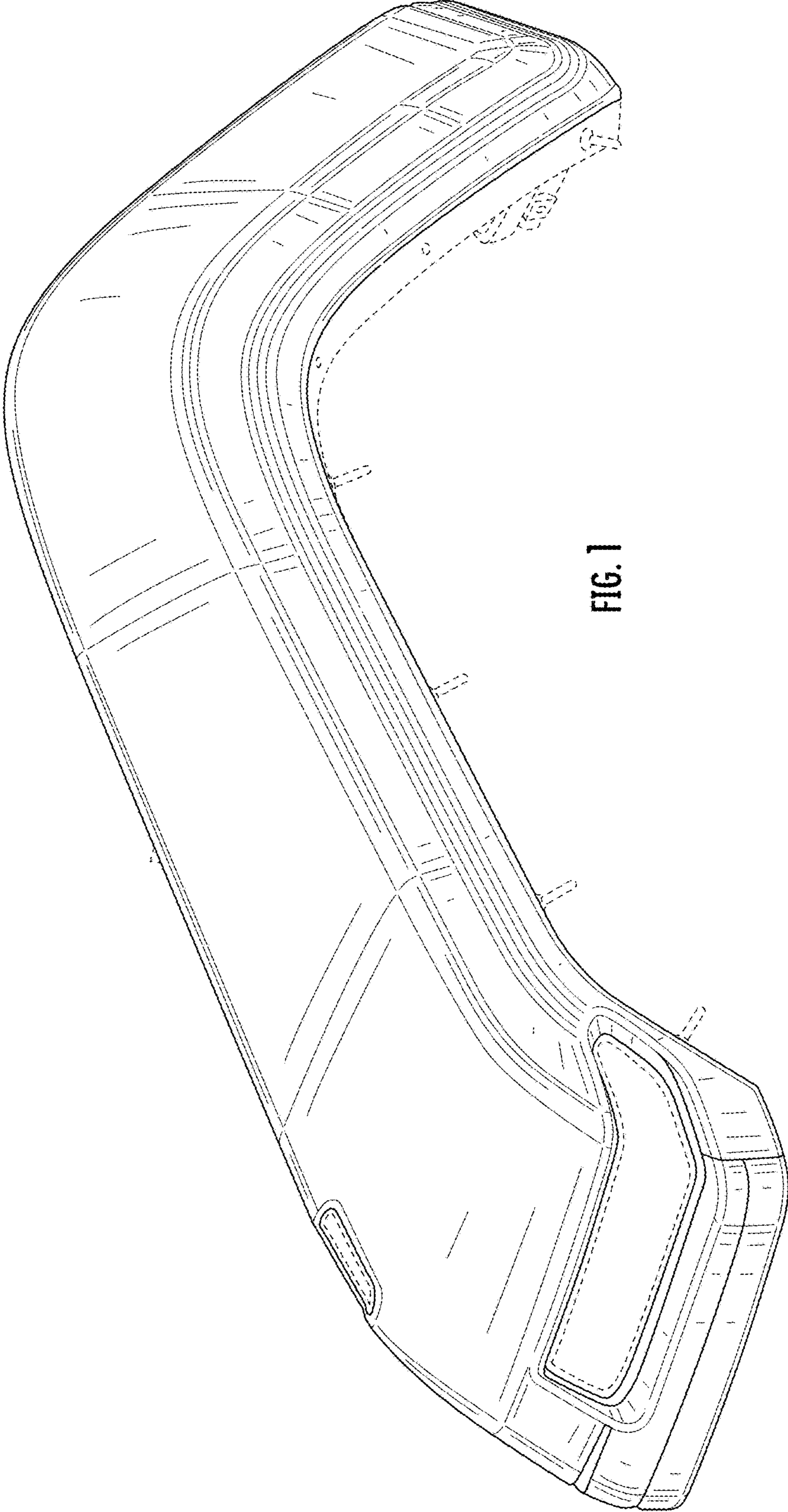


FIG. 1

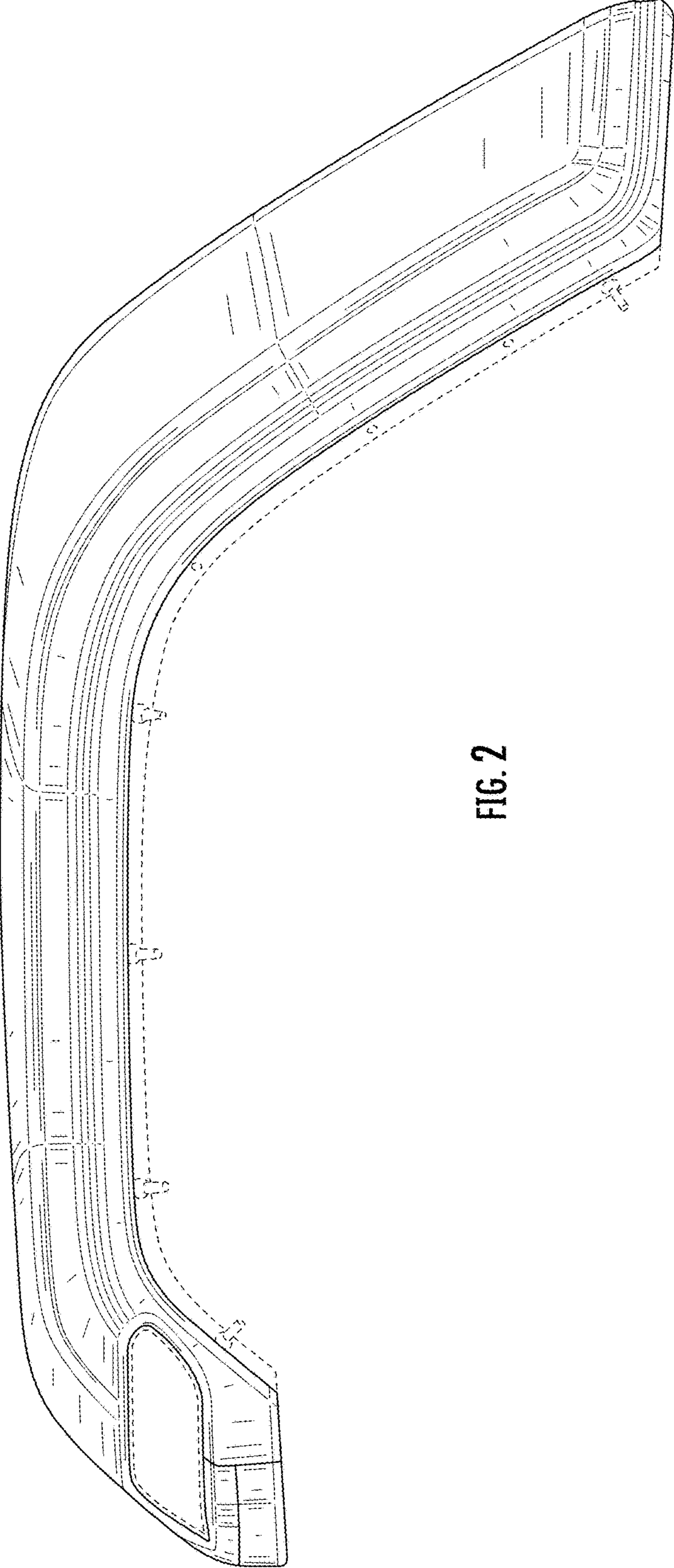


FIG. 2

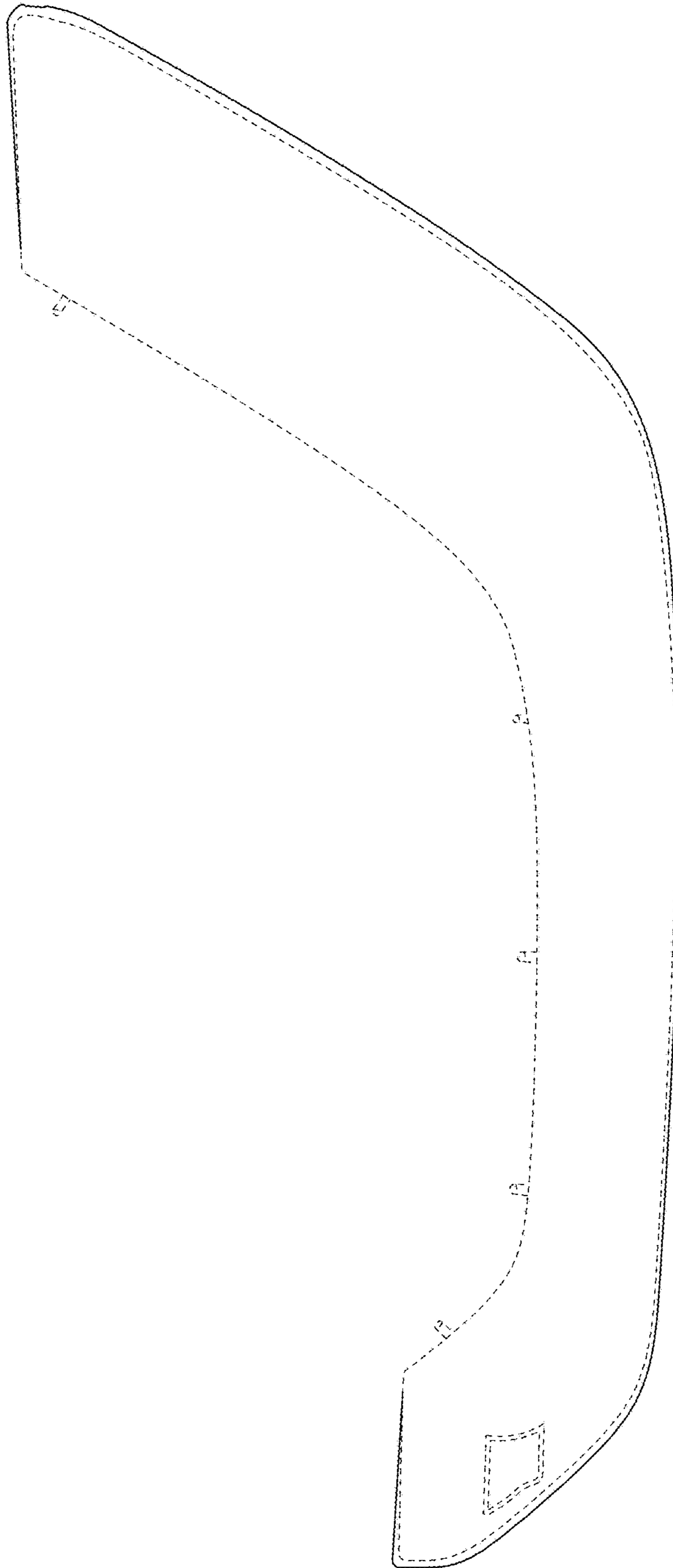


FIG. 3

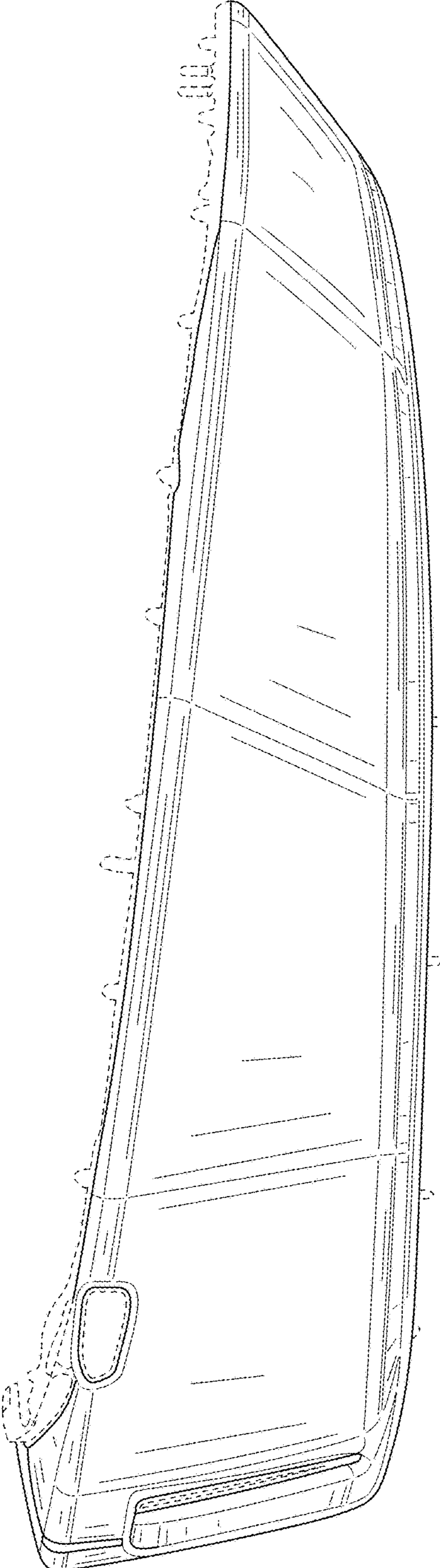


FIG. 4

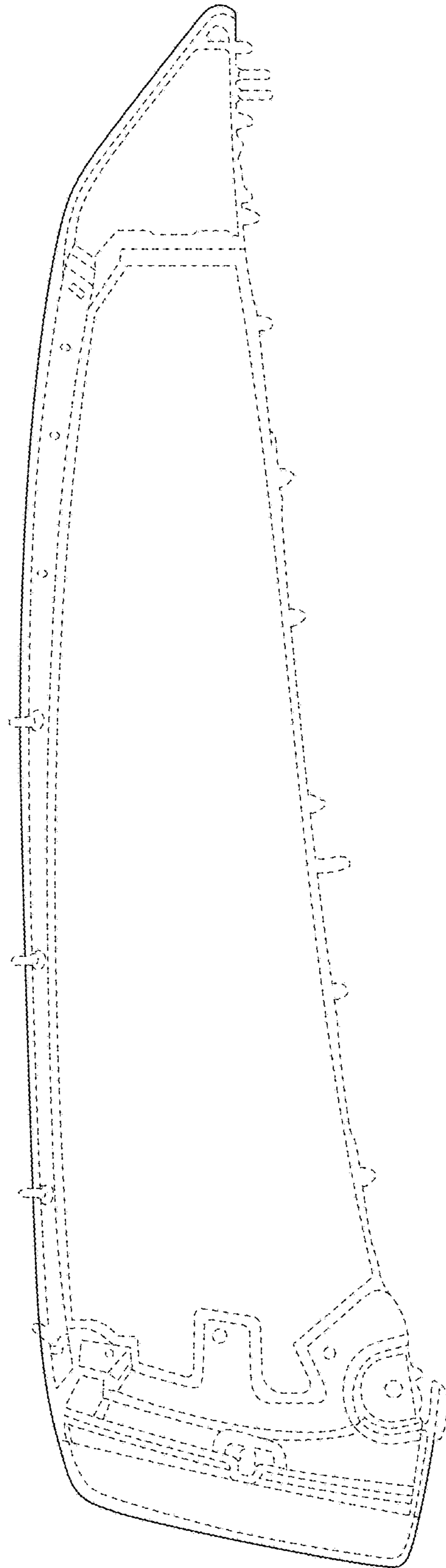


FIG. 5

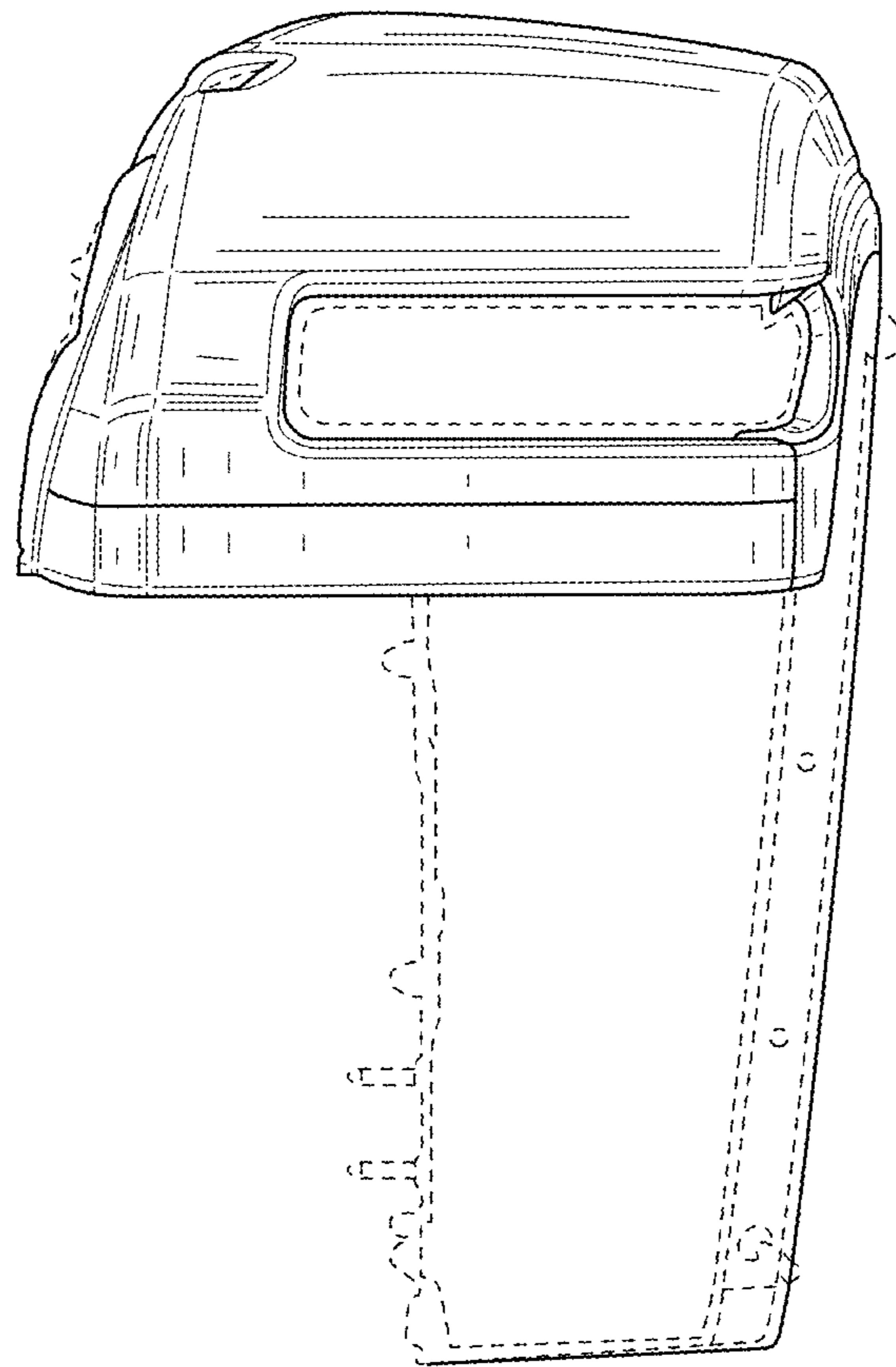


FIG. 6

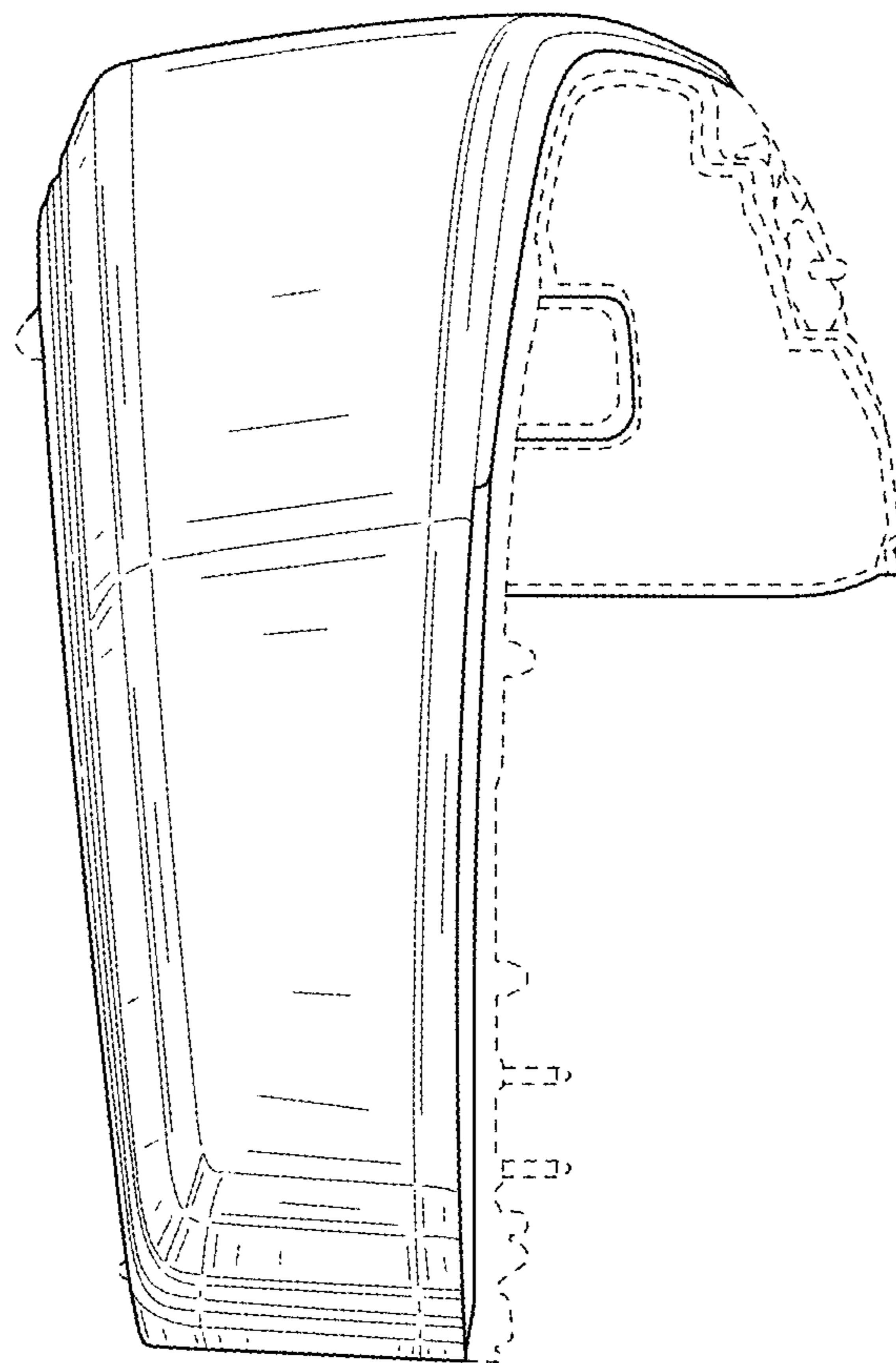


FIG. 7