



US00D863152S

(12) **United States Design Patent** (10) **Patent No.:** **US D863,152 S**
Kozub (45) **Date of Patent:** **** Oct. 15, 2019**

(54) **VEHICLE FRONT LOWER BUMPER**
(71) Applicant: **GM GLOBAL TECHNOLOGY OPERATIONS LLC**, Detroit, MI (US)
(72) Inventor: **Timothy P. Kozub**, Troy, MI (US)
(73) Assignee: **GM GLOBAL TECHNOLOGY OPERATIONS LLC**, Detroit, MI (US)
(**) Term: **15 Years**
(21) Appl. No.: **29/675,269**
(22) Filed: **Dec. 30, 2018**

D813,744 S 3/2018 Whitla et al.
D813,748 S 3/2018 Kim
D813,749 S * 3/2018 Bucher D12/169
D813,753 S 3/2018 Loeb
D813,754 S 3/2018 Loeb
D813,755 S 3/2018 Loeb
D813,756 S 3/2018 Loeb
D813,757 S 3/2018 Kozub
D813,758 S 3/2018 Gonzales
D813,759 S 3/2018 Perkins
D814,369 S 4/2018 Loeb
D814,982 S 4/2018 Whitla et al.
D814,983 S 4/2018 Whitla et al.
D815,570 S 4/2018 McMahan et al.
D815,572 S 4/2018 Perkins
D815,573 S 4/2018 Whitla et al.
D815,574 S 4/2018 Mainville
D815,985 S 4/2018 Mueller
D815,993 S 4/2018 Kozub et al.
D815,994 S 4/2018 Nakamura
D816,003 S 4/2018 Perkins
D816,558 S 5/2018 McMahan et al.
D816,559 S 5/2018 McMahan et al.

Related U.S. Application Data

(62) Division of application No. 29/609,078, filed on Jun. 28, 2017.
(51) **LOC (12) Cl.** **12-16**
(52) **U.S. Cl.**
USPC **D12/169**
(58) **Field of Classification Search**
USPC D12/169
CPC B60R 19/02; B60R 19/04; B62D 25/08
See application file for complete search history.

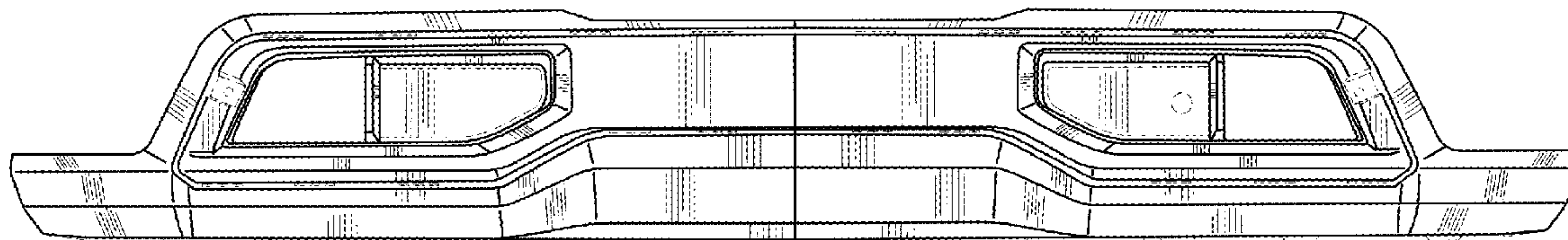
(Continued)
Primary Examiner — Melody N Brown

(57) **CLAIM**
The ornamental design for a vehicle front lower bumper, as shown and described.

(56) **References Cited**
U.S. PATENT DOCUMENTS
D746,190 S * 12/2015 Wolff D12/169
D746,737 S * 1/2016 Wolff D12/169
D796,398 S * 9/2017 Badstuebner D12/169
D813,731 S 3/2018 McMahan
D813,732 S 3/2018 Whitla et al.
D813,733 S 3/2018 Lee
D813,734 S 3/2018 Nakamura
D813,740 S 3/2018 Park
D813,741 S 3/2018 Perkins
D813,742 S 3/2018 McMahan et al.
D813,743 S 3/2018 Lee

DESCRIPTION
FIG. 1 is a front and left side perspective view of a vehicle front lower bumper showing my new design;
FIG. 2 is a left side elevation view thereof, the right side being a mirror image of the left side shown;
FIG. 3 is a front elevation view thereof; and,
FIG. 4 is a bottom plan view thereof.
The broken lines shown in the drawings depict portions of the vehicle front lower bumper that form no part of the claimed design.

1 Claim, 2 Drawing Sheets



(56)

References Cited

U.S. PATENT DOCUMENTS

D816,561 S	5/2018	McMahan	D823,741 S	7/2018	Kim	
D816,562 S	5/2018	Whitla et al.	D823,762 S	7/2018	Loeb	
D816,563 S	5/2018	McMahan et al.	D823,763 S	7/2018	Koo et al.	
D816,564 S	5/2018	Kim	D824,811 S	8/2018	Mainville	
D816,565 S	5/2018	Kim	D824,812 S	8/2018	Loeb	
D816,566 S	5/2018	Loeb	D824,824 S	8/2018	Kim	
D817,836 S	5/2018	McMahan et al.	D824,825 S	8/2018	Loeb	
D818,156 S	5/2018	Kim et al.	D825,083 S	8/2018	Perkins	
D818,157 S	5/2018	Zipfel et al.	D825,388 S	8/2018	Karras et al.	
D818,158 S	5/2018	Zipfel et al.	D825,403 S	8/2018	Whitla et al.	
D818,159 S	5/2018	Zipfel et al.	D826,114 S	8/2018	Smith et al.	
D818,160 S	5/2018	Perkins	D826,435 S	8/2018	Kim	
D818,406 S	5/2018	McMahan et al.	D826,803 S	8/2018	Smith et al.	
D818,876 S	5/2018	Whitla et al.	D827,506 S	9/2018	McMahan et al.	
D818,877 S	5/2018	Nakamura et al.	D827,508 S	9/2018	Whitla et al.	
D818,878 S	5/2018	McMahan et al.	D827,510 S	9/2018	Kim	
D818,892 S	5/2018	Lee	D827,527 S	9/2018	Loeb	
D818,893 S	5/2018	Kim	D828,246 S	9/2018	Loeb	
D818,903 S	5/2018	Zipfel et al.	D828,261 S	9/2018	Moffett et al.	
D818,906 S	5/2018	McMahan	D828,935 S	9/2018	Hochmuth	
D818,907 S	5/2018	Whitla et al.	D829,622 S	10/2018	Jacob	
D818,915 S	5/2018	Kozub et al.	D830,241 S	10/2018	Kozub	
D818,922 S	5/2018	Whitla et al.	D830,242 S	10/2018	Zipfel	
D819,505 S	6/2018	McMahan et al.	D830,252 S	10/2018	Swaneger	
D819,519 S	6/2018	Whitla et al.	D830,258 S	10/2018	McMahan et al.	
D821,617 S	6/2018	Perkins	D830,261 S	10/2018	Jacob	
D822,550 S	7/2018	Wassell et al.	D830,589 S	10/2018	Henriques	
D822,551 S	7/2018	McMahan et al.	D832,752 S	11/2018	Lee	
D823,188 S	7/2018	Loeb	D835,003 S	12/2018	Thompson et al.	
D823,738 S	7/2018	Kim	D835,012 S	12/2018	Smith et al.	
			D850,989 S *	6/2019	Kozub	D12/169
			D854,467 S *	7/2019	Smith	D12/169

* cited by examiner

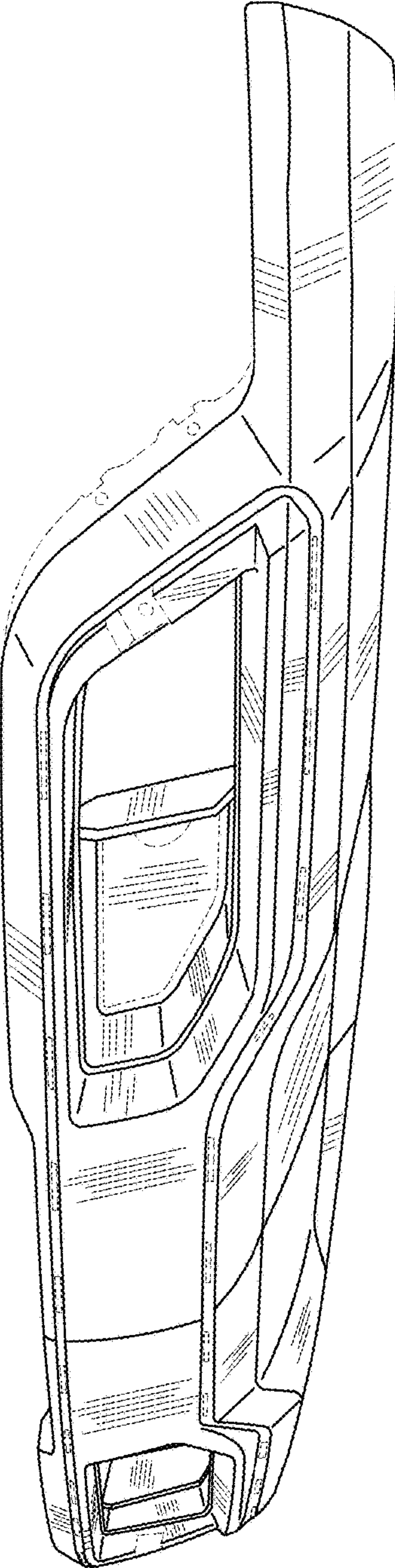


FIG. 1

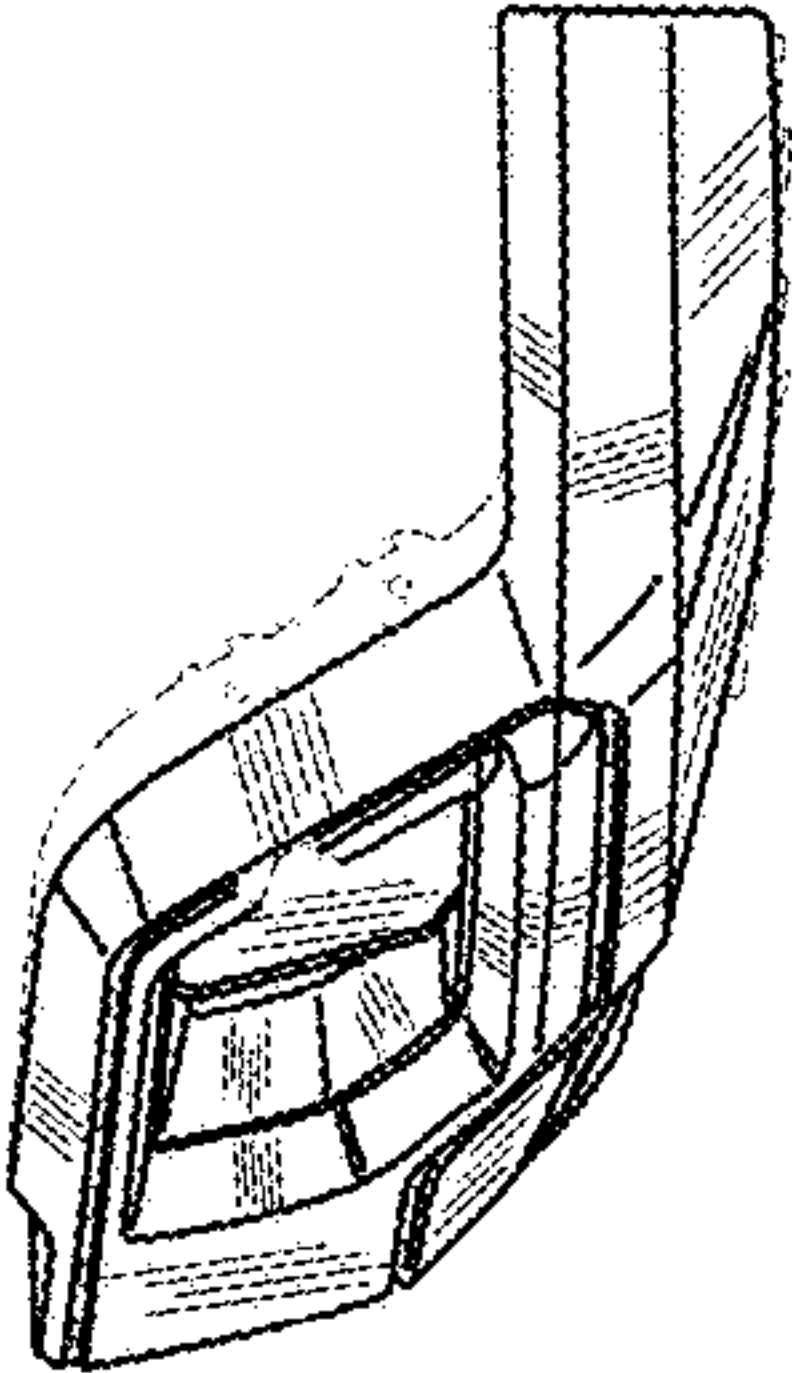


FIG. 2

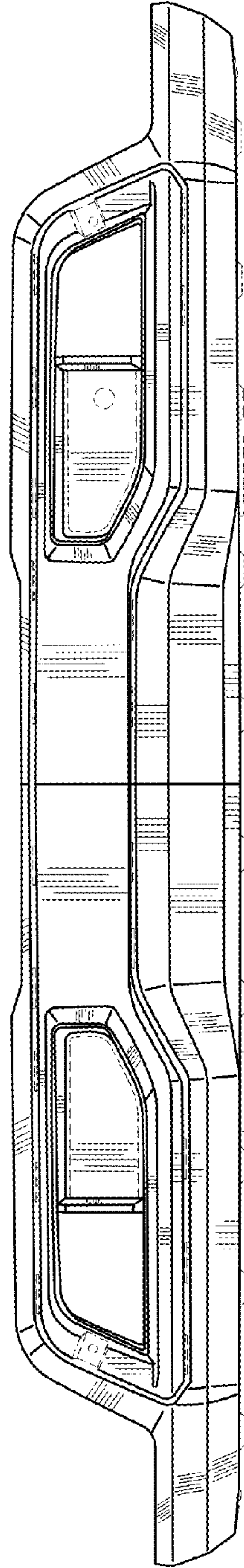


FIG. 3

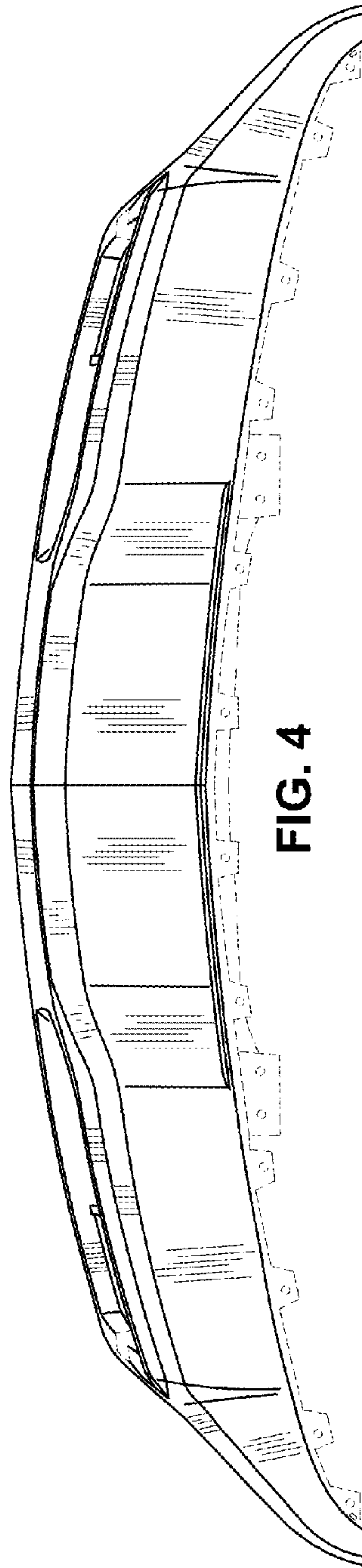


FIG. 4