



US00D863151S

(12) **United States Design Patent**
Sasazawa

(10) **Patent No.:** **US D863,151 S**

(45) **Date of Patent:** **** Oct. 15, 2019**

(54) **REAR BUMPER FOR AN AUTOMOBILE**

(71) Applicant: **HONDA MOTOR CO., LTD.**, Tokyo (JP)

(72) Inventor: **Eito Sasazawa**, Torrance, CA (US)

(73) Assignee: **HONDA MOTOR CO., LTD.**, Tokyo (JP)

(**) Term: **15 Years**

(21) Appl. No.: **29/654,452**

(22) Filed: **Jun. 25, 2018**

(30) **Foreign Application Priority Data**

Dec. 29, 2017 (JP) 2017-029642

(51) **LOC (12) Cl.** **12-16**

(52) **U.S. Cl.**
USPC **D12/169**

(58) **Field of Classification Search**
USPC D12/169, 164, 196, 171, 163, 86, 90-92;
293/102, 113, 115, 117, 120; 296/180.1,
296/180.2

CPC B60R 19/02; B60R 19/04; B62D 25/08
See application file for complete search history.

(56) **References Cited**

U.S. PATENT DOCUMENTS

D610,957 S * 3/2010 Bucher D12/169
D764,984 S * 8/2016 Stopka D12/169
D770,949 S * 11/2016 Morikawa D12/169
D773,355 S * 12/2016 Kawaguchi D12/169

D789,849 S * 6/2017 Lee D12/169
D800,030 S * 10/2017 Jung D12/169
D804,371 S * 12/2017 Whitla D12/169
D813,110 S * 3/2018 Whitla D12/169
D813,753 S * 3/2018 Loeb D12/169
D816,565 S * 5/2018 Kim D12/169
D819,525 S * 6/2018 Behmer D12/169
D823,194 S * 7/2018 Gueler D12/169
D824,300 S * 7/2018 Badstuebner D12/169
D824,817 S * 8/2018 Morikawa D12/169
D824,818 S * 8/2018 Morikawa D12/169
D826,113 S * 8/2018 Kanai D12/169
D827,519 S * 9/2018 Komuro D12/169
D845,188 S * 4/2019 Pinazzo D12/169
D846,458 S * 4/2019 Mack D12/169
D847,045 S * 4/2019 Whitla D12/169

* cited by examiner

Primary Examiner — Melody N Brown

(74) *Attorney, Agent, or Firm* — Westerman, Hattori,
Daniels & Adrian, LLP

(57) **CLAIM**

The ornamental design for a rear bumper for automobile, as shown and described.

DESCRIPTION

FIG. 1 is a front perspective view of a rear bumper for automobile showing my new design;
FIG. 2 is a front elevation view thereof;
FIG. 3 is a top plan view thereof; and,
FIG. 4 is a right side elevation view thereof.
The broken lines in the drawings illustrate portions of the rear bumper for automobile that form no part of the claimed design.

1 Claim, 4 Drawing Sheets

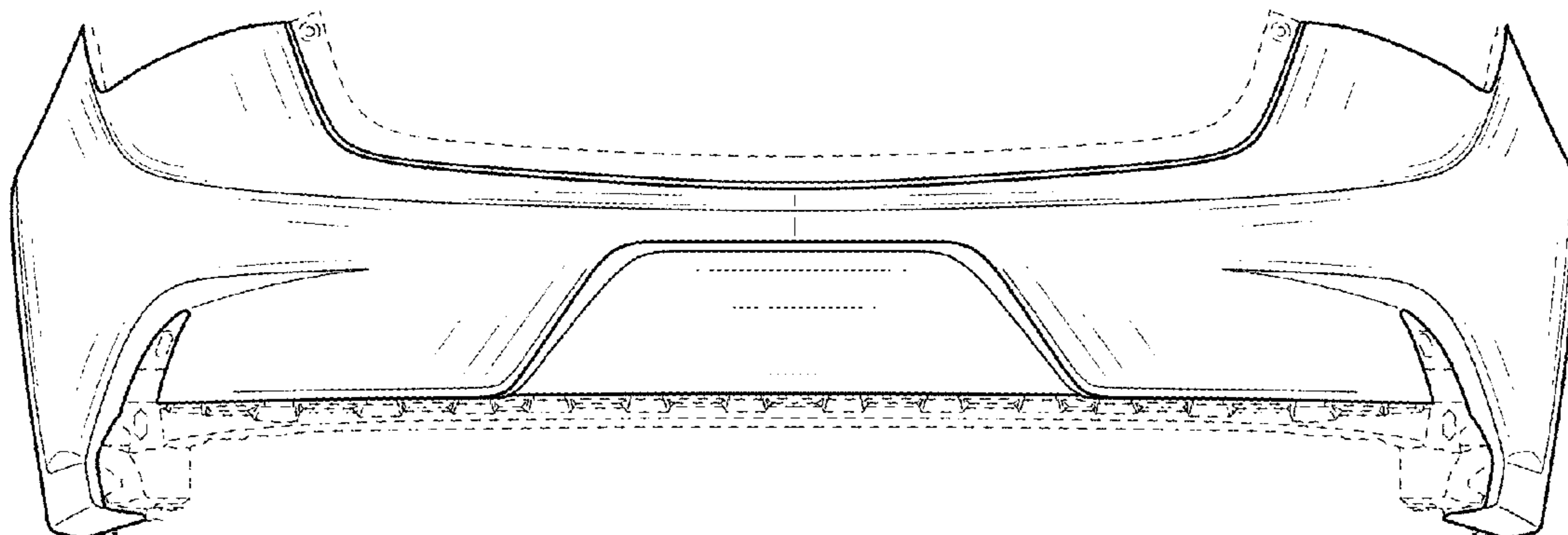


FIG. 1

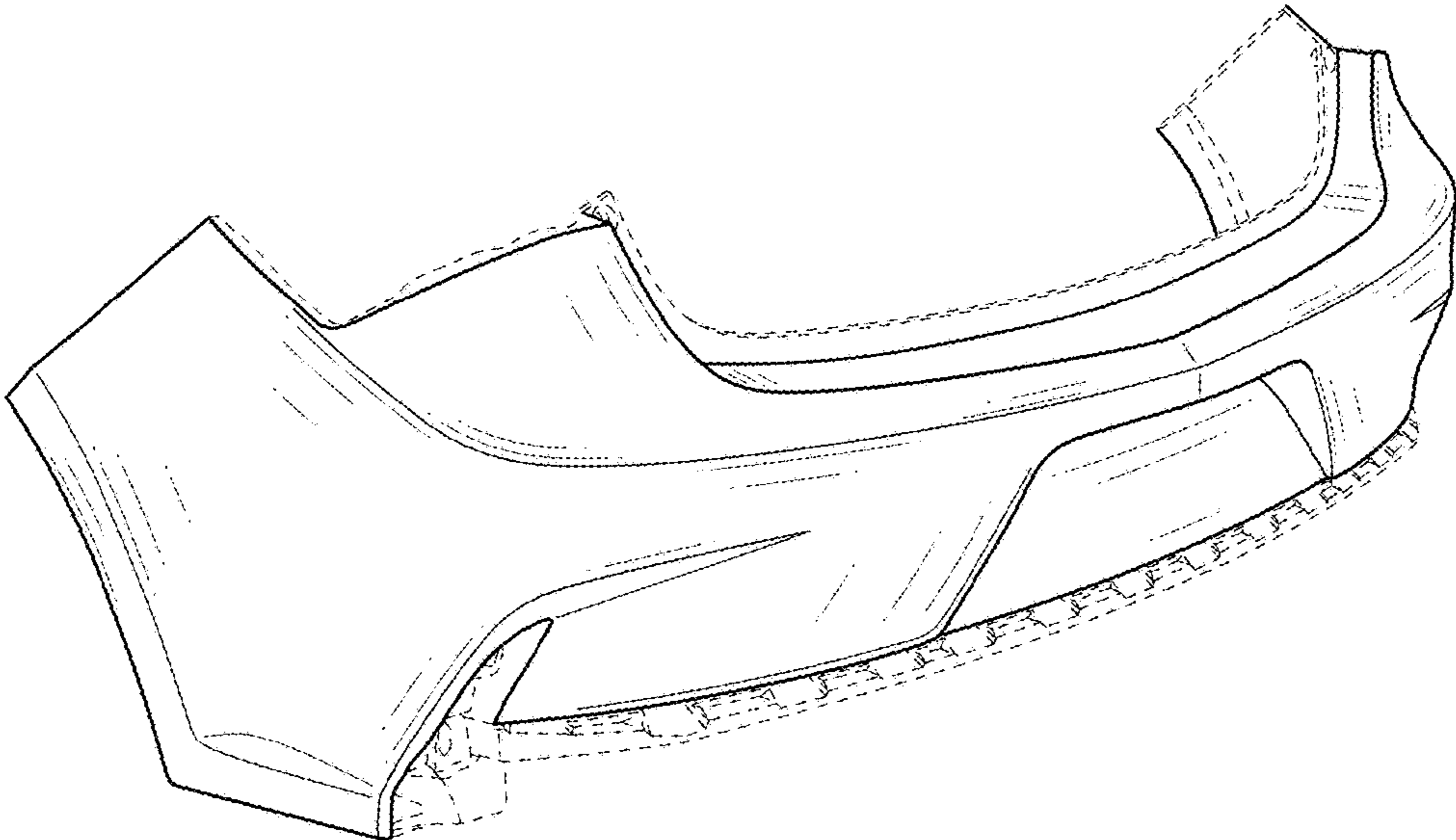


FIG. 2

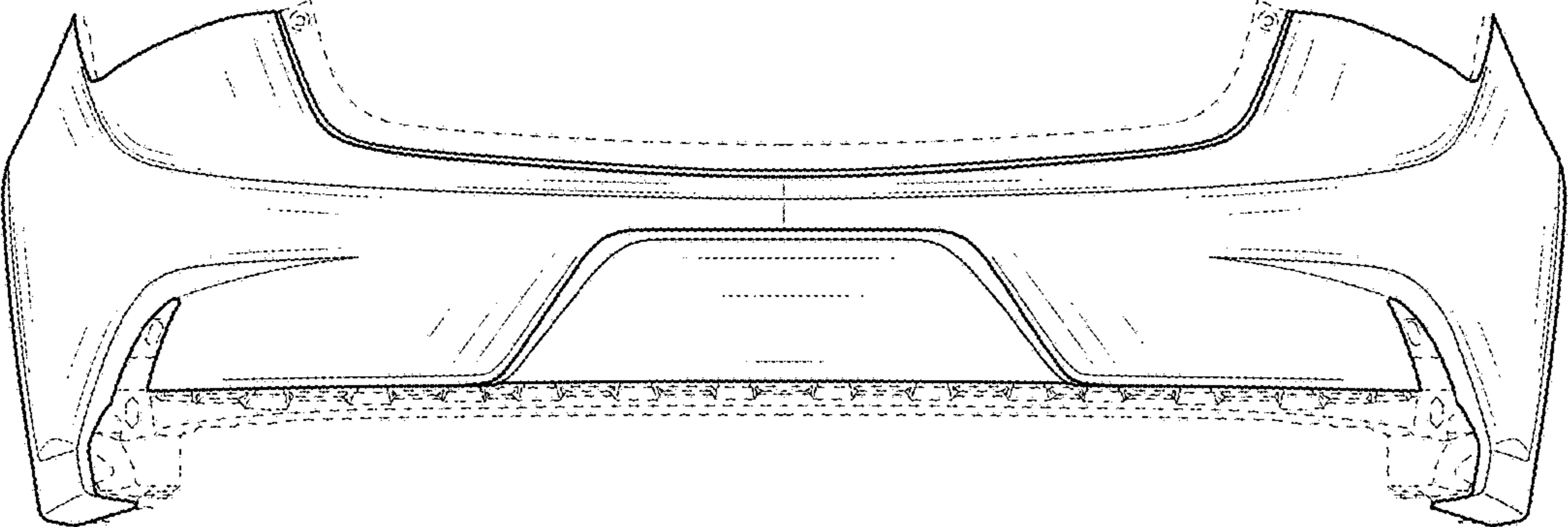


FIG. 3

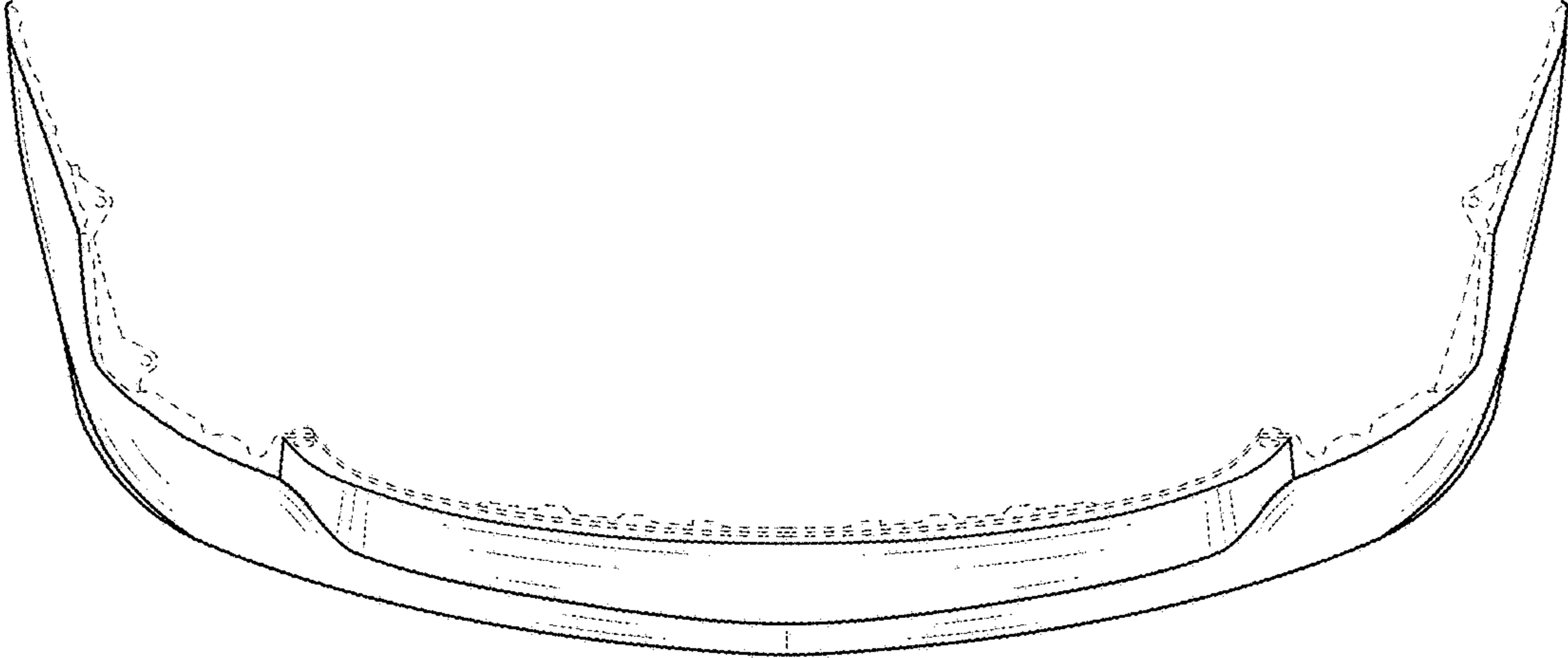


FIG. 4

