



US00D863145S

(12) **United States Design Patent** (10) **Patent No.:** **US D863,145 S**
Woodhouse et al. (45) **Date of Patent:** **** Oct. 15, 2019**

(54) **VEHICLE FRONT UPPER BUMPER COVER**

D775,012 S * 12/2016 Tomita D12/169
D784,216 S * 4/2017 Fuchino D12/169
D791,025 S * 7/2017 Lee D12/164

(71) Applicant: **Ford Global Technologies, LLC,**
Dearborn, MI (US)

FOREIGN PATENT DOCUMENTS

(72) Inventors: **David Woodhouse,** Troy, MI (US);
Earl C. Lucas, Southfield, MI (US);
Shawn Wehrly, Northville, MI (US);
Keith Rogman, Fenton, MI (US);
Johnathan S. Ouyang, Ann Arbor, MI
(US)

CN 301039097 * 10/2009
CN 301370812 * 10/2010
RU 00068104 * 10/2008

OTHER PUBLICATIONS

(73) Assignee: **Ford Global Technologies, LLC,**
Dearborn, MI (US)

<https://www.lincoln.com/luxury-cars/mkz-hybrid/> Retrieved Feb. 8,
2019 (Year: 2019).*

(**) Term: **15 Years**

* cited by examiner

(21) Appl. No.: **29/624,228**

Primary Examiner — Leanne Was-Englehart
(74) *Attorney, Agent, or Firm* — Vichit Chea

(22) Filed: **Oct. 31, 2017**

(57) **CLAIM**

(51) **LOC (12) Cl.** **12-16**

The ornamental design for a vehicle front upper bumper
cover, as shown and described.

(52) **U.S. Cl.**

DESCRIPTION

USPC **D12/164**

(58) **Field of Classification Search**

USPC D12/86, 163, 164, 167, 169–172, 216;
D21/424, 427, 433, 483, 533, 548
CPC B60R 19/02; B60R 19/04; B60R 19/18;
B60R 19/24; B60R 19/26; B60R 19/52;
B62D 25/08; B60K 11/08

See application file for complete search history.

FIG. 1 is a top, front, and left side perspective view of a
vehicle front upper bumper cover, showing our new design;
FIG. 2 is a bottom, front, and left side perspective view
thereof;
FIG. 3 is a top, rear, and left side perspective view thereof;
FIG. 4 is a front elevational view thereof;
FIG. 5 is a rear elevational view thereof;
FIG. 6 is a left side elevational view thereof;
FIG. 7 is a right side elevational view thereof;
FIG. 8 is a top plan view thereof; and,
FIG. 9 is a bottom plan view thereof.

(56) **References Cited**

U.S. PATENT DOCUMENTS

D559,163 S * 1/2008 Okamoto D12/164
D739,316 S * 9/2015 Blanski D12/169
D770,337 S * 11/2016 Wolff D12/169

1 Claim, 9 Drawing Sheets

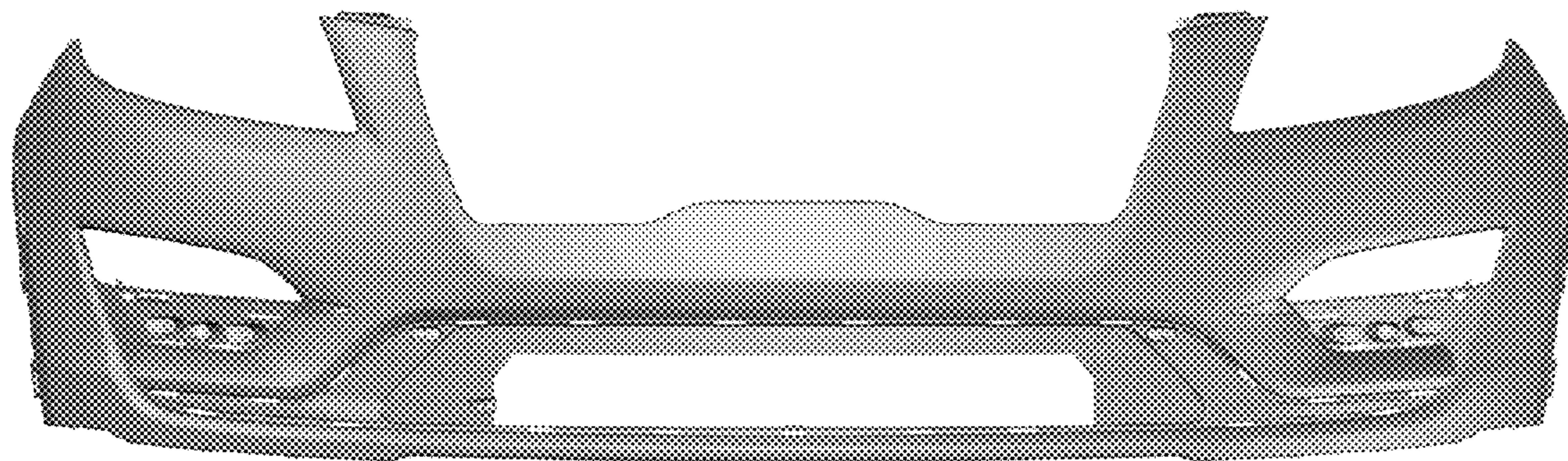
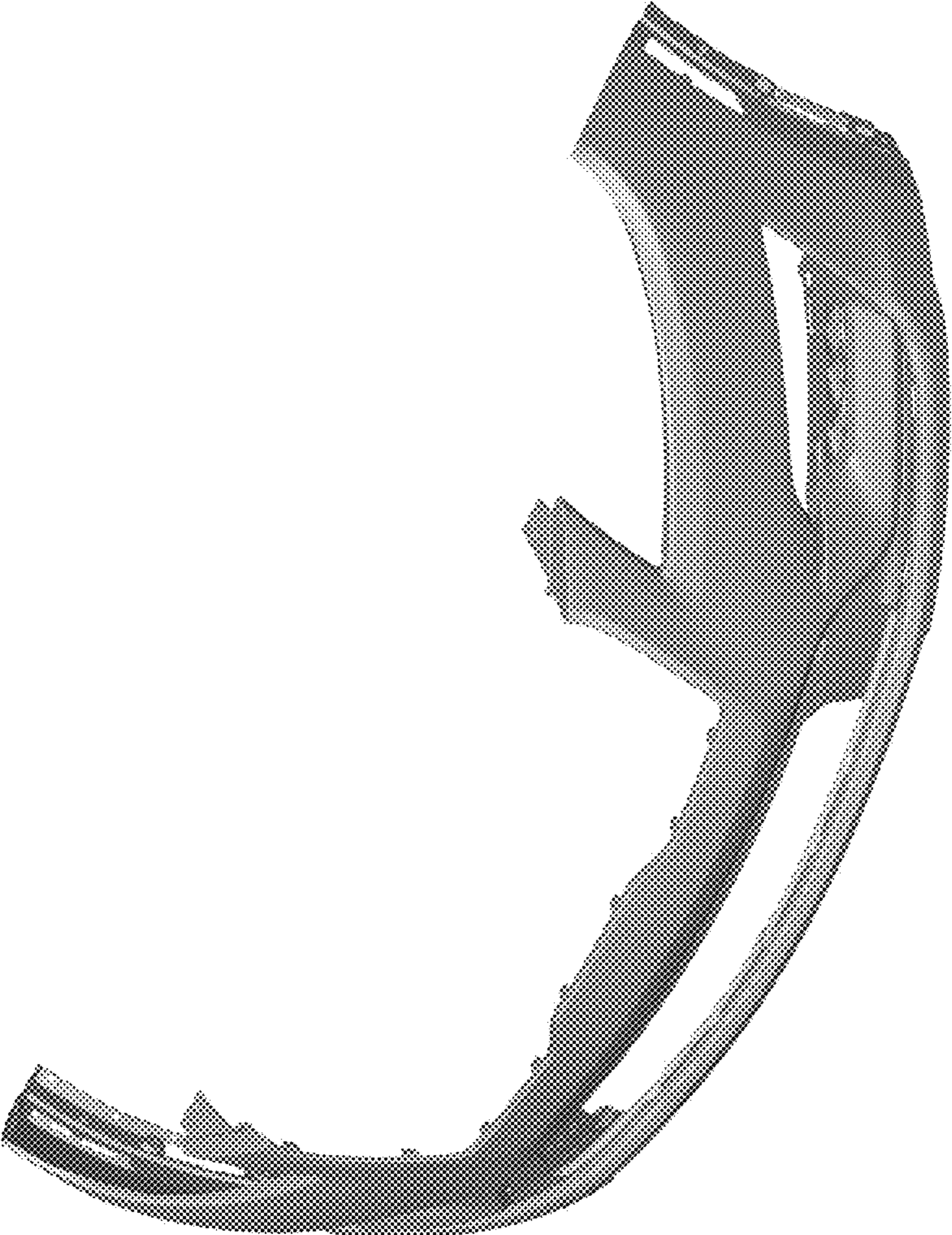


FIG. 1



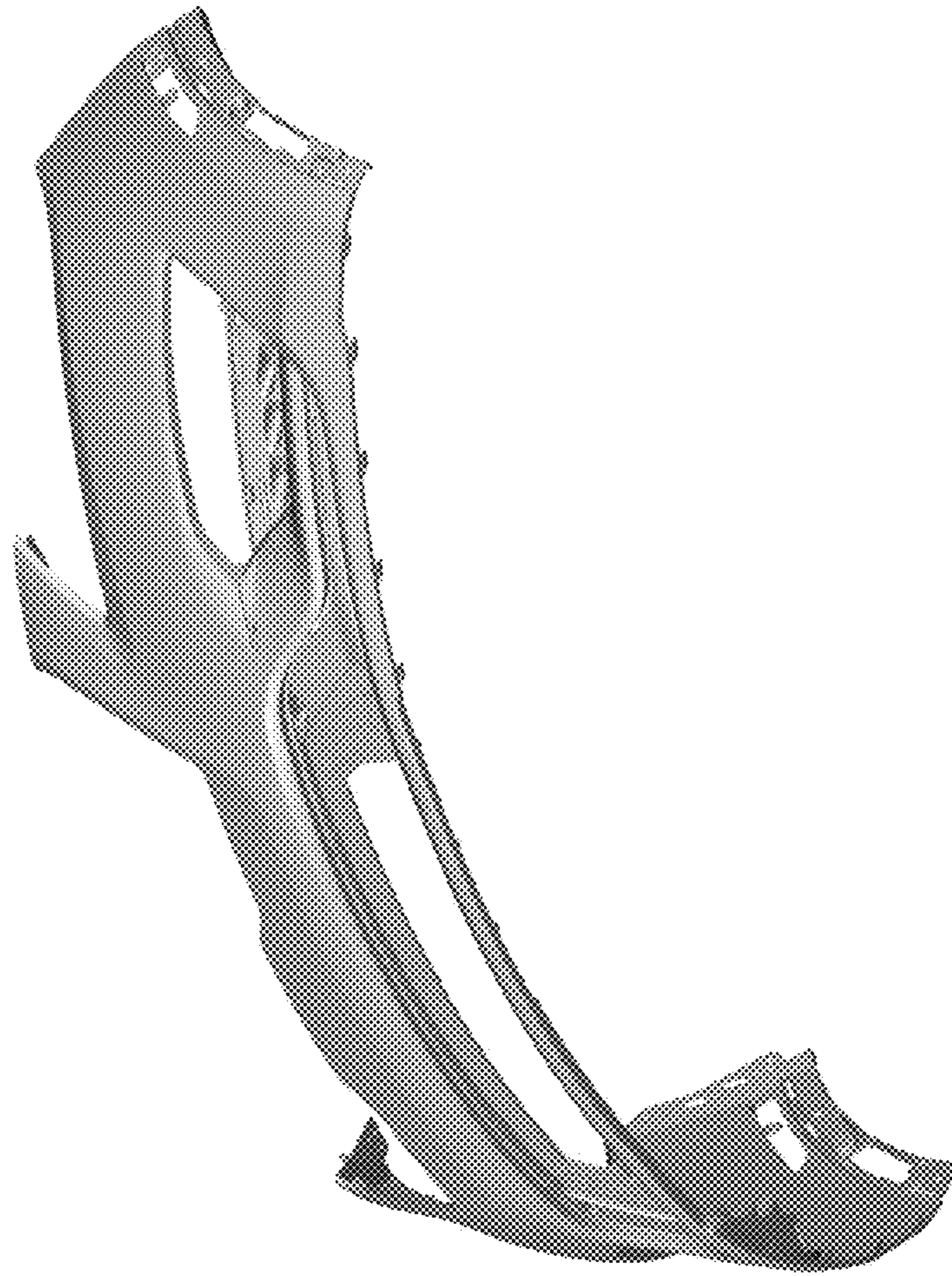


FIG. 2

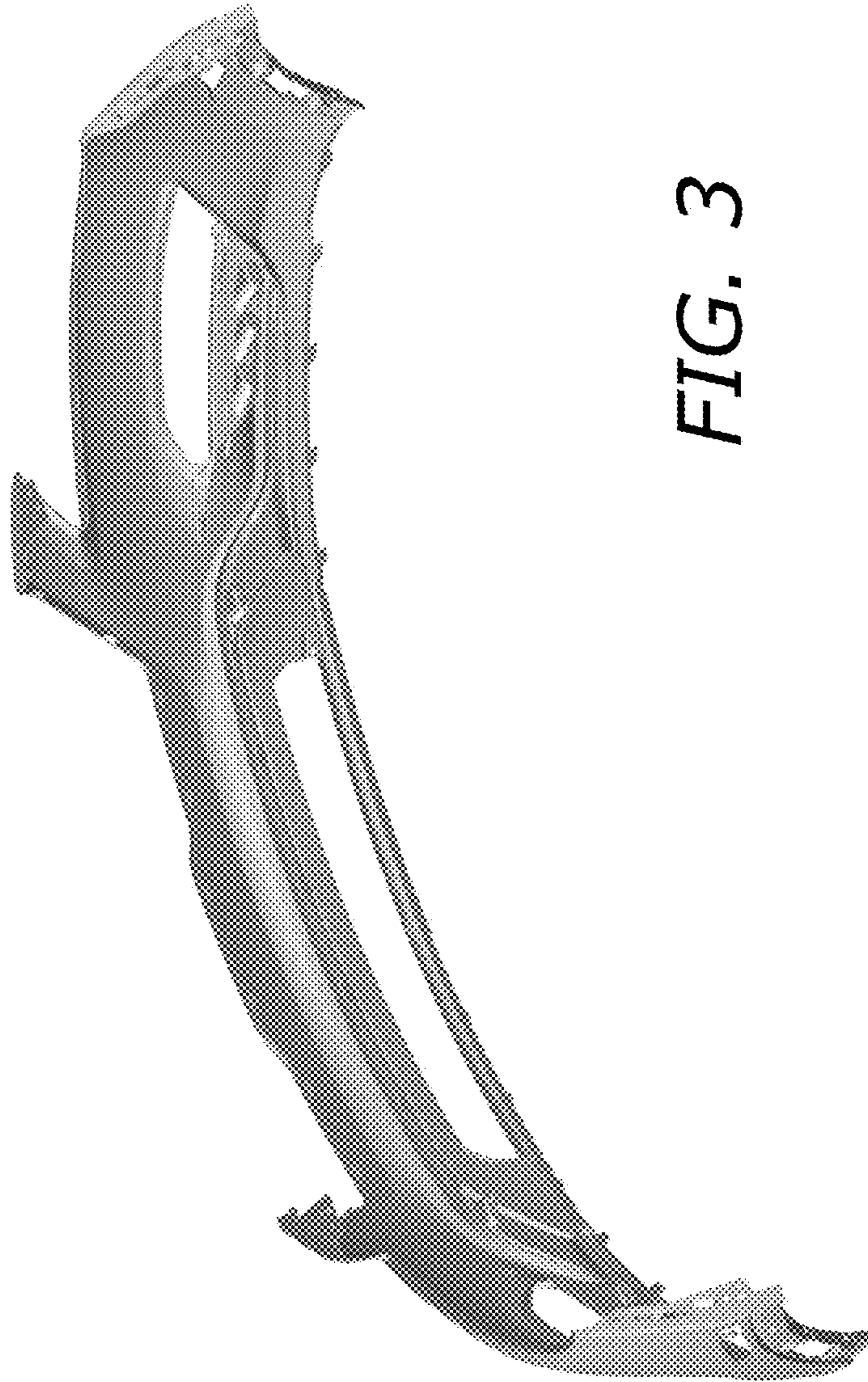


FIG. 3

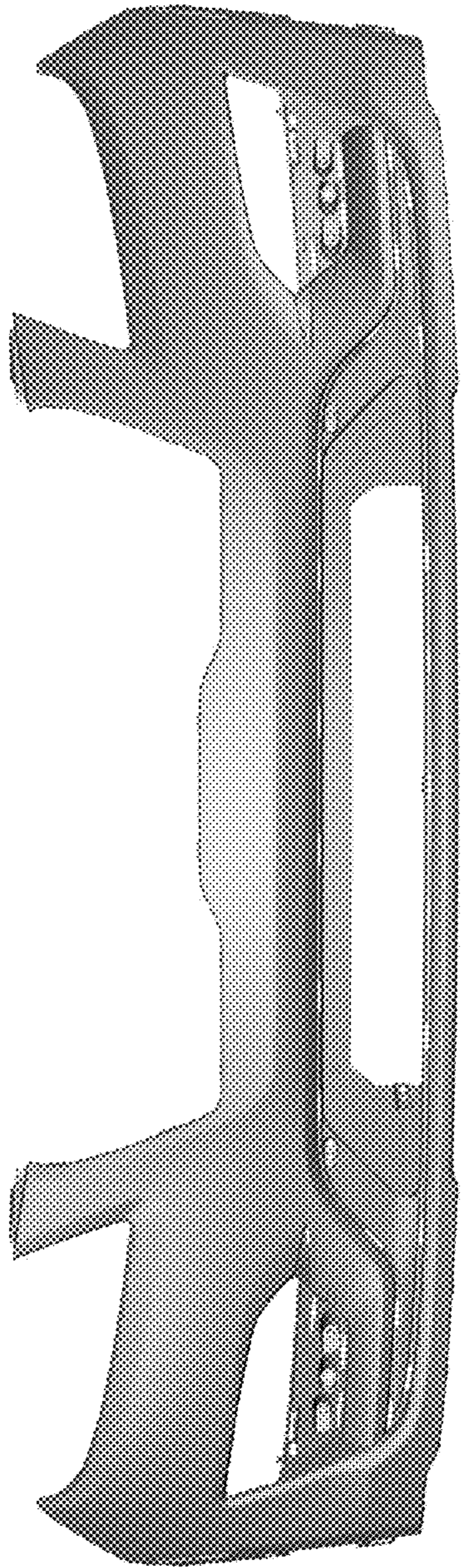


FIG. 4

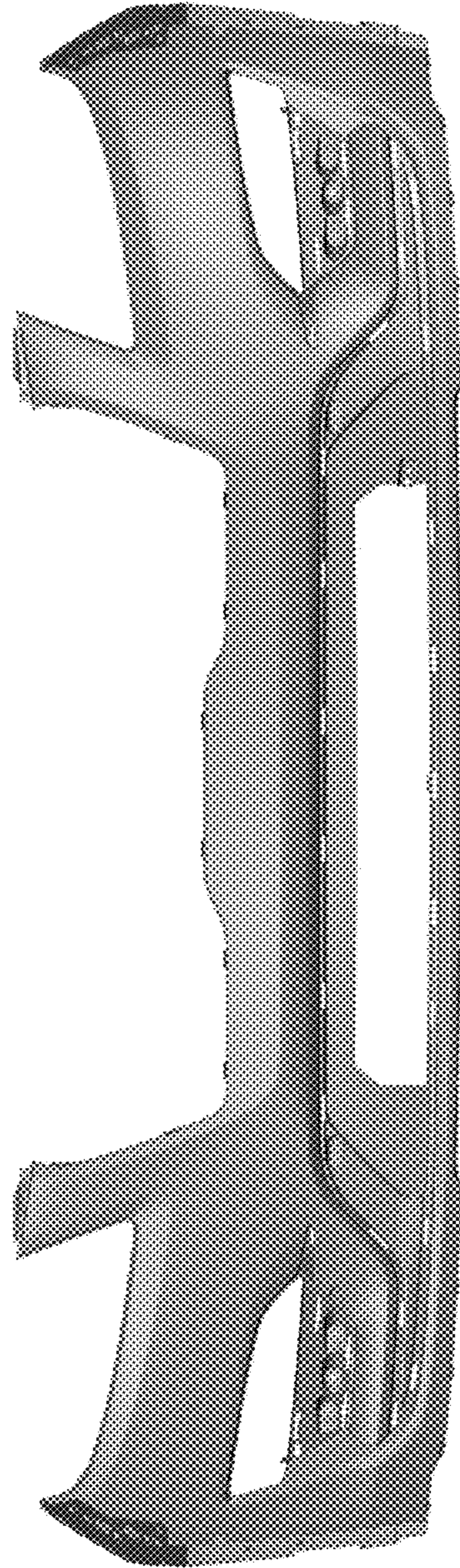


FIG. 5

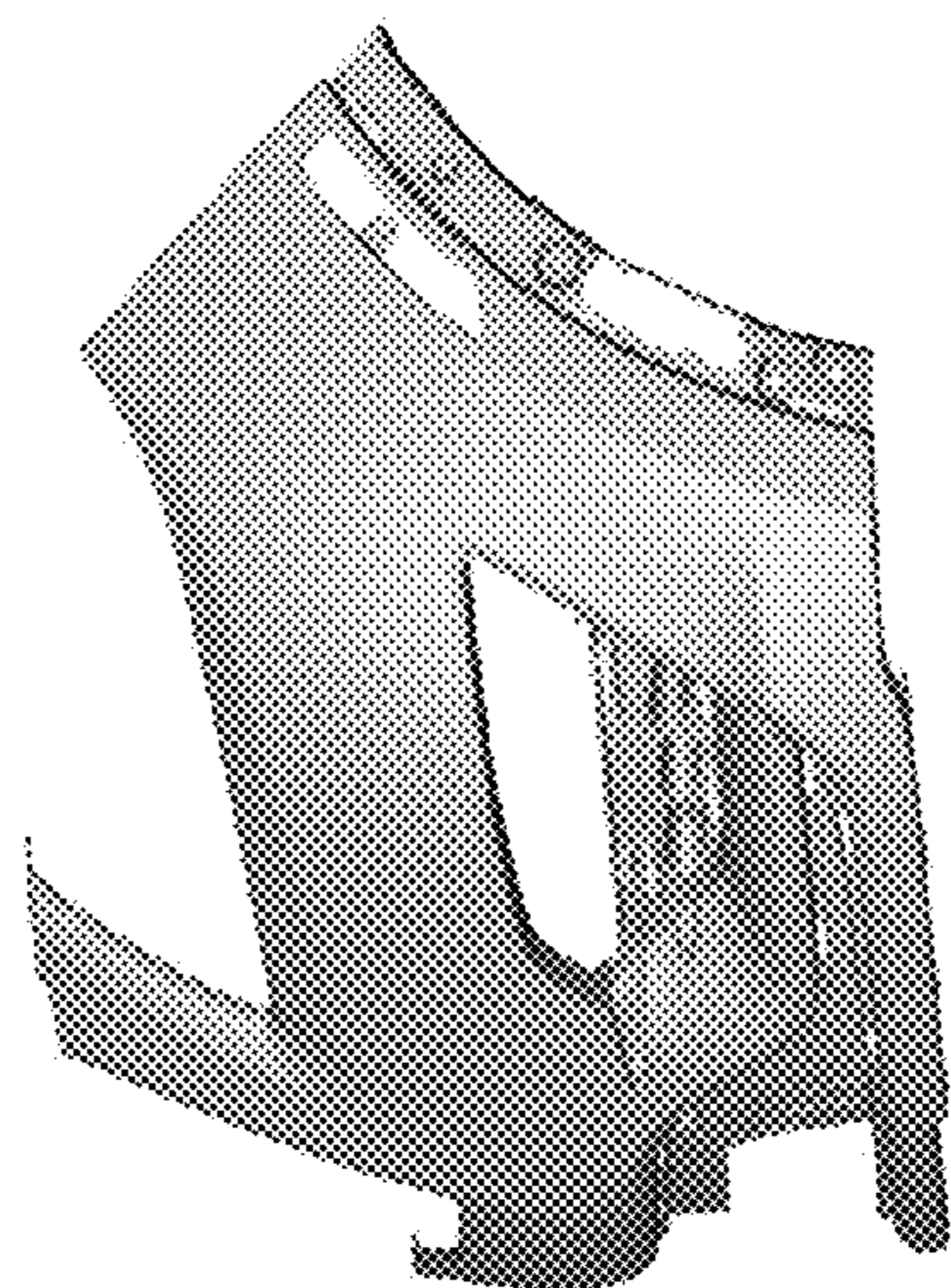


FIG. 6

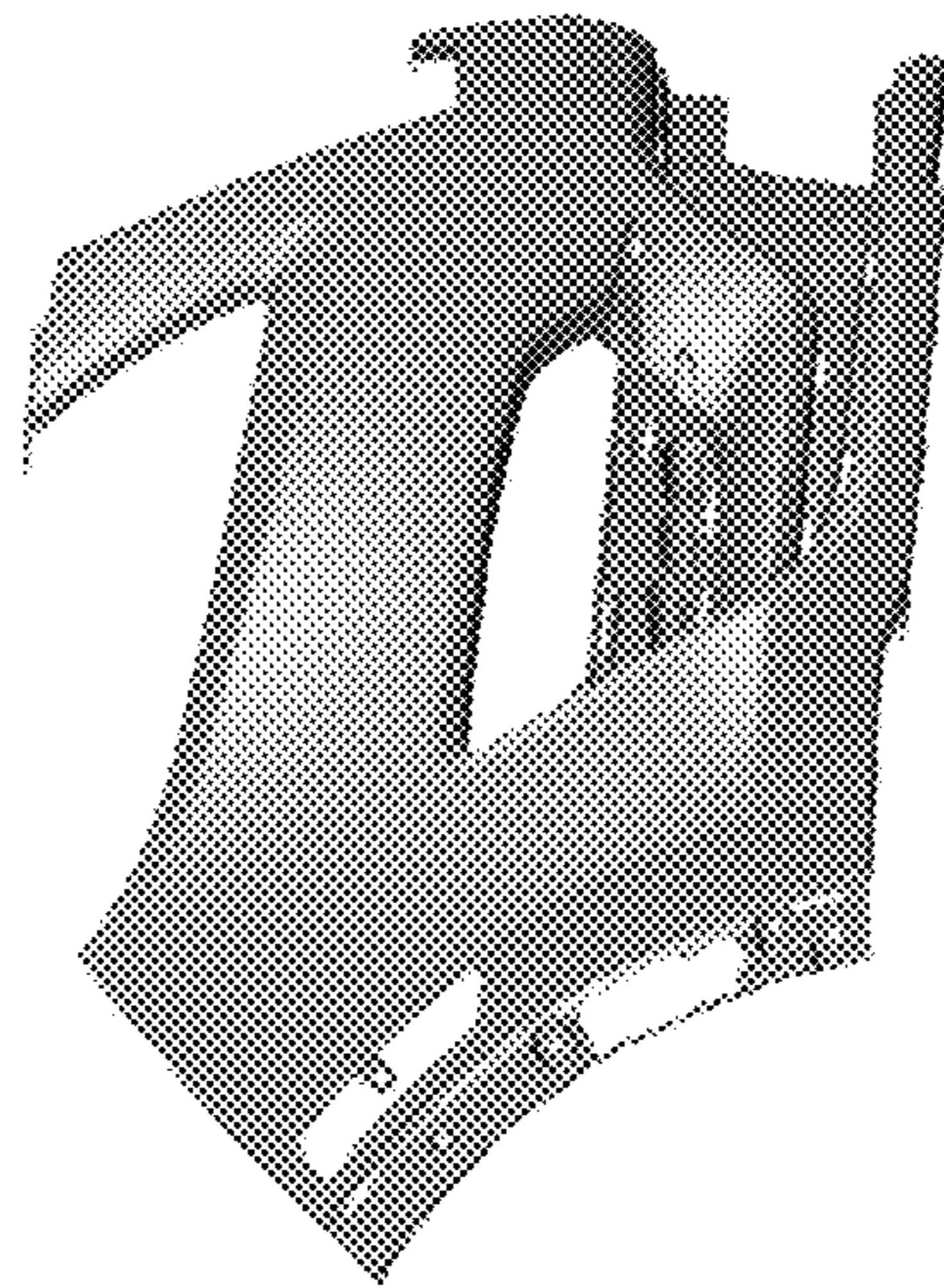


FIG. 7

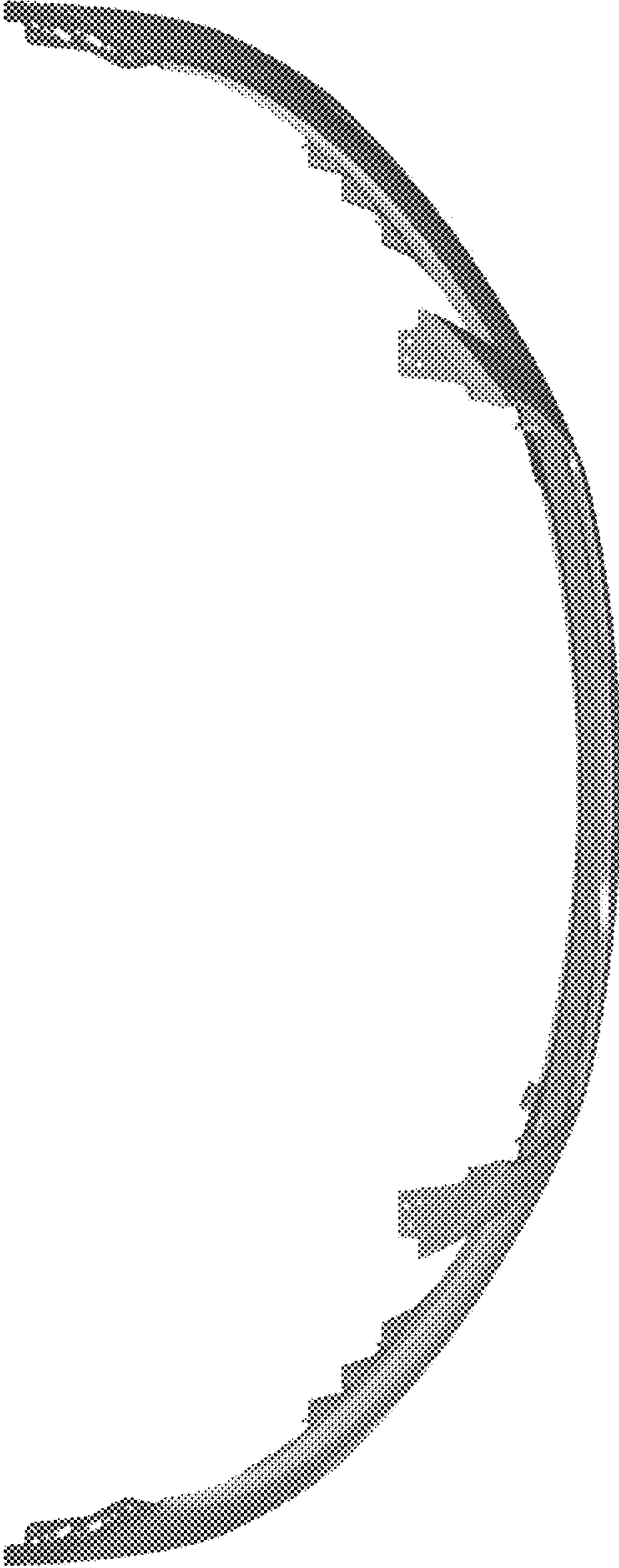


FIG. 8

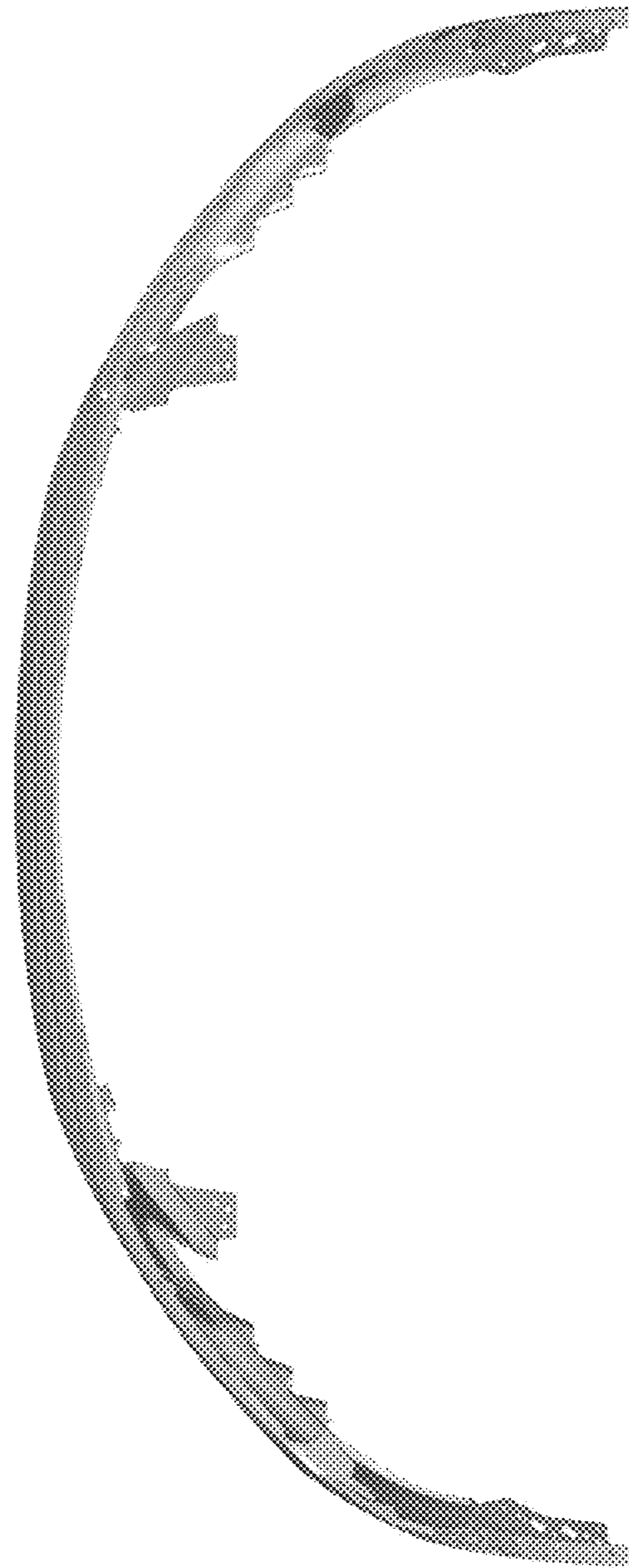


FIG. 9