



US00D863124S

(12) **United States Design Patent** (10) **Patent No.:** **US D863,124 S**  
**Siegel** (45) **Date of Patent:** **\*\* Oct. 15, 2019**

(54) **DUAL HITCH SHACKLE AND HOOK ASSEMBLY**

(71) Applicant: **Cequent Consumer Products, Inc.**, Solon, OH (US)

(72) Inventor: **Theodore J. Siegel**, Mayfield Heights, OH (US)

(73) Assignee: **HORIZON GLOBAL AMERICAS INC.**, Plymouth, MI (US)

(\*\*) Term: **15 Years**

(21) Appl. No.: **29/593,134**

(22) Filed: **Feb. 6, 2017**

(51) **LOC (12) Cl.** ..... **12-16**

(52) **U.S. Cl.**  
USPC ..... **D12/162**

(58) **Field of Classification Search**  
USPC ..... D12/400, 199, 161, 162  
CPC ..... B60D 1/187; B60D 1/06; B60D 1/065;  
B60D 1/07; B60D 1/145; B60D 1/02;  
B60D 1/46; B60D 1/14; B60D 1/00;  
B60D 1/28; A01B 59/042  
See application file for complete search history.

(56) **References Cited**

U.S. PATENT DOCUMENTS

- 3,269,109 A \* 8/1966 Hart ..... B60D 1/187  
59/86
- 6,158,760 A \* 12/2000 Kiss ..... B60D 1/28  
280/491.5
- D526,602 S \* 8/2006 Sparkes ..... D12/162
- D581,324 S \* 11/2008 Fonk ..... D12/162

- D615,006 S \* 5/2010 Goodman ..... D12/162
- D695,652 S \* 12/2013 In ..... D12/162
- 9,004,522 B1 \* 4/2015 Hood ..... B60D 1/187  
280/495
- 9,114,679 B2 \* 8/2015 Hood ..... B60D 1/14
- D737,734 S \* 9/2015 McGinnes ..... D12/162
- D757,518 S \* 5/2016 Najarro ..... D8/331
- 2002/0140206 A1 \* 10/2002 Lloyd ..... B60D 1/04  
280/491.5
- 2008/0252042 A1 \* 10/2008 Sparkes ..... B60D 1/00  
280/491.3
- 2015/0360528 A1 \* 12/2015 McCall ..... B60D 1/06  
280/512

\* cited by examiner

*Primary Examiner* — Susan E Krakower

*Assistant Examiner* — Jerry Shiuan-Hua Hsu

(74) *Attorney, Agent, or Firm* — McDonald Hopkins LLC

(57) **CLAIM**

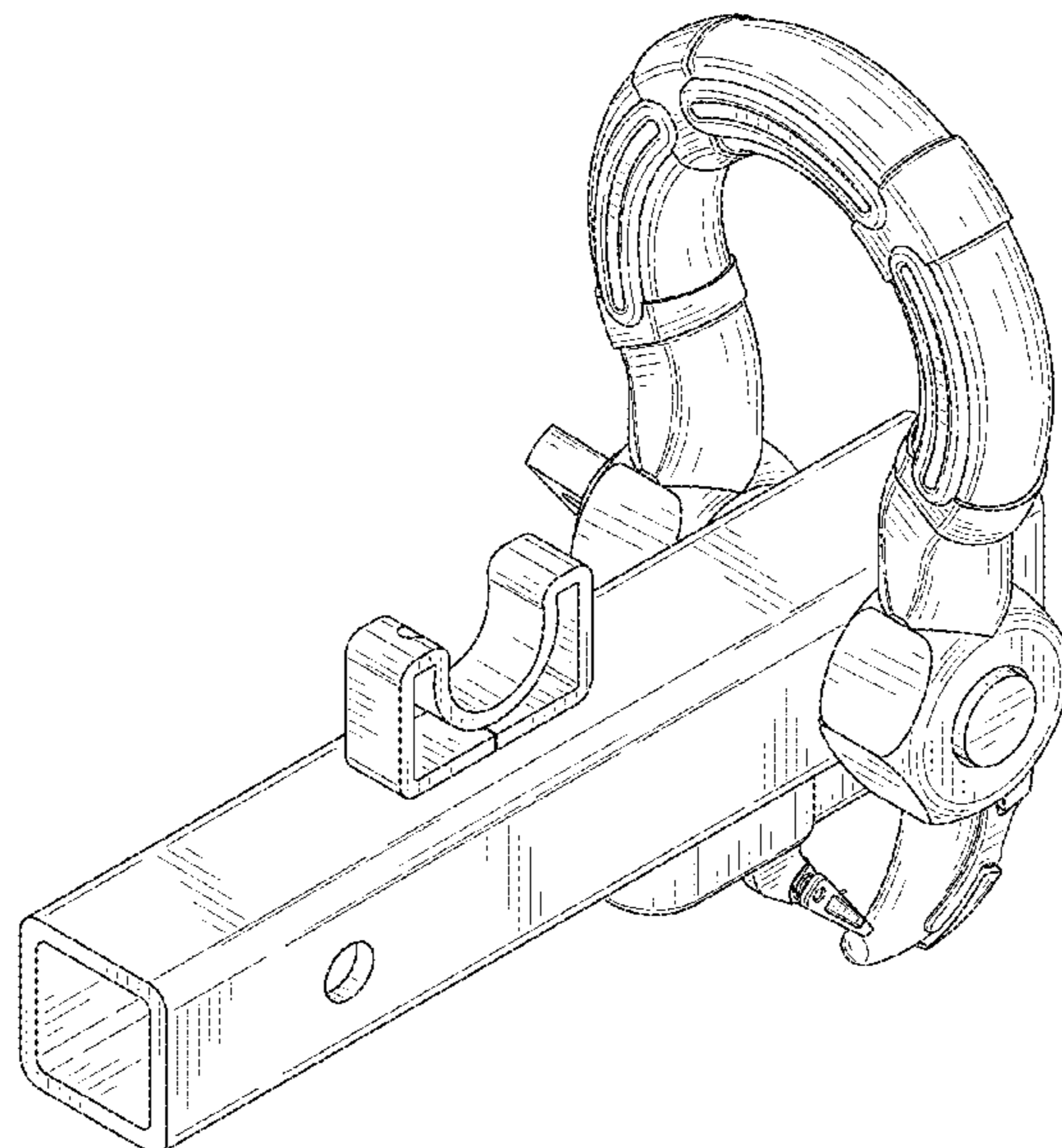
The ornamental design for a dual hitch shackle and hook assembly, as shown and described.

**DESCRIPTION**

FIG. 1 is a perspective view of the dual hitch shackle and hook assembly, showing my new design; FIG. 2 is a right side view thereof; FIG. 3 is a left side view thereof; FIG. 4 is a front view thereof; FIG. 5 is a rear view thereof; FIG. 6 is a top view thereof; and, FIG. 7 is a bottom view thereof.

The broken lines in the figures are included for the purpose of illustrating portions of the dual hitch shackle and hook assembly and form no part of the claimed design.

**1 Claim, 6 Drawing Sheets**



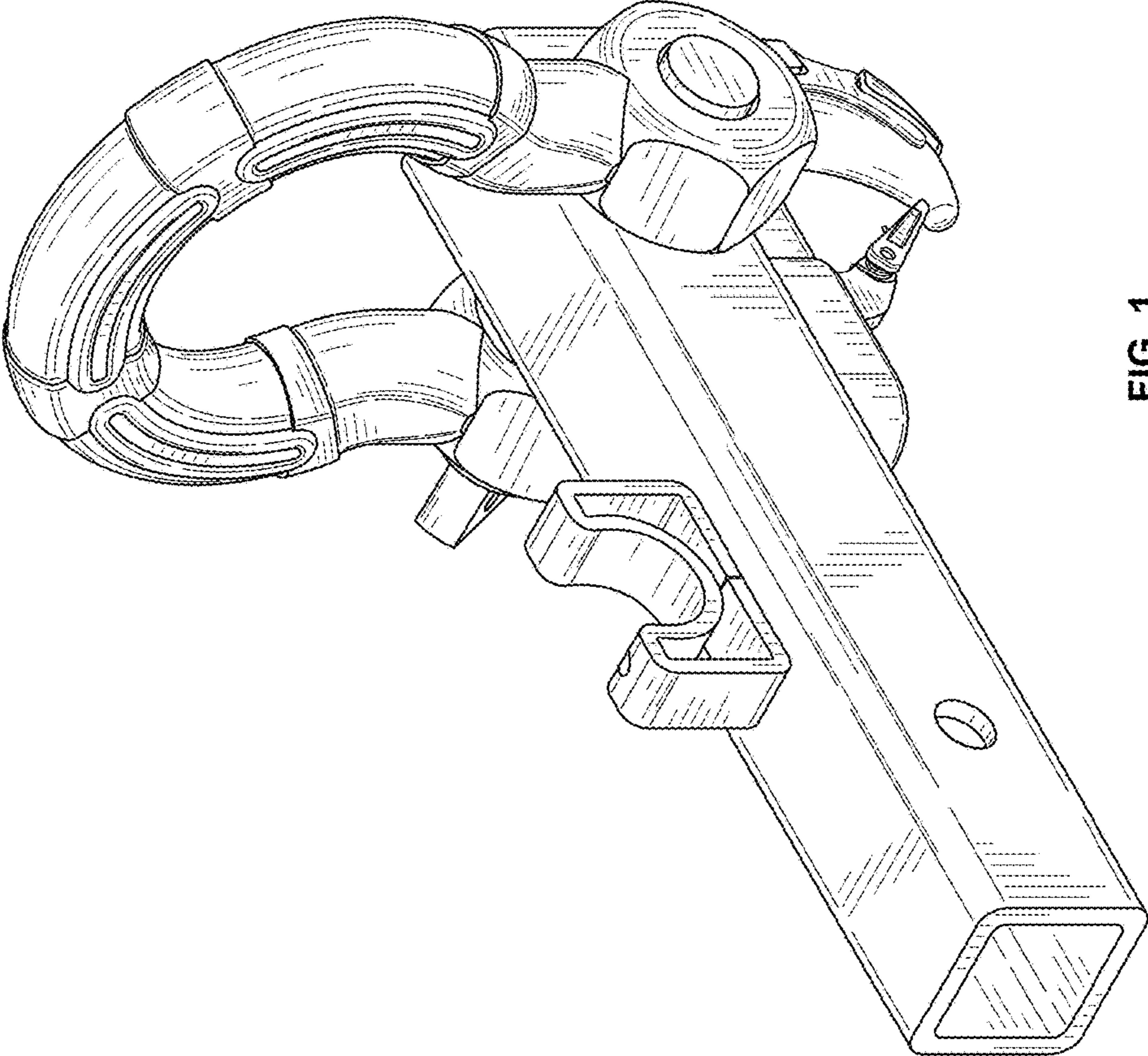


FIG. 1

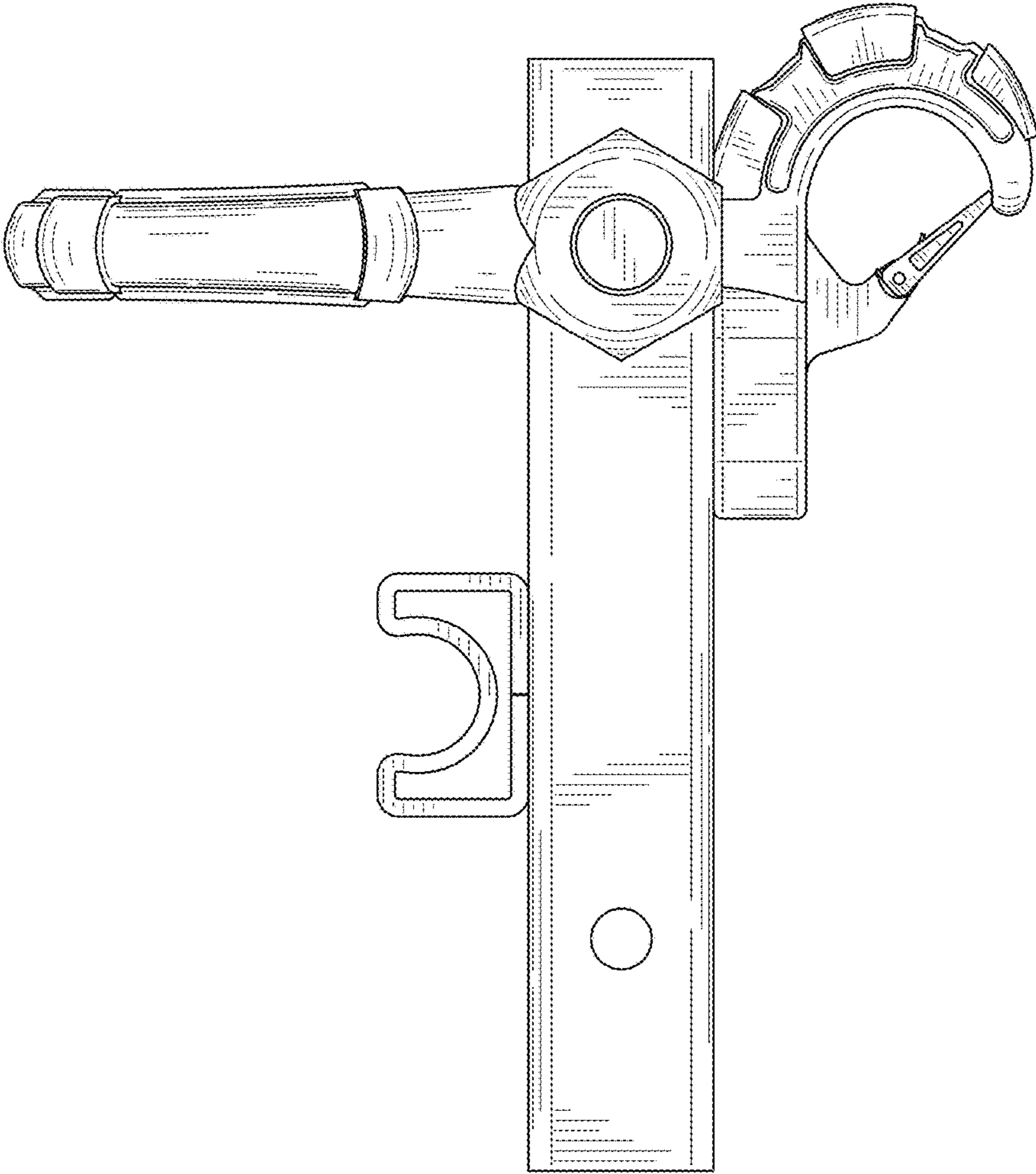


FIG. 2

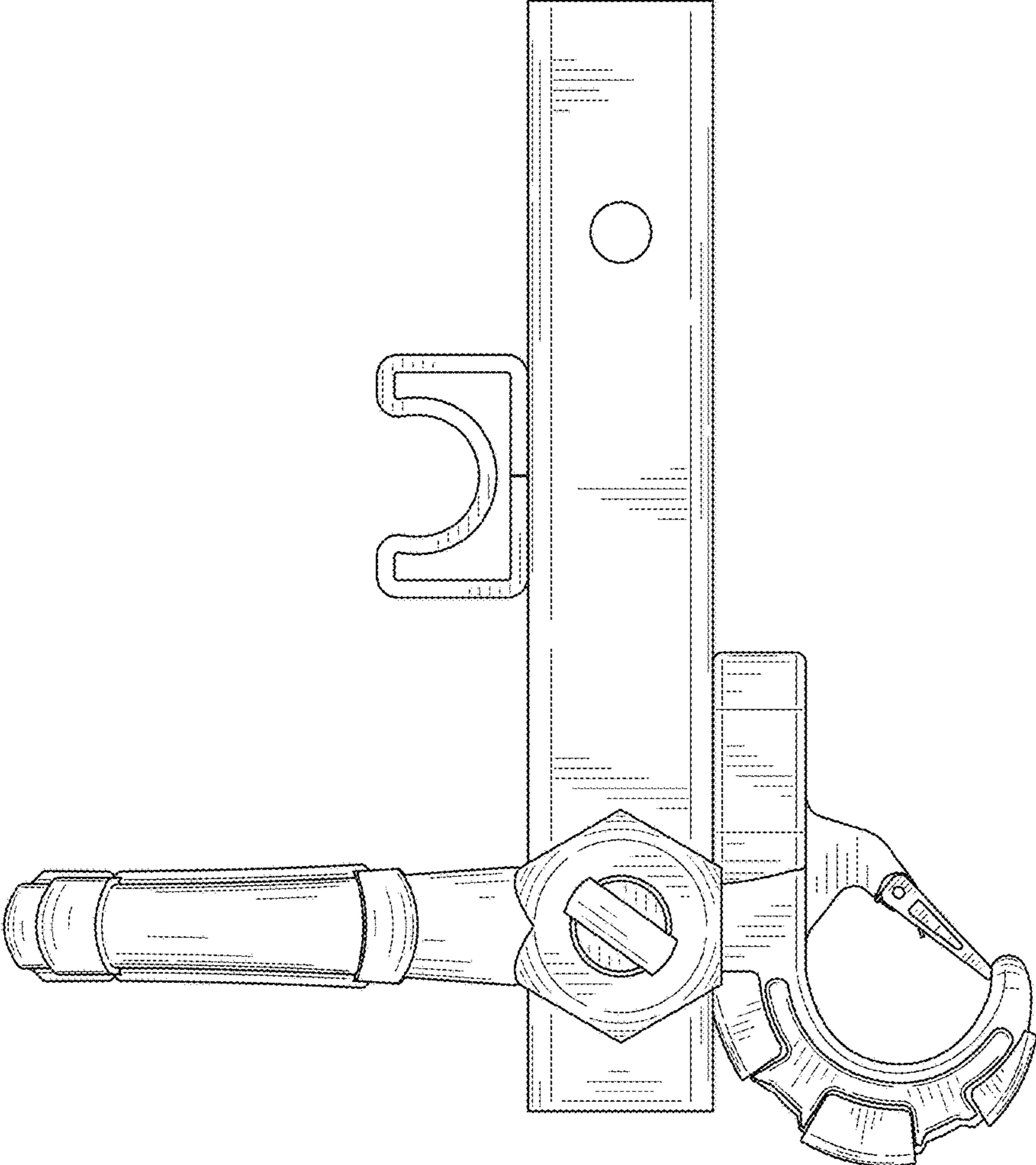


FIG. 3

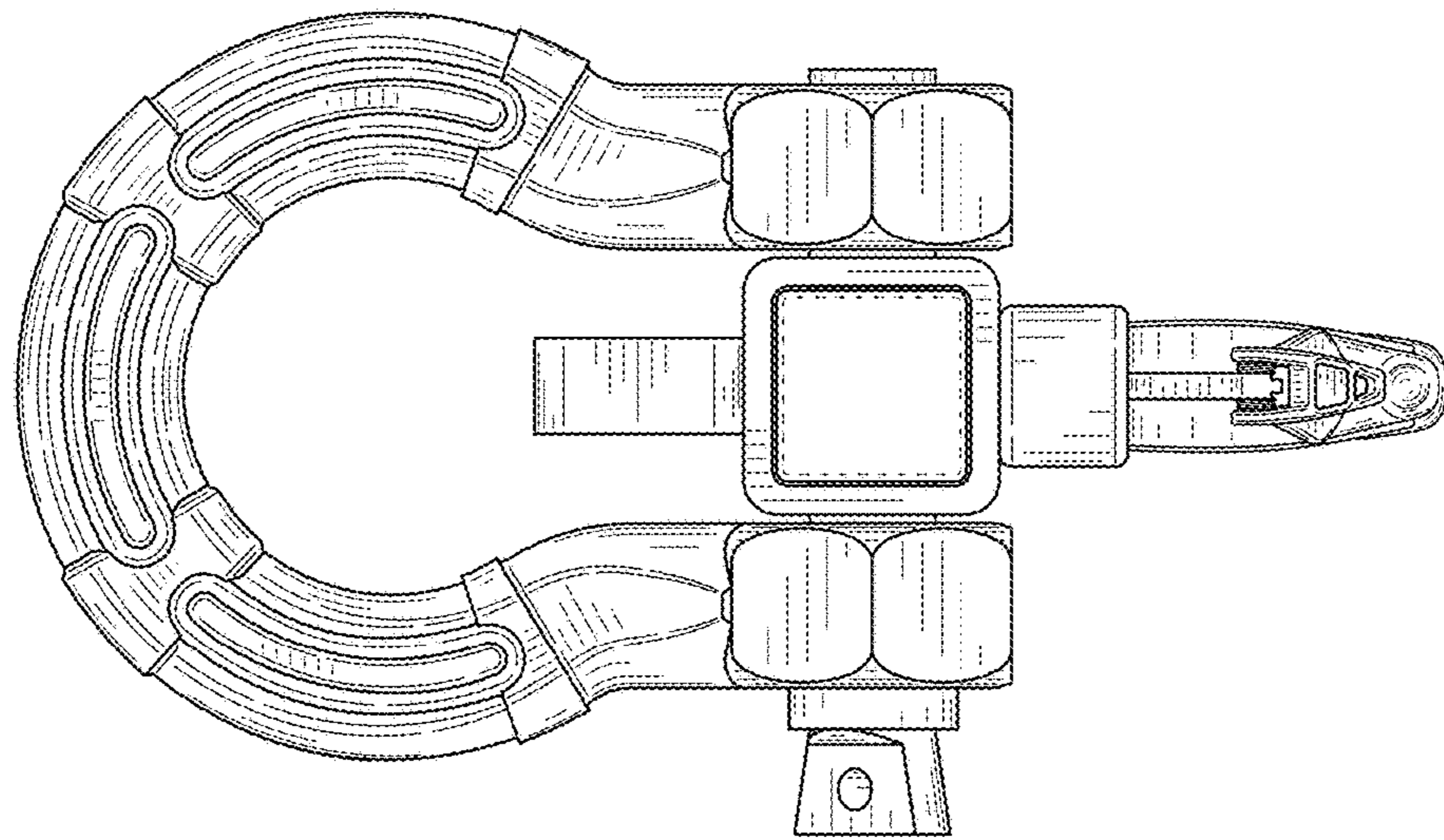


FIG. 5

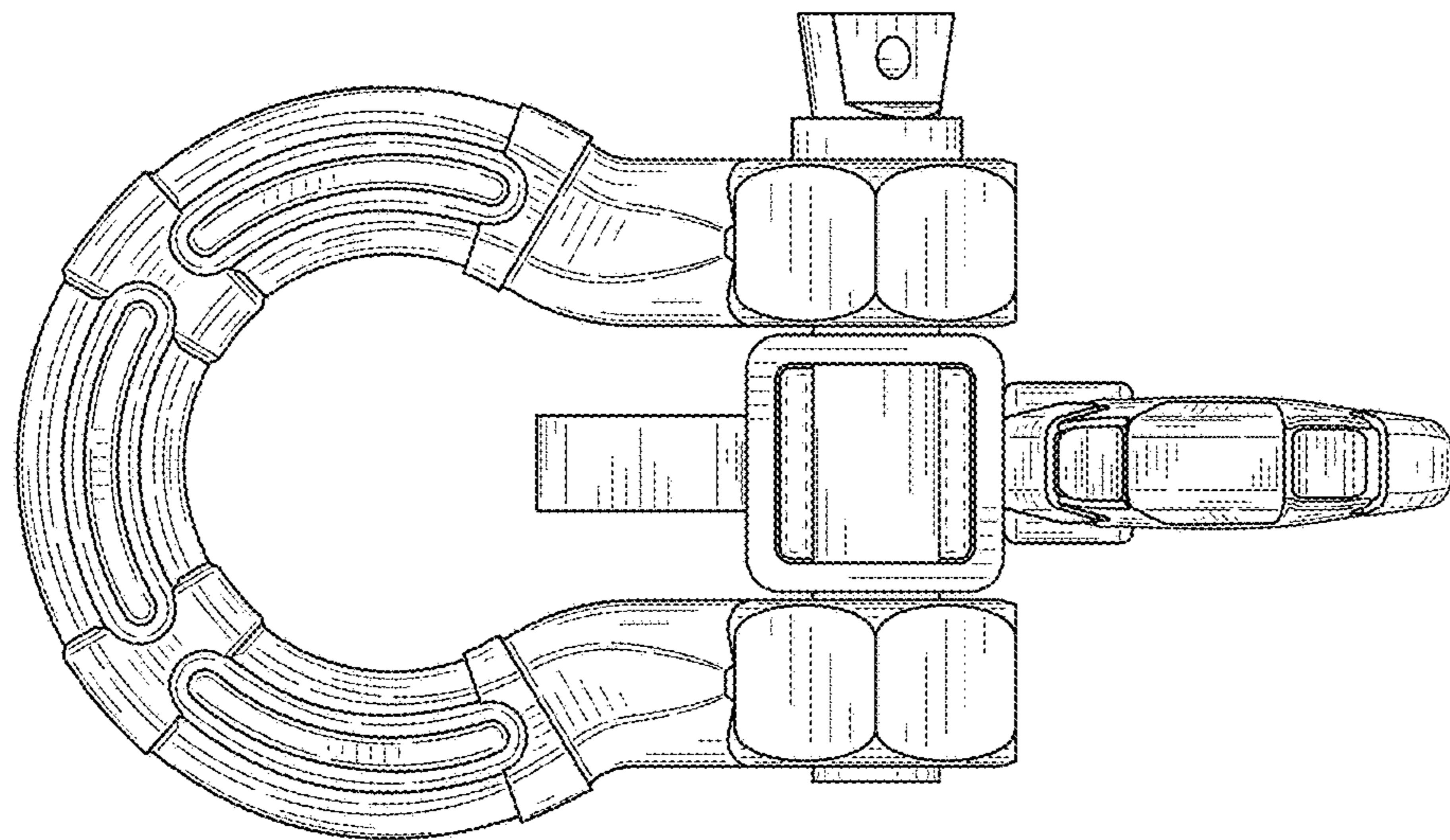


FIG. 4

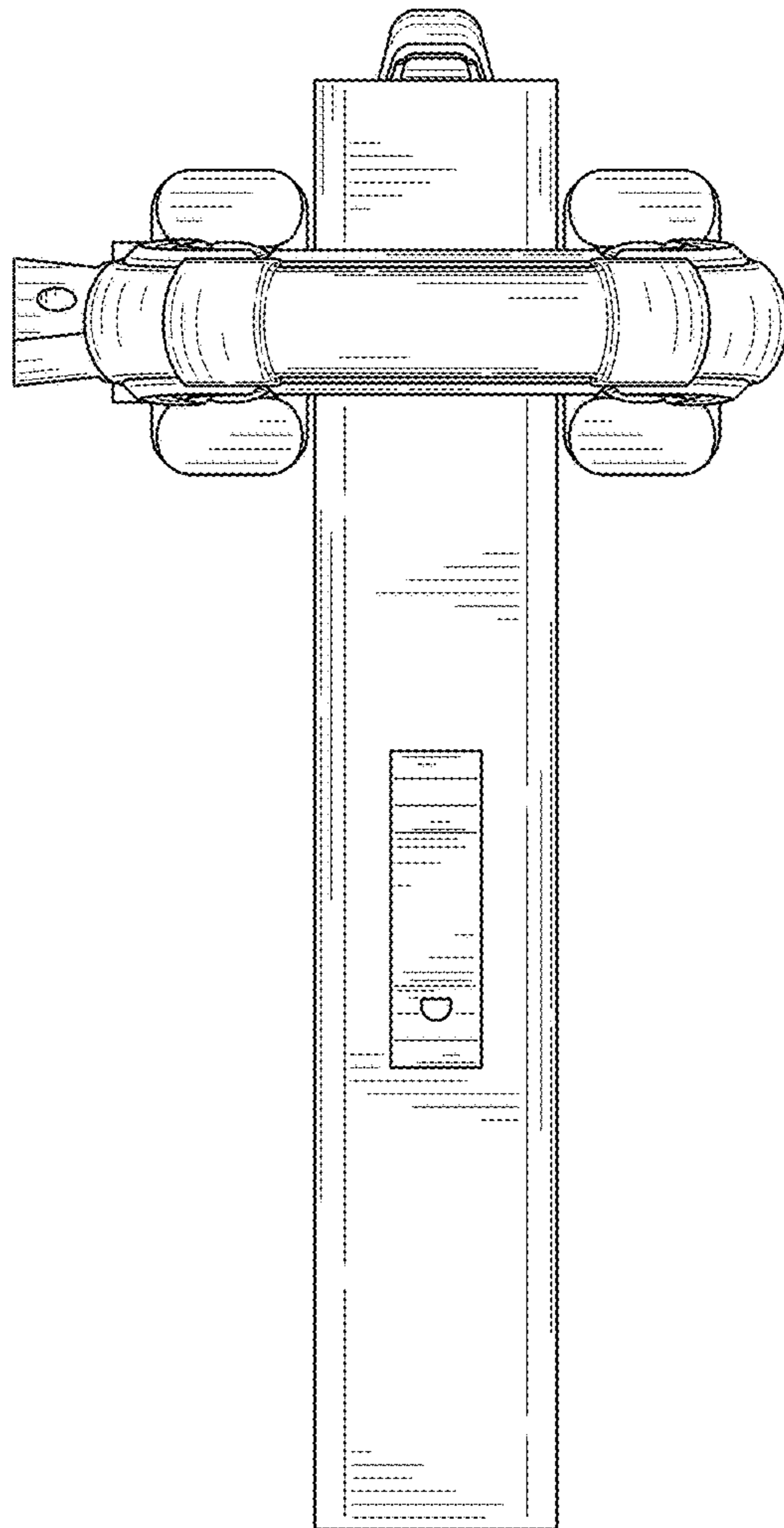


FIG. 6

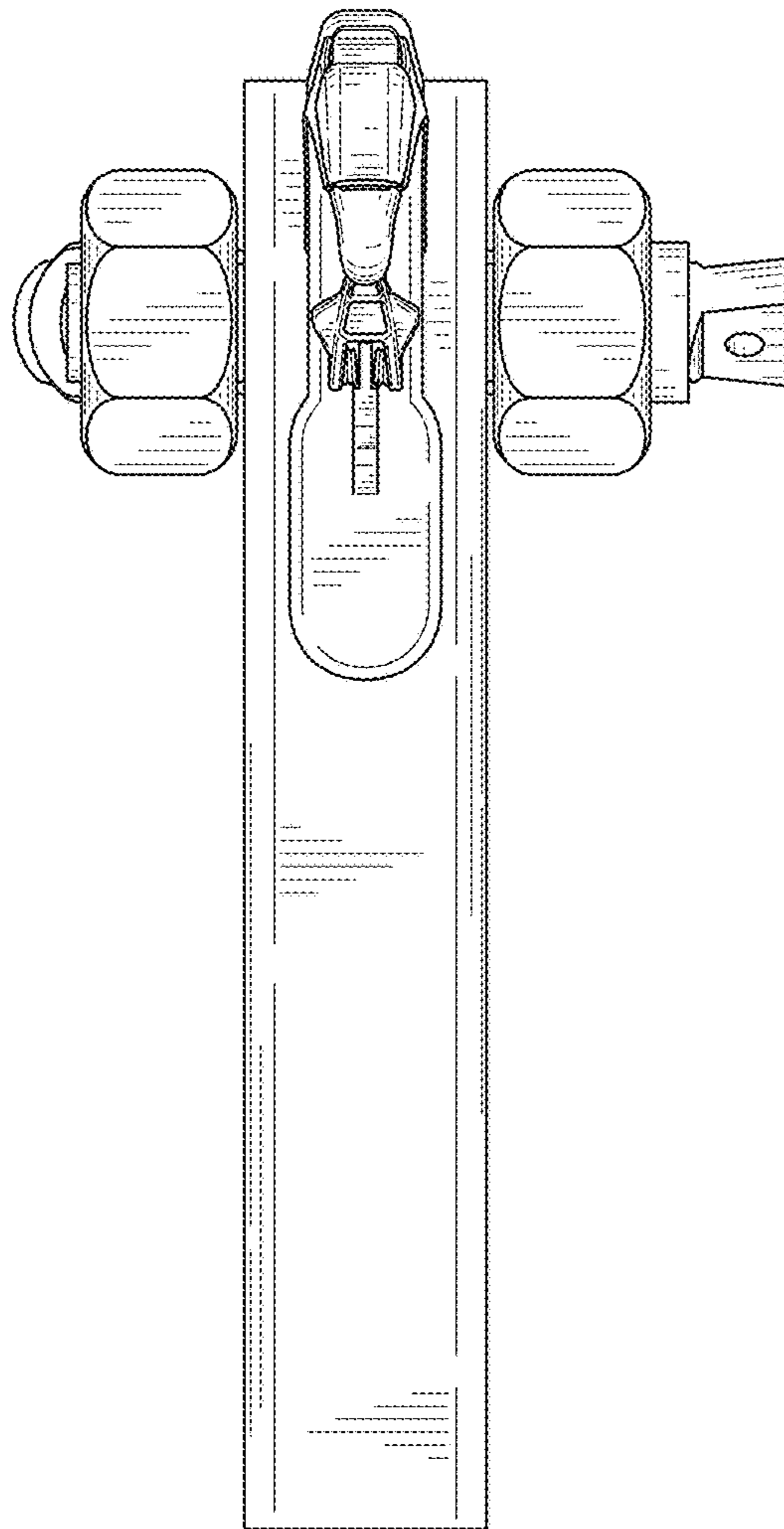


FIG. 7