



US00D863123S

(12) **United States Design Patent**
Mitchell

(10) **Patent No.:** **US D863,123 S**

(45) **Date of Patent:** **** Oct. 15, 2019**

- (54) **WALKER CLIP**
- (71) Applicant: **Trumaine Willie Mitchell**, Chicago, IL (US)
- (72) Inventor: **Trumaine Willie Mitchell**, Chicago, IL (US)
- (**) Term: **15 Years**

- 4,378,937 A * 4/1983 Dearman B23K 37/0533
269/203
- D522,849 S * 6/2006 Dick D8/354
- D569,714 S * 5/2008 Stewart D8/367
- D592,943 S * 5/2009 Kamangar D8/367
- D627,209 S * 11/2010 Aziz D8/367
- 8,534,626 B1 * 9/2013 Freese A47G 29/083
24/376
- 9,357,284 B2 * 5/2016 Bacino H04R 1/1033
- 9,474,336 B2 * 10/2016 Fathi A44B 15/005

* cited by examiner

- (21) Appl. No.: **29/591,793**
- (22) Filed: **Jan. 24, 2017**
- (51) **LOC (12) Cl.** **12-12**
- (52) **U.S. Cl.**
USPC **D12/133**
- (58) **Field of Classification Search**
USPC D12/128-133
CPC A61H 2003/001-007; A61H 2003/043;
A61H 2003/046; A61H 3/00; A61H 3/04;
F16B 45/00; F16B 45/06
See application file for complete search history.

Primary Examiner — Charles D Hanson
(74) *Attorney, Agent, or Firm* — Fraline J. Allgaier

(57) **CLAIM**

The ornamental design for a walker clip, as shown and described.

DESCRIPTION

FIG. 1 is a perspective view of the walker clip
 FIG. 2 is a front side view thereof.
 FIG. 3 is a back side view thereof.
 FIG. 4 is a front side view thereof.
 FIG. 5 is back side view thereof.
 FIG. 6 is a left side view thereof.
 FIG. 7 is a right side view thereof; and,
 FIG. 8 is a perspective view thereof showing the walker clip being connected to the brace pipe of a walker and being used to transport a small bag.
 The broken lines in FIG. 8 are for illustrative purposes only. None of the broken lines form a part of the claimed design.

(56) **References Cited**

U.S. PATENT DOCUMENTS

- 449,103 A * 3/1891 Bachem A44C 13/00
63/10
- 1,132,414 A * 3/1915 White A47G 25/08
248/217.1
- 3,909,889 A * 10/1975 Emerson B25B 5/10
24/514
- D240,990 S * 8/1976 Berstein D6/316
- D244,910 S * 7/1977 Chasen D8/367

1 Claim, 8 Drawing Sheets

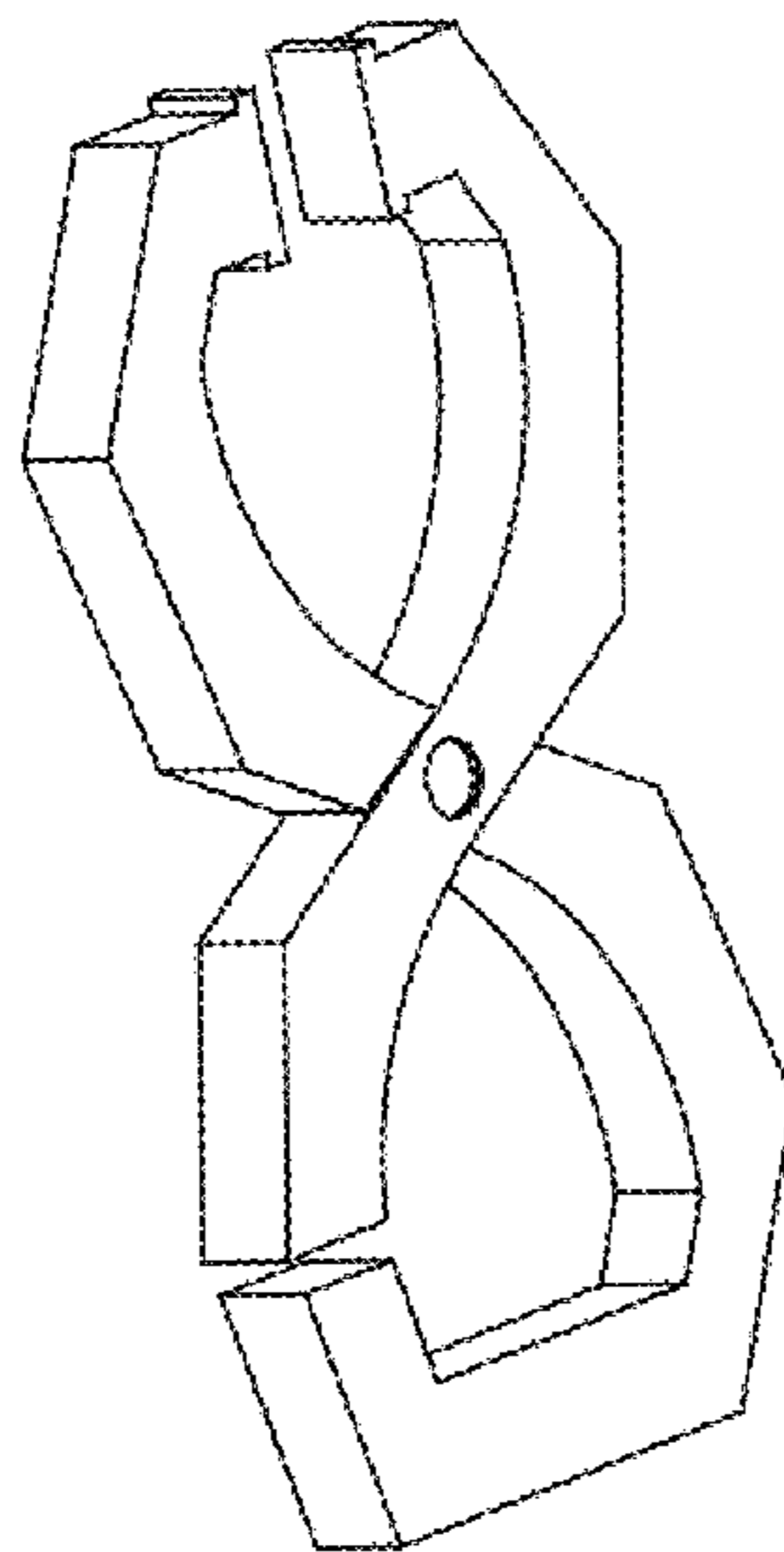


FIG. 1

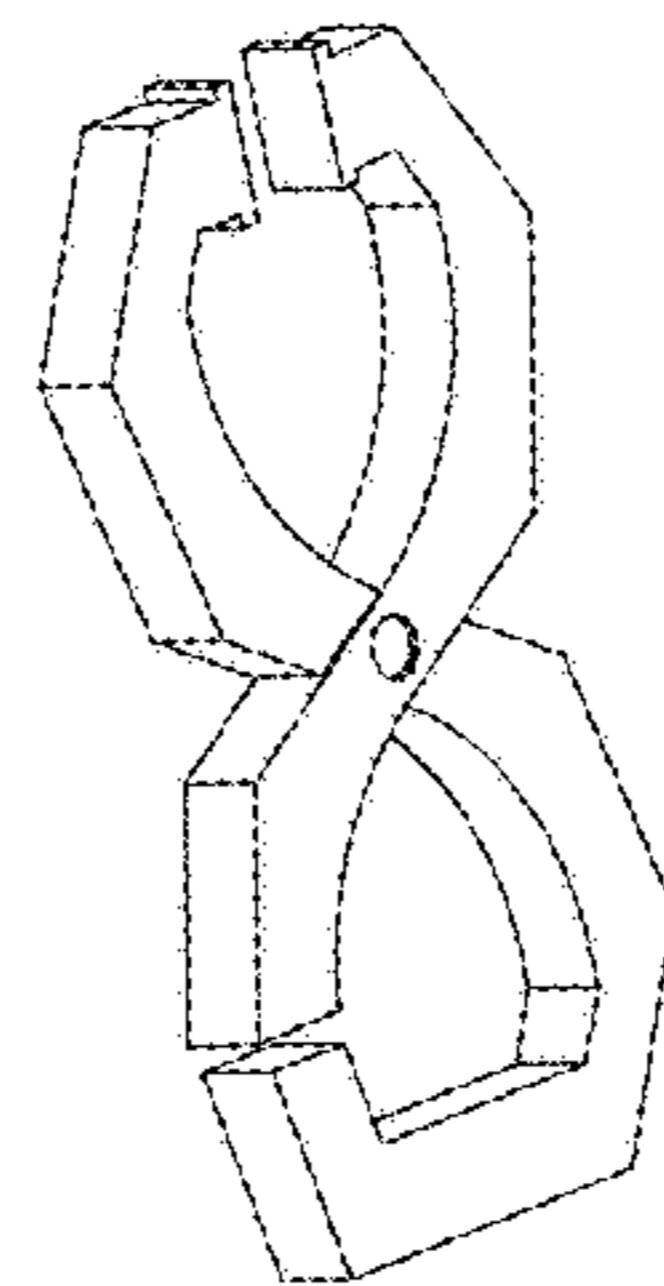


FIG. 2

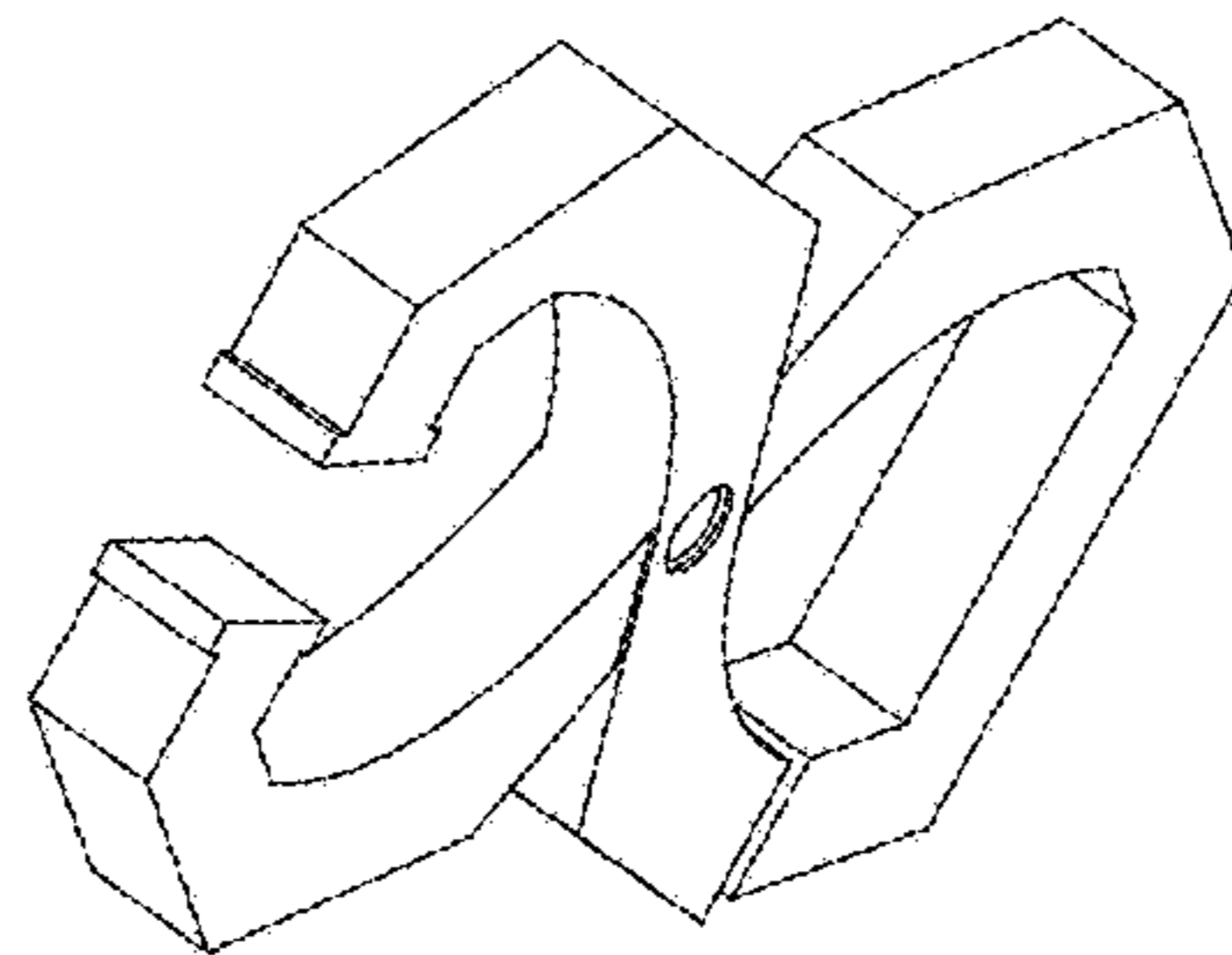


FIG. 3

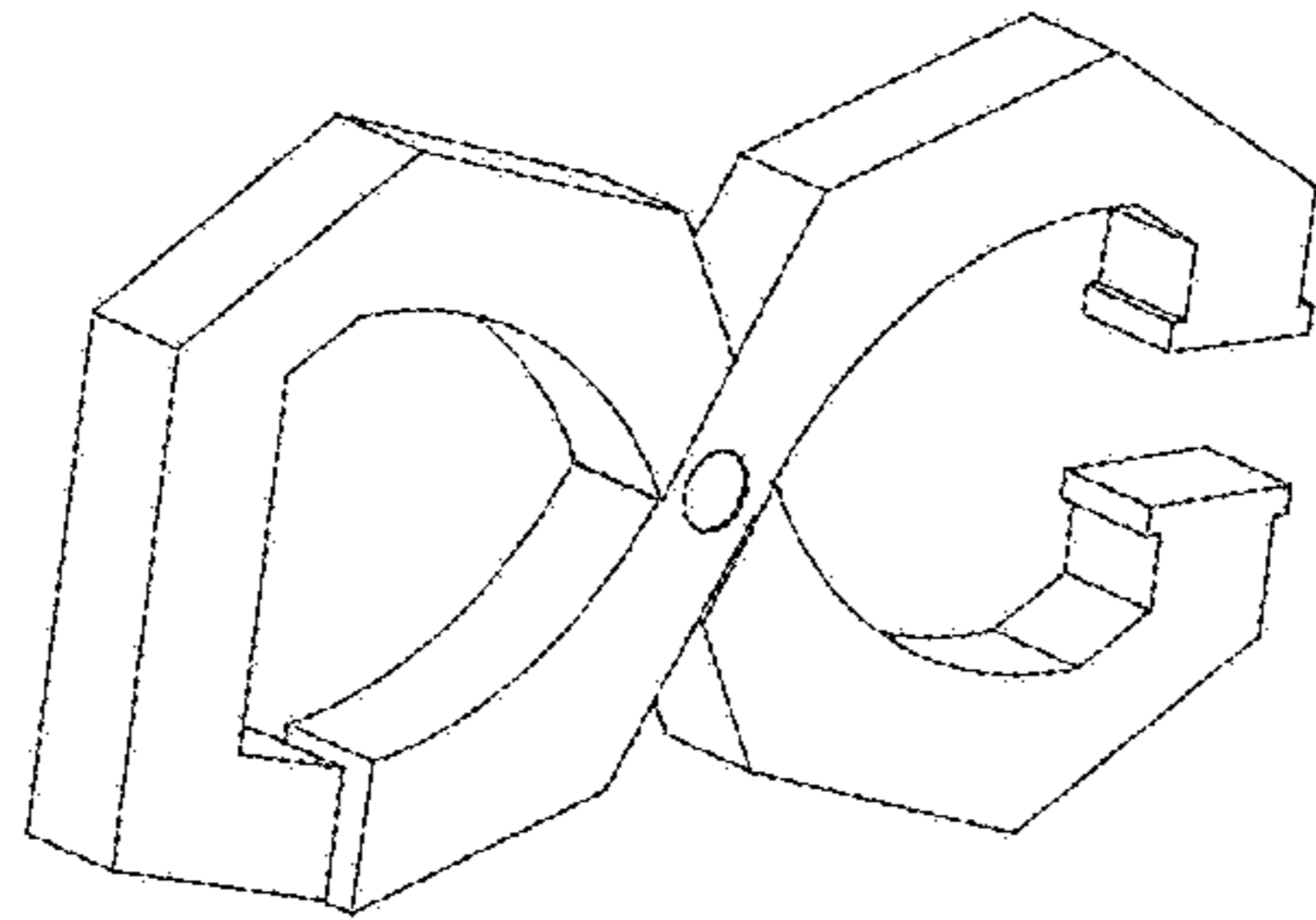


FIG. 4

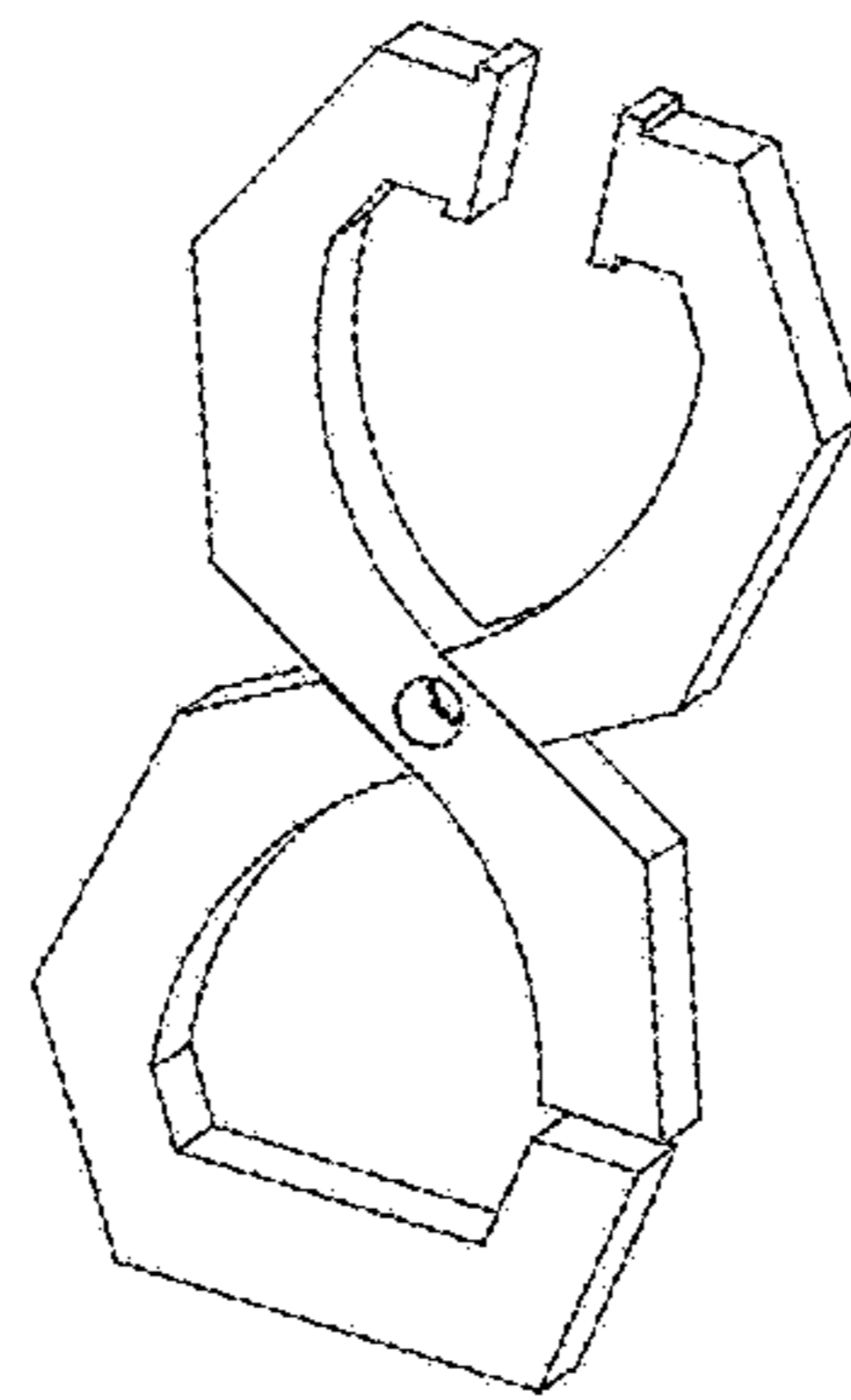


FIG. 5

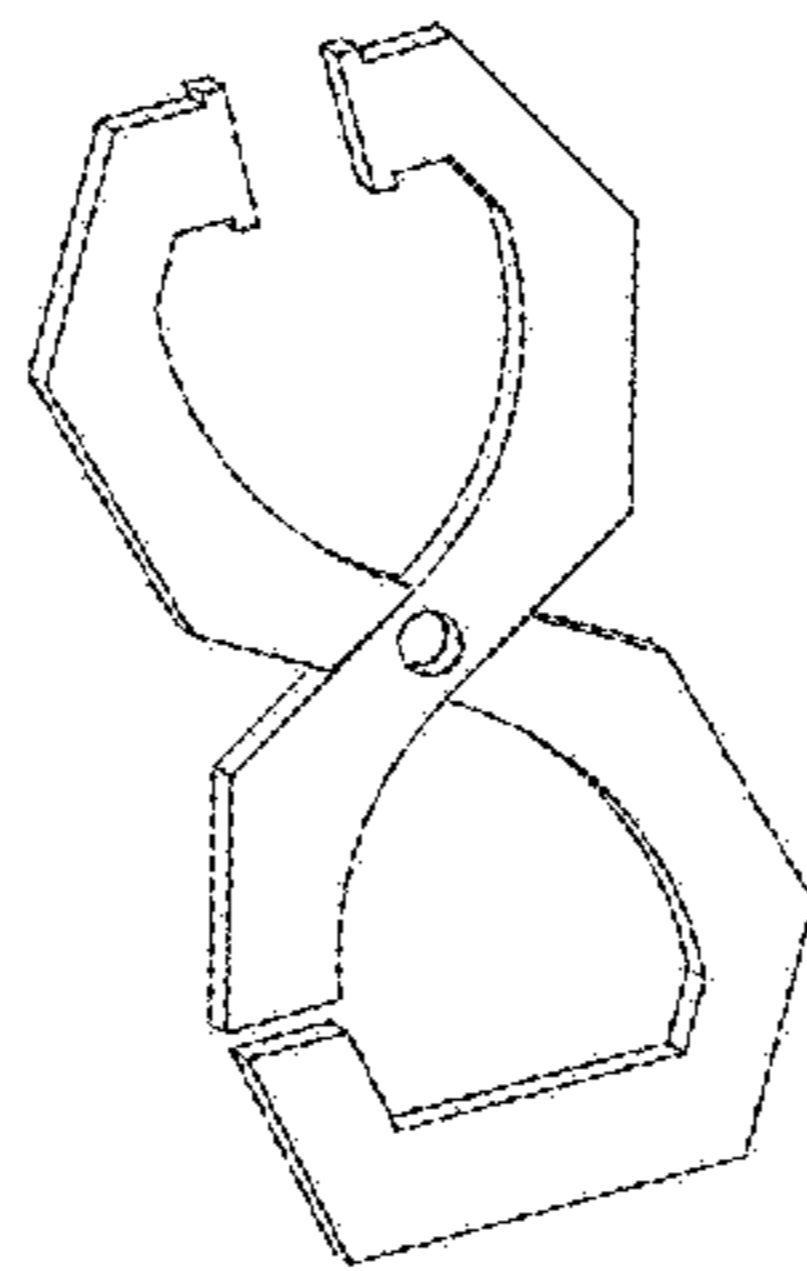


FIG. 6

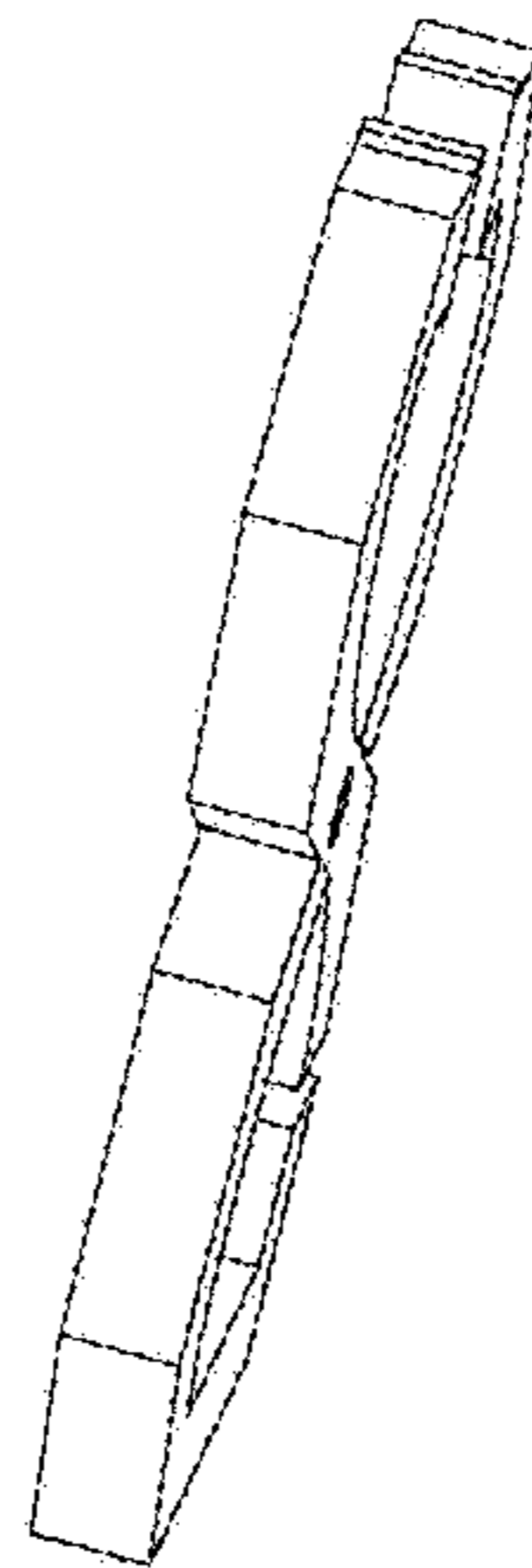


FIG. 7



FIG. 8

