



US00D863117S

(12) **United States Design Patent** (10) **Patent No.:** **US D863,117 S**
Rossiter (45) **Date of Patent:** **** Oct. 15, 2019**

(54) **BICYCLE RACK**

(71) Applicant: **PFL Spaces Pty Ltd**, Brisbane, Queensland (AU)

(72) Inventor: **Mark Anthony Rossiter**, Brisbane (AU)

(73) Assignee: **PFL Spaces Pty Ltd**, Brisbane, Queensland (AU)

(**) Term: **15 Years**

(21) Appl. No.: **29/643,720**

(22) Filed: **Apr. 11, 2018**

D502,127 S * 2/2005 Pappas B62H 3/08
D12/115

7,055,700 B2 * 6/2006 West B62H 3/04
211/19

D529,433 S * 10/2006 Kane D12/408

D602,403 S * 10/2009 Shaha D12/115

D604,206 S * 11/2009 Selzer D12/115

D605,092 S * 12/2009 Van Buuren D12/115

D617,238 S * 6/2010 Ohlman D12/115

D719,491 S * 12/2014 Rayl D12/115

D761,701 S * 7/2016 Jobe D12/115

D778,788 S * 2/2017 Tsai D12/115

D812,546 S * 3/2018 Johnson D12/406

D820,168 S * 6/2018 Peruzzo D12/115

2004/0251219 A1 * 12/2004 Zimmerman B62H 3/06
211/17

2006/0266717 A1 * 11/2006 Tsai B62H 3/00
211/17

(30) **Foreign Application Priority Data**

Oct. 11, 2017 (AU) 201716216

(51) **LOC (12) Cl.** **08-10**

(52) **U.S. Cl.**
USPC **D12/115**

(58) **Field of Classification Search**
USPC D12/115, 120, 402, 406, 407
CPC ... B62H 3/00; B62H 3/04; B62H 3/08; B62H
3/10; B60R 9/06; B60R 9/10
See application file for complete search history.

* cited by examiner

Primary Examiner — Michelle E. Wilson
Assistant Examiner — Clese Moore, Jr.
(74) *Attorney, Agent, or Firm* — Michael Best & Friedrich LLP

(56) **References Cited**

U.S. PATENT DOCUMENTS

D263,945 S * 4/1982 Voegeli D12/115

D264,325 S * 5/1982 Griswold D12/115

D409,134 S * 5/1999 Will D12/407

D430,532 S * 9/2000 Frazier D12/407

D456,316 S * 4/2002 Will D12/115

D497,873 S * 11/2004 Graber B62H 3/00
D12/407

(57) **CLAIM**

I claim the ornamental design for a bicycle rack, as shown and described.

DESCRIPTION

FIG. 1 is a perspective view of a bicycle rack showing my new design.

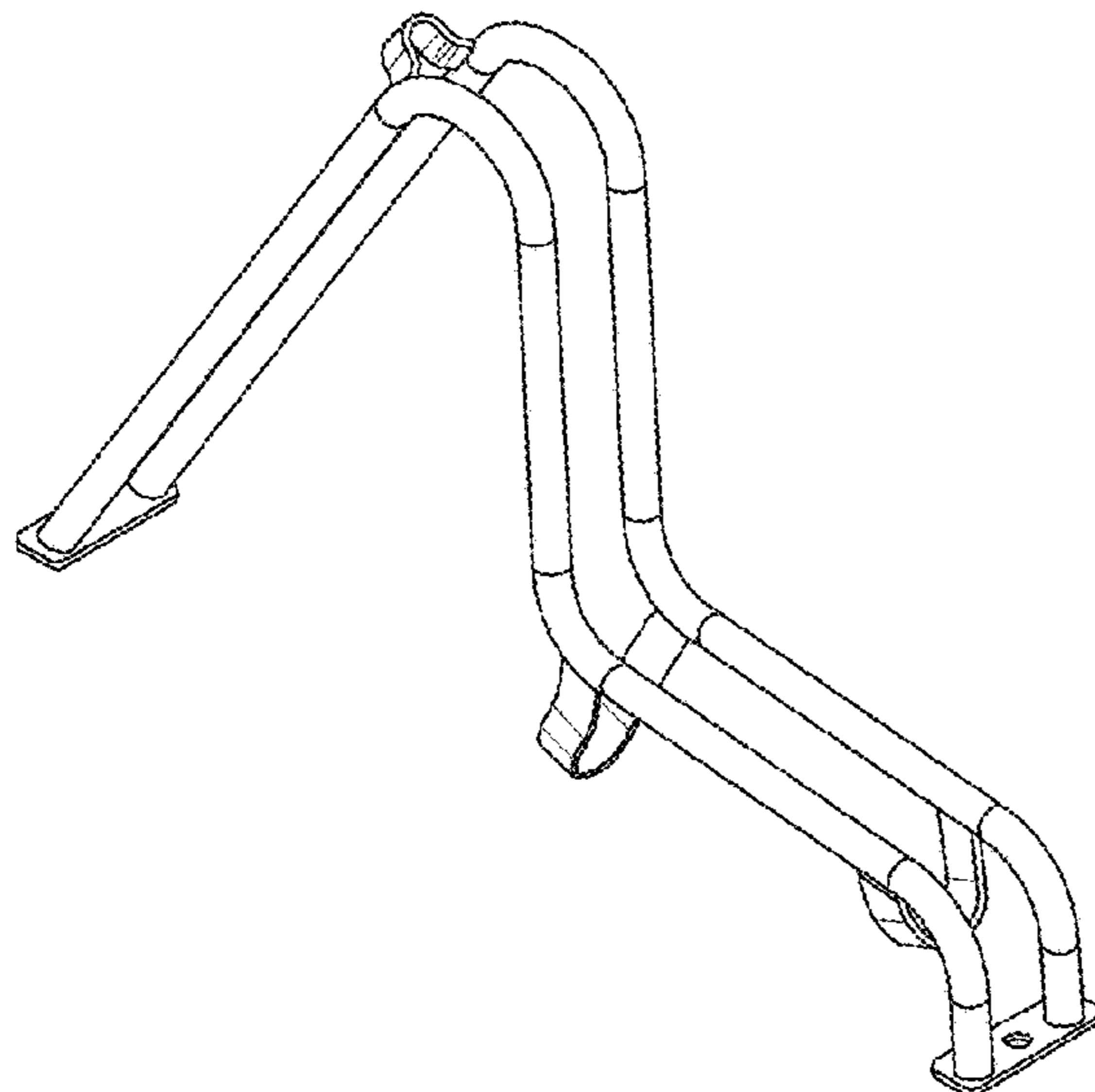
FIG. 2 is a side view of the bicycle rack.

FIG. 3 is an end view of the bicycle rack.

FIG. 4 is an enlarged detail of the circumscribed area in FIG. 3; and,

FIG. 5 is an opposite side view of the bicycle rack in use.

1 Claim, 5 Drawing Sheets



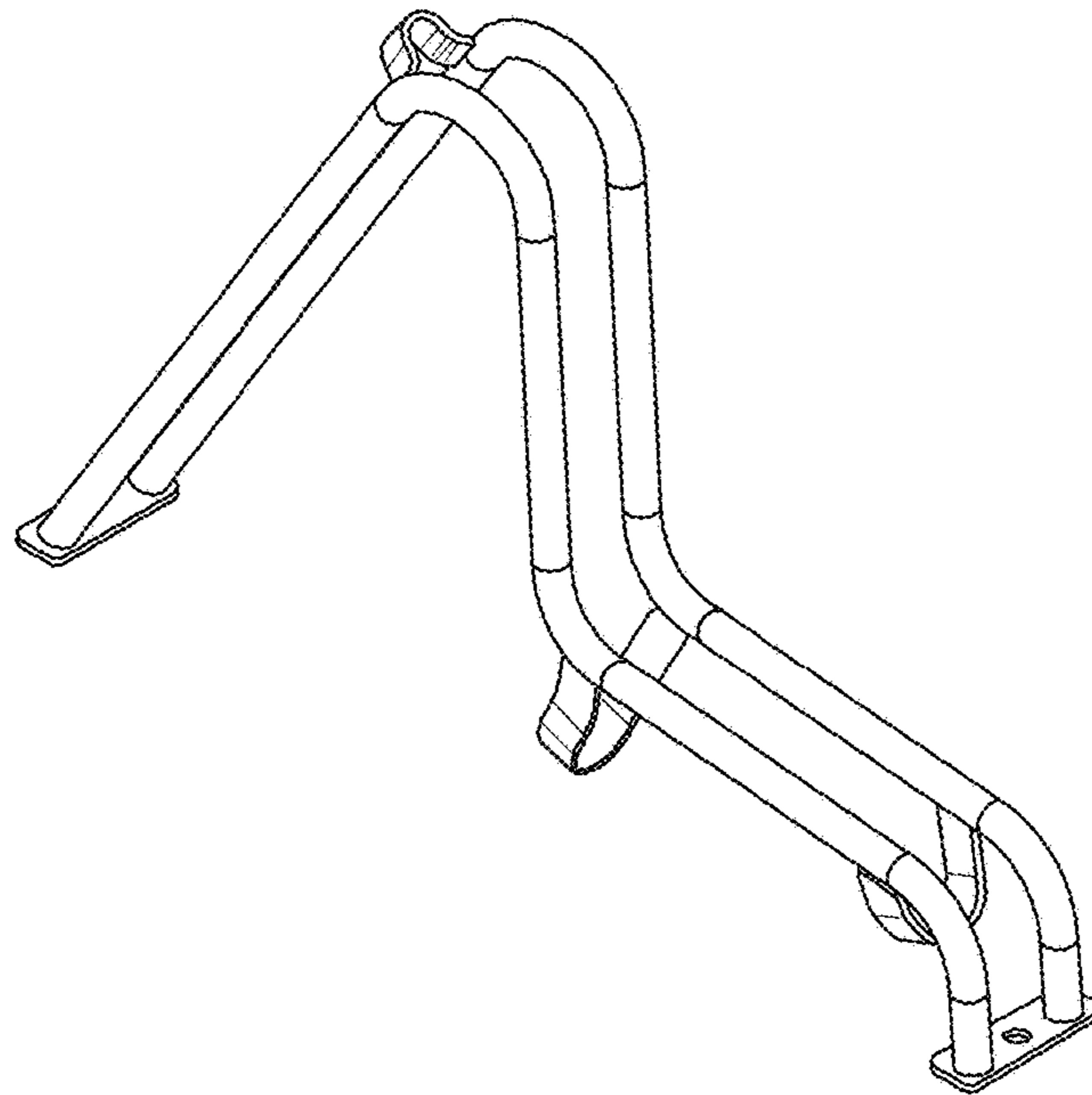


FIG. 1

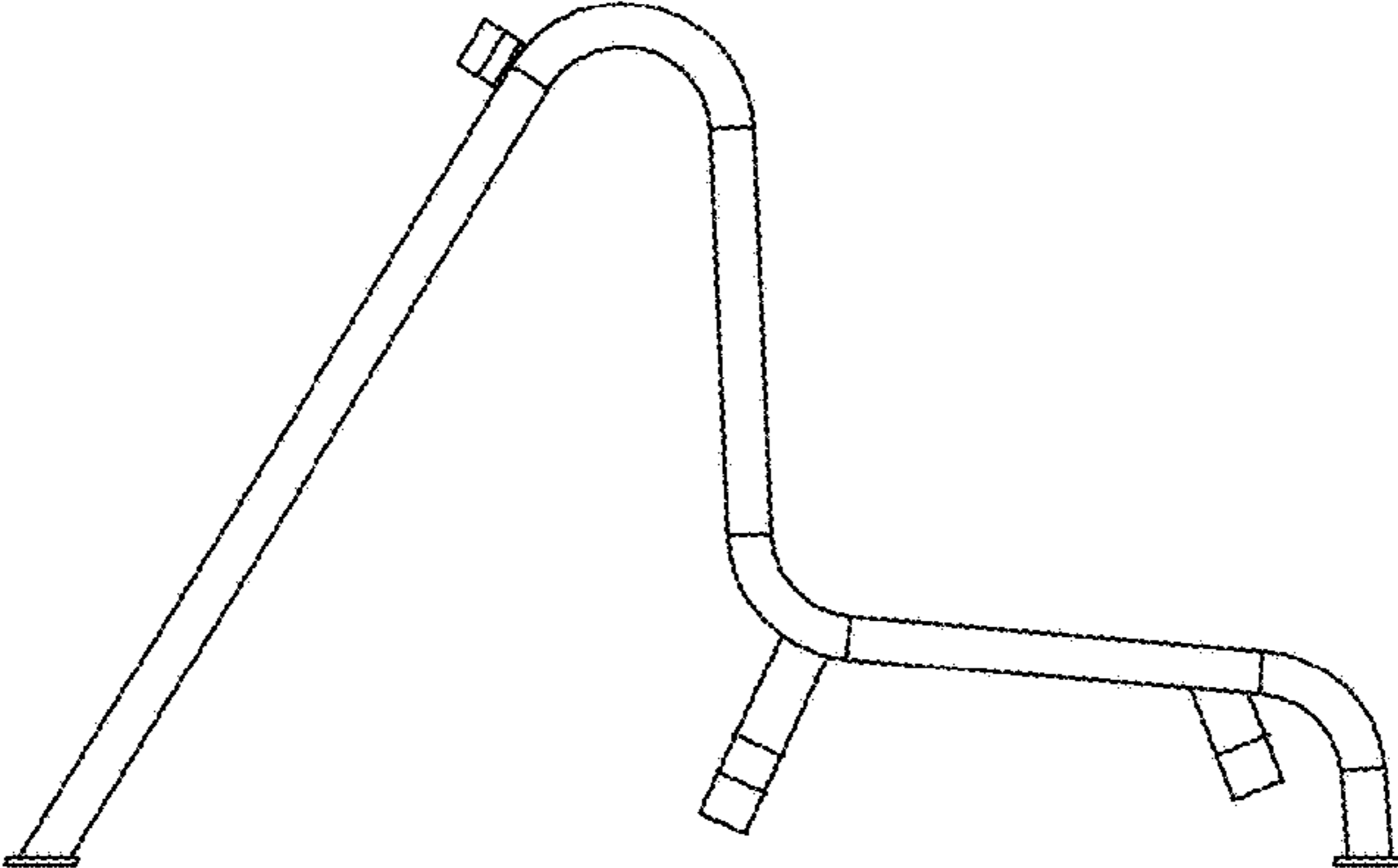


FIG. 2

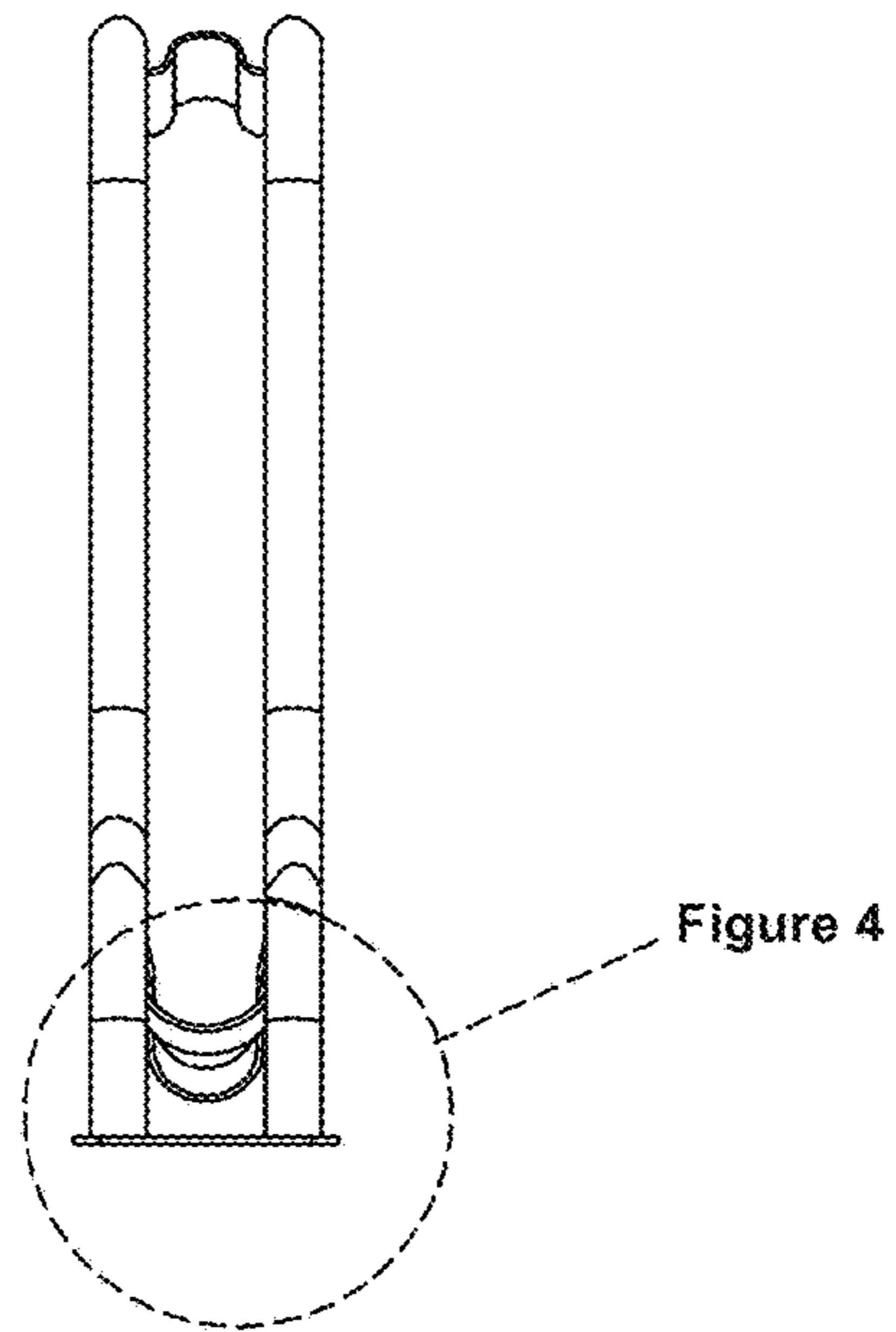


FIG. 3

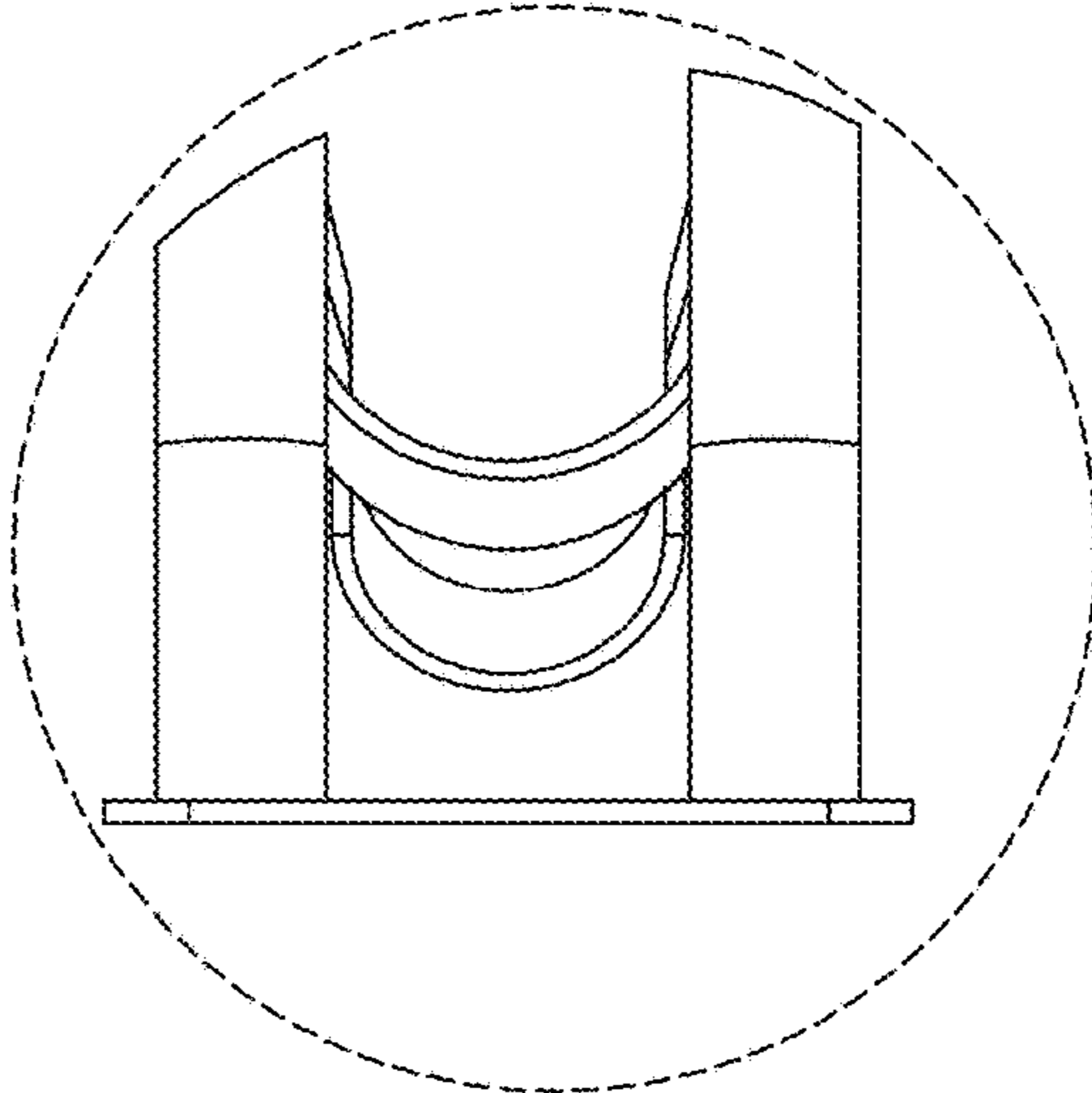


FIG. 4

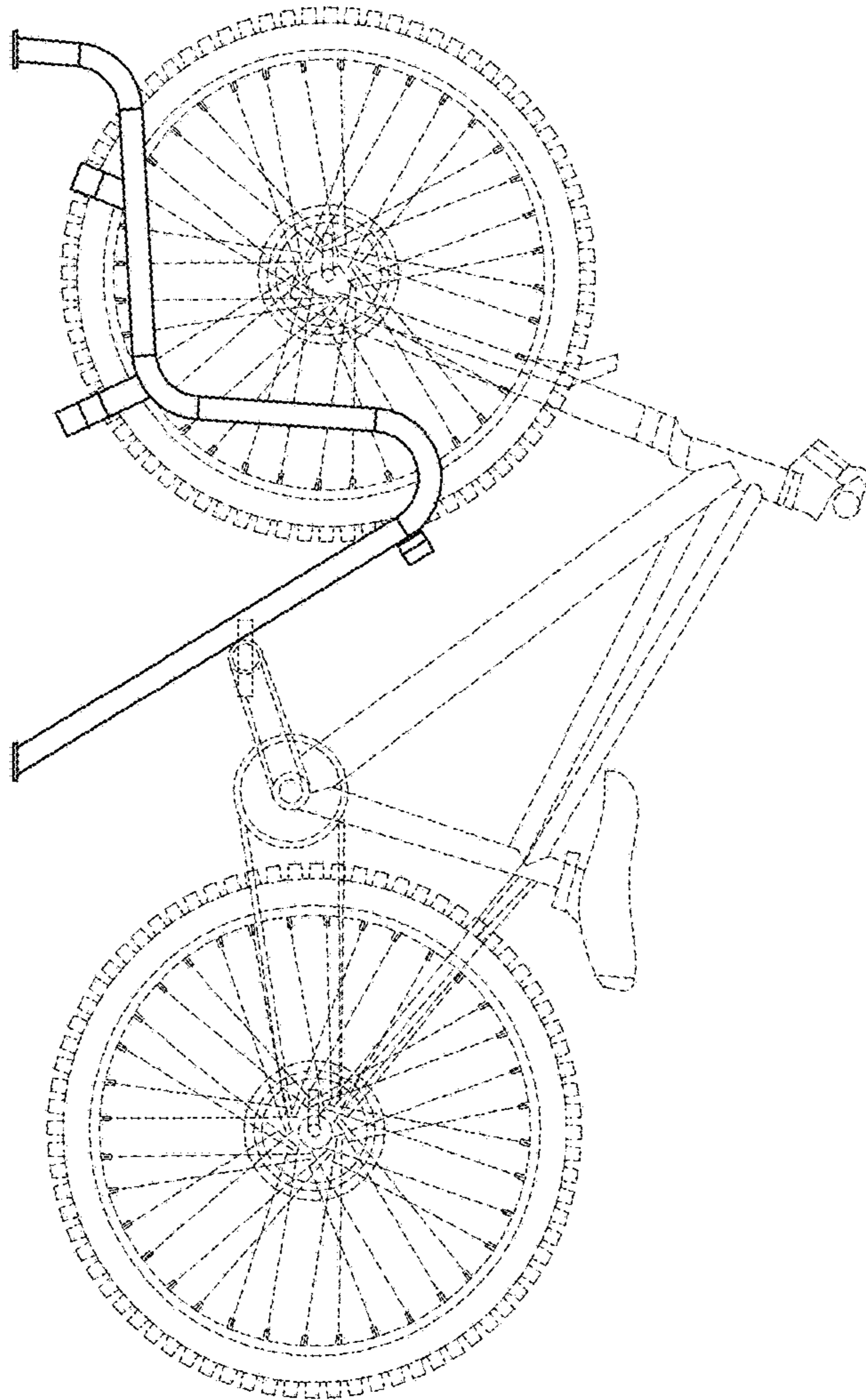


FIG. 5