

US00D863115S

(12) **United States Design Patent** (10) **Patent No.:** **US D863,115 S**
Olson et al. (45) **Date of Patent:** **** *Oct. 15, 2019**

(54) **DOG CARRIER FOR USE WITH BICYCLE**

OTHER PUBLICATIONS

(71) Applicants: **Blake Andrew Olson**, Arvada, CO (US); **Chris Greiner**, Hermosa Beach, CA (US)

Walky Dog Plus, <URL:https://www.amazon.com/gp/product/B003OYIAW4?pldnSite=1>, Retrieved Aug. 31, 2017.

(Continued)

(72) Inventors: **Blake Andrew Olson**, Arvada, CO (US); **Chris Greiner**, Hermosa Beach, CA (US)

Primary Examiner — George D Kirschbaum

Assistant Examiner — Clese Moore, Jr.

(74) *Attorney, Agent, or Firm* — Strategic Patents, LLC; Bret Adams

(*) Notice: This patent is subject to a terminal disclaimer.

(**) Term: **15 Years**

(57) **CLAIM**

We claim the ornamental design for a dog carrier for use with bicycle, as shown and described.

(21) Appl. No.: **29/615,925**

DESCRIPTION

(22) Filed: **Aug. 31, 2017**

(51) **LOC (12) Cl.** **12-11**

(52) **U.S. Cl.**

USPC **D12/114; D30/109**

(58) **Field of Classification Search**

USPC D12/114, 111, 406, 407, 408, 410; D30/108, 109, 119; D3/304, 309

CPC B62J 9/003; B62J 9/00; B62J 9/005; B62J 7/06; B62J 7/00

See application file for complete search history.

FIG. 1 is a perspective view of the dog carrier for use with bicycle in accordance with the present design.

FIG. 2 is a front view of the dog carrier for use with bicycle in accordance with the present design.

FIG. 3 is a rear view of the dog carrier for use with bicycle in accordance with the present design.

FIG. 4 is a right side view of the dog carrier for use with bicycle in accordance with the present design.

FIG. 5 is a left side view of the dog carrier for use with bicycle in accordance with the present design.

FIG. 6 is a top view of the dog carrier for use with bicycle in accordance with the present design.

FIG. 7 is a bottom view of the dog carrier for use with bicycle in accordance with the present design.

FIG. 8 is partially exploded bottom perspective view of the dog carrier for use with bicycle depicting the bottom surface of the carrier in accordance with the present design; and,

FIG. 9 is an environmental view of the dog carrier for use with bicycle when used with a bicycle in accordance with the present design.

The broken lines illustrate portions of the dog carrier for use with bicycle that form no part of the ornamental design.

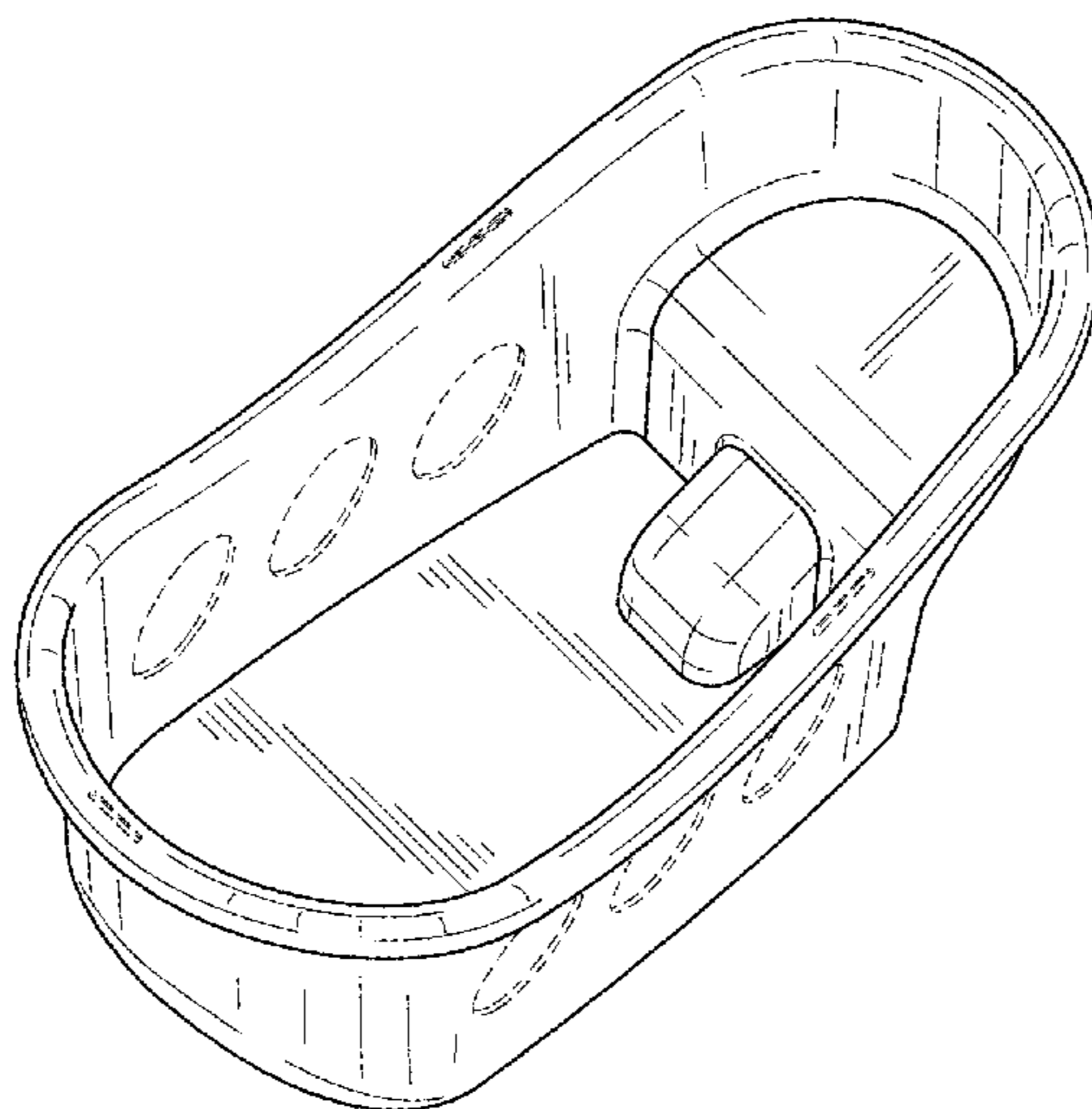
(56) **References Cited**

U.S. PATENT DOCUMENTS

3,080,100	A *	3/1963	Glenny	B62J 9/003
					224/421
3,613,970	A *	10/1971	Humlong	B62J 9/003
					224/420
3,995,803	A *	12/1976	Uitz	B62J 7/06
					224/417
4,134,364	A	1/1979	Boncela		
4,190,218	A	2/1980	Cousens, Jr.		
4,282,993	A *	8/1981	Humlong	B62J 9/003
					224/425

(Continued)

1 Claim, 6 Drawing Sheets



(56)

References Cited

U.S. PATENT DOCUMENTS

4,854,269 A 8/1989 Arntzen
 D340,431 S * 10/1993 Liu D11/156
 5,577,646 A * 11/1996 White B62J 9/001
 119/453
 5,832,874 A * 11/1998 Ravin A01K 1/0245
 119/496
 6,179,183 B1 * 1/2001 Kloster B62J 11/00
 119/496
 6,311,997 B1 11/2001 Lepley
 D453,592 S * 2/2002 Ross D30/109
 6,662,751 B1 12/2003 Rutter
 7,017,526 B2 3/2006 Chen
 7,044,541 B1 5/2006 Eissinger et al.
 D564,229 S * 3/2008 Splain D3/304
 D594,812 S * 6/2009 Helgerson D12/407
 8,544,420 B2 10/2013 Leon
 D720,503 S * 12/2014 Lloyd D30/109
 D722,946 S * 2/2015 Armstrong D12/407
 D728,167 S * 4/2015 Renforth D30/109
 D730,779 S * 6/2015 Arbour D12/111
 D742,457 S * 11/2015 Meckler D21/407
 D746,760 S * 1/2016 Arbour D12/407

D762,551 S * 8/2016 Meckler D12/407
 D767,469 S * 9/2016 Liu D12/407
 D775,057 S * 12/2016 Meckler D12/407
 2005/0005876 A1 1/2005 Calvi
 2008/0257276 A1 * 10/2008 White A01K 1/0281
 119/496
 2010/0133309 A1 * 6/2010 Lee B62J 7/04
 224/420
 2012/0118246 A1 5/2012 Leon
 2012/0152993 A1 * 6/2012 Chen B62J 9/00
 224/419
 2016/0244115 A1 * 8/2016 Warren B62J 9/003

OTHER PUBLICATIONS

Springer Dog Exerciser; <URL: <https://www.amazon.com//dp/B0017NM4OE>>, Retrieved Aug. 31, 2017.
 Bike to Leash Dog Bicycle Attachment, <URL: <https://www.amazon.com/dp/B005CS6AX6/>>, Retrieved Aug. 31, 2017.
 Ibert Child Bicycle Safe-T-Seat, <URL: <https://www.amazon.com/dp/B0065UTOWO>>, Retrieved Aug. 31, 2017.
 Buddyrider, <URL: <https://www.buddyrider.ca/>>, Retrieved Aug. 31, 2017.

* cited by examiner

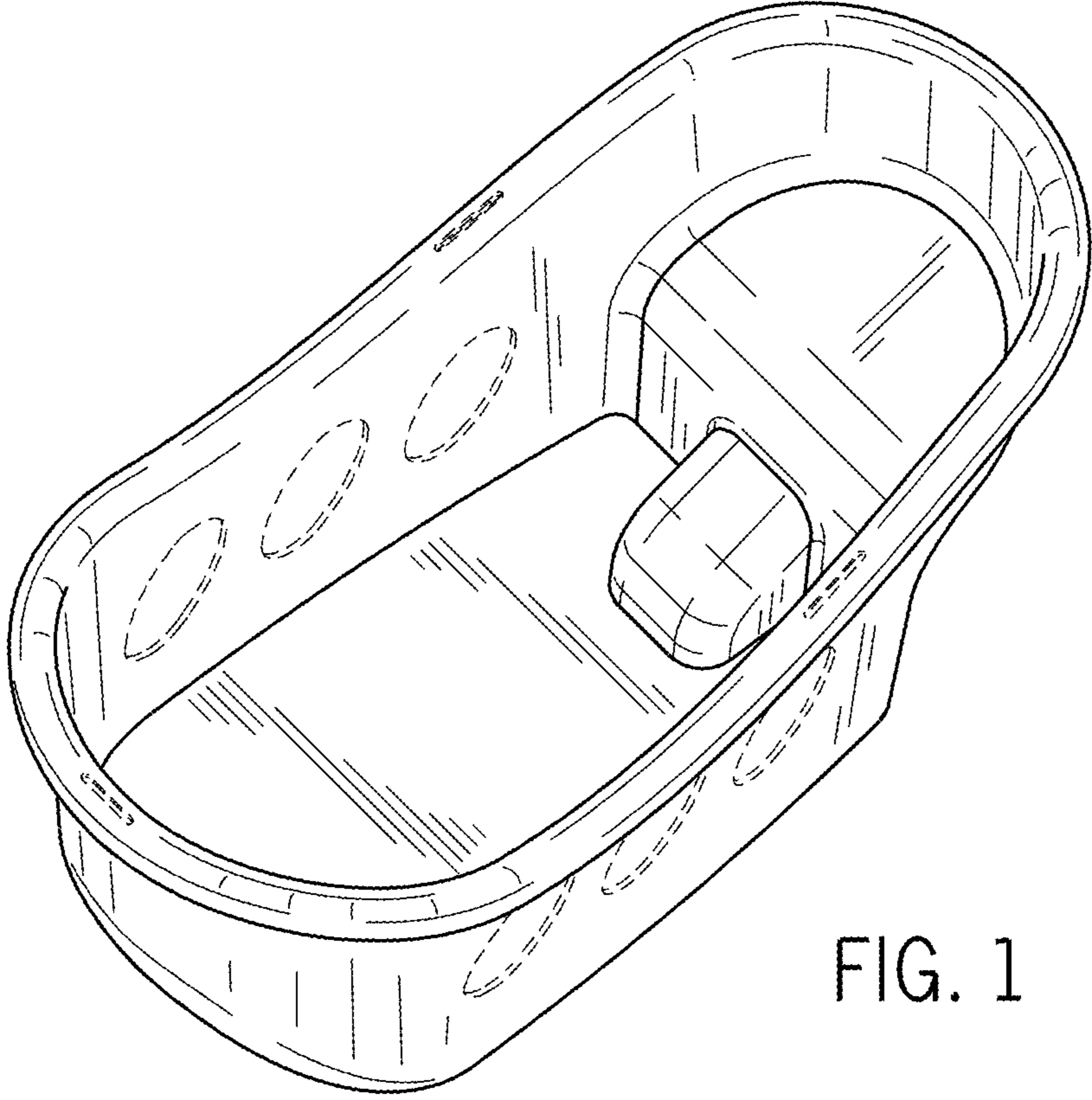


FIG. 1

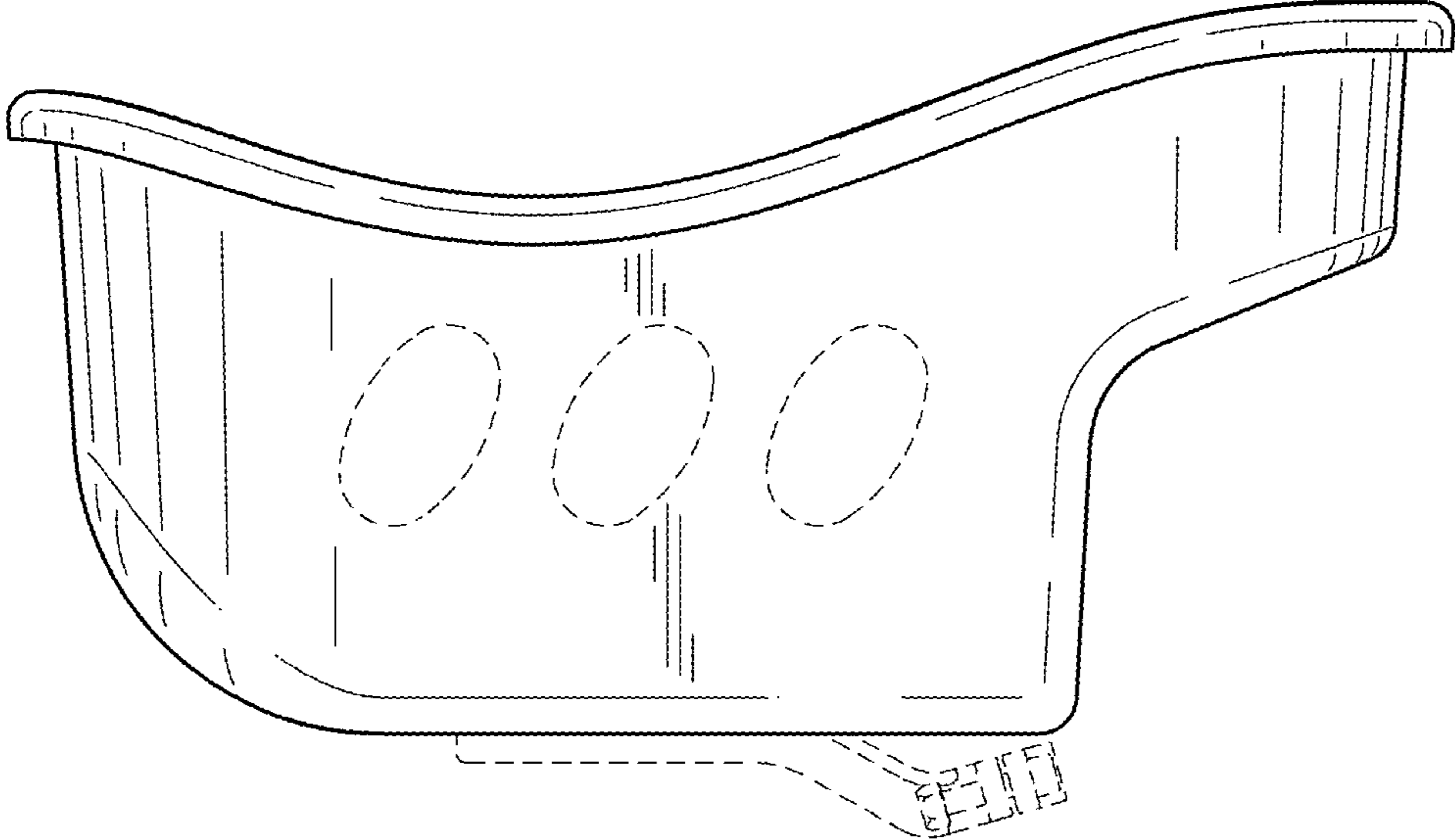


FIG. 2

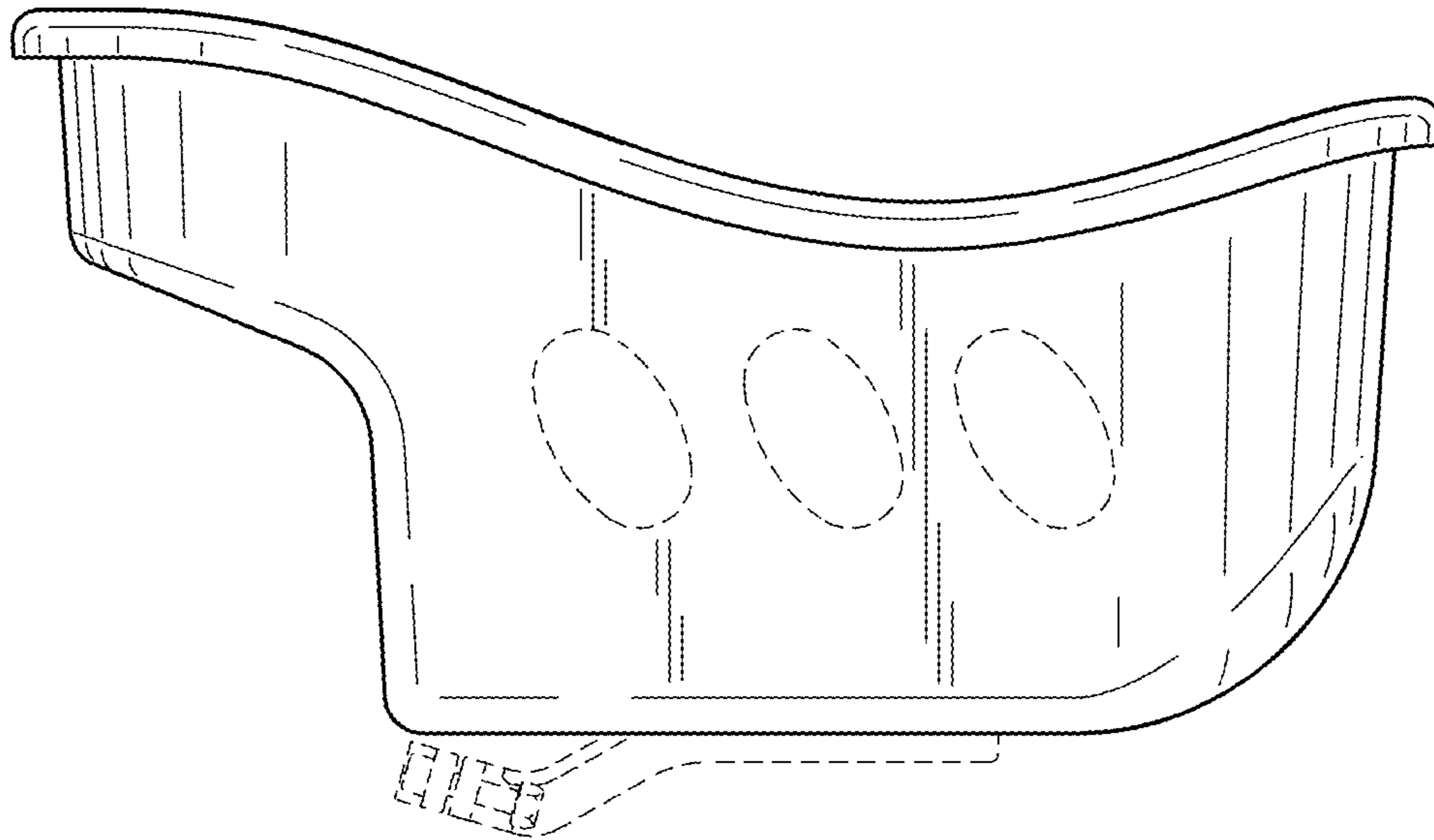


FIG. 3

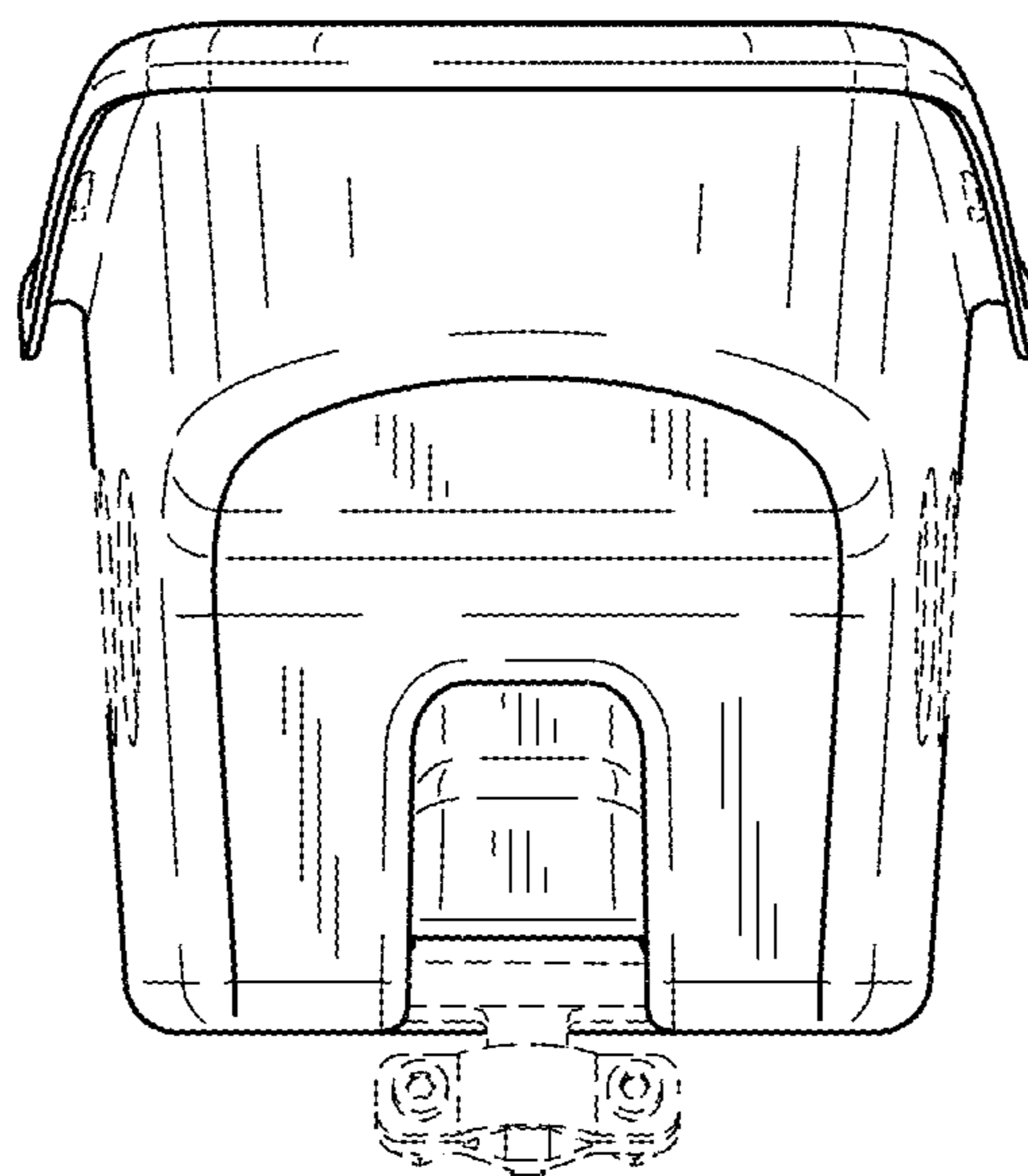


FIG. 4

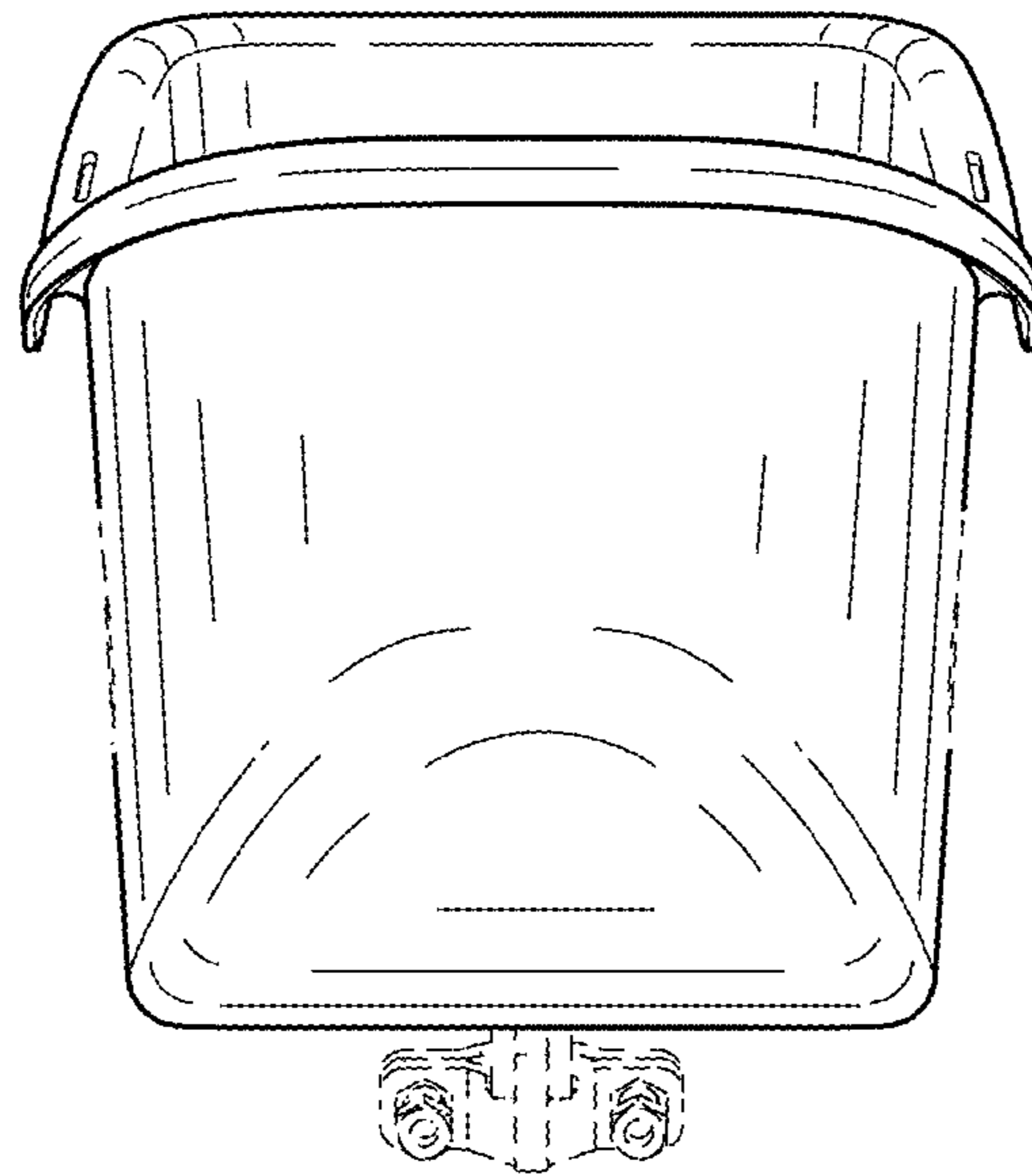


FIG. 5

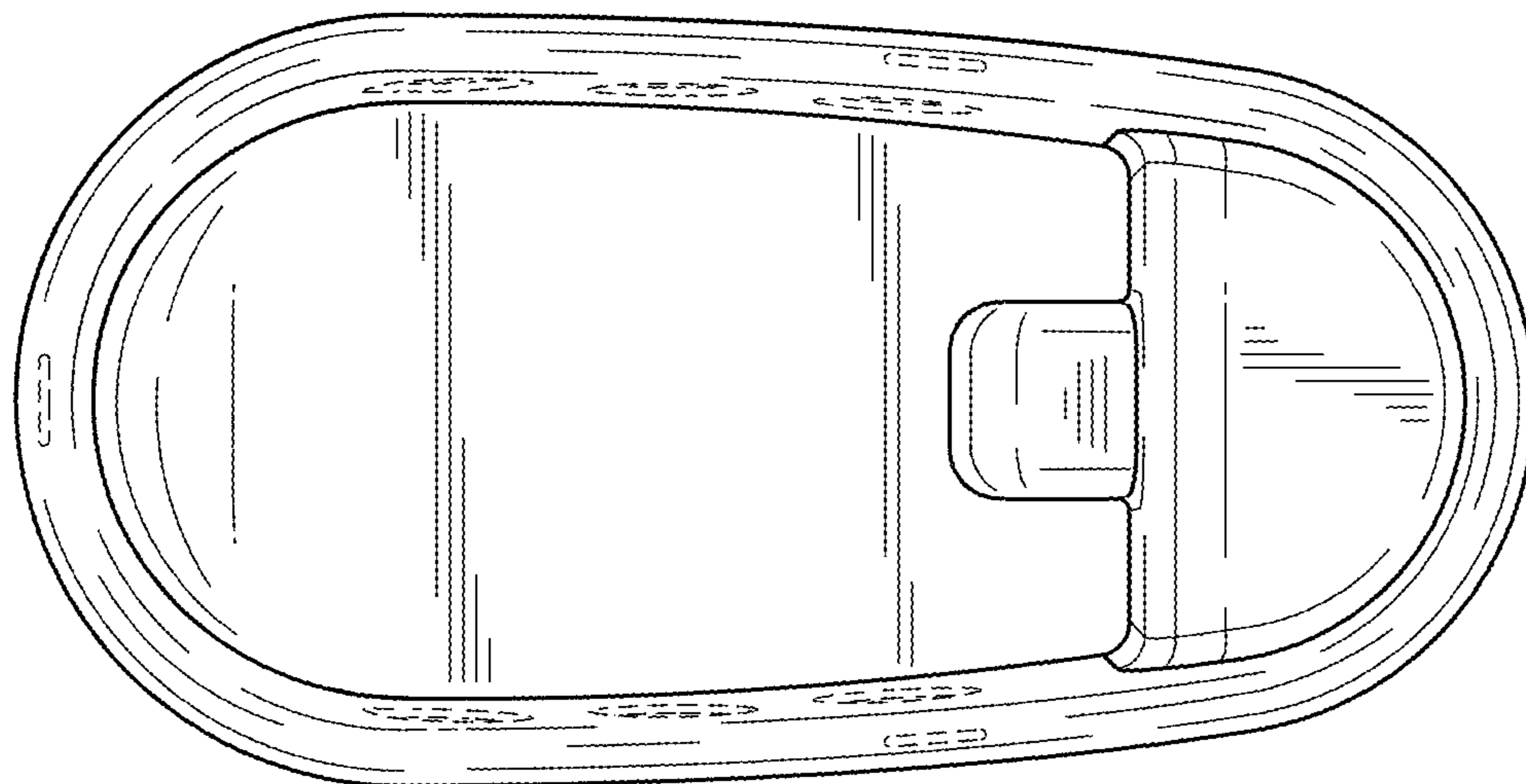


FIG. 6

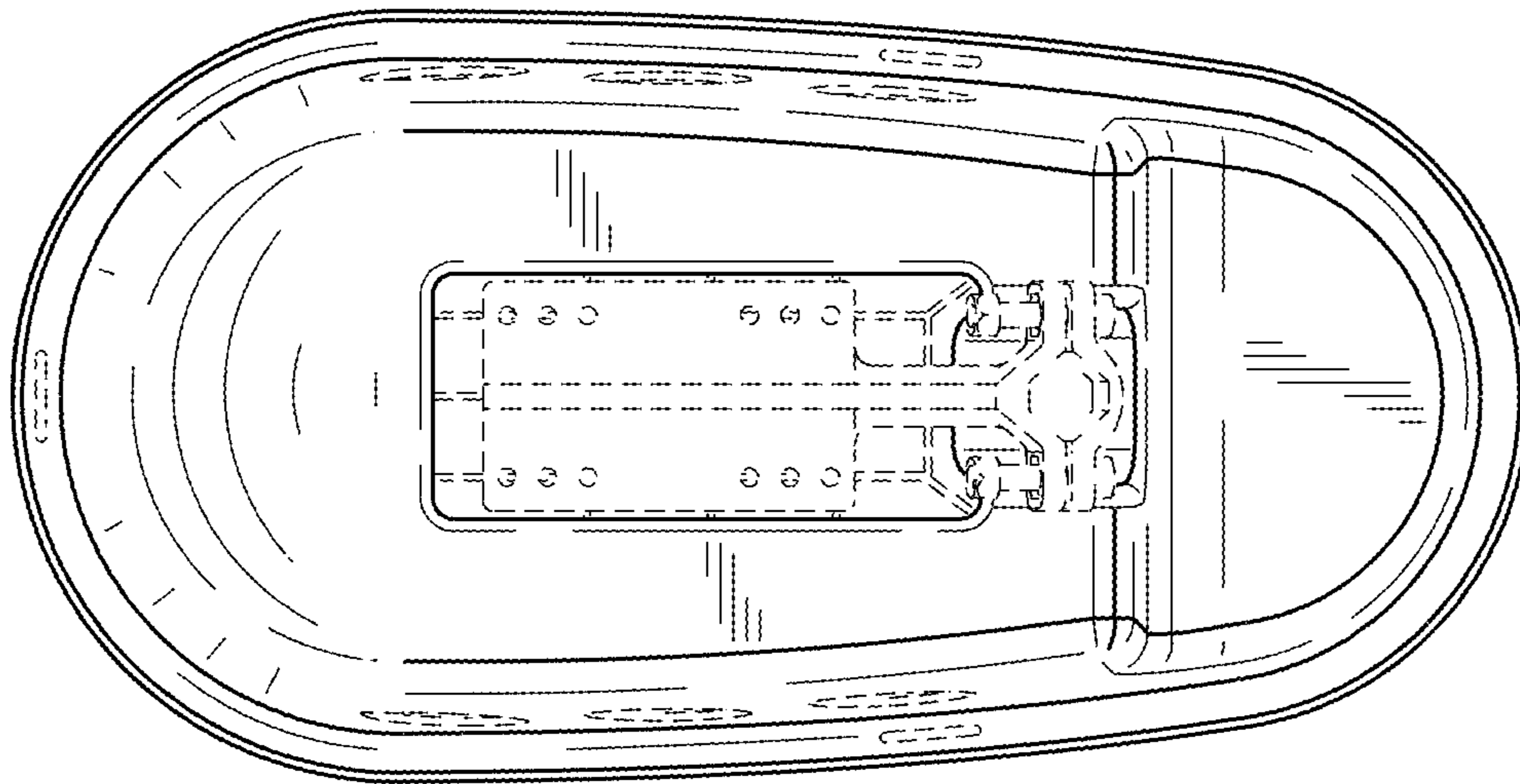


FIG. 7

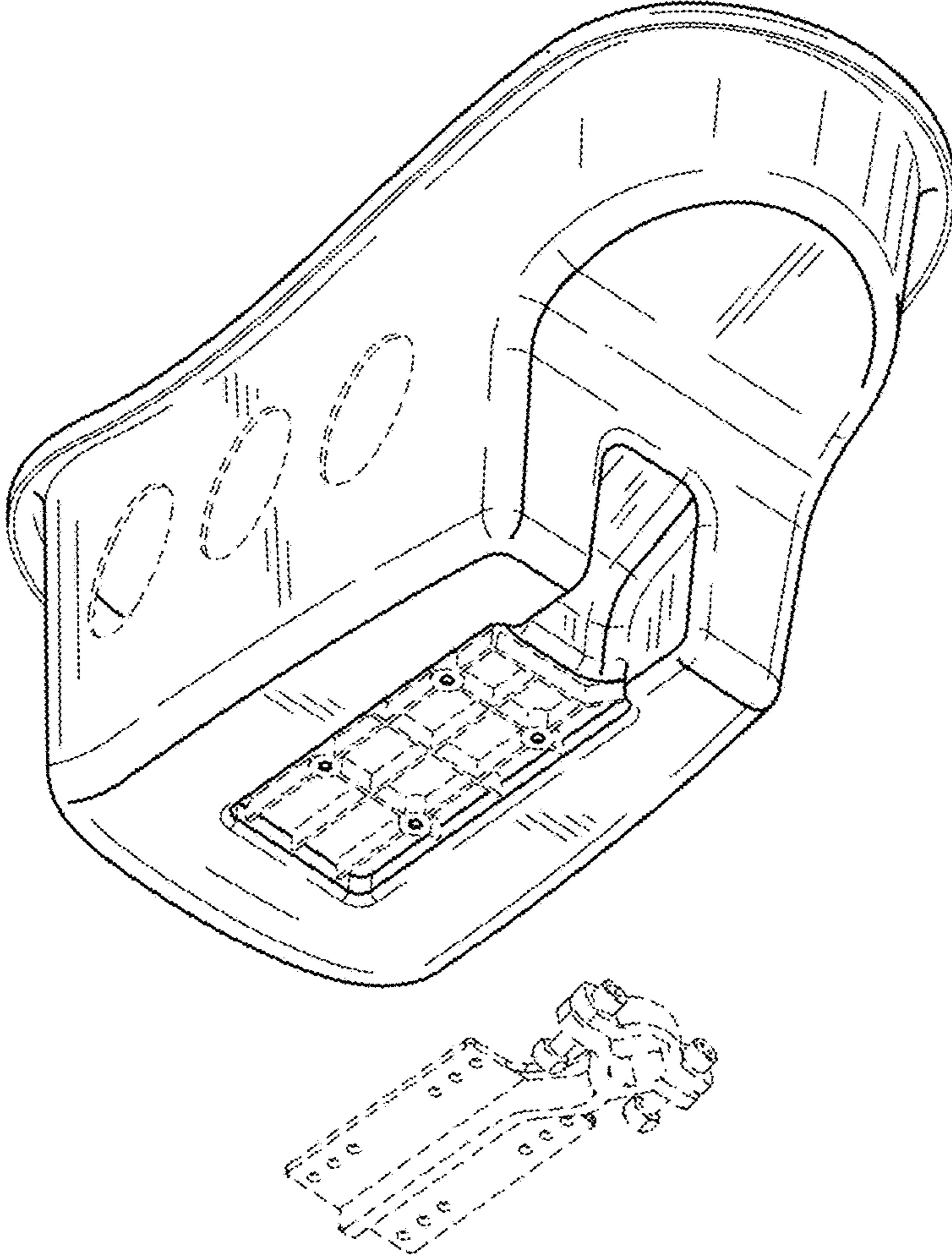


FIG. 8

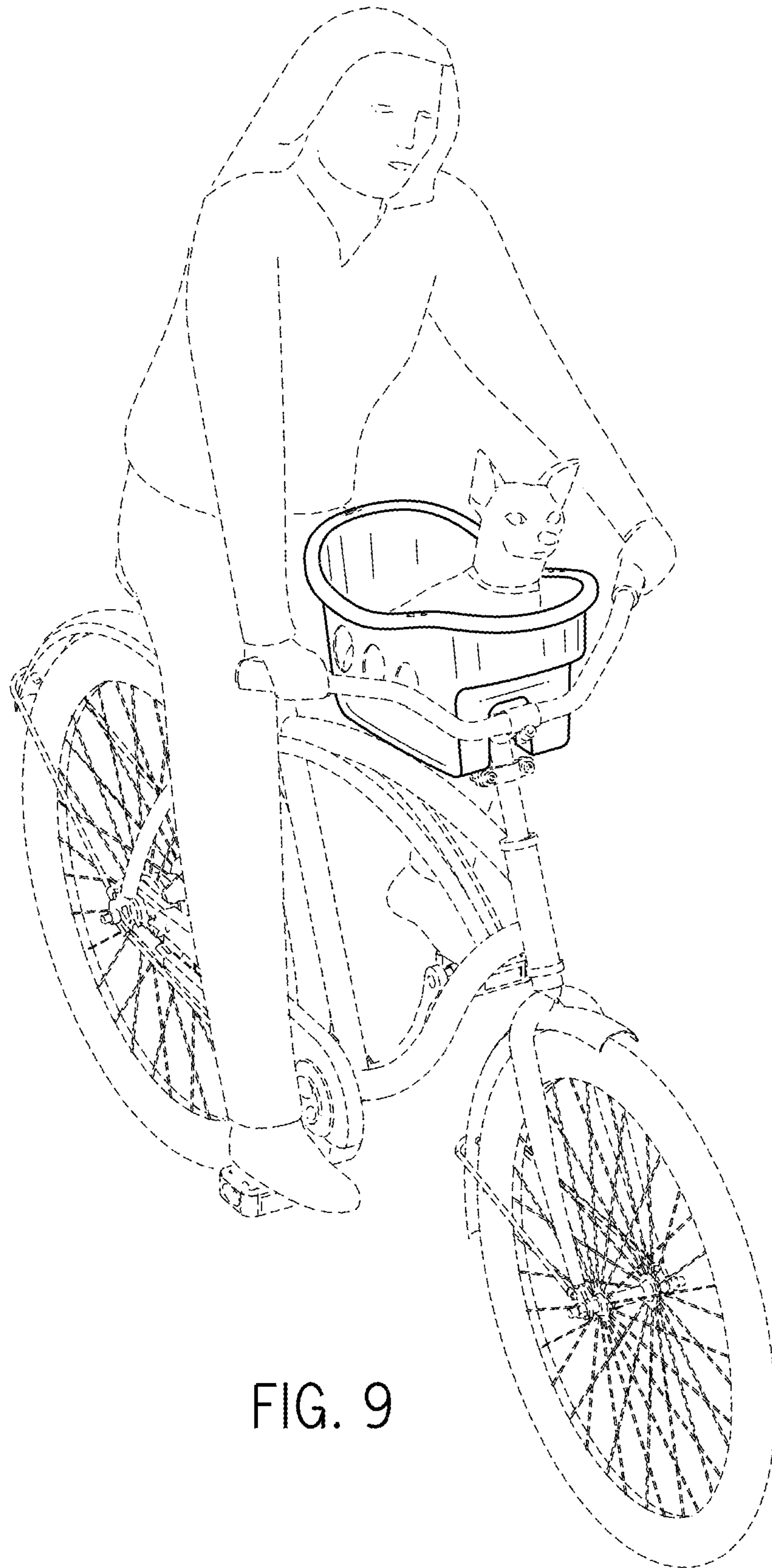


FIG. 9