



US00D863114S

(12) **United States Design Patent**
Hu

(10) **Patent No.: US D863,114 S**

(45) **Date of Patent: ** Oct. 15, 2019**

(54) **BICYCLE**

(71) Applicant: **BEIJING MOBIKE TECHNOLOGY CO., LTD.**, Beijing (CN)

(72) Inventor: **Weiwei Hu**, Beijing (CN)

(73) Assignee: **BEIJING MOBIKE TECHNOLOGY CO., LTD.**, Beijing (CN)

(**) Term: **15 Years**

(21) Appl. No.: **29/640,436**

(22) Filed: **Mar. 14, 2018**

(30) **Foreign Application Priority Data**

Sep. 20, 2017 (CN) 2017 3 0448141

(51) **LOC (12) Cl.** **12-11**

(52) **U.S. Cl.**
USPC **D12/111**

(58) **Field of Classification Search**
USPC D12/111, 117; D21/412, 414, 419,
D21/423-428, 431-435
CPC B62K 3/00; B62K 3/02; B62K 3/06
See application file for complete search history.

(56) **References Cited**

U.S. PATENT DOCUMENTS

D414,721 S * 10/1999 Nakamura D12/110
D465,438 S * 11/2002 Masui D12/111
D574,756 S * 8/2008 Masui D12/111
D594,787 S * 6/2009 Dallaire D12/111
D621,302 S * 8/2010 Tanaka D12/111
D625,228 S * 10/2010 Lockart D12/111

D634,673 S * 3/2011 Lockart D12/111
D730,779 S * 6/2015 Arbour D12/111
D745,836 S * 12/2015 Poster D12/111
D789,836 S * 6/2017 Gouin D12/111
2011/0115193 A1* 5/2011 Giroux B62H 5/006
280/281.1
2013/0255336 A1* 10/2013 Desai E05B 71/00
70/431
2014/0209400 A1* 7/2014 Yao B62M 6/45
180/167

* cited by examiner

Primary Examiner — Darlington Ly

(74) *Attorney, Agent, or Firm* — Alston & Bird LLP

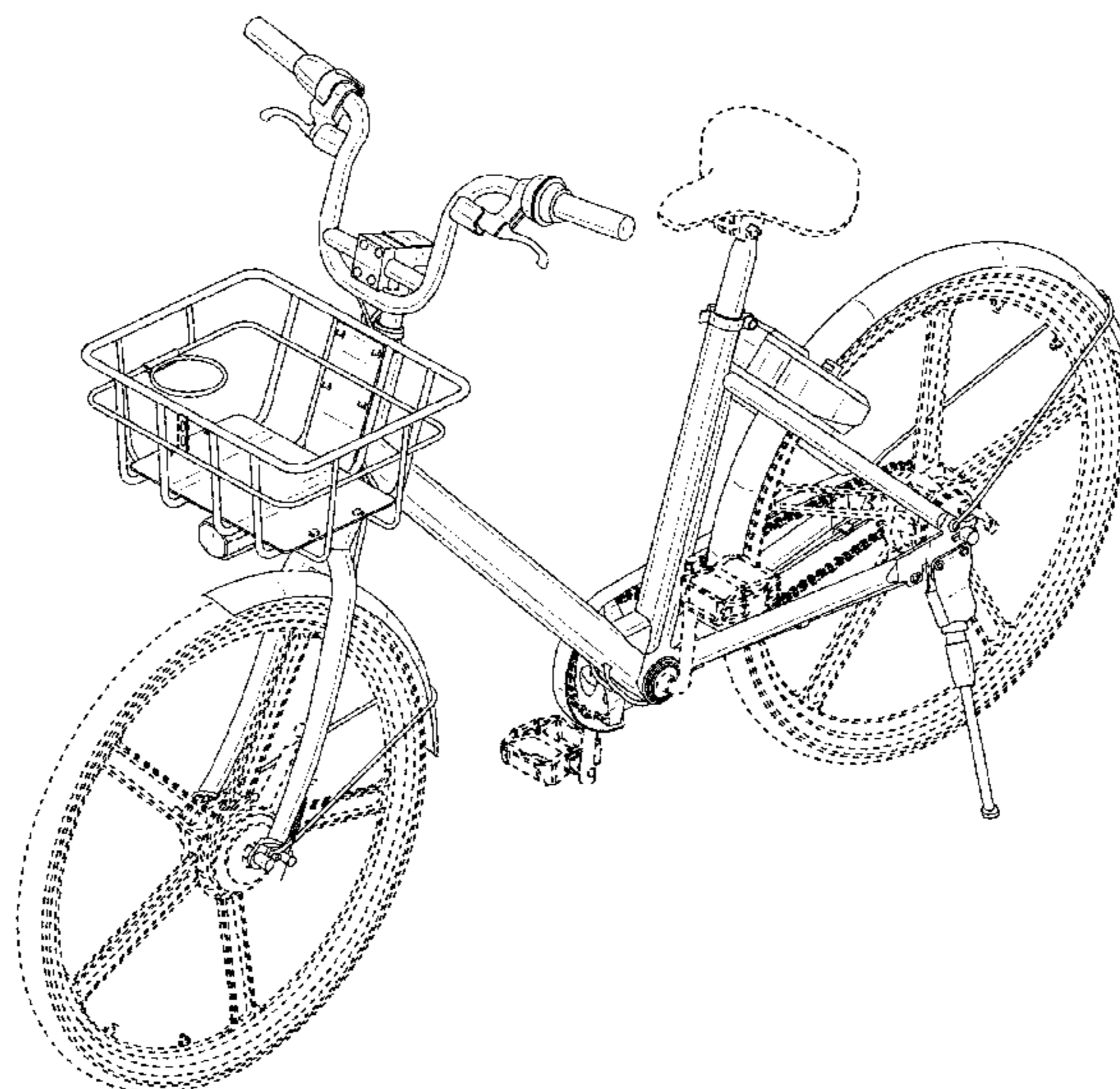
(57) **CLAIM**

The ornamental design for a bicycle, as shown and described.

DESCRIPTION

FIG. 1 is a right side elevation view of bicycle showing my new design;
FIG. 2 is left side elevation view thereof;
FIG. 3 is a rear elevation view thereof;
FIG. 4 is a front elevation view thereof;
FIG. 5 is a top plan view thereof;
FIG. 6 is a bottom plan view thereof;
FIG. 7 is a top, front, and right side perspective view thereof;
FIG. 8 is a top, front, and left side perspective view thereof;
and,
FIG. 9 is a top, rear, and left side perspective view thereof.
The broken lines in the drawings illustrate portions of the bicycle that form no part of the claimed design.

1 Claim, 9 Drawing Sheets



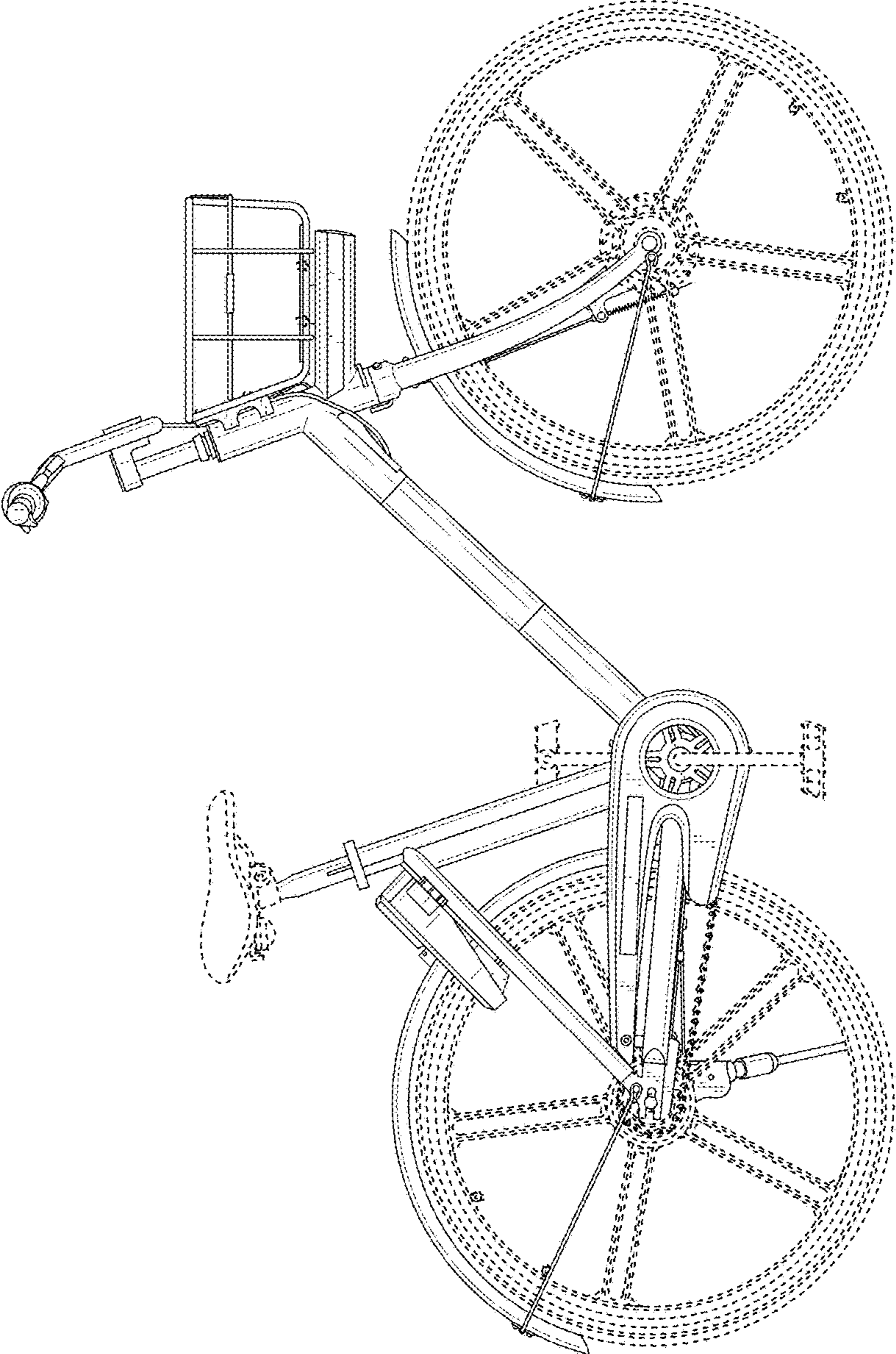


FIG. 1

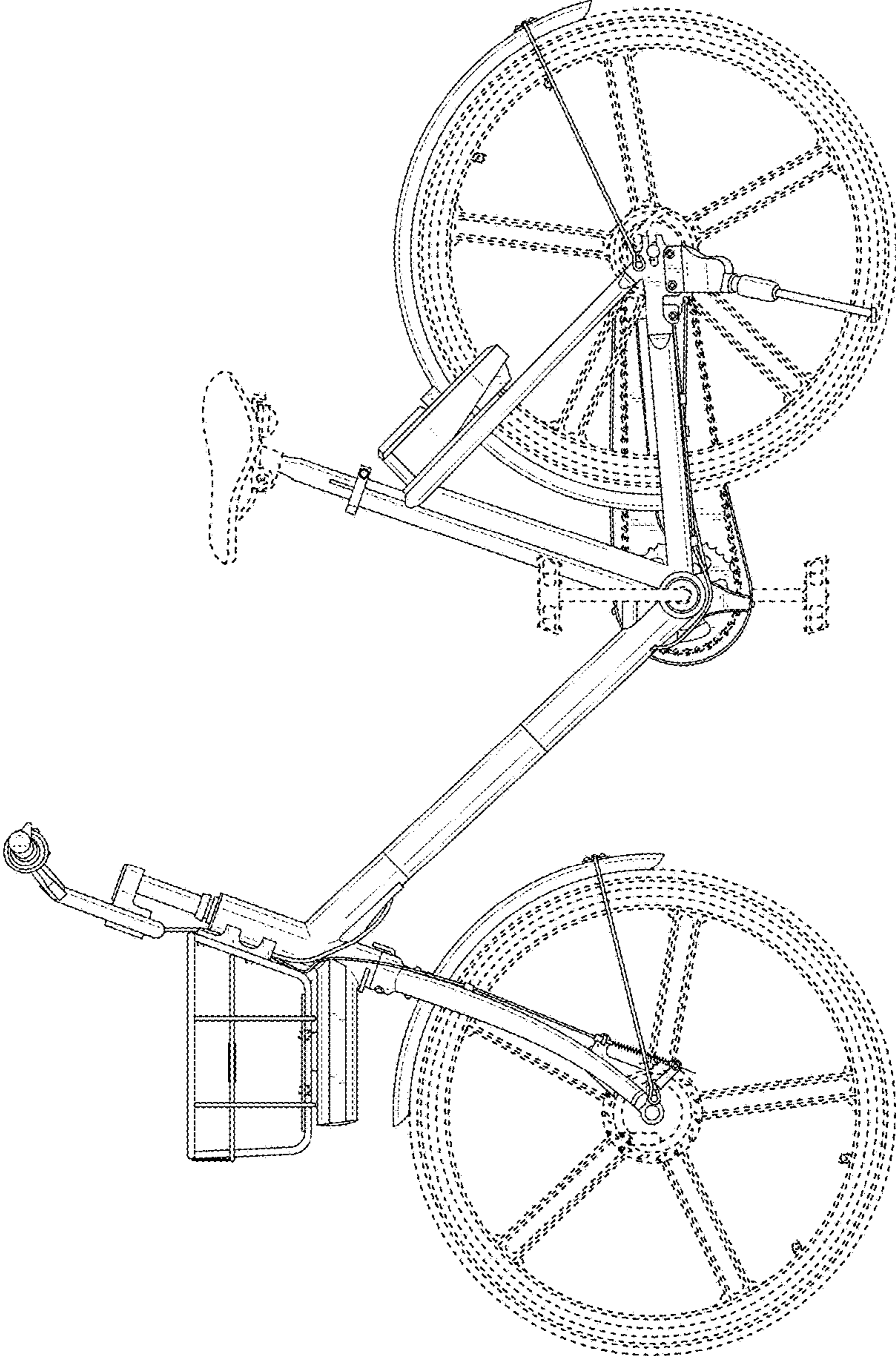


FIG. 2

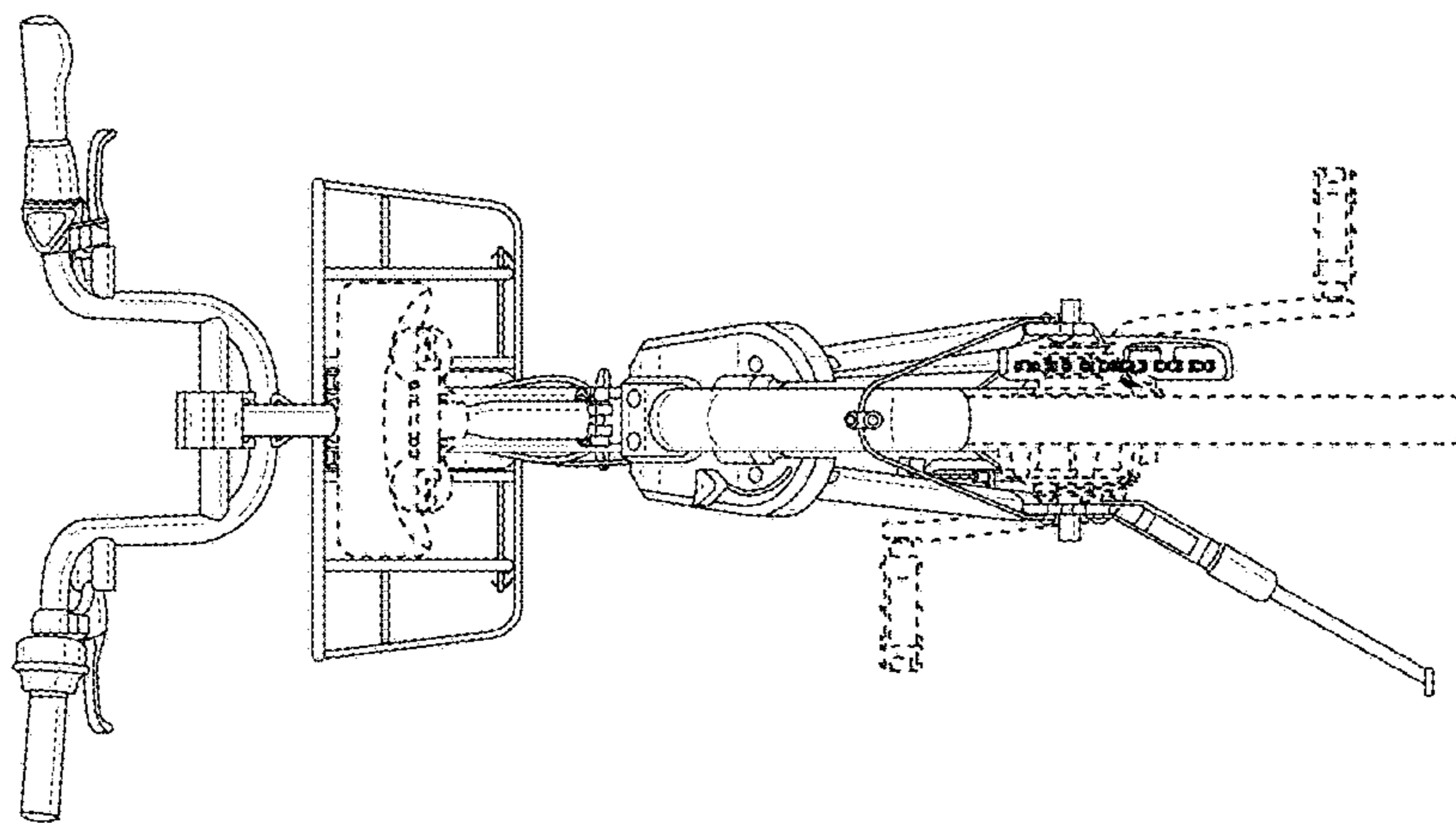


FIG. 3

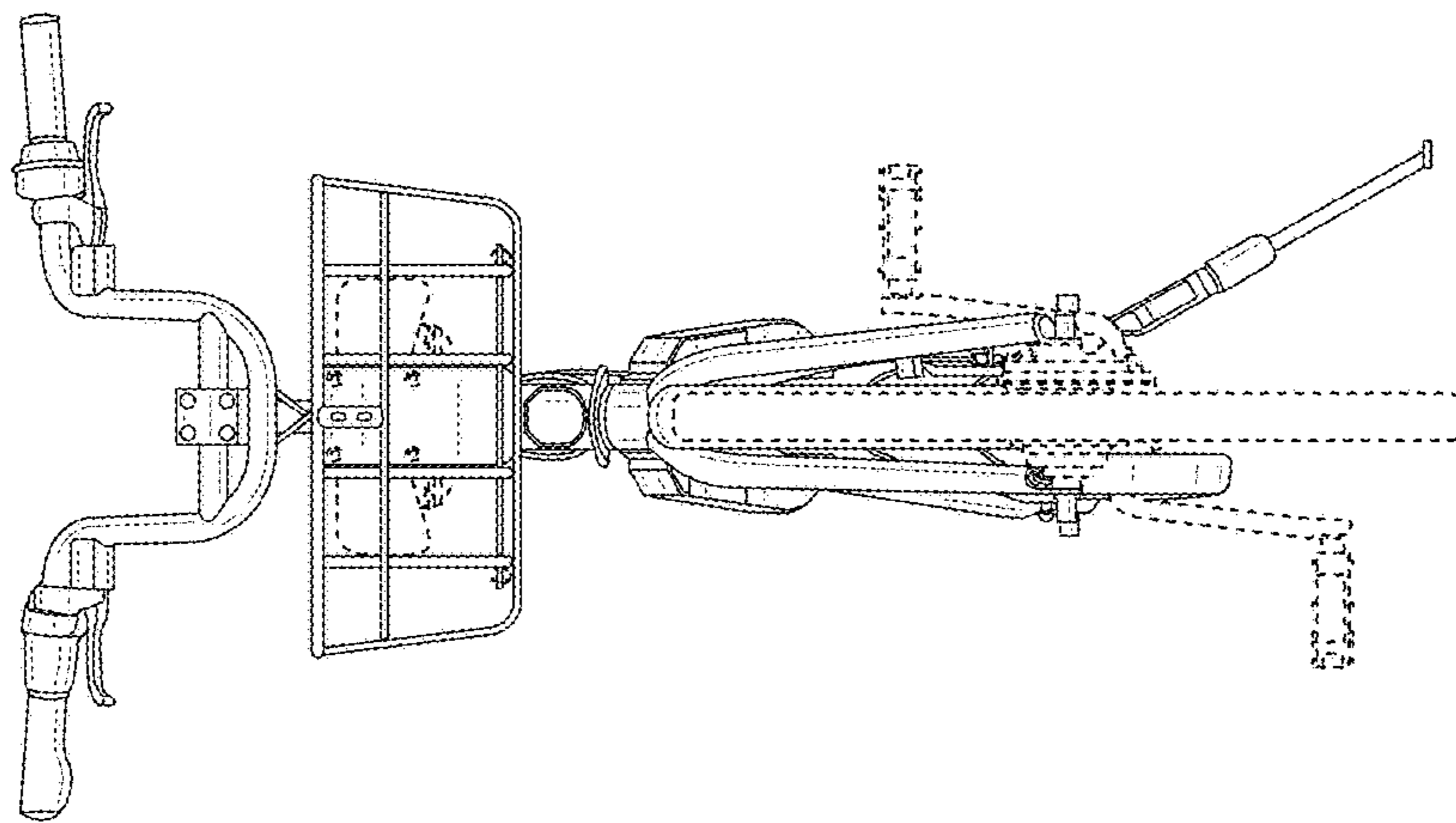


FIG. 4

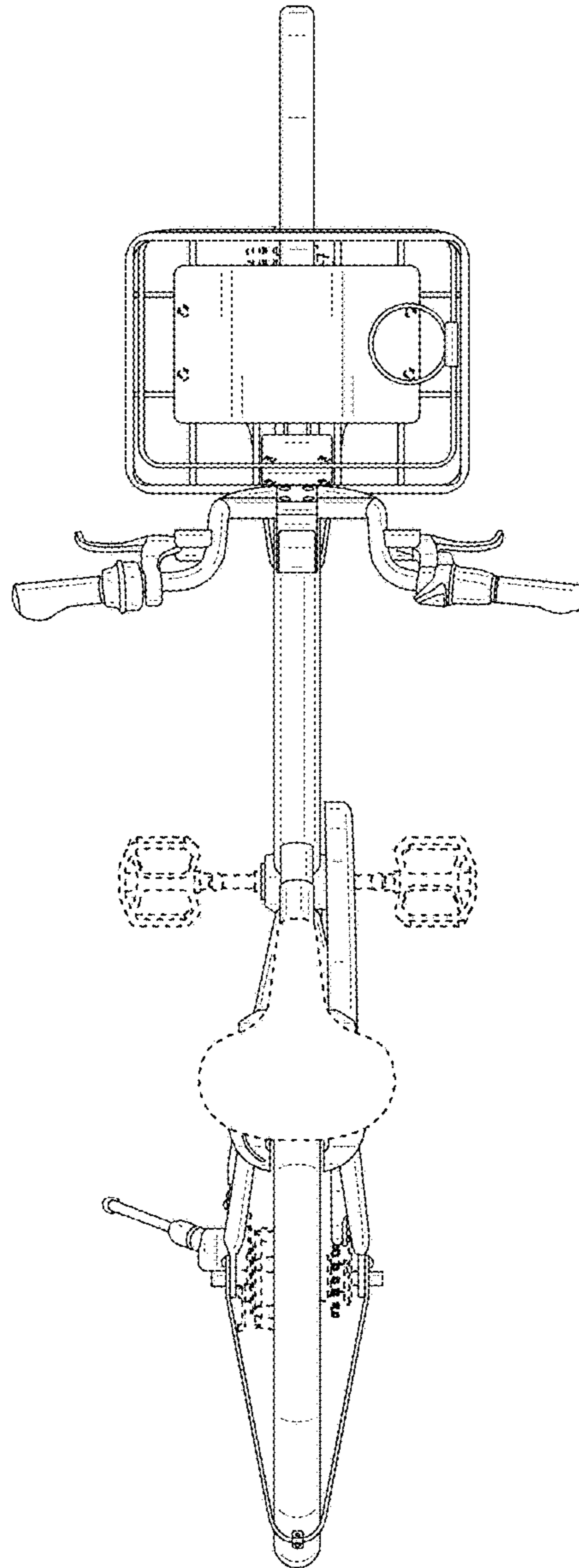


FIG. 5

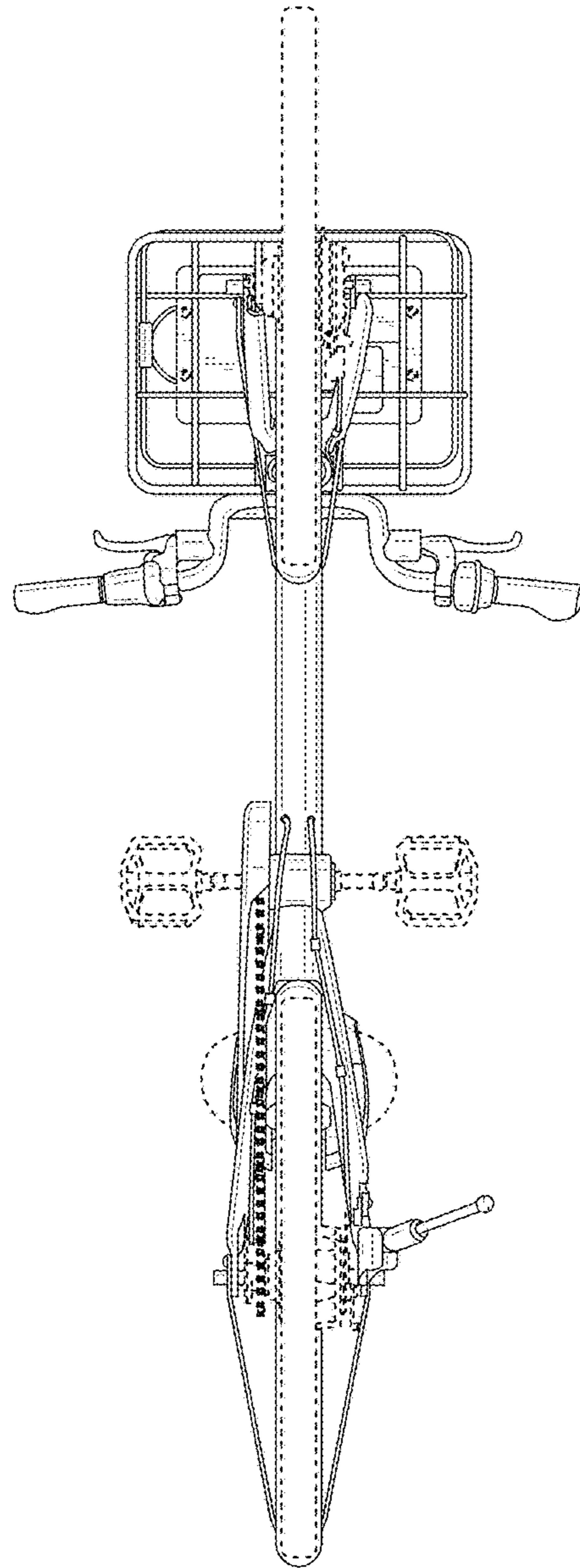


FIG. 6

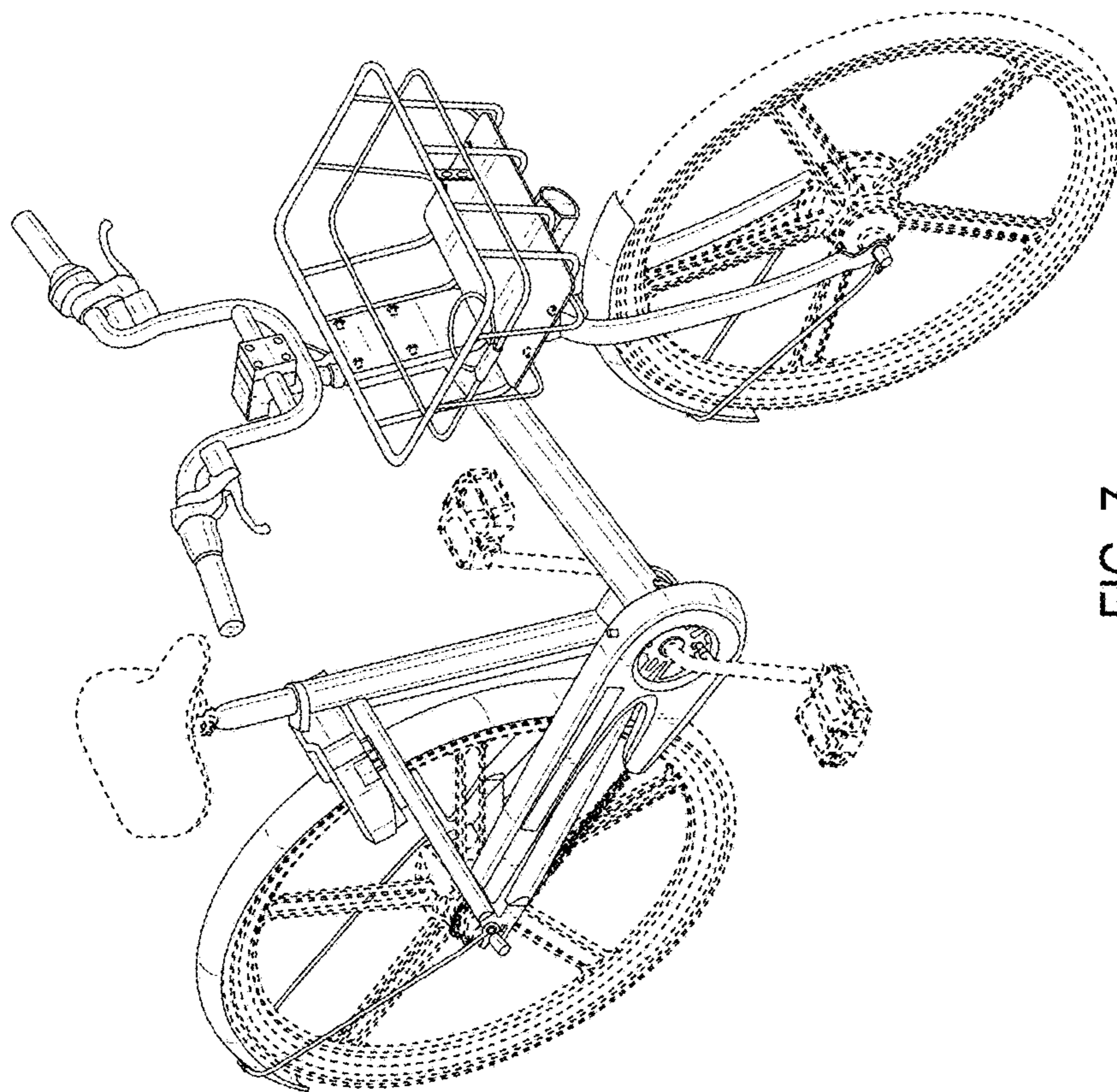


FIG. 7

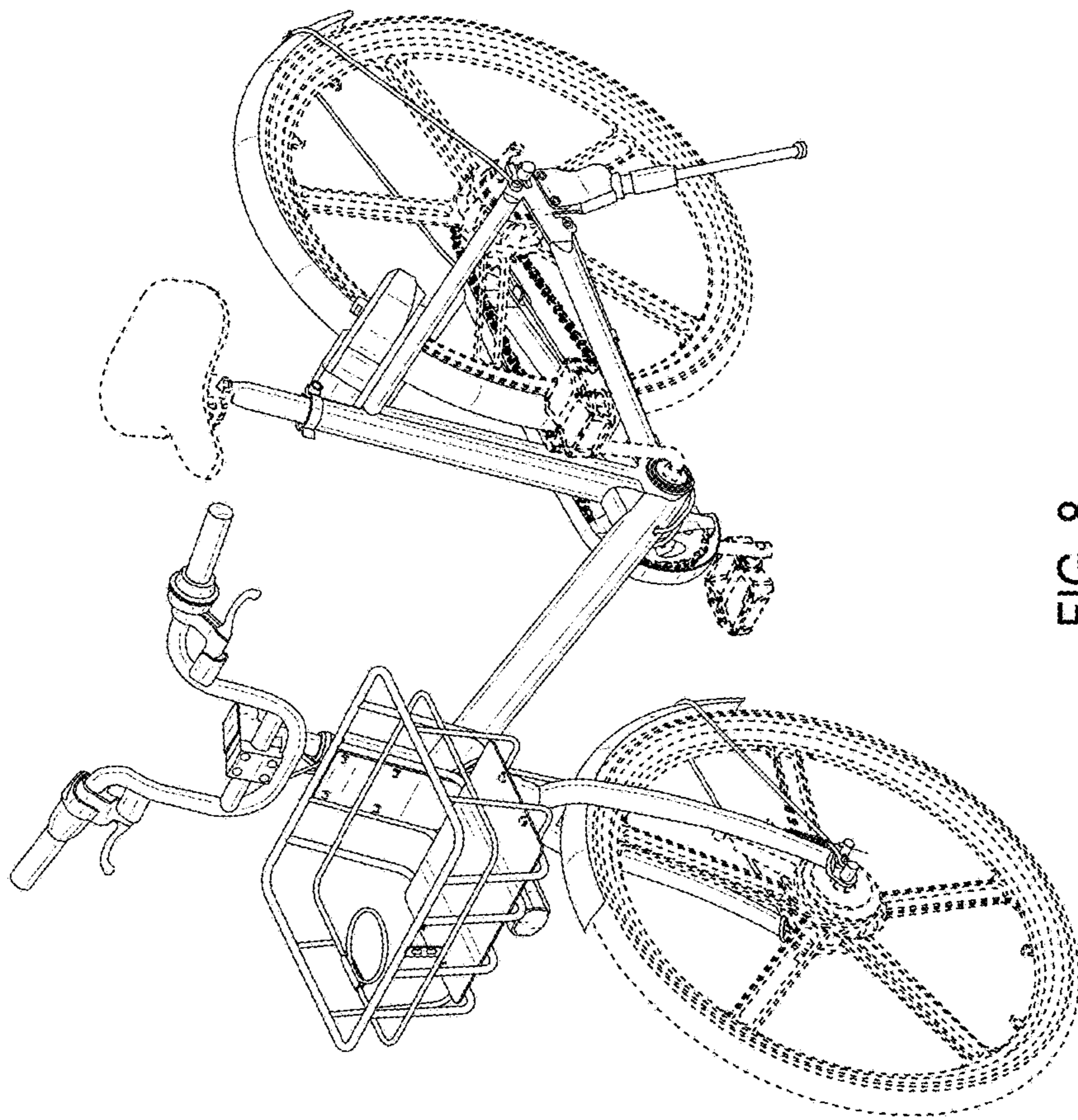


FIG. 8

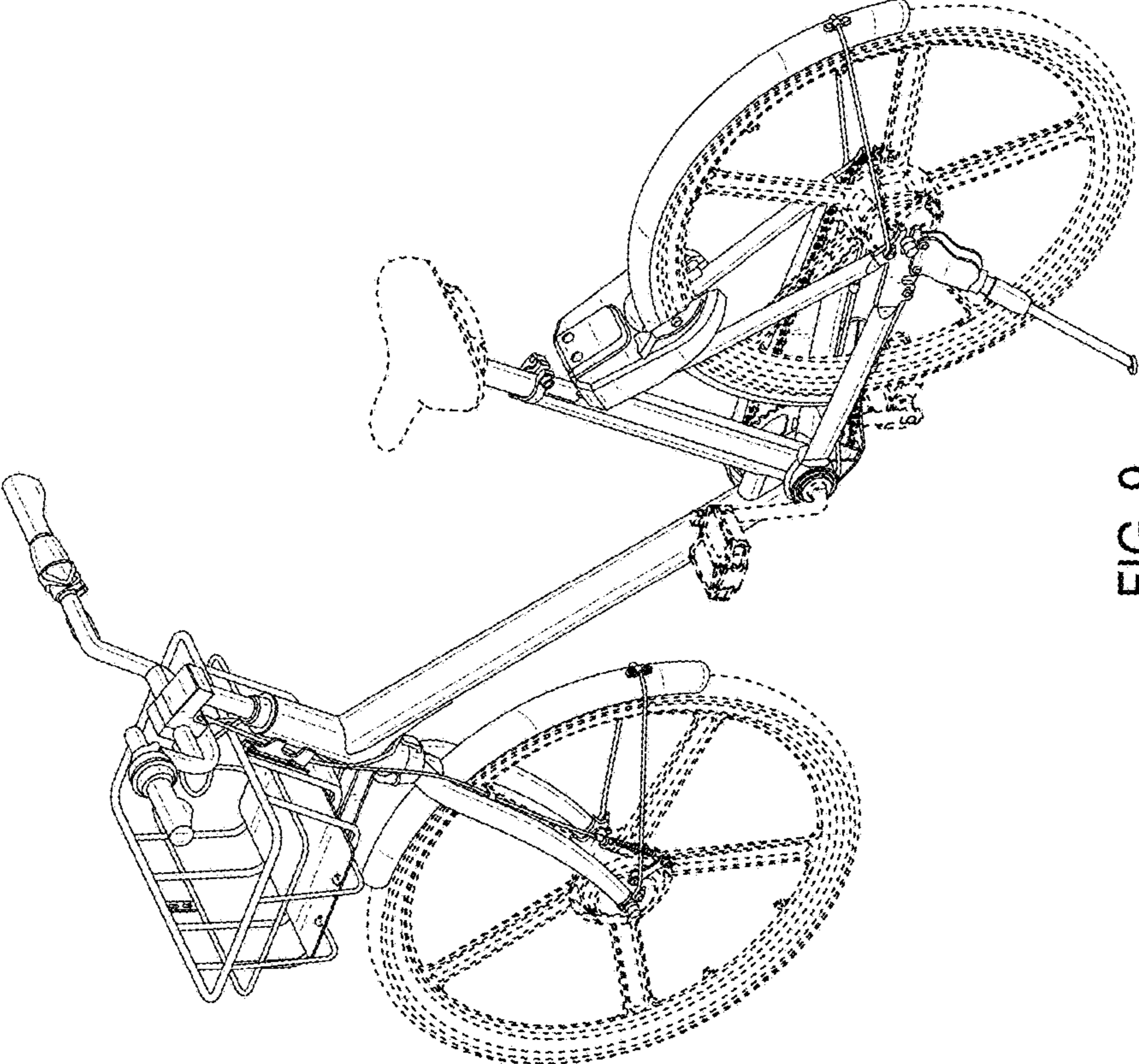


FIG. 9