

US00D863113S

(12) **United States Design Patent**
Carrithers

(10) **Patent No.:** **US D863,113 S**
(45) **Date of Patent:** **** Oct. 15, 2019**

(54) **PIVOT PIN**
(71) Applicant: **Andrew D. Carrithers**, Bardstown, KY
(US)
(72) Inventor: **Andrew D. Carrithers**, Bardstown, KY
(US)
(**) Term: **15 Years**

(21) Appl. No.: **29/631,982**
(22) Filed: **Jan. 24, 2018**
(51) **LOC (12) Cl.** **12-10**
(52) **U.S. Cl.**
USPC **D12/106**; D8/382
(58) **Field of Classification Search**
USPC D8/349, 354, 382, 387, 388, 391;
D12/106, 400, 160, 162, 223; D23/253
CPC . E05D 7/00; E05D 2007/1027; E05D 7/1022;
E05D 7/1005; E05D 7/10; E05D 7/121;
E05D 5/10; E05D 2005/102; E05D
2005/104; E05D 15/522; B60P 1/283;
B60P 1/6409; F16B 19/02; F16B 5/0088
See application file for complete search history.

(56) **References Cited**
U.S. PATENT DOCUMENTS
4,890,854 A * 1/1990 Hoover B60D 1/02
24/303
D396,669 S * 8/1998 Wilson D12/106
D418,452 S * 1/2000 Van Vleet D12/106
D438,494 S * 3/2001 Charmat D12/180
D473,126 S * 4/2003 Fergusson D8/387

D496,260 S * 9/2004 Echazabal D8/387
D503,216 S * 3/2005 Berkman D23/249
D568,729 S * 5/2008 Gary D8/382
D658,481 S * 5/2012 Pratt D8/349
D775,304 S * 12/2016 Jen D22/108
2012/0007410 A1* 1/2012 Rogers B60P 1/165
298/17.6
2016/0003271 A1* 1/2016 Wang F16B 5/00
403/322.4

* cited by examiner

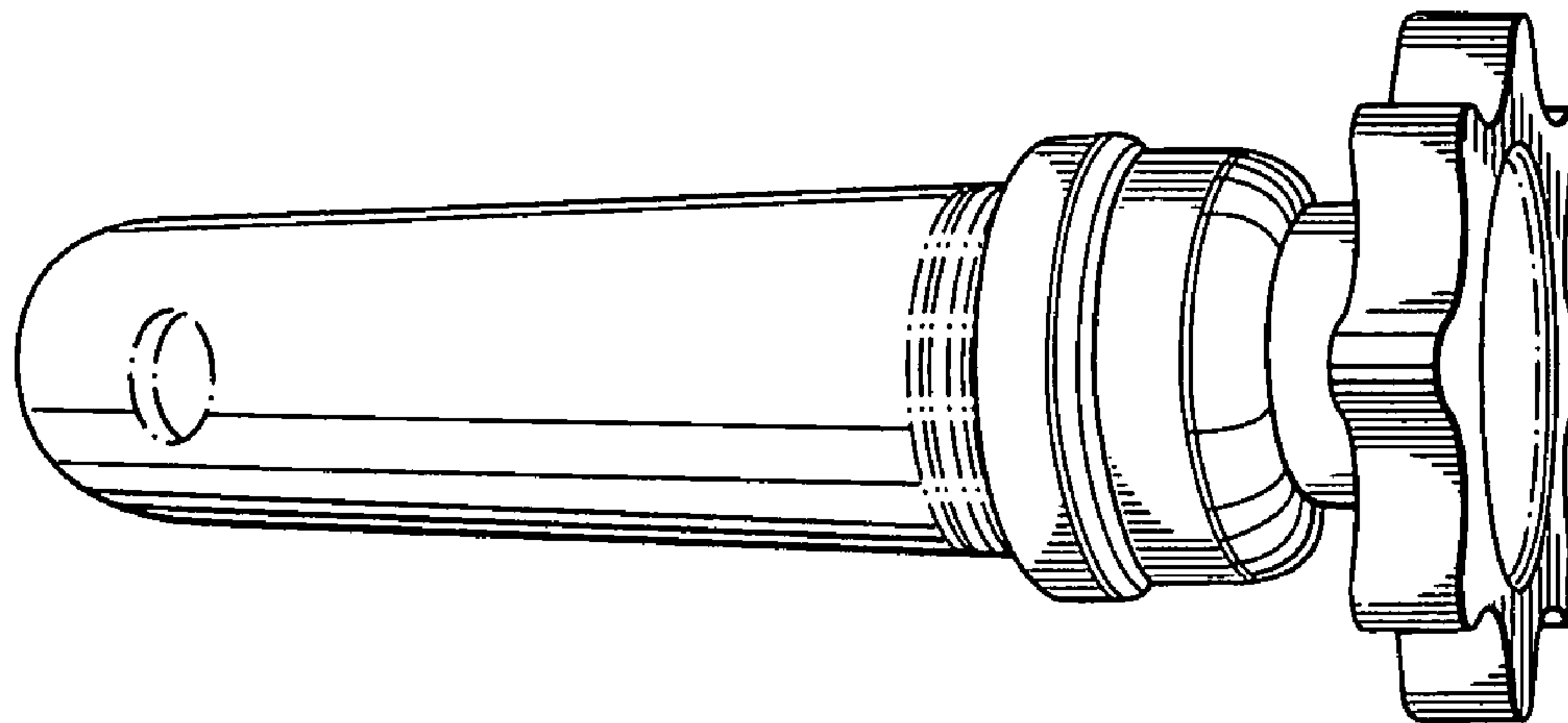
Primary Examiner — Sandra S Snapp
Assistant Examiner — Ieisha N Price
(74) *Attorney, Agent, or Firm* — Carrithers Law Office,
PLLC; David W. Carrithers

(57) **CLAIM**
The ornamental design for a pivot pin, as shown and
described.

DESCRIPTION

FIG. 1 is a perspective view of a pivot pin showing my new
design;
FIG. 2 is a side view thereof;
FIG. 3 is a rear end view thereof;
FIG. 4 is a front end view thereof; and,
FIG. 5 is a perspective view showing the pivot pin posi-
tioned with respect to a trailer pivot pin receiver shown in
broken lines.
The dot-dash-dot broken lines rendered in the drawings
illustrate portions of the pivot pin and form no part of the
claimed design. The broken lines showing of the trailer in
FIG. 5 illustrates the environment of the claimed design and
forms no part thereof.

1 Claim, 2 Drawing Sheets



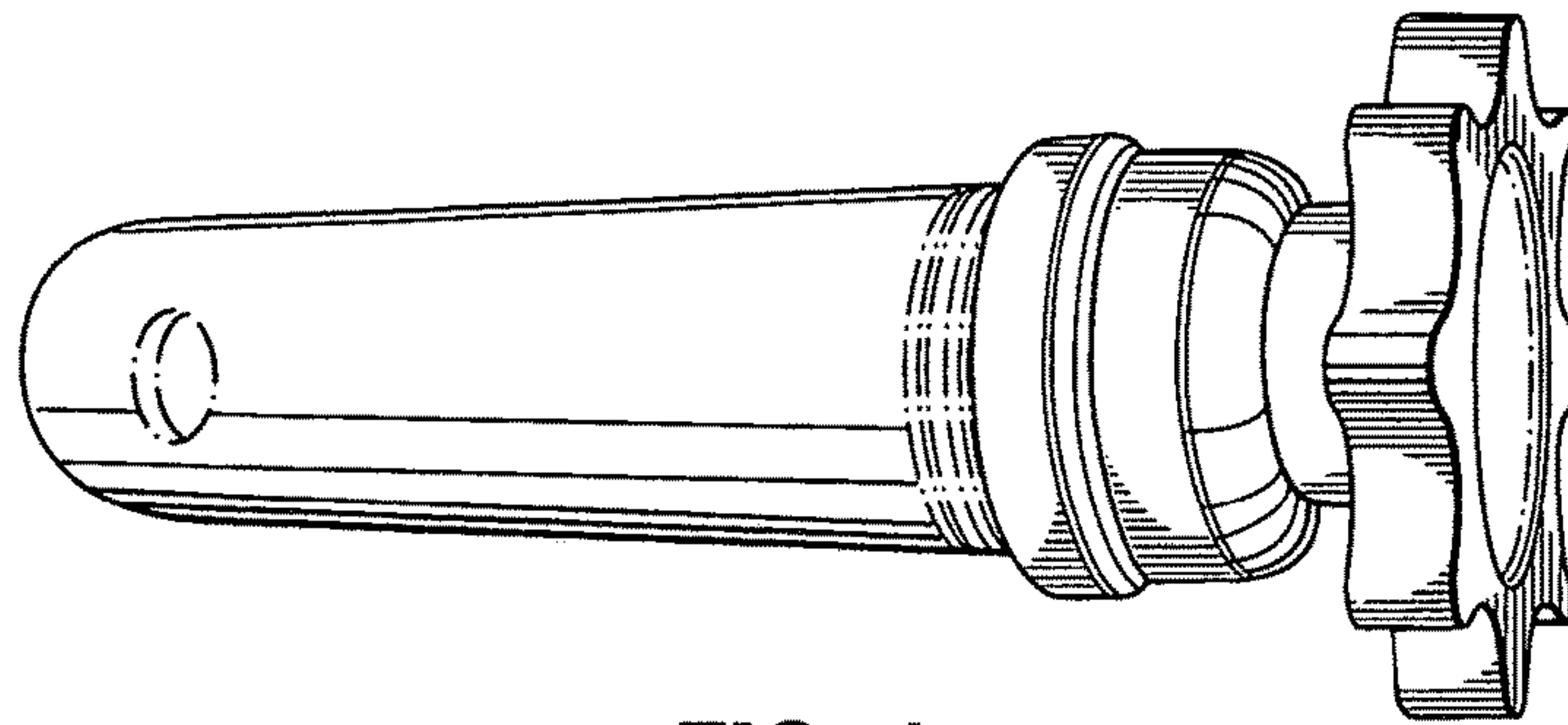


FIG. 1

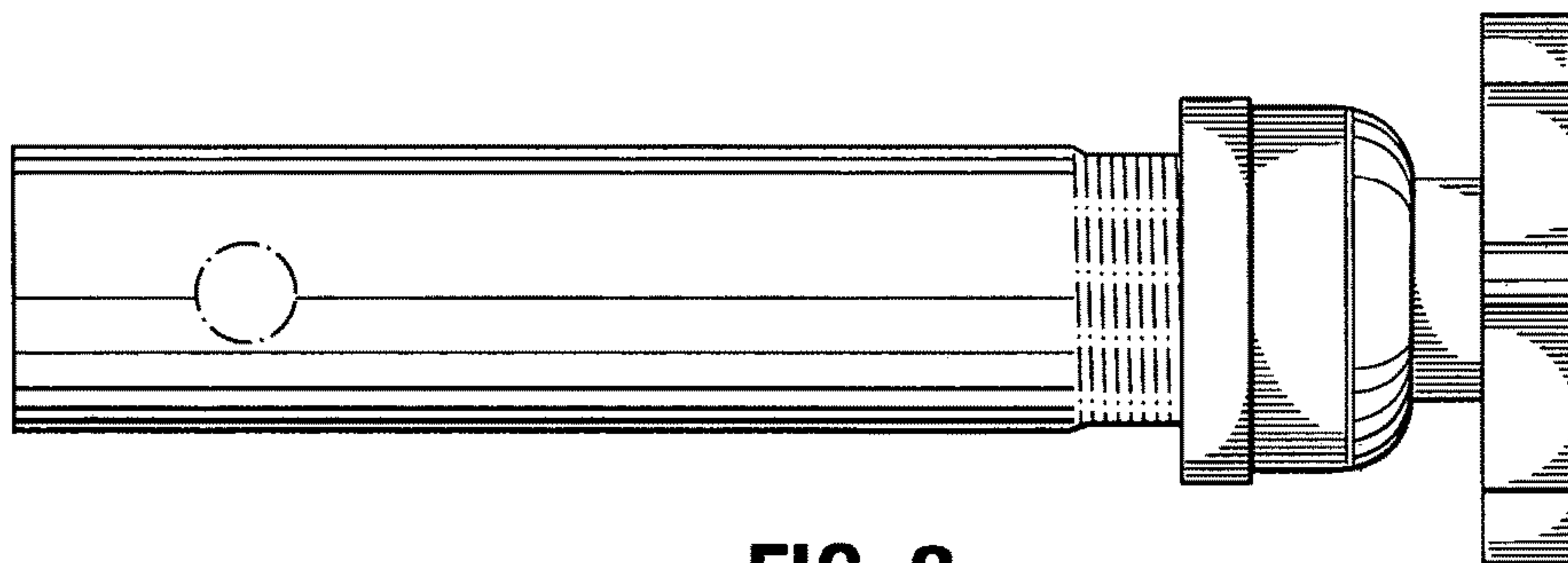


FIG. 2

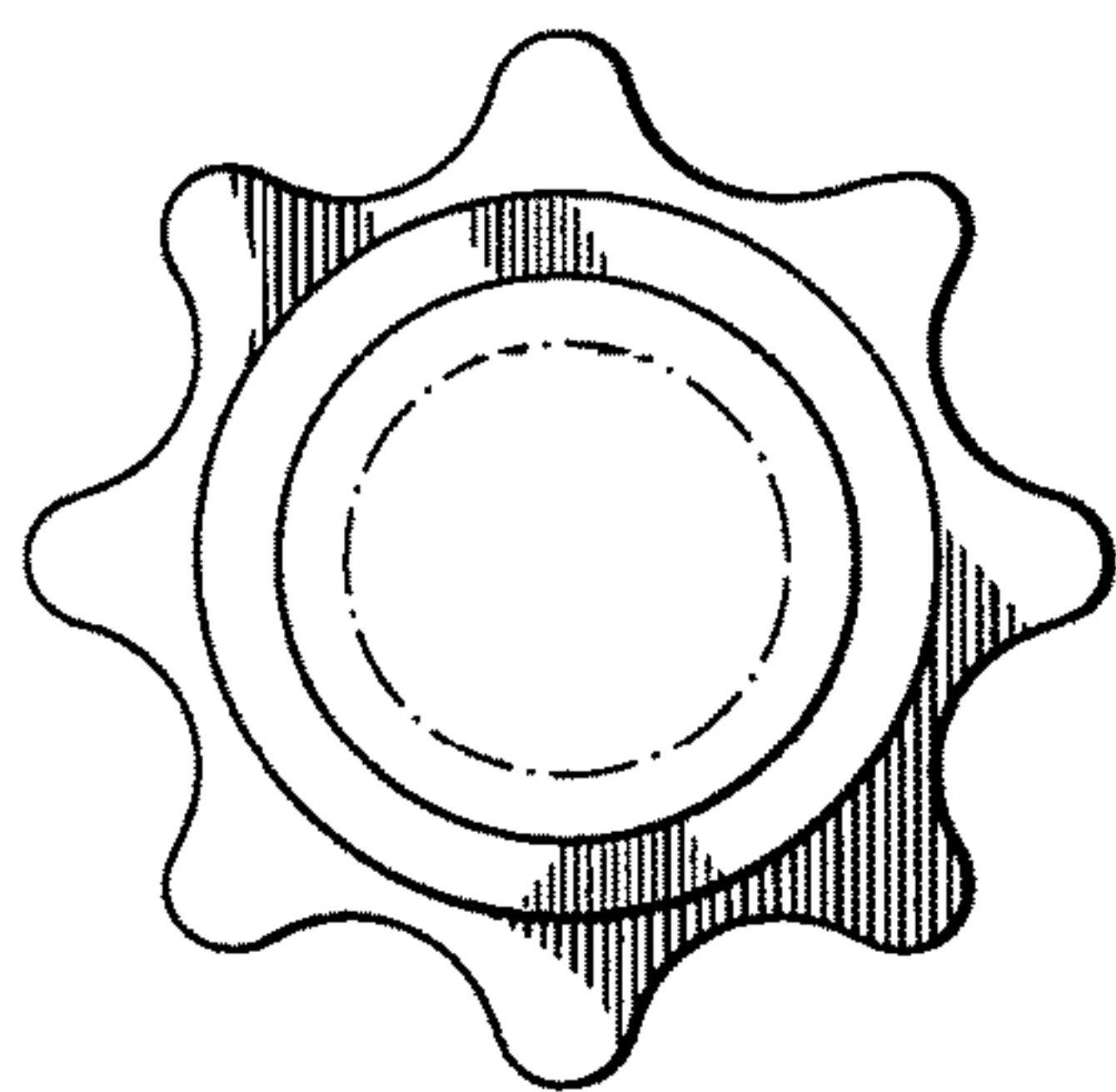


FIG. 3

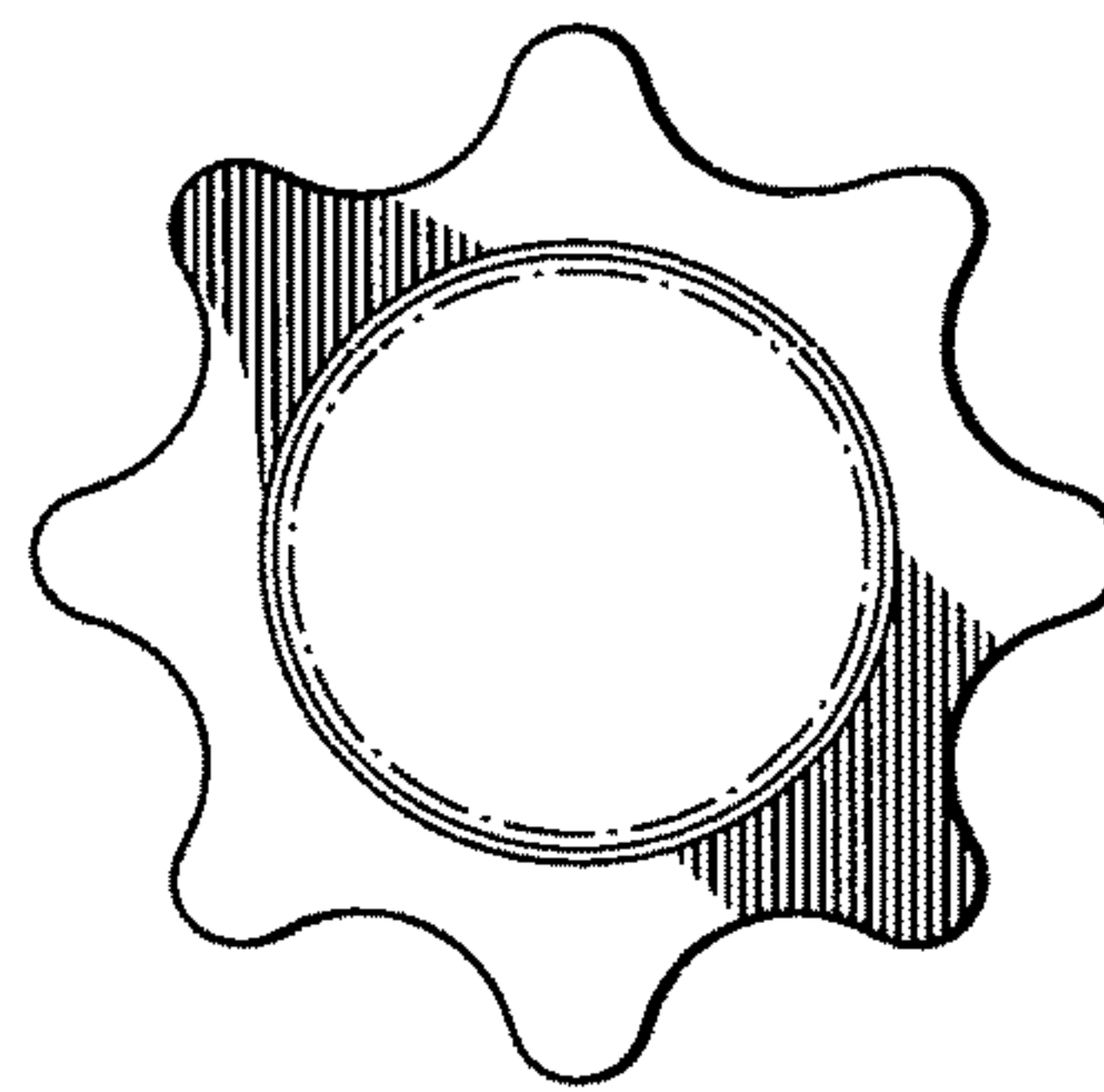


FIG. 4

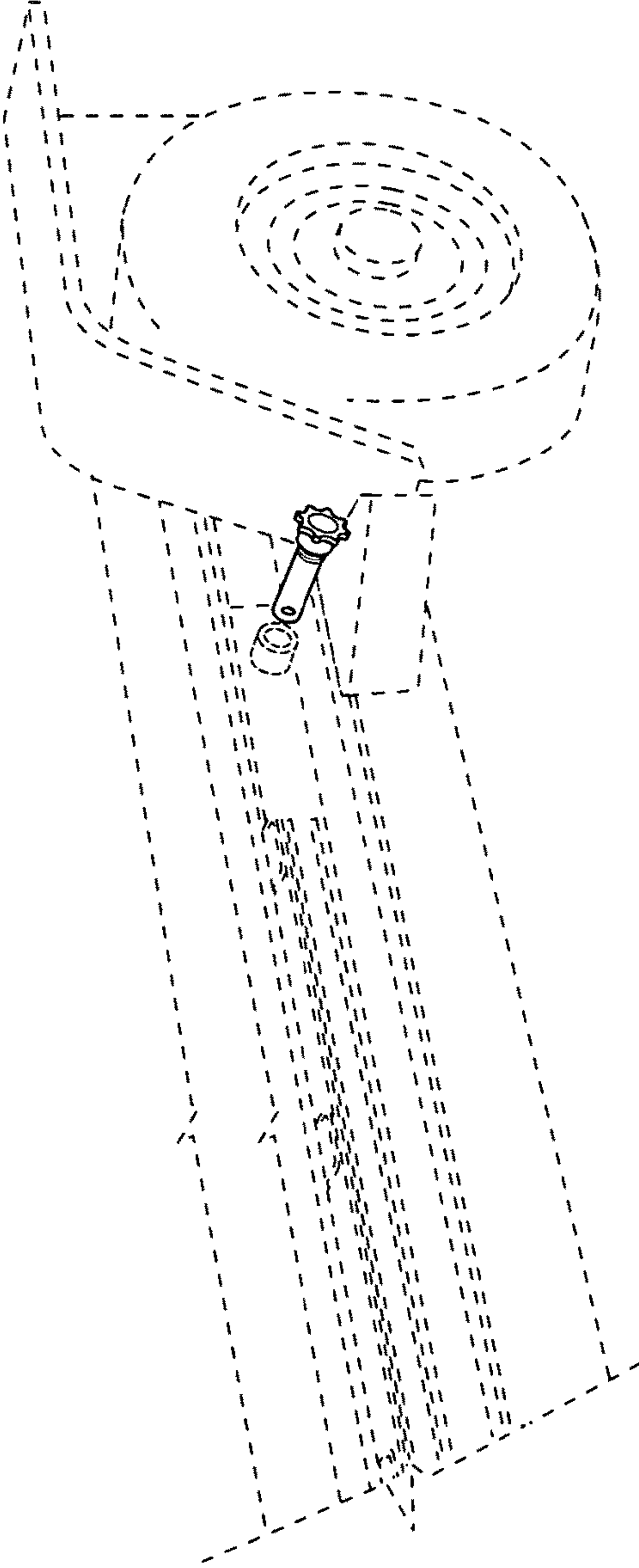


FIG. 5