

US00D863111S

(12) **United States Design Patent**
Kern

(10) **Patent No.:** **US D863,111 S**
(45) **Date of Patent:** **** Oct. 15, 2019**

- (54) **BICYCLE TRAILER**
- (71) Applicant: **Kenneth C Kern**, Boise, ID (US)
- (72) Inventor: **Kenneth C Kern**, Boise, ID (US)
- (**) Term: **15 Years**
- (21) Appl. No.: **29/605,570**
- (22) Filed: **May 26, 2017**
- (51) **LOC (12) Cl.** **12-10**
- (52) **U.S. Cl.**
USPC **D12/101**
- (58) **Field of Classification Search**
USPC D12/101, 102, 103, 104, 105, 106, 19,
D12/219, 111, 162, 400, 423, 424, 425,
D12/426, 427, 428, 419, 431, 432, 433,
D12/434, 435, 114
CPC B23L 3/00; B62B 1/12; B62B 1/22; B62B
1/206; B62B 1/18; B62B 1/008; B62B
1/16; B62D 63/064; B62D 63/061; B62D
1/00; B62D 13/025; B62K 27/12; B62K
27/006; A45C 13/385; A45F 3/14
See application file for complete search history.

- (56) **References Cited**
U.S. PATENT DOCUMENTS
4,756,541 A * 7/1988 Albitre B62K 27/006
280/204
5,098,113 A * 3/1992 Albitre B62K 27/006
280/204
5,240,266 A * 8/1993 Kelley B62K 27/12
280/204
5,620,193 A * 4/1997 Dschaak B62B 1/22
280/47.31
5,791,670 A * 8/1998 Hunker A45C 13/385
280/204
5,820,141 A * 10/1998 Wilkerson B62B 1/206
280/30
D409,117 S * 5/1999 Everett D12/114

- 6,042,138 A * 3/2000 Shreck B60D 1/00
280/492
- 6,341,787 B1 * 1/2002 Mason B62B 1/18
280/47.26
- 6,481,735 B1 * 11/2002 Hilk B62K 27/006
280/204
- D523,779 S * 6/2006 Mattila D12/101
- 7,484,737 B2 * 2/2009 Satorius A45F 3/14
280/1.5
- 7,850,185 B2 * 12/2010 Weng B62K 27/006
224/400

(Continued)

Primary Examiner — Susan E Krakower
Assistant Examiner — Jerry Shiuang-Hua Hsu
(74) *Attorney, Agent, or Firm* — Pedersen & Company,
PLLC; Ken J. Pedersen; Barbara S. Pedersen

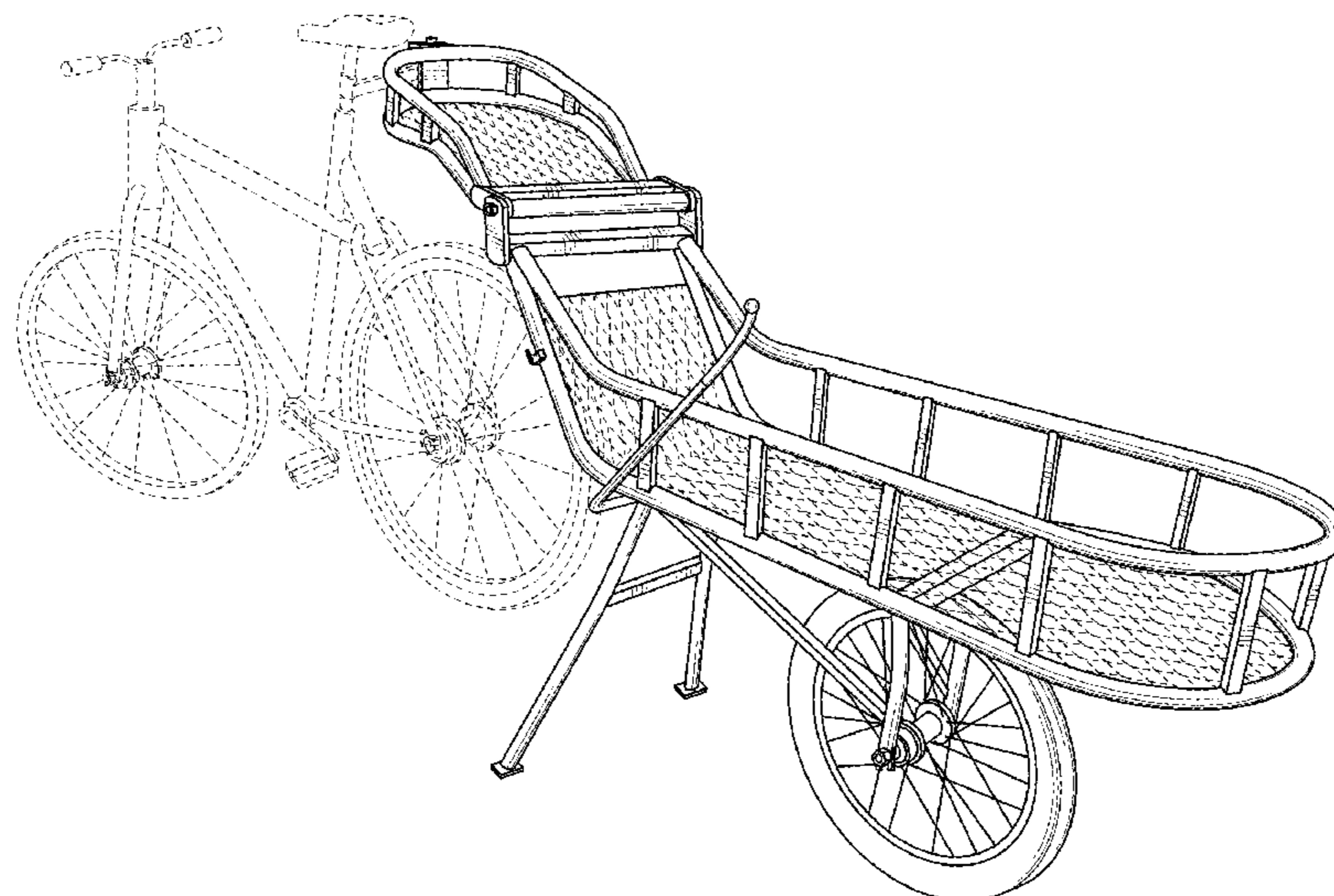
(57) **CLAIM**

The ornamental design for a bicycle trailer, as shown and described.

DESCRIPTION

FIG. 1 is a left-rear perspective view of the bicycle trailer, showing my new design.
FIG. 2 is a left side view of the bicycle trailer of FIG. 1 pivotally-folded for compact storage with stand retracted.
FIG. 3 is a left side view of the bicycle trailer of FIG. 1 with stand retracted.
FIG. 4 is a rear view of the bicycle trailer of FIG. 1.
FIG. 5 is a front view of the bicycle trailer of FIG. 1.
FIG. 6 is a left side view of the bicycle trailer of FIG. 1.
FIG. 7 is a right side view of the bicycle trailer of FIG. 1.
FIG. 8 is a top view of the bicycle trailer of FIG. 1; and, FIG. 9 is a bottom view of the bicycle trailer of FIG. 1.
The broken lines, depicting a bicycle in FIGS. 1 and 2, illustrate environmental structure that forms no part of the claimed design. The broken lines illustrating the bottom mesh of the trailer illustrate portions of the bicycle trailer that form no part of the claimed design.

1 Claim, 9 Drawing Sheets



(56)

References Cited

U.S. PATENT DOCUMENTS

8,056,657 B1 * 11/2011 Duehring B62K 27/006
180/11
8,087,683 B2 * 1/2012 James B62B 1/008
280/204
D667,757 S * 9/2012 Cooper D12/101
D691,518 S * 10/2013 Monia D12/101
8,636,094 B1 * 1/2014 Conner B62K 27/12
180/204
8,814,193 B2 * 8/2014 Barnes B62K 27/006
280/204
9,016,709 B1 * 4/2015 McMunn B62D 13/025
280/444
9,056,623 B1 * 6/2015 Woller B62B 1/16
9,650,104 B2 * 5/2017 Irwin B62L 3/00
2002/0195798 A1 * 12/2002 James B62D 63/061
280/656
2007/0290476 A1 * 12/2007 Chuang B62D 63/064
280/204
2008/0073871 A1 * 3/2008 Winkel B62B 1/12
280/415.1
2008/0157493 A1 * 7/2008 McConkey B62D 63/061
280/40

* cited by examiner

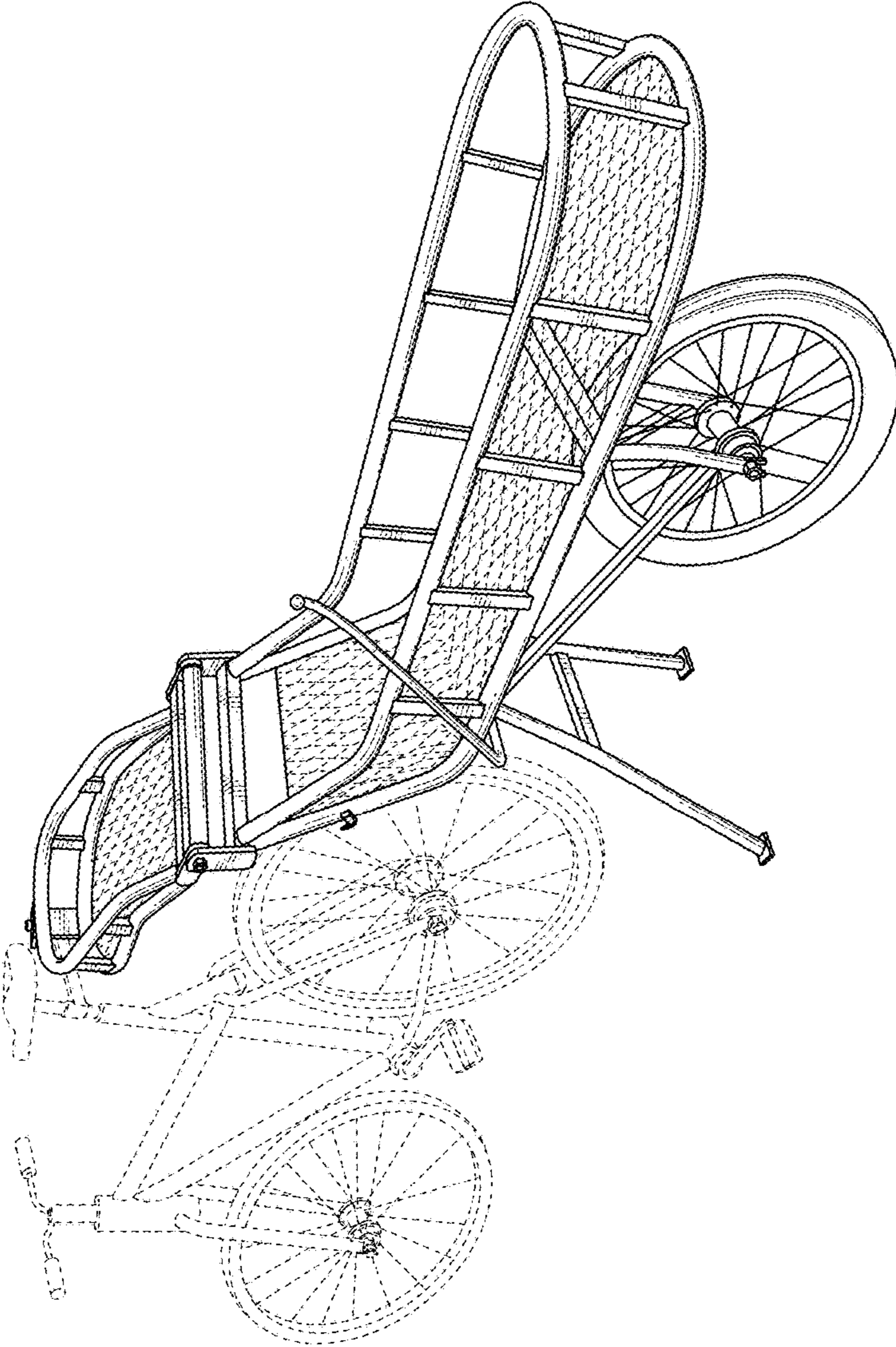


FIG. 1

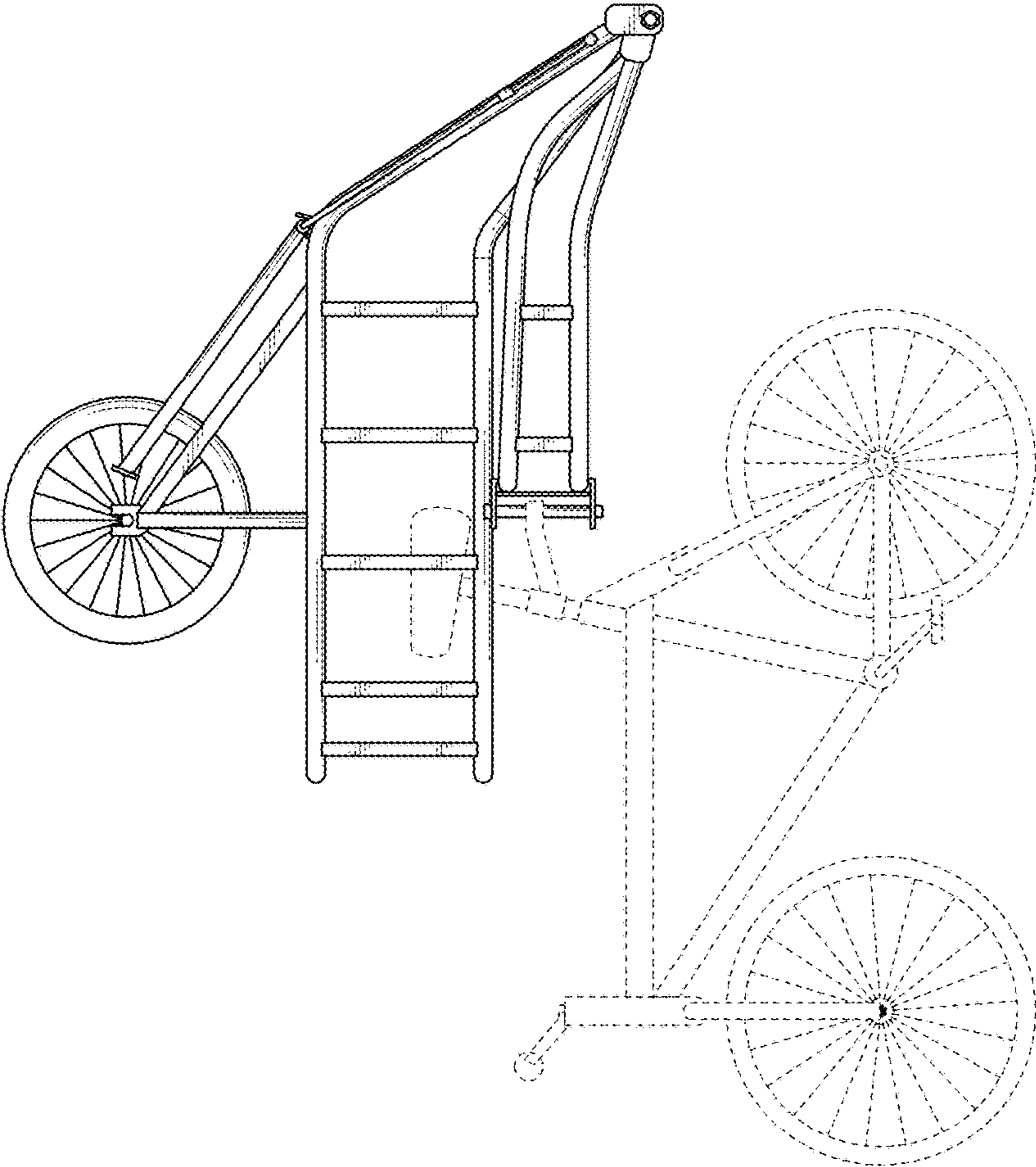


FIG. 2

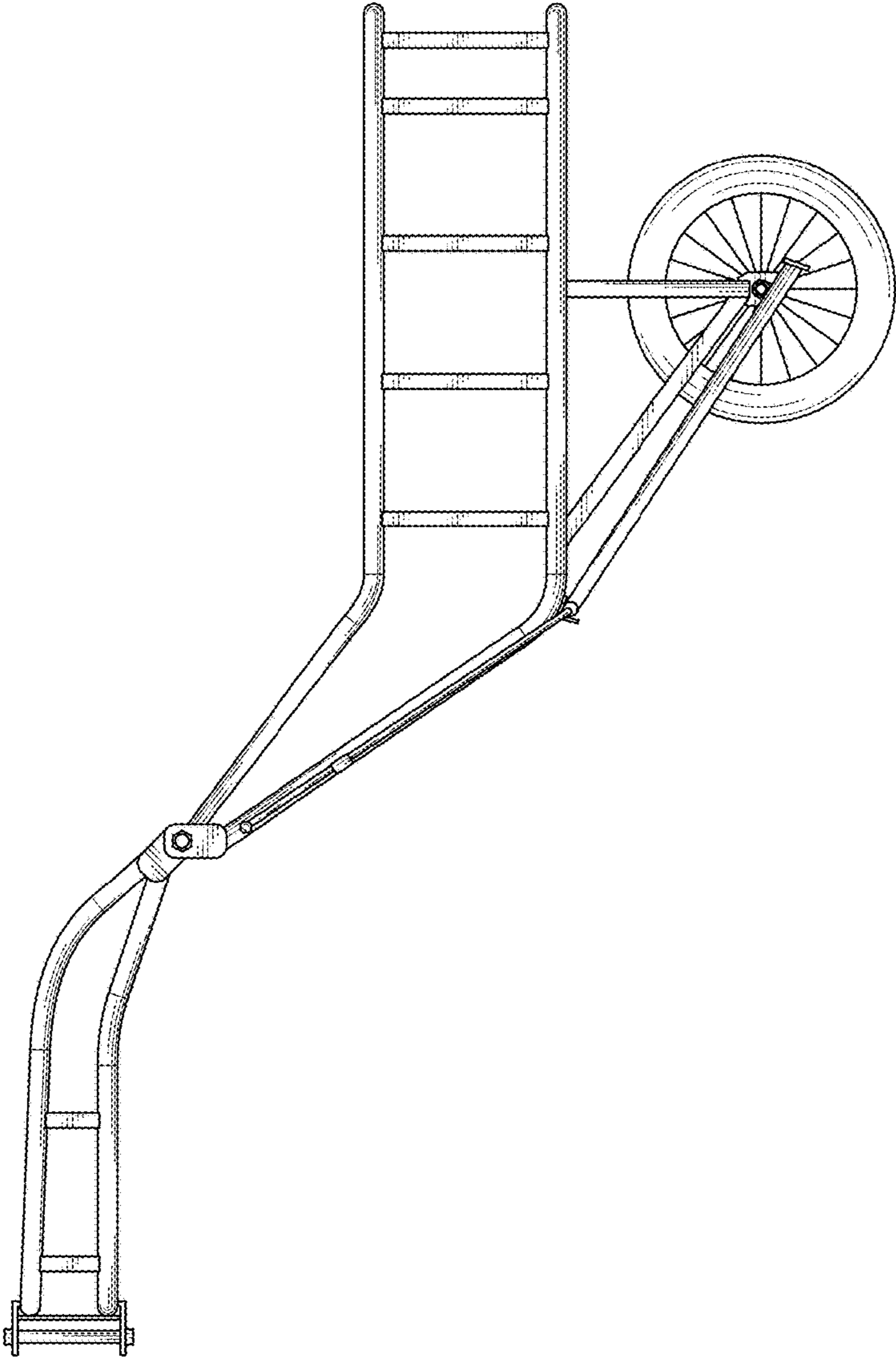


FIG. 3

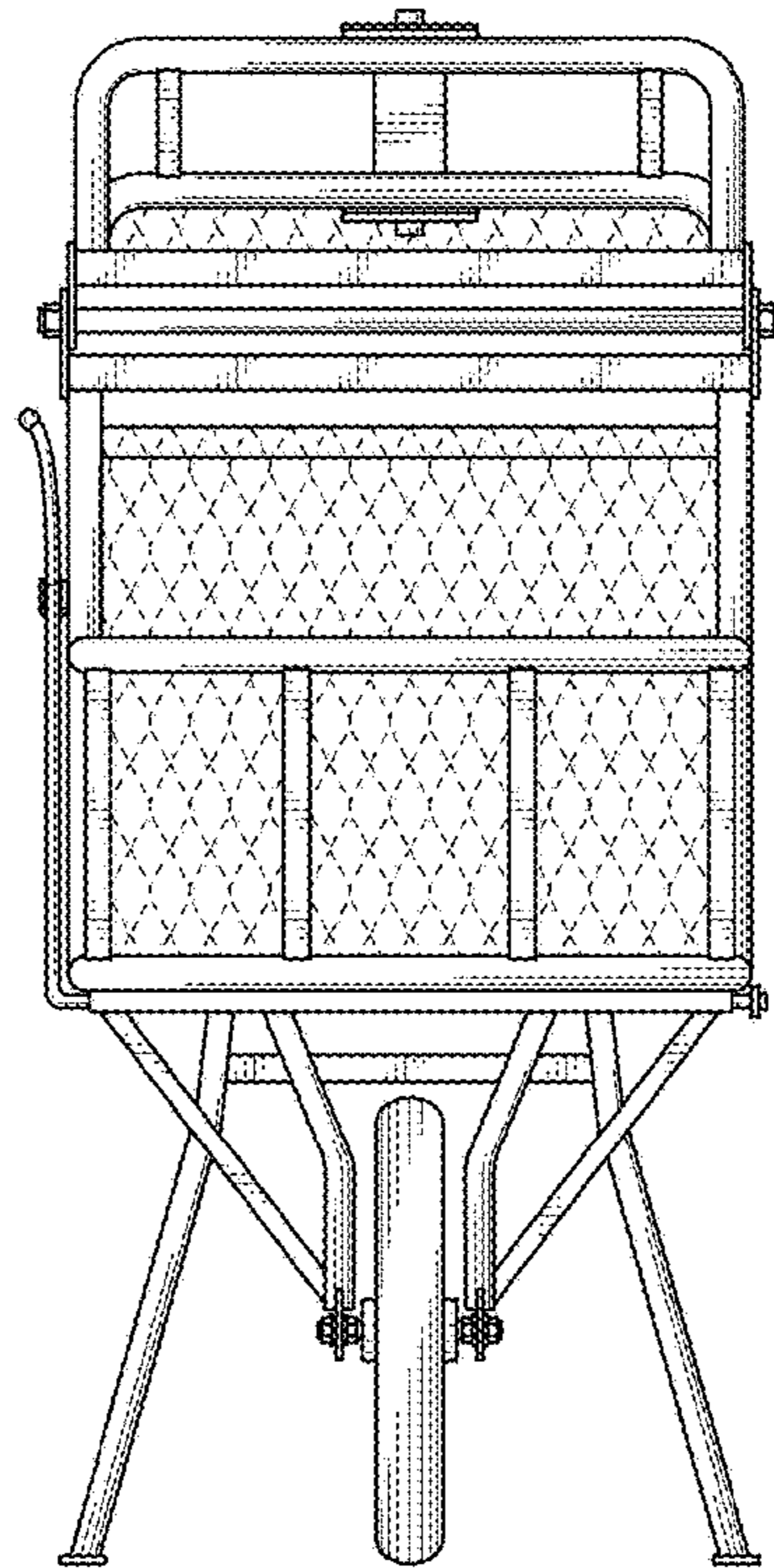


FIG. 4

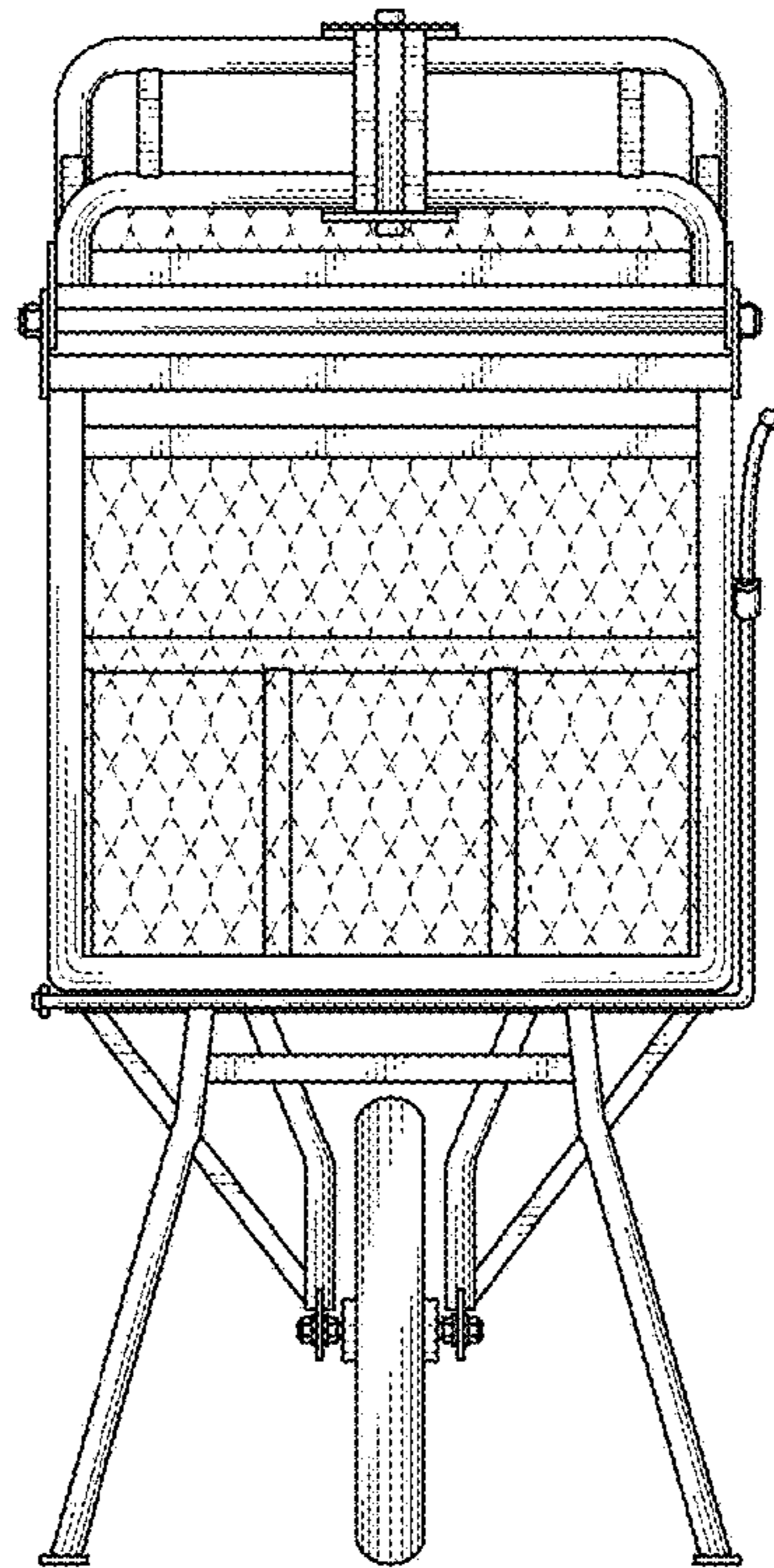


FIG. 5

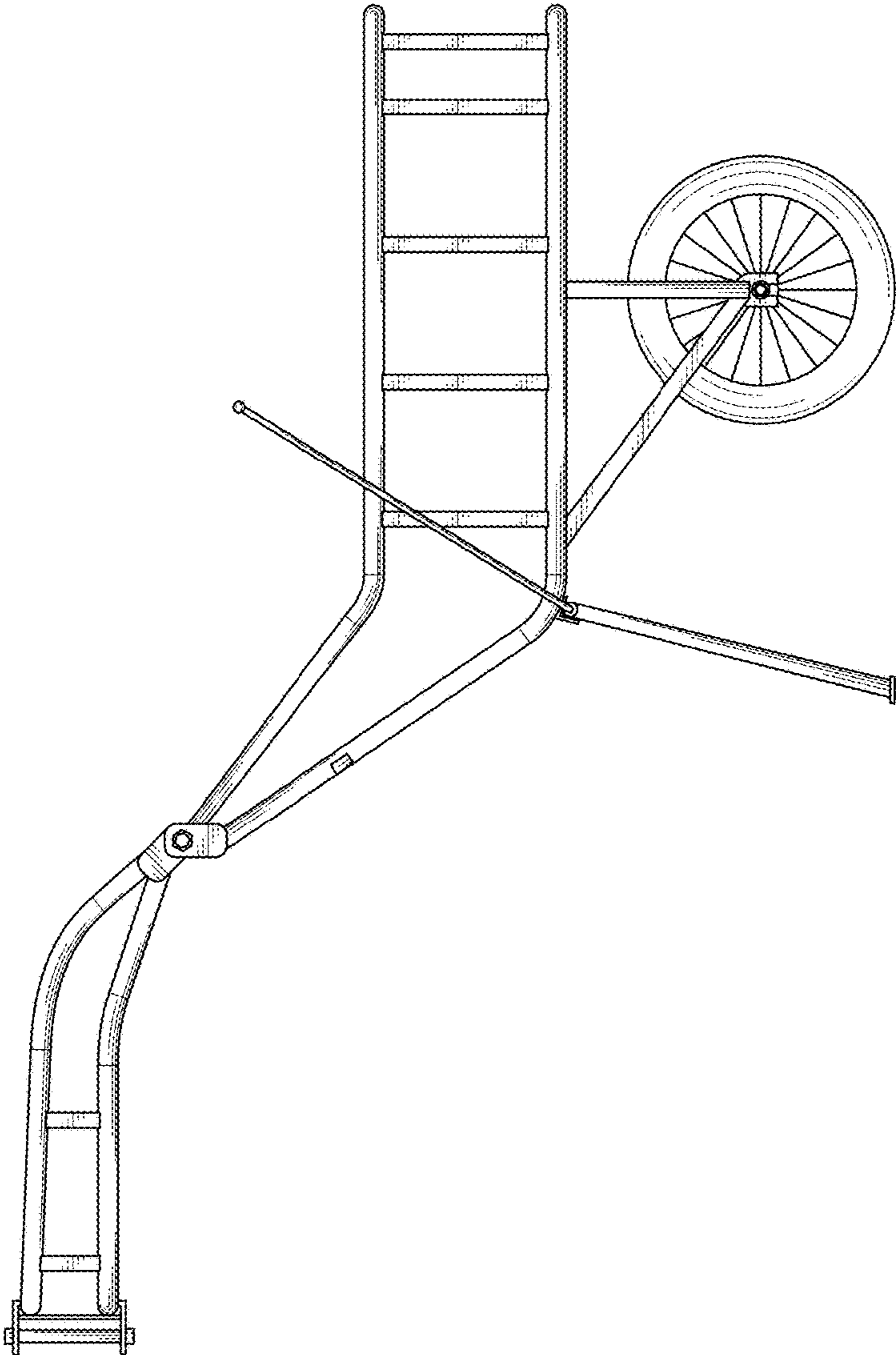


FIG. 6

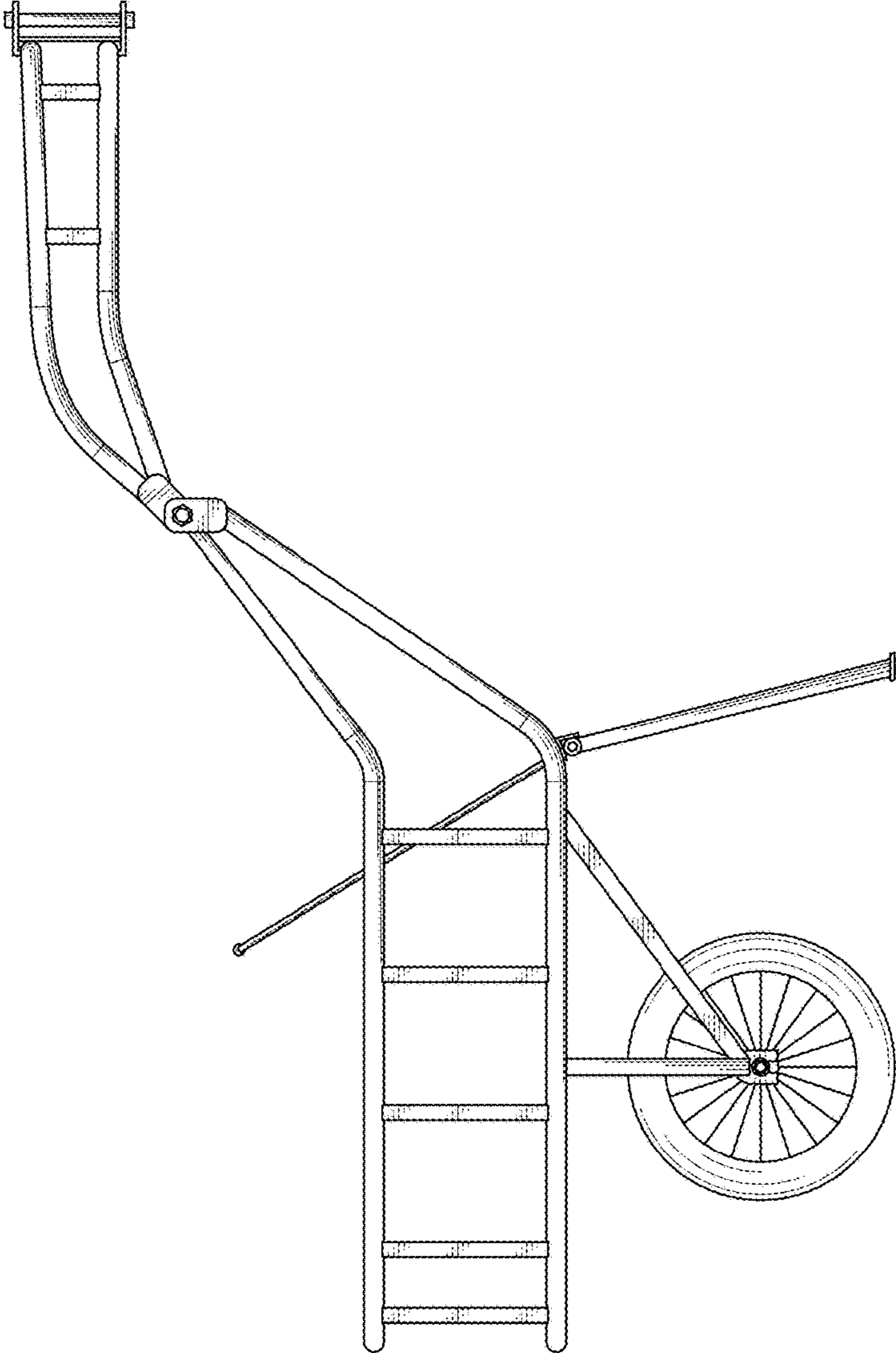


FIG. 7

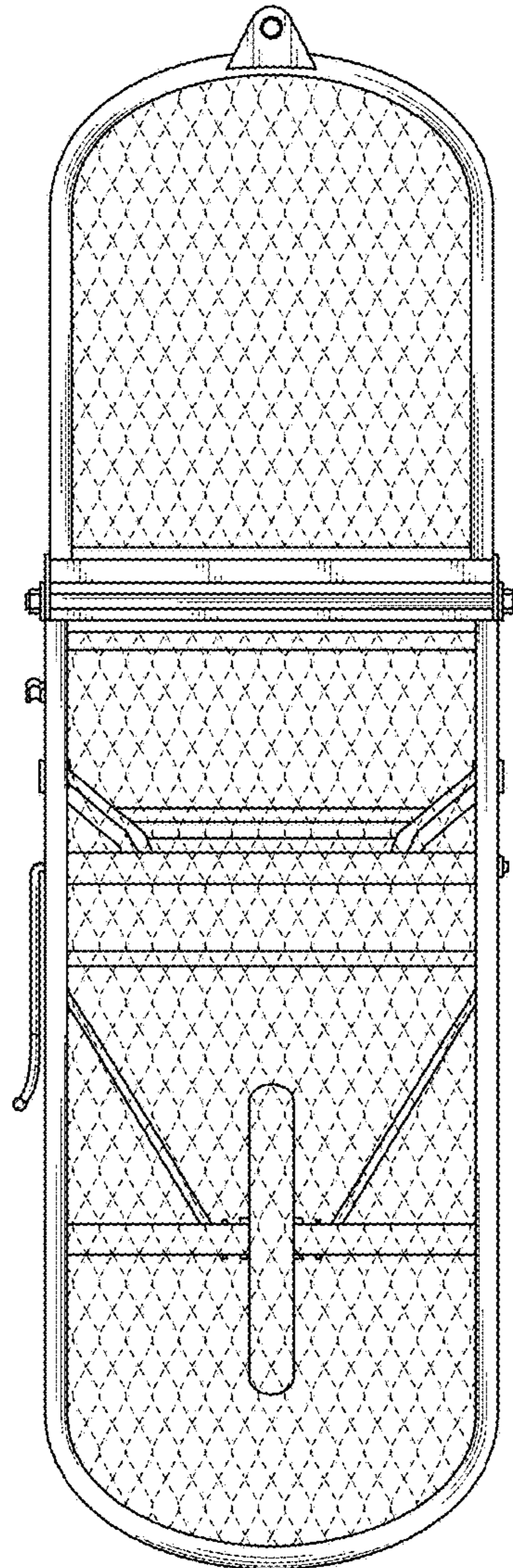


FIG. 8

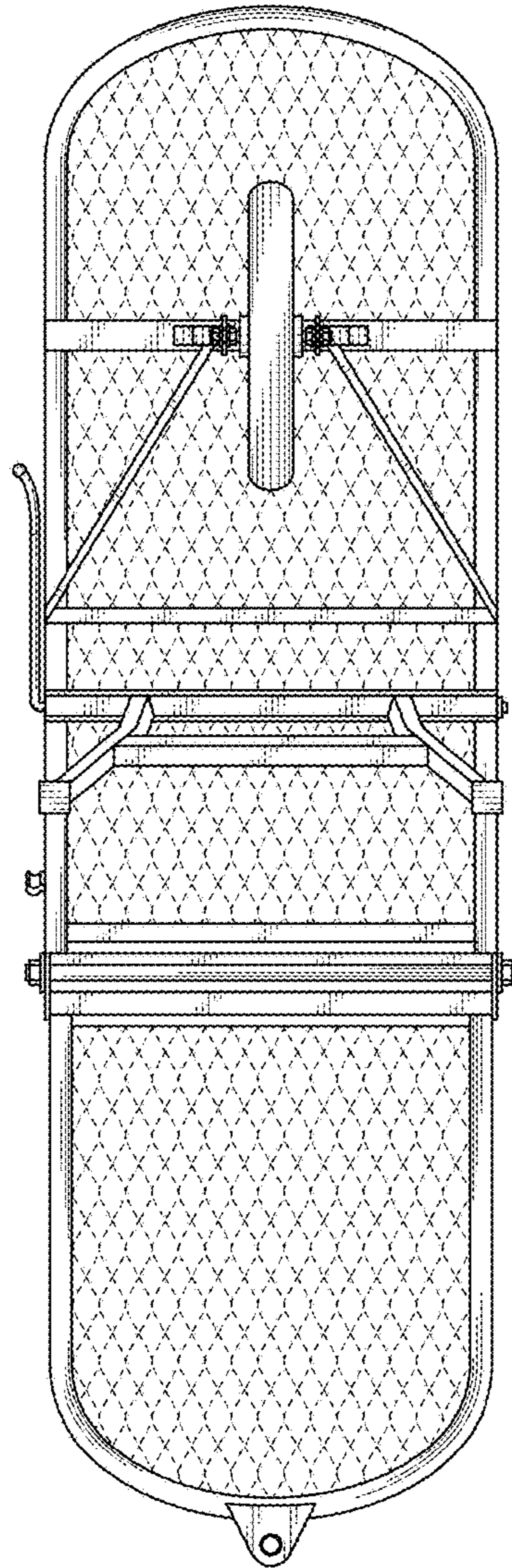


FIG. 9