



US00D863102S

(12) **United States Design Patent**
Gill

(10) **Patent No.:** **US D863,102 S**

(45) **Date of Patent:** **** Oct. 15, 2019**

(54) **RAIL SHOE ASSEMBLY AND COMPONENTS THEREOF**

(71) Applicant: **Hougen Manufacturing, Inc.**, Swartz Creek, MI (US)

(72) Inventor: **Jeffrey Gill**, Davison, MI (US)

(73) Assignee: **Hougen Manufacturing, Inc.**, Swartz Creek, MI (US)

(**) Term: **15 Years**

(21) Appl. No.: **29/540,882**

(22) Filed: **Sep. 29, 2015**

(51) **LOC (12) Cl.** **12-03**

(52) **U.S. Cl.**
USPC **D12/42**

(58) **Field of Classification Search**
USPC D15/122, 126, 128, 132, 138, 139, 140,
D15/142; D8/61; D10/71; D12/42, 36,
D12/49, 51
CPC B23Q 9/0042; B25H 1/0064; E01B 31/06;
B23B 41/006
See application file for complete search history.

(56) **References Cited**

U.S. PATENT DOCUMENTS

390,628 A * 10/1888 Trowbridge B23Q 9/0042
83/745
403,040 A * 5/1889 Doyle et al. B23B 35/005
408/95
415,198 A 11/1889 Heinbach

(Continued)

FOREIGN PATENT DOCUMENTS

CA 2867560 A1 4/2015
DE 102014115123 A1 4/2015

(Continued)

OTHER PUBLICATIONS

English language abstract and machine-assisted English translation for JP 2001-252805 extracted from PAJ database on Oct. 9, 2017, 17 pages.

(Continued)

Primary Examiner — T Chase Nelson

Assistant Examiner — Ania Aman

(74) *Attorney, Agent, or Firm* — Howard & Howard Attorneys PLLC

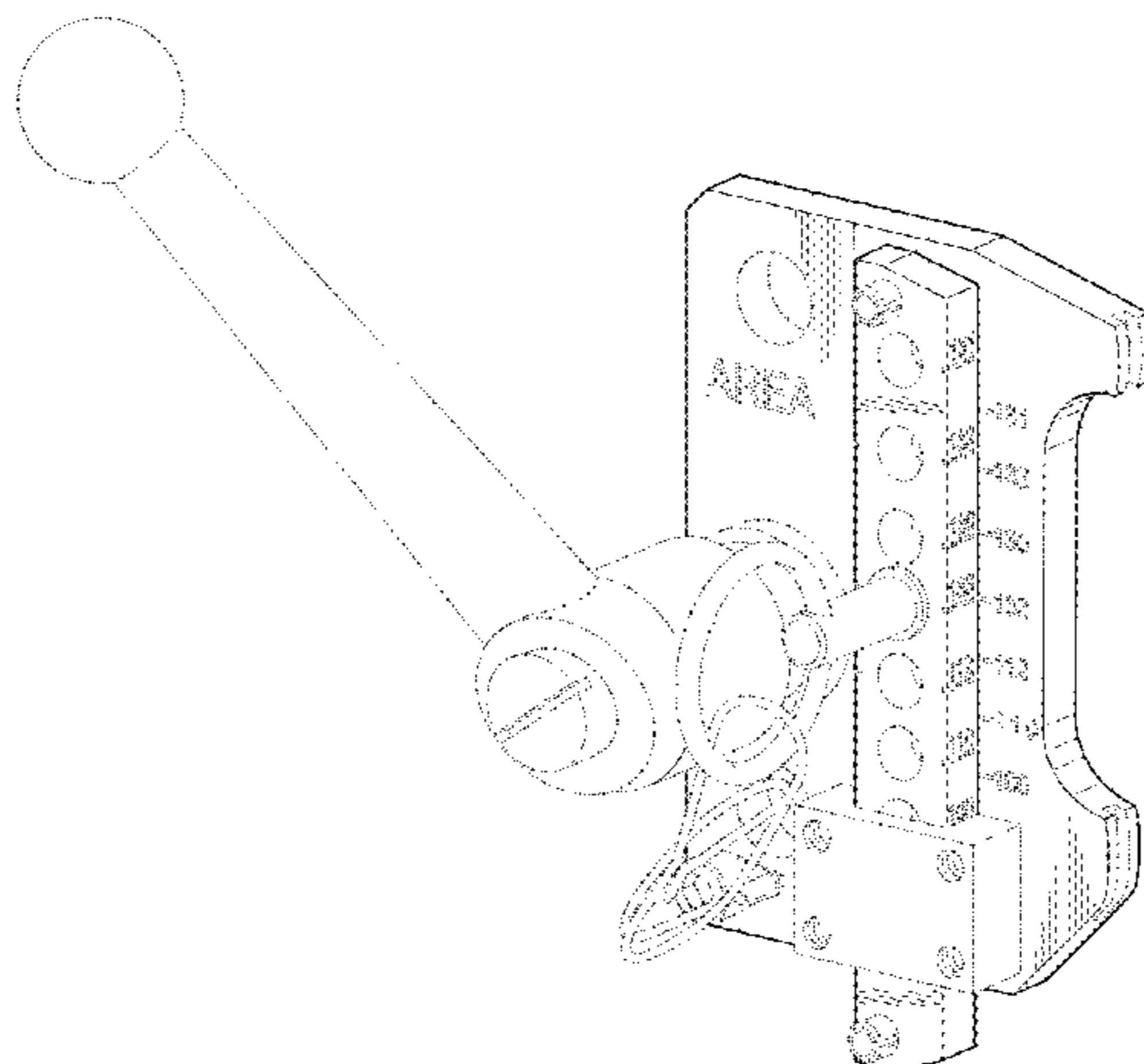
(57) **CLAIM**

The ornamental design for a rail shoe assembly, and components thereof, as substantially shown and described.

DESCRIPTION

FIG. 1 is a perspective view of a rail shoe assembly and components thereof;
FIG. 2 is a front view thereof;
FIG. 3 is a left side view thereof;
FIG. 4 is a right side view thereof;
FIG. 5 is a back view thereof;
FIG. 6 is a top view thereof;
FIG. 7 is a bottom view thereof;
FIG. 8 is a perspective view thereof in use;
FIG. 9 is a front view of the rail shoe of the rail shoe assembly, with the bar of the rail shoe assembly removed for ease of illustration;
FIG. 10 is a right side perspective view of the bar of the rail shoe assembly, with the base of the rail shoe assembly removed for ease of illustration; and,
FIG. 11 is a left side perspective view of the bar of the rail shoe assembly, with the base of the rail shoe assembly removed for ease of illustration.
The broken lines in FIGS. 1 through 11 illustrate environment and form no part of the claimed design. None of the broken lines illustrated in the Figures form a part of the claimed design.

1 Claim, 10 Drawing Sheets



(56)

References Cited

U.S. PATENT DOCUMENTS

1,178,567 A 4/1916 Wuerpel
 1,408,872 A 3/1922 Everett
 1,427,982 A 9/1922 Tegeler
 1,502,339 A 7/1924 Jimerson
 1,695,062 A * 12/1928 Rostron E01B 31/06
 408/61
 1,966,836 A 7/1934 Talboys
 2,014,172 A 9/1935 Forbes et al.
 2,201,032 A 5/1940 Everett
 2,887,908 A 5/1959 Miller
 3,040,656 A * 6/1962 Du Waldt B30B 1/24
 100/231
 3,273,424 A 9/1966 Hughes
 3,706,505 A 12/1972 Stougaard
 3,945,749 A 3/1976 McIlrath
 D258,911 S * 4/1981 Sandel D10/62
 4,349,966 A * 9/1982 Marino B43L 7/00
 30/289
 4,753,556 A 6/1988 Solko
 4,911,587 A 3/1990 Stych
 4,986,156 A * 1/1991 McGinnis B23Q 9/0042
 83/467.1
 D333,627 S * 3/1993 Douglas D10/62
 5,203,650 A 4/1993 McCourtney
 5,348,428 A 9/1994 Turner
 5,409,328 A 4/1995 Noda
 5,924,828 A 7/1999 Lefavour et al.
 5,938,378 A 8/1999 Omi et al.
 D414,669 S * 10/1999 Howard D15/140
 6,256,899 B1 * 7/2001 McGhee B23Q 9/0042
 33/628
 6,264,407 B1 7/2001 Tinken
 D448,687 S * 10/2001 Landwerlen D10/70
 6,782,629 B2 * 8/2004 Jimenez B43L 7/005
 33/483
 D617,355 S * 6/2010 Baratta D15/132
 D617,818 S * 6/2010 Baratta D15/132
 D621,857 S * 8/2010 Baratta D15/132
 D629,026 S * 12/2010 Baratta D15/132
 8,491,235 B2 7/2013 Omi et al.
 D718,155 S * 11/2014 Fang D10/46.2
 D765,526 S * 9/2016 Szczepanski D10/64
 9,434,014 B1 * 9/2016 Krueger E01B 31/06
 D811,908 S * 3/2018 Nethercote D10/71
 2003/0233922 A1 * 12/2003 Makropoulos B23Q 9/0042
 83/574

2004/0151552 A1 * 8/2004 Baratta B23Q 1/015
 408/135
 2010/0290848 A1 * 11/2010 Baratta B25H 1/0064
 408/129
 2011/0027026 A1 * 2/2011 Omi E01B 31/06
 408/76

FOREIGN PATENT DOCUMENTS

EP 0866168 A1 9/1998
 JP 2001252805 A 9/2001
 WO 0230602 A1 4/2002

OTHER PUBLICATIONS

English language abstract and machine-assisted English translation of equivalent JP3873190B for WO 02/30602 extracted from PAJ database on Oct. 9, 2017, 13 pages.
 Dubuis, "DP3AC-2/DP3AC-23 Percuese De Rail", Jan. 2010, 2 pages.
 Dubuis, "DP3TH Percuese De Rail", Jan. 2010, 2 pages.
 English language abstract for DE 102014115123 extracted from espacenet.com database on Oct. 1, 2015, 2 pages.
 Stanley Hydraulics, "Rail Drilling Machine DP3TH/DP3AC-2S", downloaded from <http://stanleyhydraulics.com/products/rail-drilling-machine> on Apr. 27, 2015.
 Trak Star Brochure "Let Our Systems Work for Your System", extracted from—<https://www.yumpu.com/en/document/view/3644424/twister-bits-trak-star-rail-drills> on Dec. 4, 2018, 12 pages.
 Dubuis specification sheet, "Rail Drilling Machine" SNCF Approval No. IMT 07076, extracted from <http://www.dubuis.com/uploads/c2628fc6f458e2fr.pdf>, on Oct. 5, 2015, 2 pages.
 Dubuis specification sheet, "Rail Drilling Machine" SNCF Approval No. IMT 07077, extracted from <http://www.dubuis.com/uploads/c2628fc6f53e2a6d.pdf>, on Oct. 5, 2015, 2 pages.
 Stanley Hydraulic specification sheet, "RD12 Rail Drill", extracted from <http://www.stanleyhydraulics.com/sites/stanleyhydraulic.com/files/pdf/rd12.pdf>, on Dec. 4, 2018, 2 pages.
 Rotabroach manual, "Rhino Petrol Driven Rail Drilling Machine", Model No. RD074, extracted from—<http://www.rotabroach.co.uk/wp-content/uploads/2015/07/Rhino-4-Manual-v7.pdf>, on Dec. 4, 2018, 28 pages.
 Rotabroach manual, "Rhino E Rail Drilling Machine", Model No. CM127/1 CM127/3, extracted from <http://www.rotabroach.co.uk/wp-content/uploads/2015/07/Rhino-E-Manual.pdf>, on Dec. 4, 2018, 24 pages.

* cited by examiner

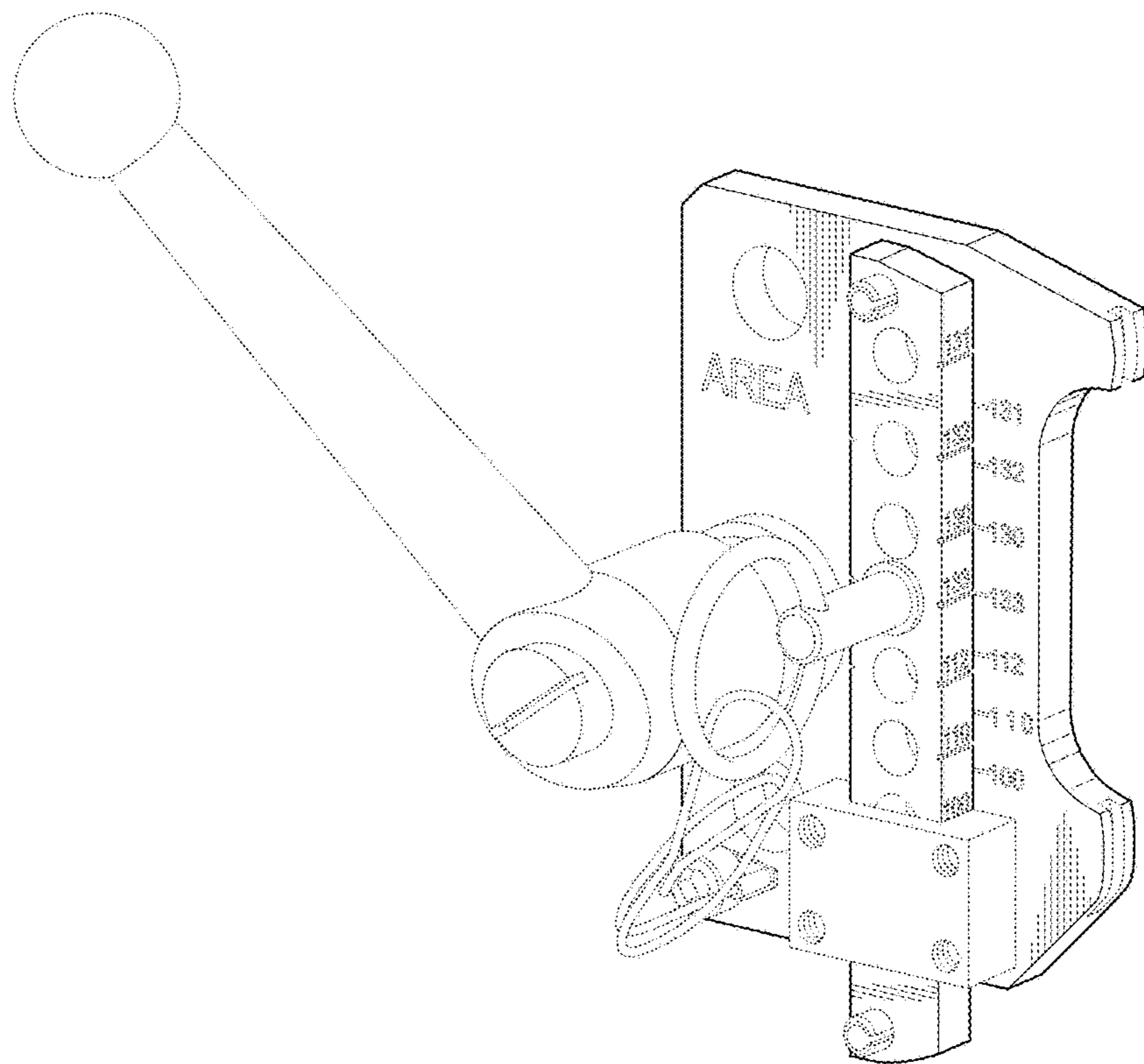


FIG. 1

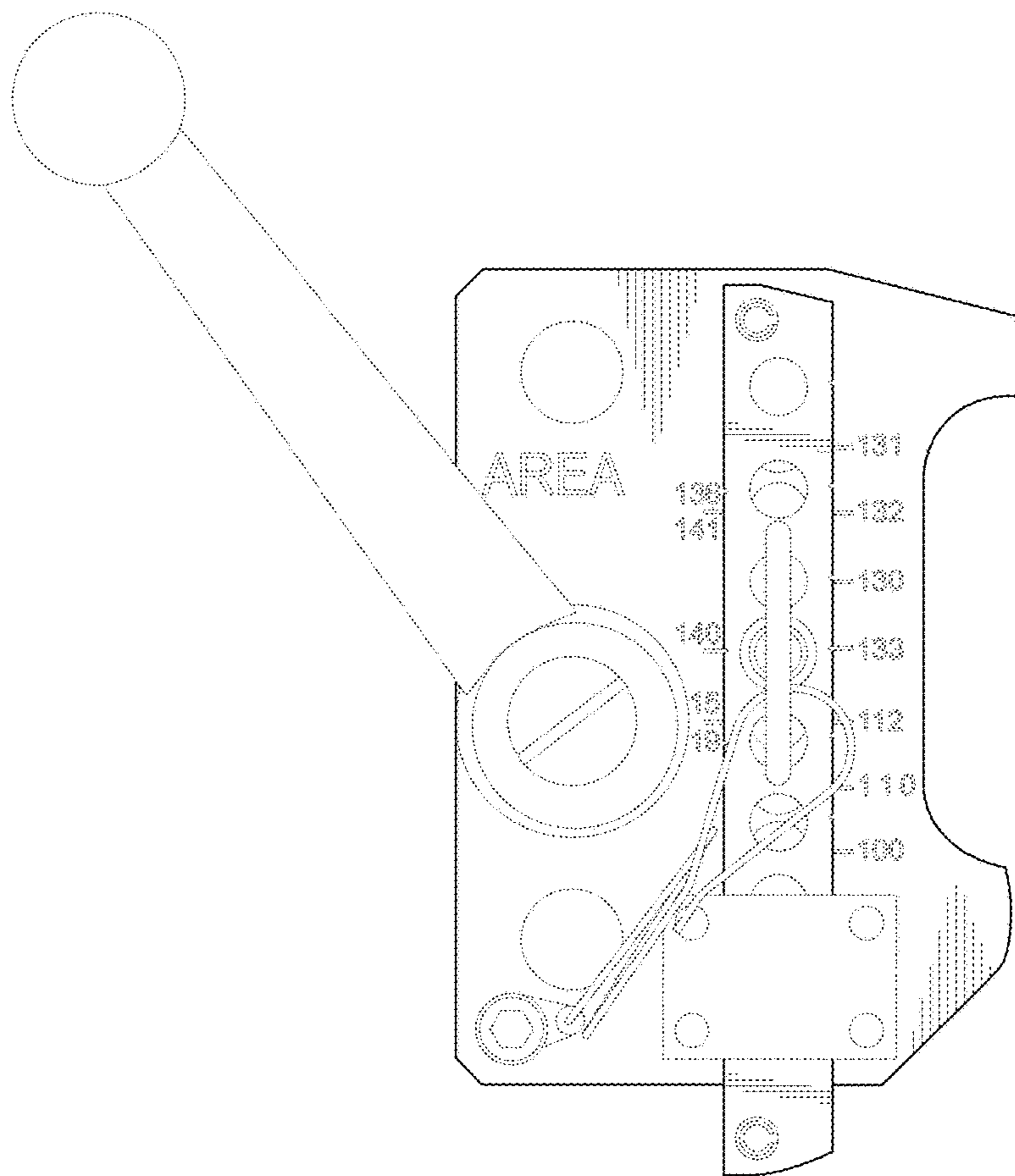


FIG. 2

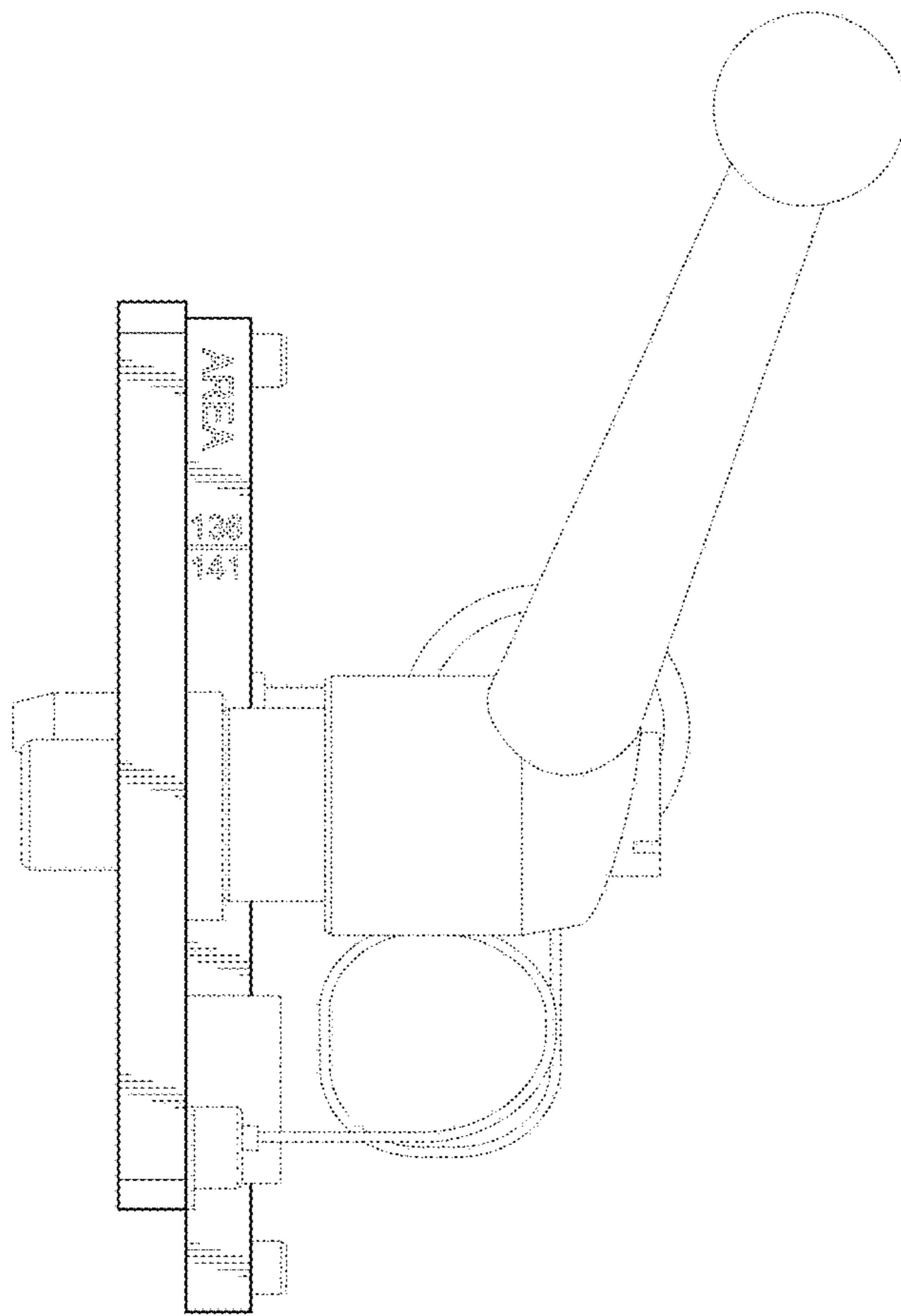


FIG. 3

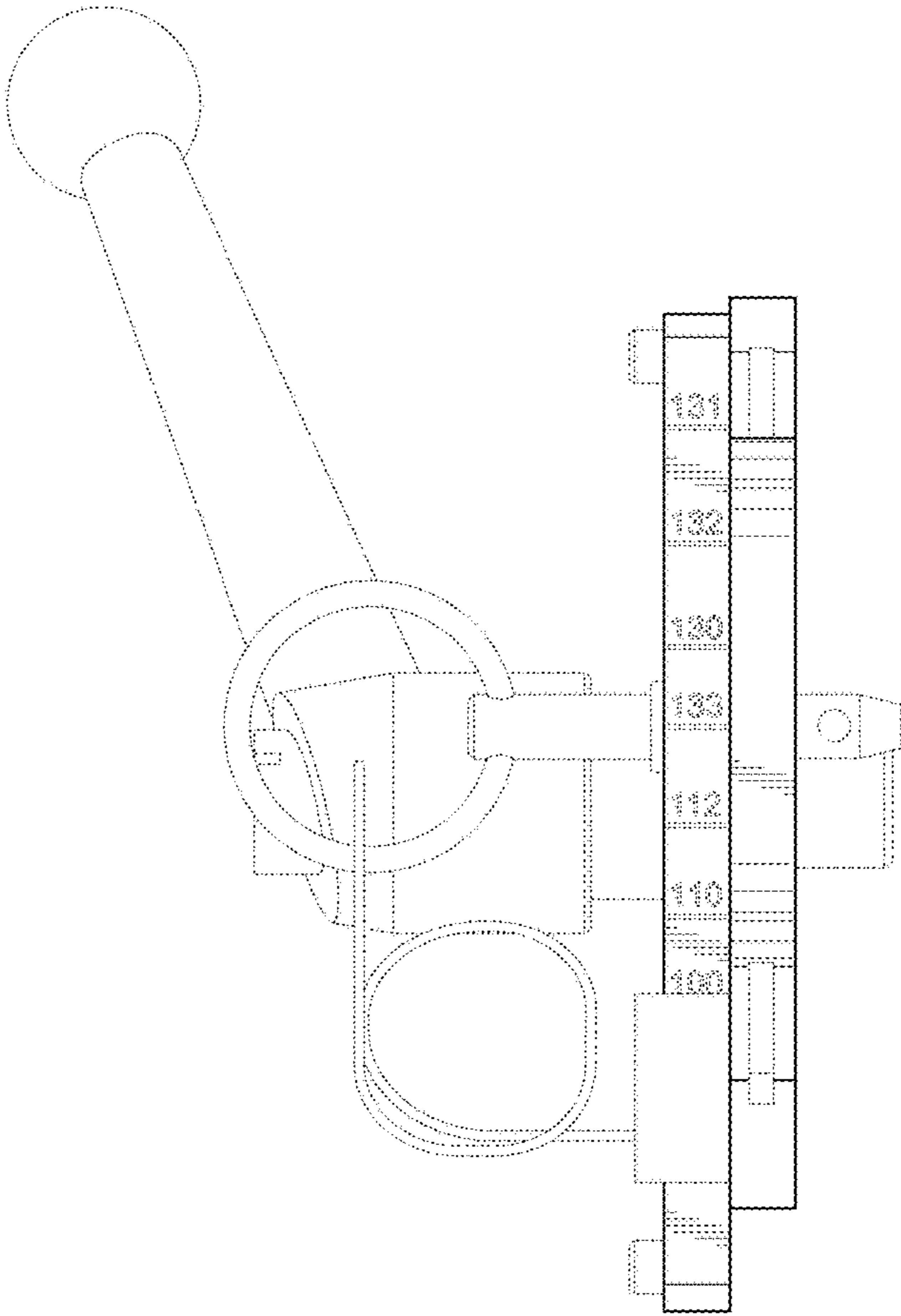


FIG. 4

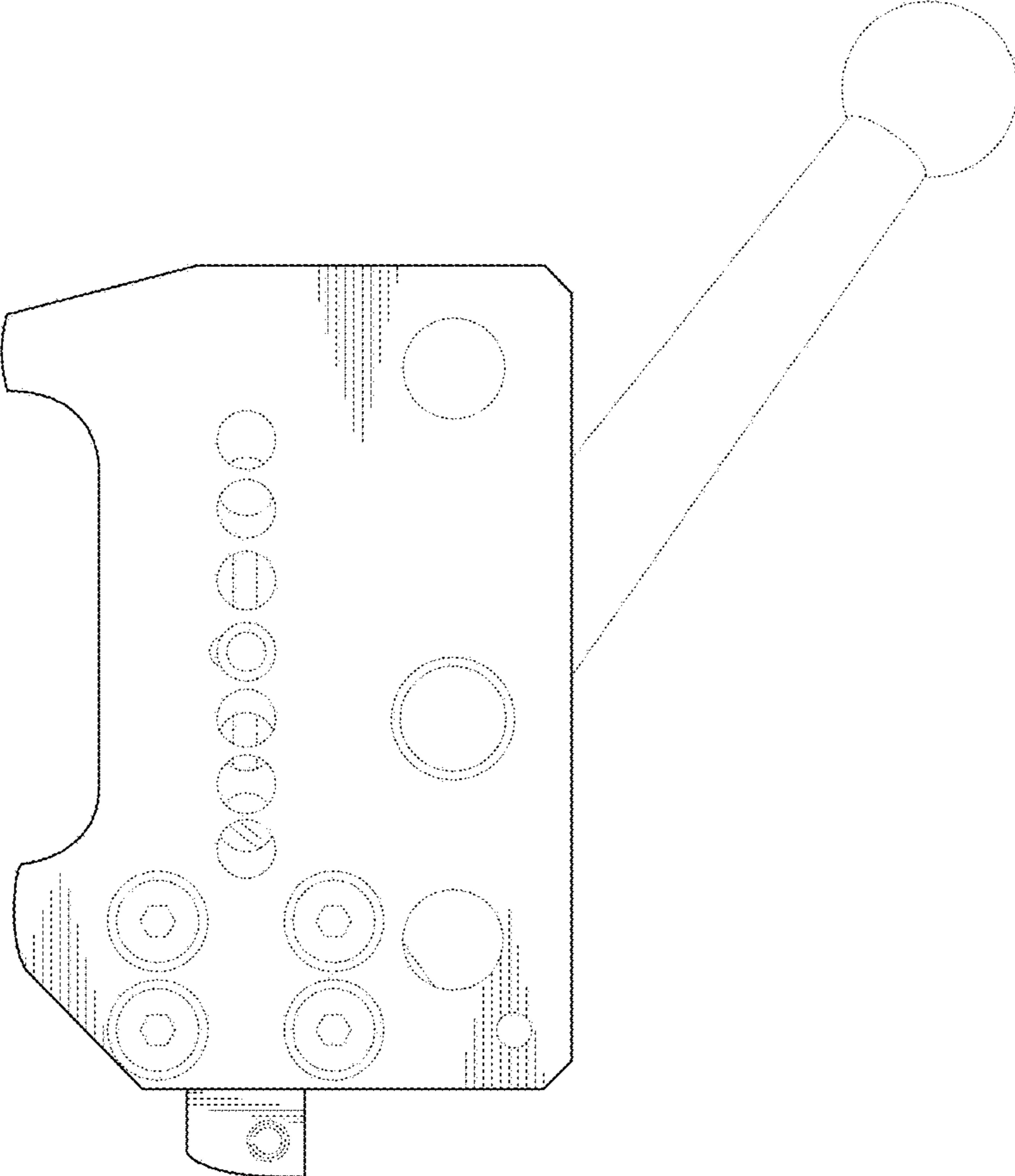


FIG. 5

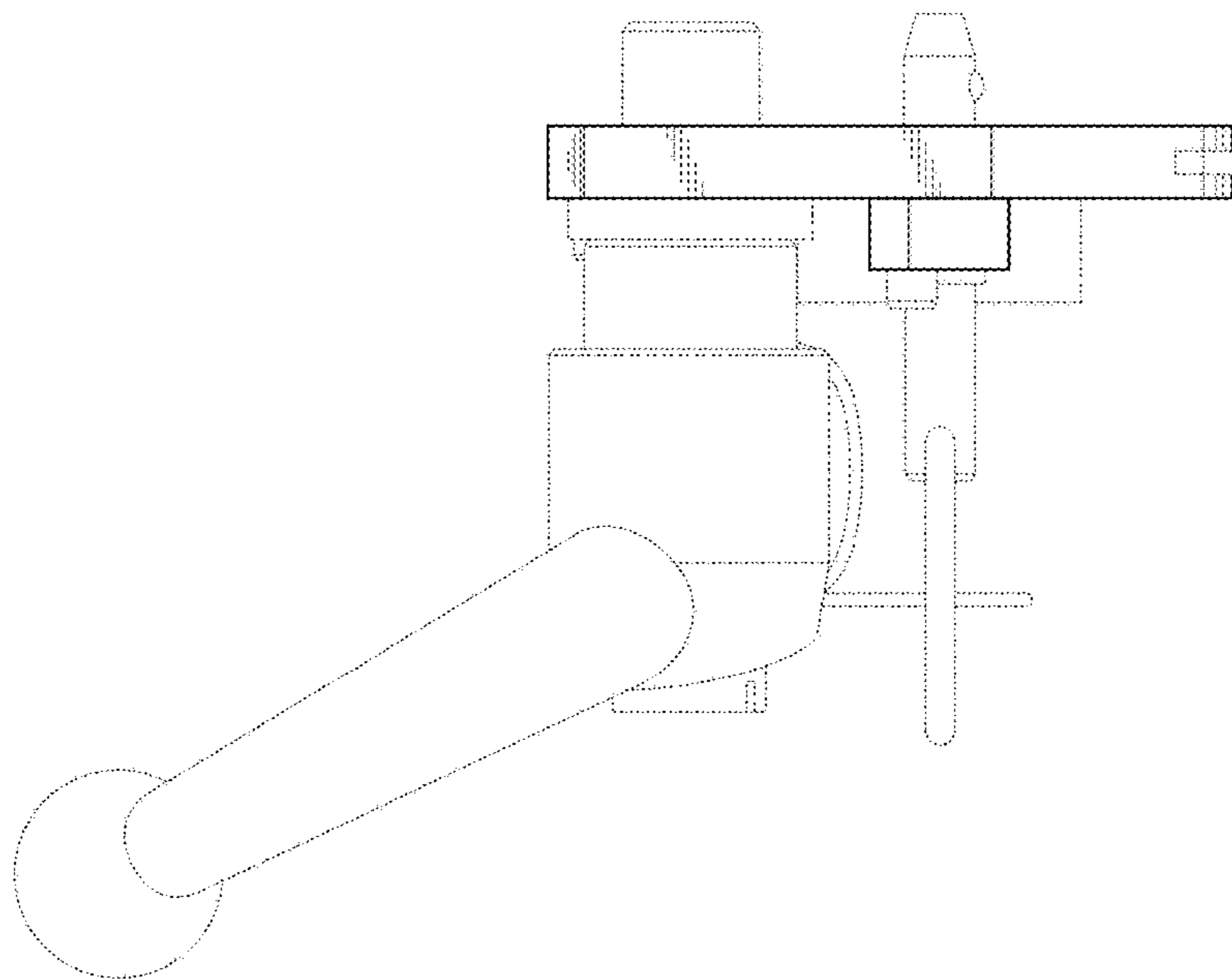


FIG. 6

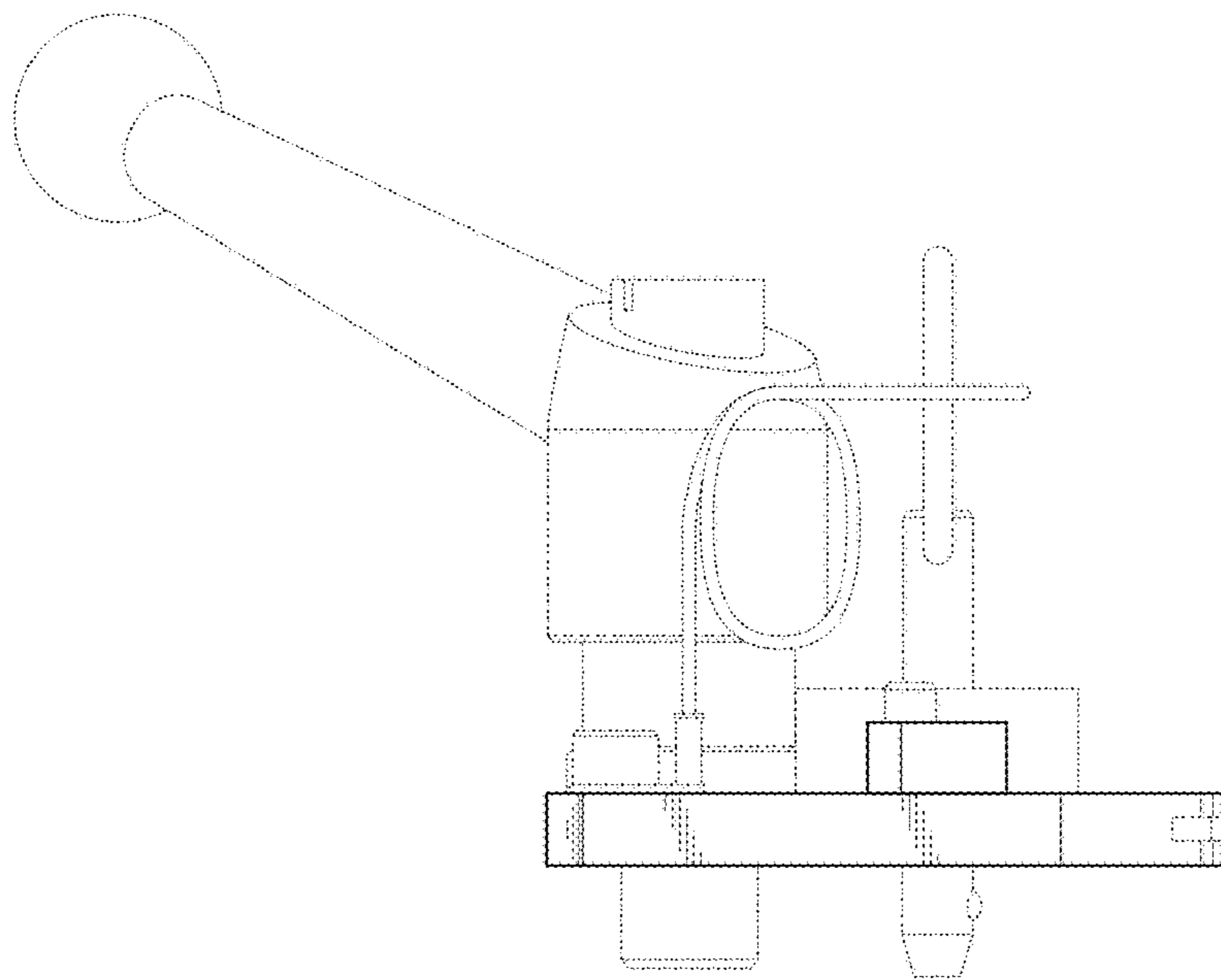


FIG. 7

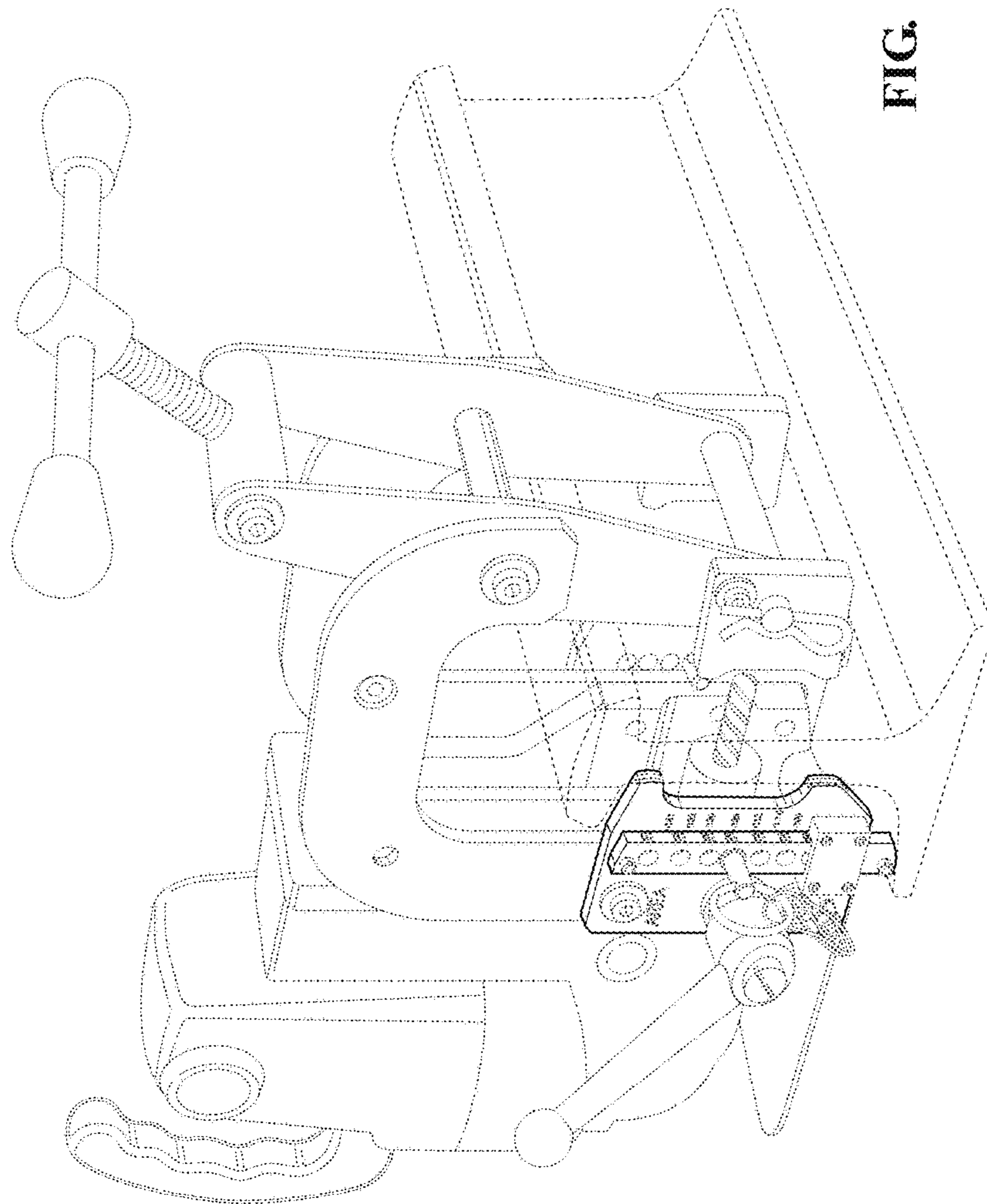


FIG. 8

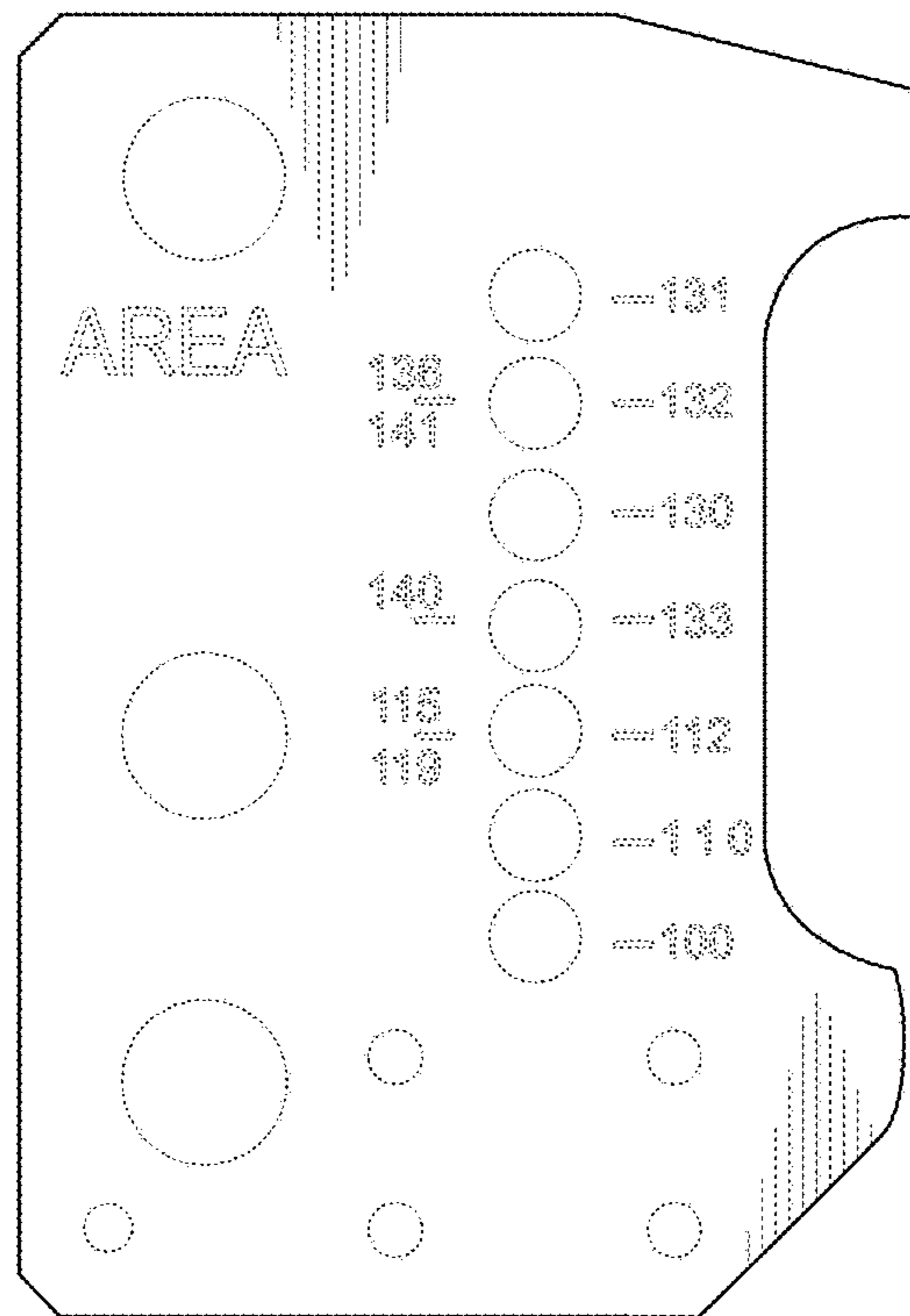


FIG. 9

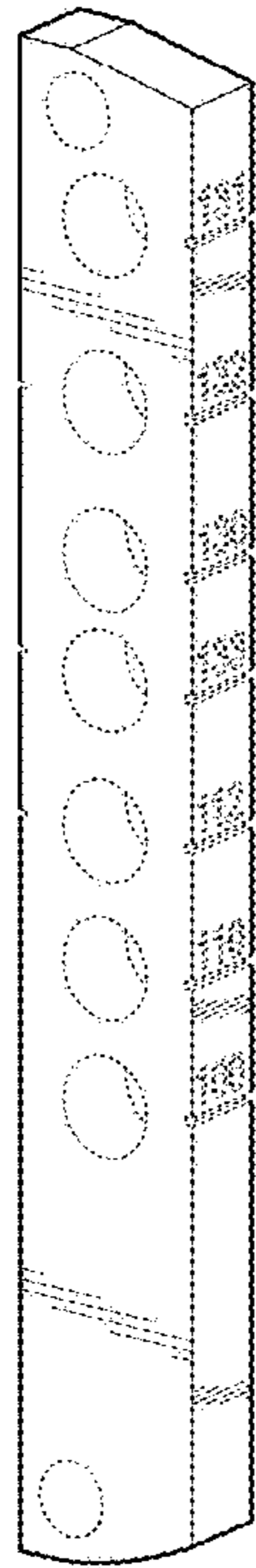


FIG. 10

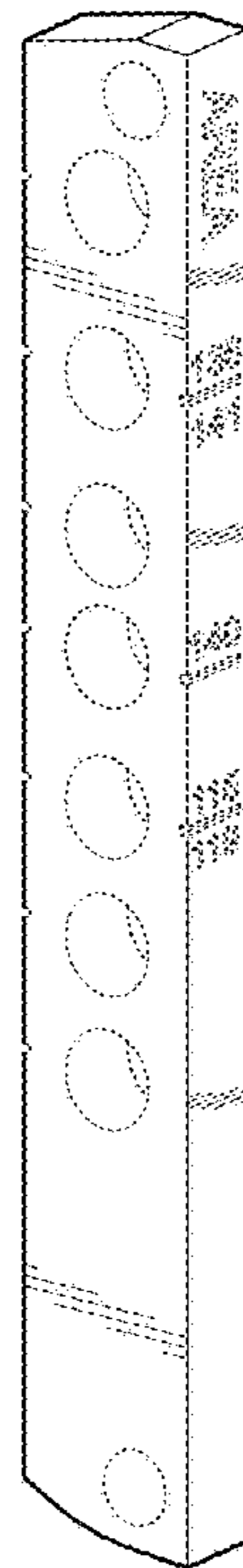


FIG. 11