



US00D863100S

(12) **United States Design Patent**
Zhao

(10) **Patent No.:** **US D863,100 S**
(45) **Date of Patent:** **** Oct. 15, 2019**

(54) **TREE STAND**
(71) Applicant: **Ningbo Flying-Horse International Trade Co., Ltd, Ningbo (CN)**
(72) Inventor: **Honghua Zhao, Ningbo (CN)**
(73) Assignee: **NINGBO FLYING-HORSE INTERNATIONAL TRADE CO., LTD, Ningbo (CN)**
(**) Term: **15 Years**
(21) Appl. No.: **29/626,549**

3,661,349 A * 5/1972 De Vries A47G 33/1213
248/179.1
D232,791 S * 9/1974 Schulz D11/130.1
3,838,838 A * 10/1974 Seaman, Jr. A47G 33/12
248/188.7
D234,991 S * 4/1975 Olivier D11/130.1
4,261,138 A * 4/1981 St. George Syms .. A47G 33/12
248/523
4,496,129 A * 1/1985 Waterman A47G 33/1206
248/527
4,571,882 A * 2/1986 Capen A47G 33/1226
248/524
D287,831 S * 1/1987 Stephan D11/130.1
D297,520 S * 9/1988 Thomas D11/130.1
4,825,586 A * 5/1989 Coppedge A47G 33/12
248/523

(22) Filed: **Nov. 17, 2017**
(51) **LOC (12) Cl.** **06-99**
(52) **U.S. Cl.**
USPC **D11/130.1**
(58) **Field of Classification Search**
USPC ... D11/117, 121, 130, 130.1, 131, 143, 144,
D11/152, 153, 154; 428/7, 8, 9, 12, 15,
428/19, 20; 248/519, 523-526; 47/39,
47/40.5, 41.1, 41.11-41.15, 42, 43
CPC . E04H 12/2238; E04H 12/3346; A47G 33/12;
A47G 33/1206; A47G 33/1213; A47G
33/1226; A47G 22/1246; A47G 33/126
See application file for complete search history.

(Continued)

Primary Examiner — Elizabeth J Oswecki
(74) *Attorney, Agent, or Firm* — Muncy, Geissler, Olds & Lowe, P.C.

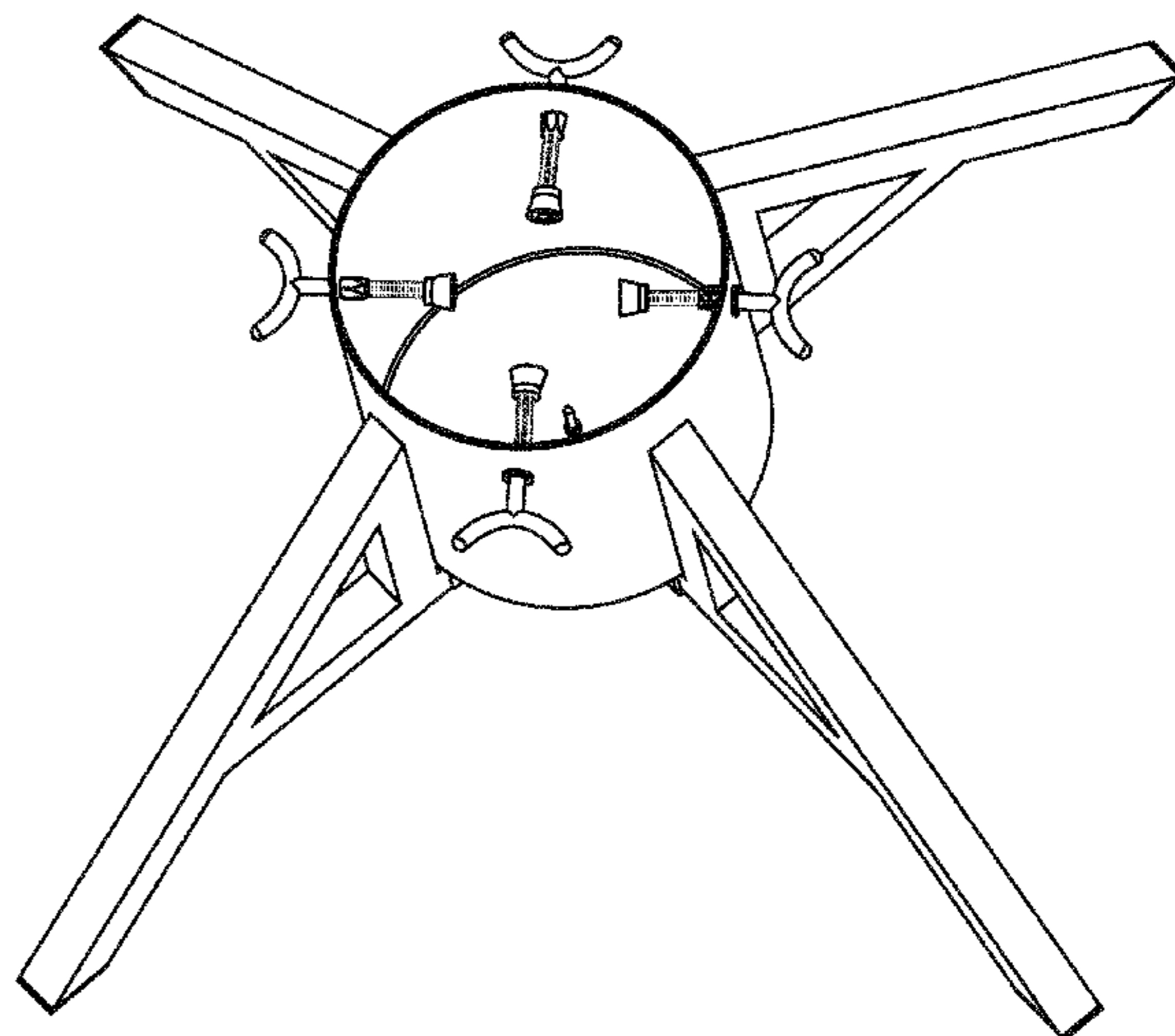
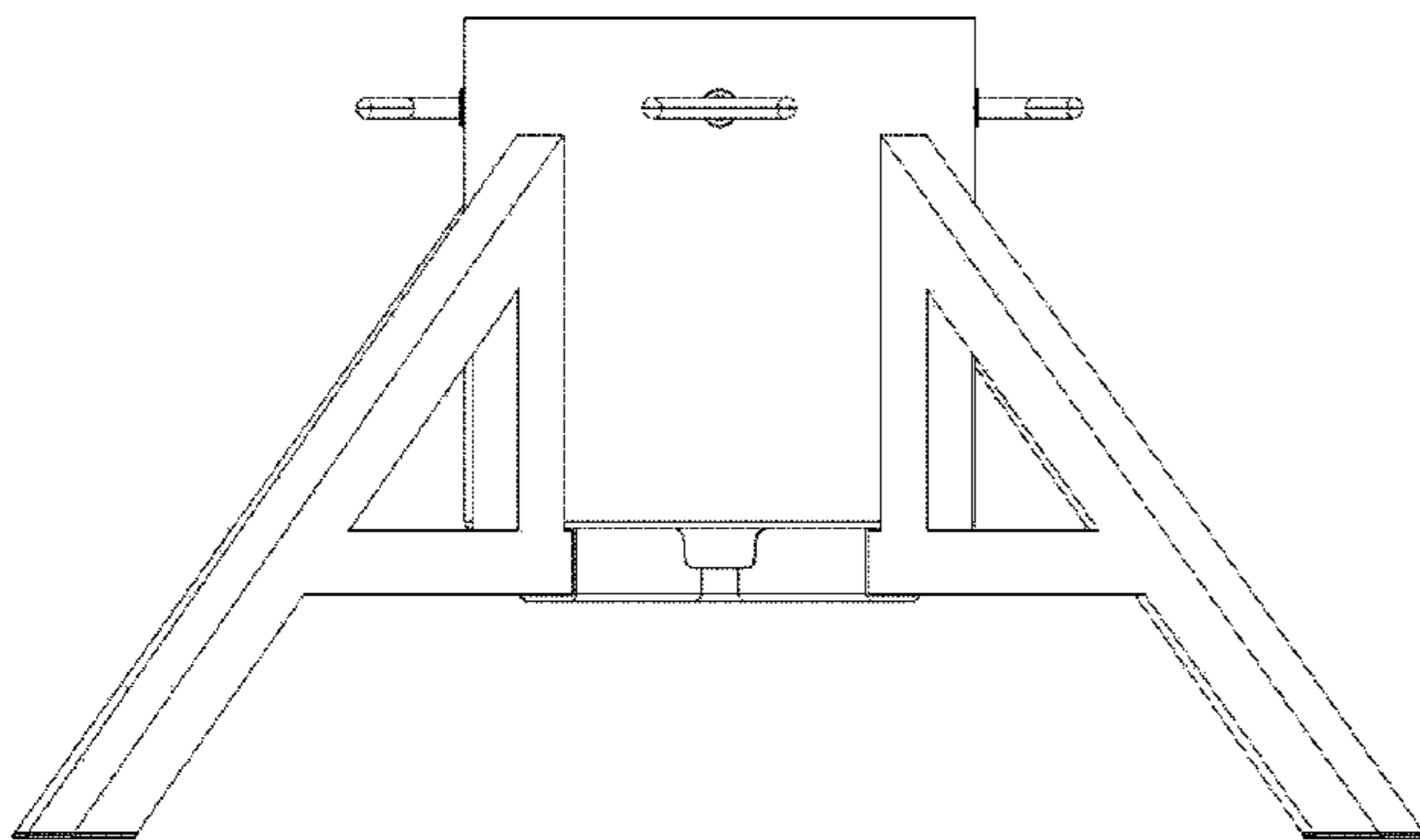
(56) **References Cited**
U.S. PATENT DOCUMENTS
D65,750 S * 10/1924 Lundmark D11/130.1
2,933,274 A * 4/1960 Mausolf A47G 33/1226
248/524
D189,100 S * 10/1960 Berning D11/130.1
3,073,558 A * 1/1963 De Klotz A47G 33/12
248/527
3,142,464 A * 7/1964 Zelenitz A47G 33/1226
248/151
3,411,740 A * 11/1968 Schulz A47G 33/12
248/151

(57) **CLAIM**
The ornamental design for a tree stand, as shown and described.

DESCRIPTION

FIG. 1 is a front elevation view of a tree stand showing my new design;
FIG. 2 is a rear elevation view thereof;
FIG. 3 is a left side elevation view thereof;
FIG. 4 is a right side elevation view thereof;
FIG. 5 is a top plan view thereof;
FIG. 6 is an enlarged portion view taken from encircled portion labeled, "FIG. 6," in FIG. 5;
FIG. 7 is a bottom plan view thereof; and,
FIG. 8 is a perspective view thereof.
The broken line showing is for the purpose of illustrating portions of the tree stand which form no part of the claimed design.

1 Claim, 8 Drawing Sheets



(56)

References Cited

U.S. PATENT DOCUMENTS

4,895,339 A * 1/1990 Yang A47G 33/126
248/522

4,913,395 A * 4/1990 Juhas A47G 33/1226
248/516

D318,634 S * 7/1991 Tobin D11/130.1

D329,208 S * 9/1992 Bowling D11/130.1

D330,875 S * 11/1992 Boucher D11/130.1

D343,593 S * 1/1994 Lawrence D11/130.1

5,337,990 A * 8/1994 Brown A47G 33/12
248/526

D370,185 S * 5/1996 Grimm D11/130.1

D381,598 S * 7/1997 Roberts D11/130.1

D382,227 S * 8/1997 Adams D11/130.1

5,725,193 A * 3/1998 Adams A01G 9/124
248/523

D403,980 S * 1/1999 Conway D11/130.1

5,938,168 A * 8/1999 Adams A47G 33/12
248/523

D418,082 S * 12/1999 Baumann D11/130.1

D449,560 S * 10/2001 Krinner D11/130.1

D451,839 S * 12/2001 Pomeroy D11/130.1

D480,014 S * 9/2003 Goerke D11/130.1

D497,832 S * 11/2004 Glover D11/130.1

D503,357 S * 3/2005 Tsai D11/130.1

D513,081 S * 12/2005 Goerke D26/9

D676,353 S * 2/2013 Bycraft D11/130.1

8,490,328 B1 * 7/2013 Glover A47G 33/1213
47/40.5

D749,280 S * 2/2016 Bailey D32/14

D807,225 S * 1/2018 Zhao D11/130.1

D814,721 S * 4/2018 Bailey D32/14

D825,375 S * 8/2018 Zhao D11/130.1

D831,531 S * 10/2018 Zhao D11/130.1

* cited by examiner

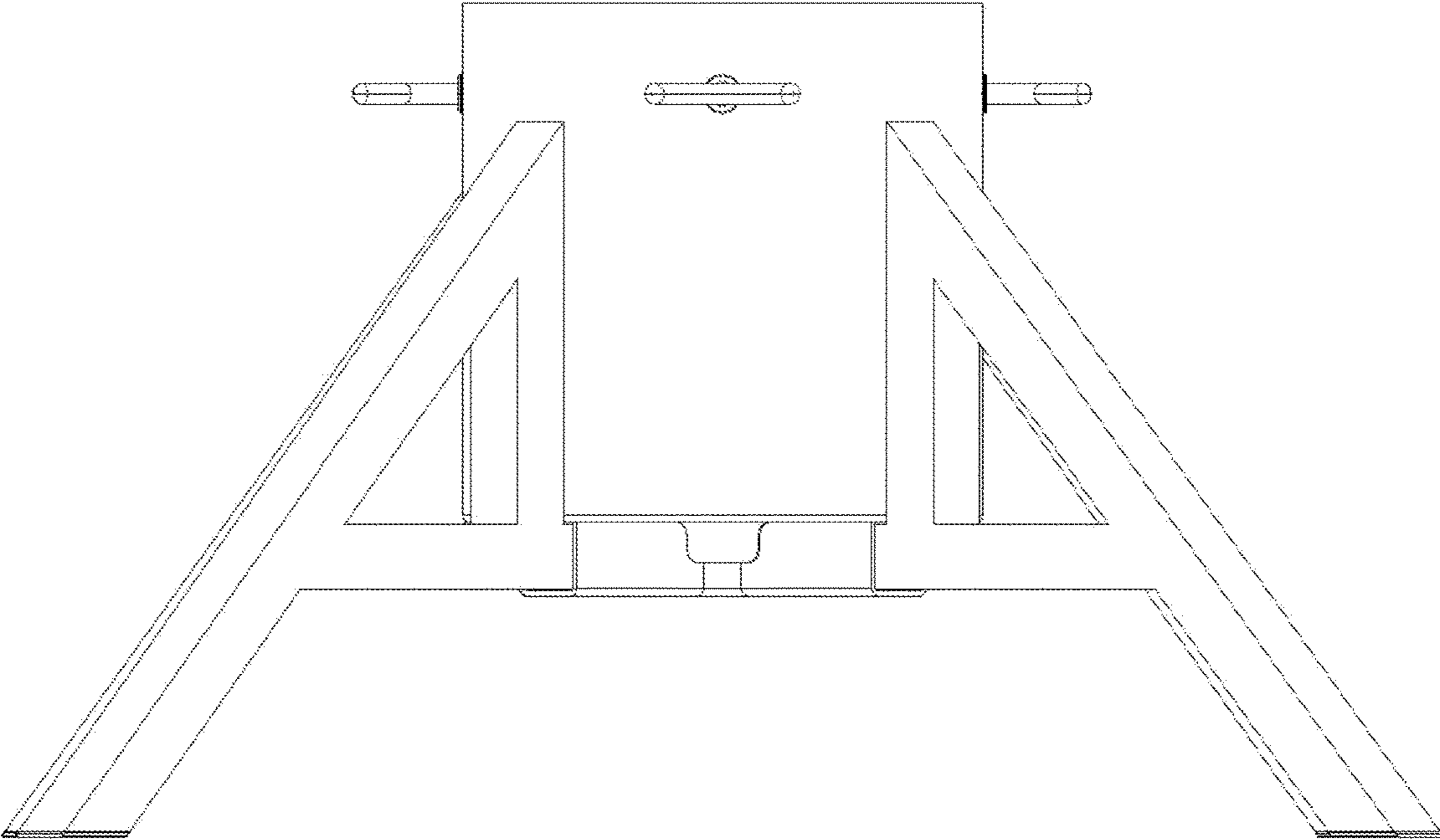


FIG. 1

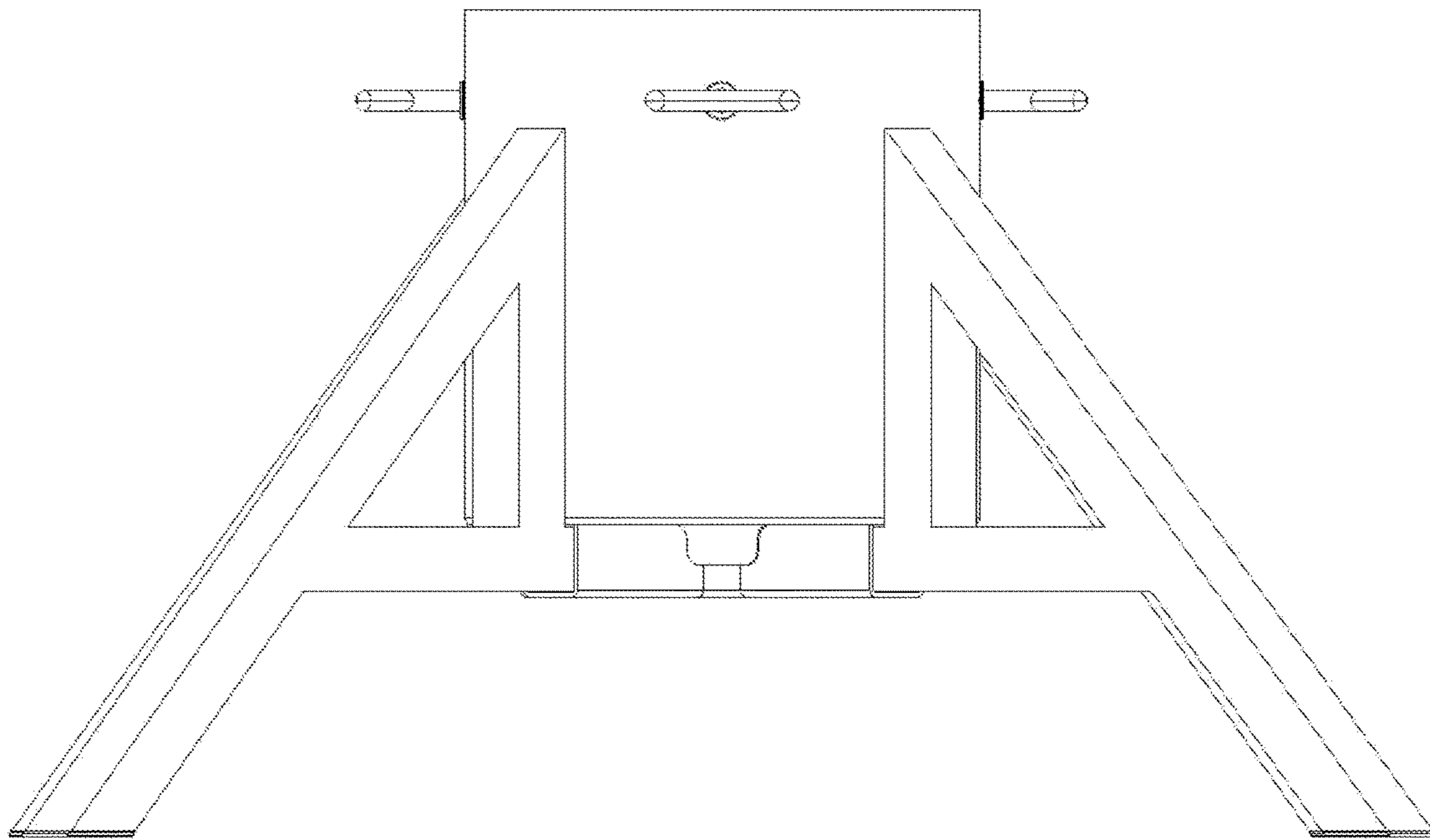


FIG. 2

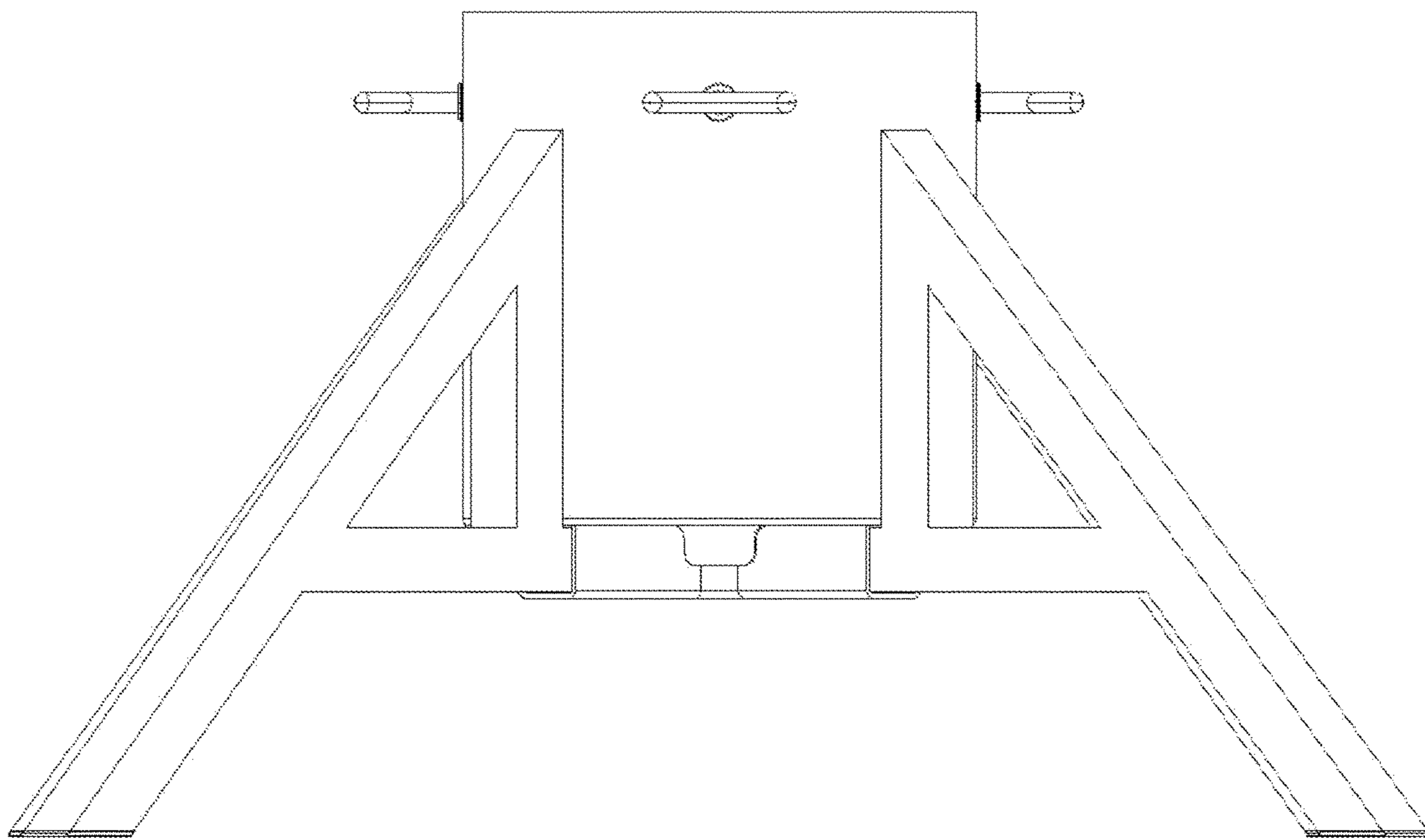


FIG. 3

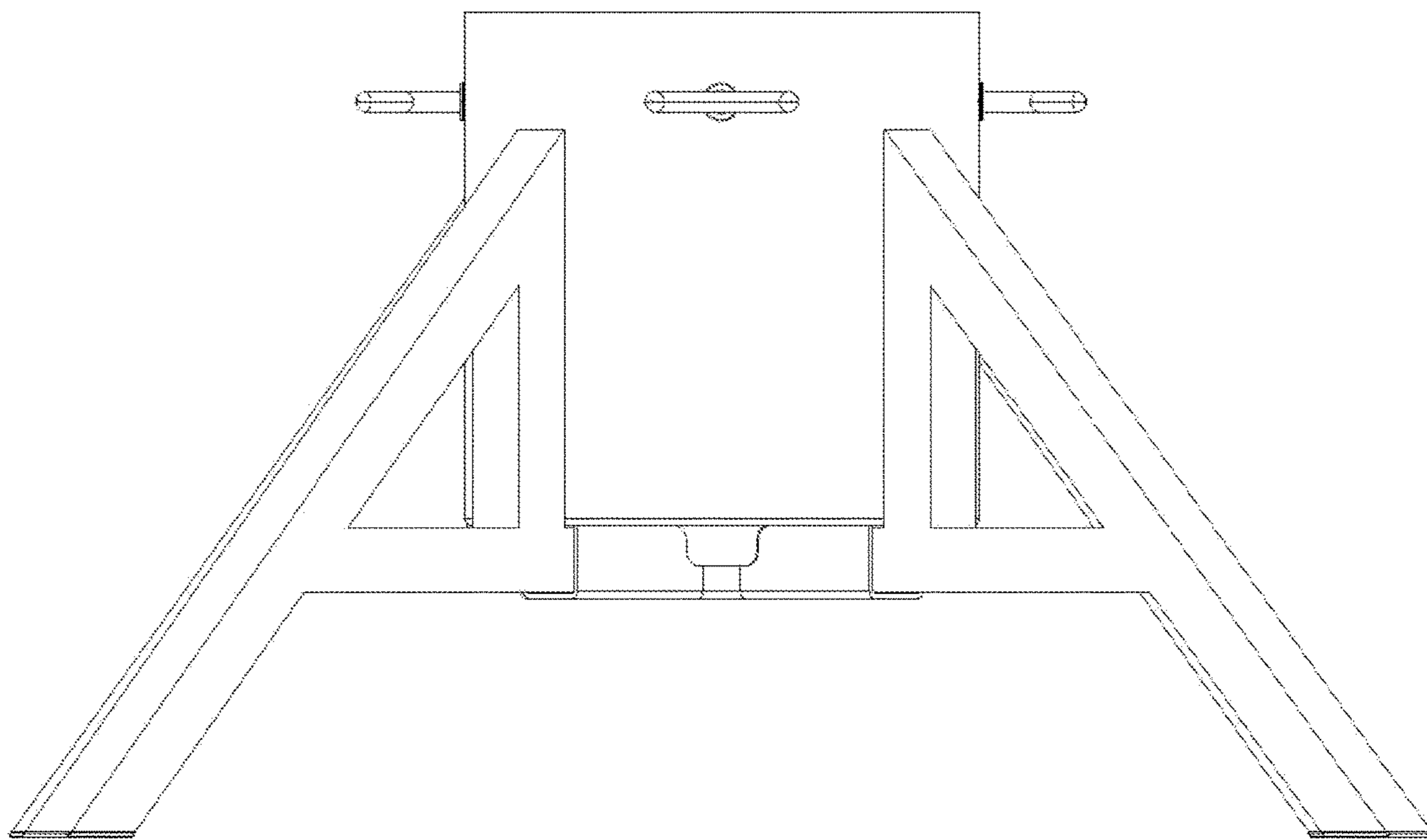


FIG. 4

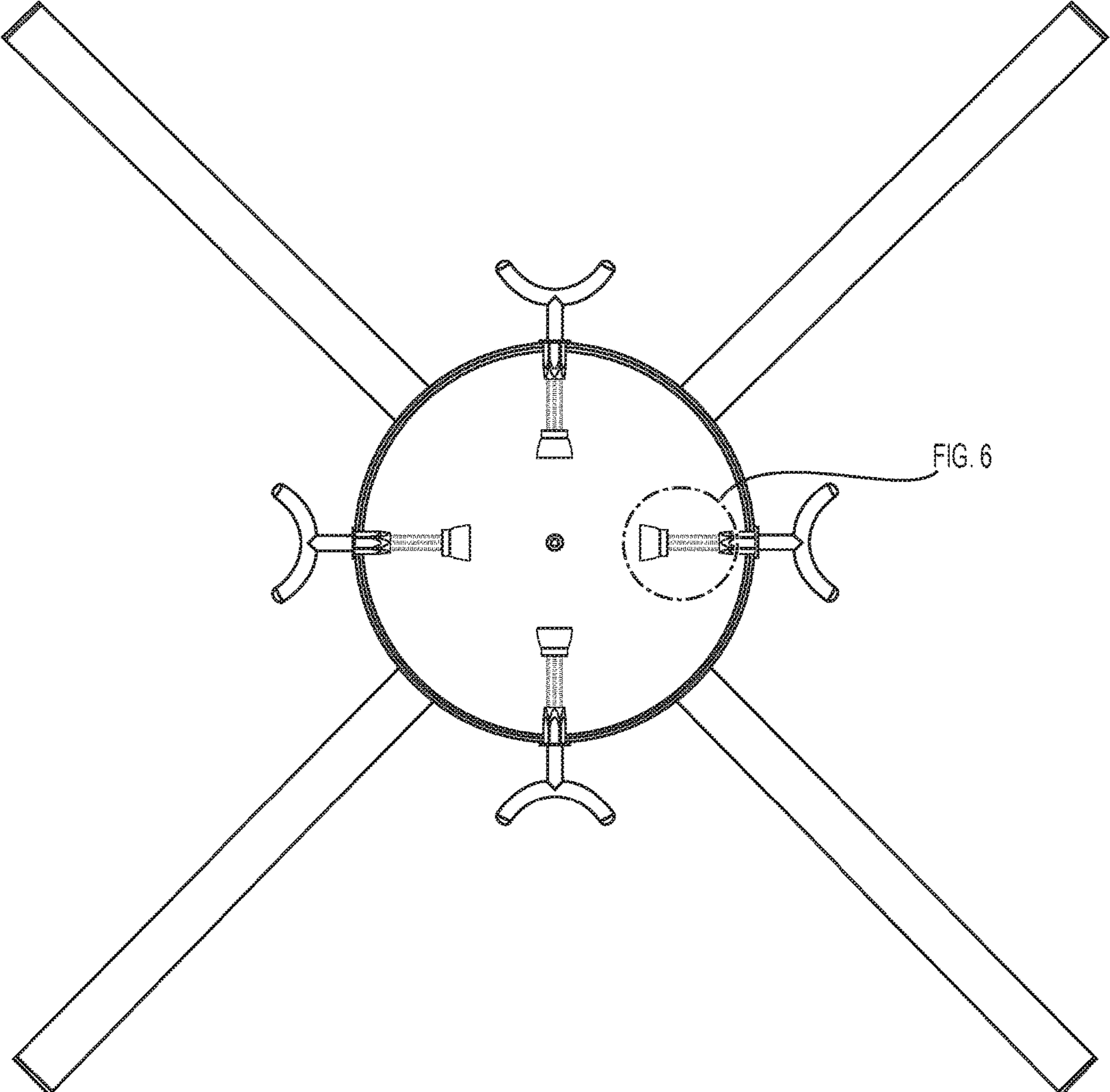


FIG. 5

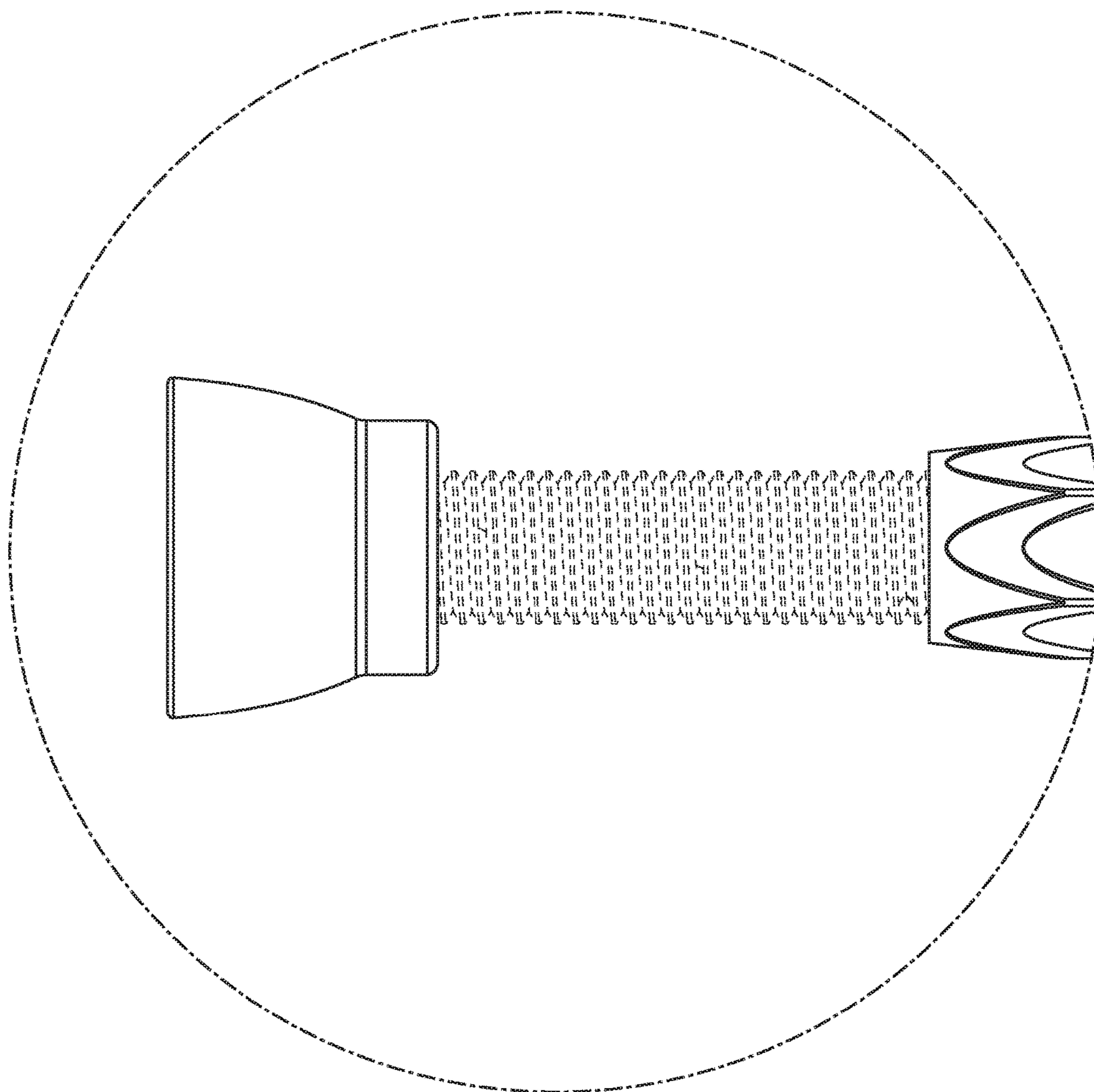


FIG. 6

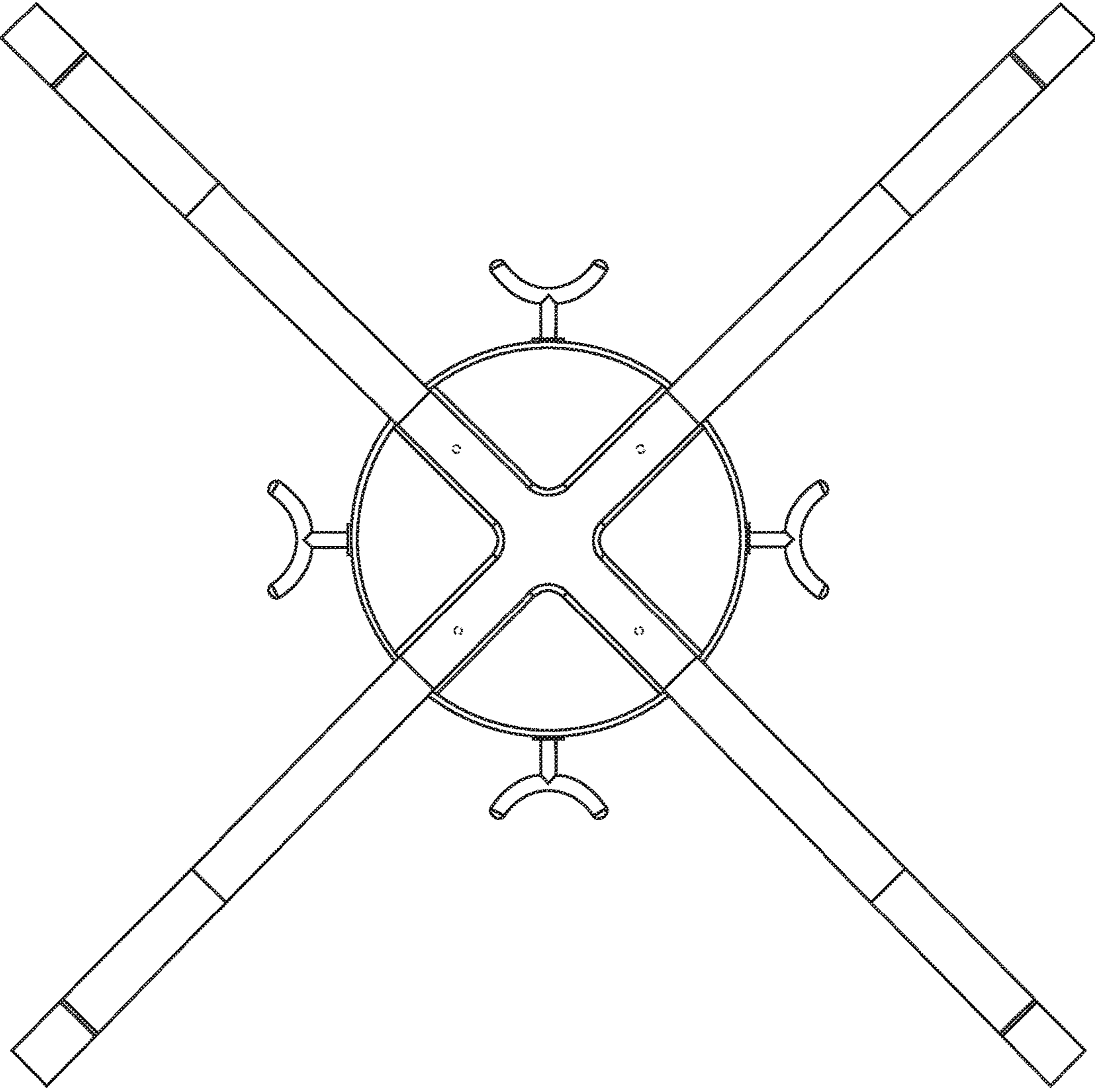


FIG. 7

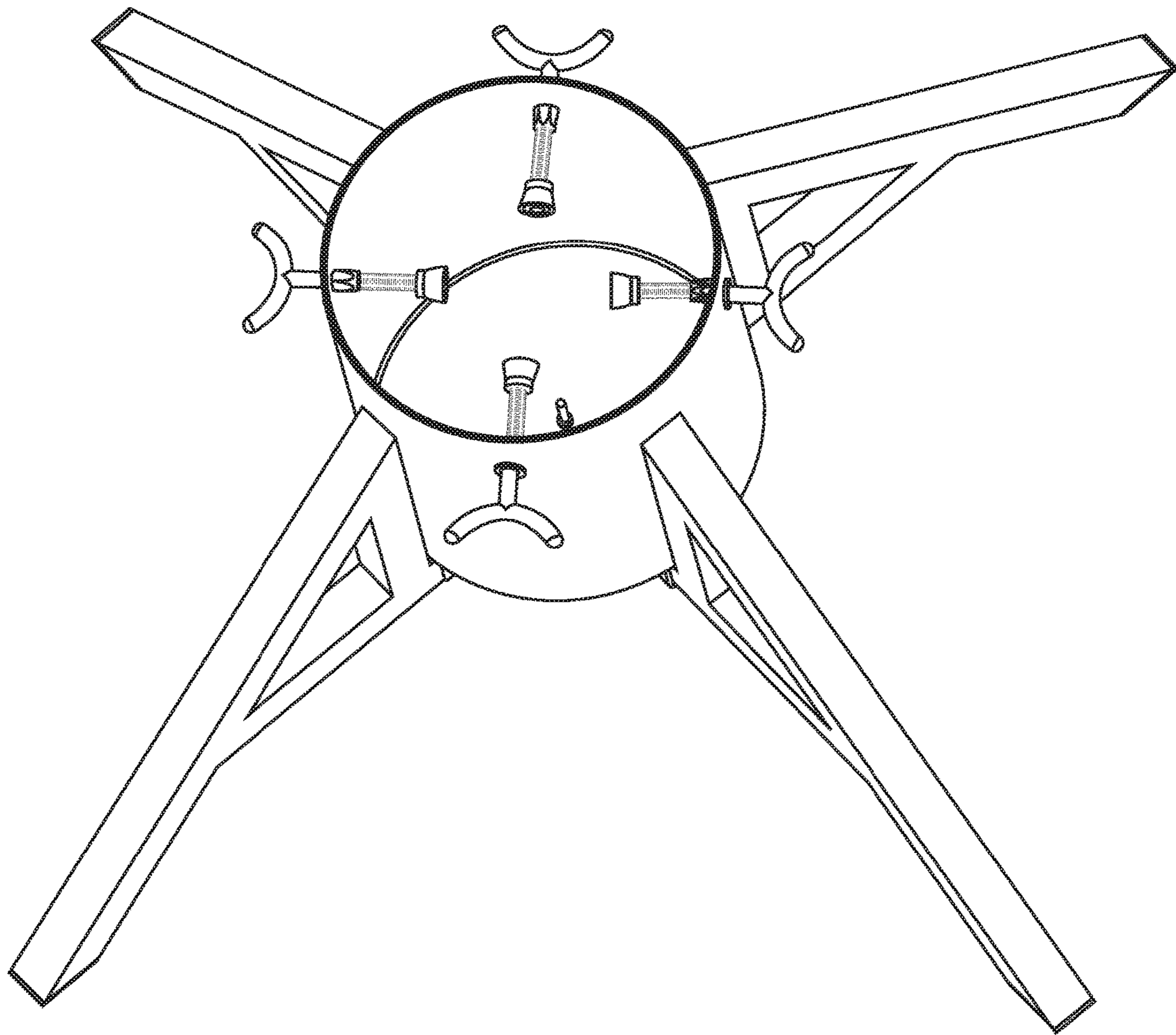


FIG. 8