

US00D863099S

(12) **United States Design Patent**
Joshi

(10) **Patent No.:** **US D863,099 S**
(45) **Date of Patent:** **** Oct. 15, 2019**

(54) **ADJUSTABLE RING ARM**
(71) Applicant: **Jewelex New York, Ltd.**, New York,
NY (US)
(72) Inventor: **Shashikant Dhaku Joshi**, Thane (IN)
(73) Assignee: **JEWELX NEW YORK, LTD.**, New
York, NY (US)
(**) Term: **15 Years**

1,152,340 A * 8/1915 Obsboun A44C 9/00
63/15.7
1,754,392 A * 4/1930 Levin A44C 9/02
63/15.6
1,809,045 A * 6/1931 Kraft A44C 9/02
63/15.6
D163,451 S * 5/1951 Fass D11/4
2,817,219 A * 12/1957 Campbell A44C 9/02
D11/86
3,168,768 A * 2/1965 Bohlinger A44C 5/209
D11/87

(Continued)

(21) Appl. No.: **29/700,296**
(22) Filed: **Aug. 1, 2019**

Related U.S. Application Data

(62) Division of application No. 29/681,431, filed on Feb.
26, 2019.
(51) **LOC (12) Cl.** **11-01**
(52) **U.S. Cl.**
USPC **D11/86; D11/26**
(58) **Field of Classification Search**
USPC D11/3-5, 26-43, 45, 79, 86, 87; D7/633;
D8/354, 355, 356, 381; D6/546;
D26/61, 155
CPC .. A44C 5/00; A44C 7/00; A44C 7/002; A44C
7/004; A44C 9/00; A44C 9/0007; A44C
9/0015; A44C 9/0023; A44C 9/003; A44C
9/0038; A44C 9/0046; A44C 9/0053;
A44C 9/0061; A44C 9/0069; A44C
9/0076; A44C 15/001; A44C 17/02; A44C
17/0208; A44C 17/0216; A44C 17/0225;
A44C 17/0233; A44C 17/0241; A44C
17/025; A44C 17/0258
See application file for complete search history.

(56) **References Cited**

U.S. PATENT DOCUMENTS

135,712 A * 2/1873 Jenks A45C 11/324
D11/26
300,286 A * 6/1884 Salisbury A44C 5/12
D11/4

OTHER PUBLICATIONS

U.S. Appl. No. 29/681,431, filed Feb. 26, 2019.

Primary Examiner — Michael A. Pratt
Assistant Examiner — Wendy L Arminio
(74) *Attorney, Agent, or Firm* — Andrew F. Young, Esq.;
Lackenbach Siegel, LLP

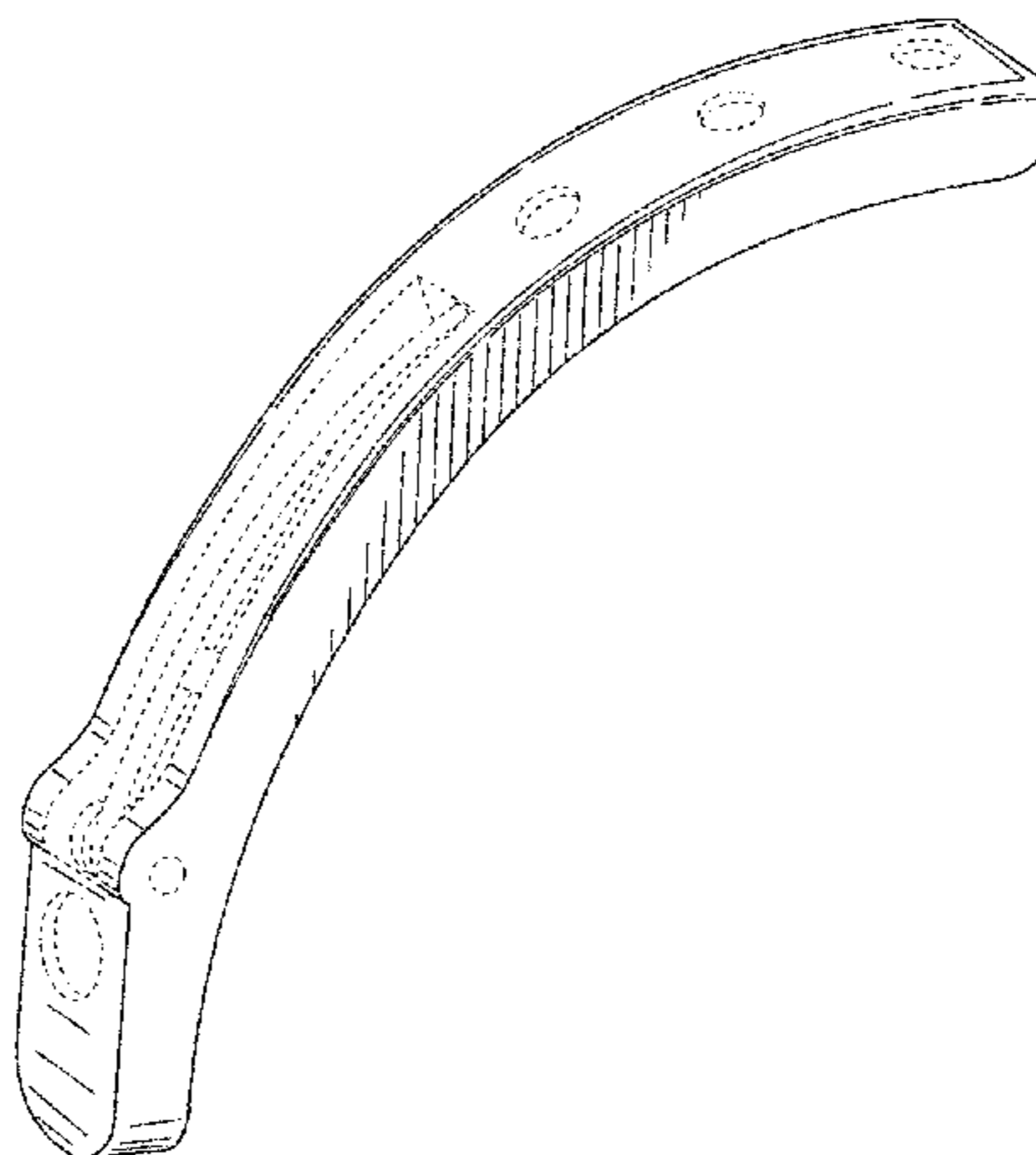
(57) **CLAIM**

The ornamental design for an adjustable ring arm, as shown
and described.

DESCRIPTION

FIG. 1 is a front top perspective view of an adjustable ring
arm showing my new design.
FIG. 2 is a bottom perspective view thereof.
FIG. 3 is a front elevation view thereof.
FIG. 4 is a rear elevation view thereof.
FIG. 5 is a right side elevation view thereof.
FIG. 6 is a left side elevation view thereof.
FIG. 7 is a top plan view thereof; and,
FIG. 8 is a bottom plan view thereof.
The broken lines depict portions of the adjustable ring arm
that form no part of the claimed design.

1 Claim, 6 Drawing Sheets



(56)

References Cited

U.S. PATENT DOCUMENTS

3,221,514 A *	12/1965	Newman	A44C 9/02	D11/27	D423,393 S *	4/2000	Morris	D11/26
3,238,741 A *	3/1966	Johnson	A44C 9/02	D11/86	6,672,105 B1	1/2004	Sills		
3,423,956 A *	1/1969	Manne	A44C 9/02	D11/26	6,748,764 B1	6/2004	Roemer		
3,609,993 A *	10/1971	Graf	A44C 9/02	63/15.65	7,073,351 B2	7/2006	Baum et al.		
3,736,770 A *	6/1973	Kelrick	A44C 9/02	63/15.7	D530,237 S *	10/2006	Low	D11/26
4,471,634 A	9/1984	Kaplan				7,150,164 B2	10/2006	Sills		
4,697,437 A *	10/1987	D'Annunzio	A44C 9/02	63/15.5	7,225,639 B2	6/2007	Flaviano		
4,753,087 A	6/1988	D'Annunzio				D560,135 S *	1/2008	Kohl	D11/26
4,790,148 A *	12/1988	Faini	A44C 9/0038	24/574.1	7,409,836 B2	8/2008	Czajka et al.		
4,991,409 A *	2/1991	Creates	A44C 9/0046	63/15.7	7,430,879 B2	10/2008	Czajka et al.		
5,131,243 A *	7/1992	Coleman	A44C 9/02	63/15.5	7,571,623 B2	8/2009	Kretchner et al.		
5,136,858 A *	8/1992	Bruner	A44C 5/2042	24/650	D600,585 S *	9/2009	Fox	D11/26
5,186,023 A *	2/1993	Goldberg	A44C 9/0038	63/15.5	D604,193 S *	11/2009	Kohl	D11/26
5,239,842 A *	8/1993	Gesensway	A44C 9/02	63/15.6	7,845,191 B2	12/2010	Czajka et al.		
5,253,491 A	10/1993	Buontempo et al.				7,861,554 B2	1/2011	Czajka et al.		
D367,477 S *	2/1996	Rosen	D8/354		D682,662 S *	5/2013	Bailey	D8/354
5,636,531 A *	6/1997	Miller	A44C 9/02	63/15.6	D719,053 S *	12/2014	Nisguretsky	D11/86
6,003,334 A	12/1999	Miller				9,314,070 B2	4/2016	Koc et al.		
						D766,234 S *	9/2016	Francis	D11/86
						D832,130 S *	10/2018	Bostic	D11/4
						D833,904 S *	11/2018	Allard	D11/3
						D853,268 S *	7/2019	Salaskar	D11/88
						2002/0178749 A1 *	12/2002	Katano	A44C 9/02
										63/15.7
						2003/0177787 A1 *	9/2003	Kuo	A44C 9/0046
										63/15.45
						2006/0162380 A1 *	7/2006	Czajka	A44C 9/02
										63/15.6
						2007/0137249 A1 *	6/2007	Czajka	A44C 9/02
										63/15.6
						2015/0121958 A1 *	5/2015	Murray	A44C 9/0023
										63/15.1
						2015/0296932 A1	10/2015	Escobar		
						2019/0014869 A1 *	1/2019	Yep	A44C 9/0053

* cited by examiner

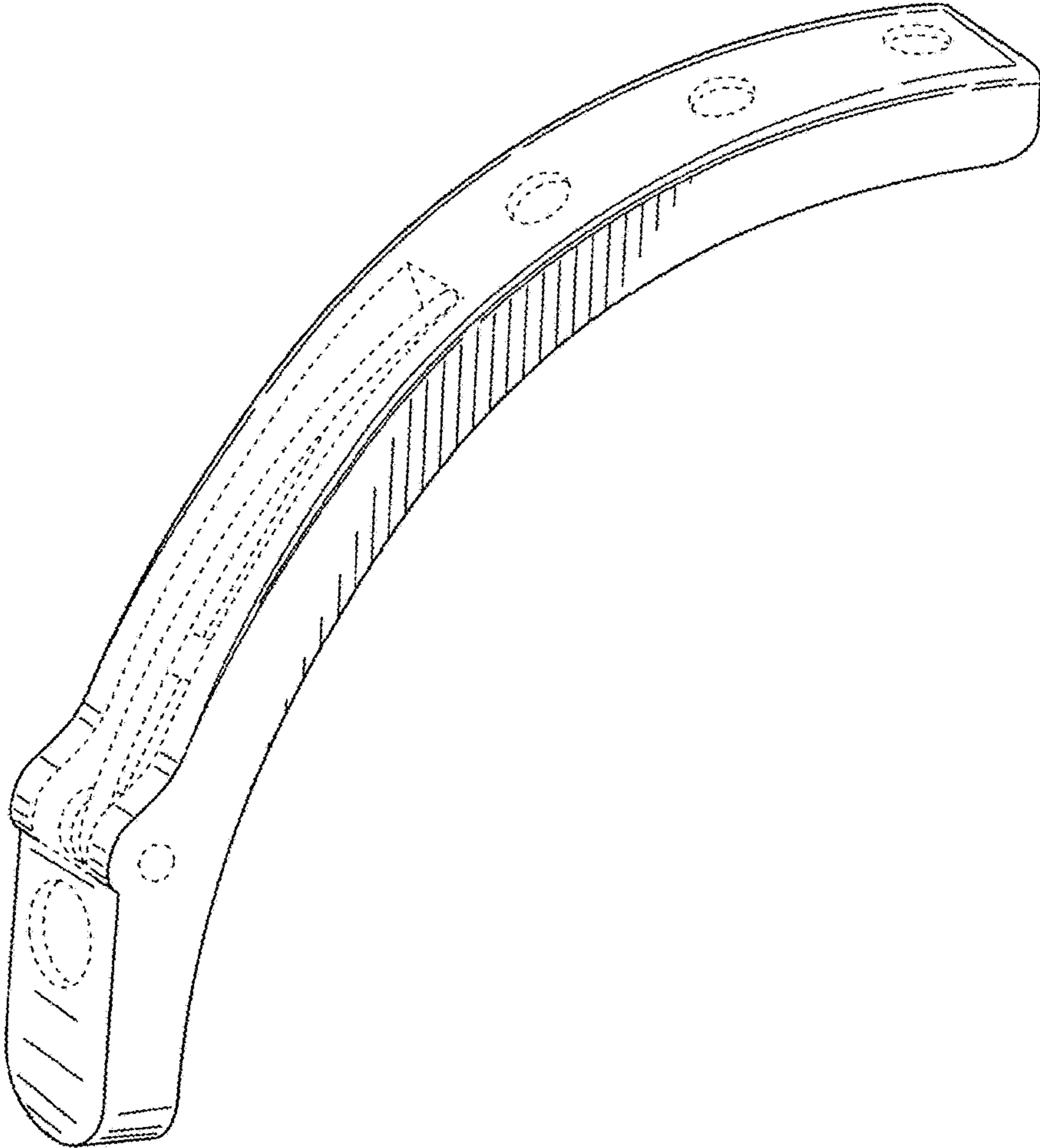


FIG. 1

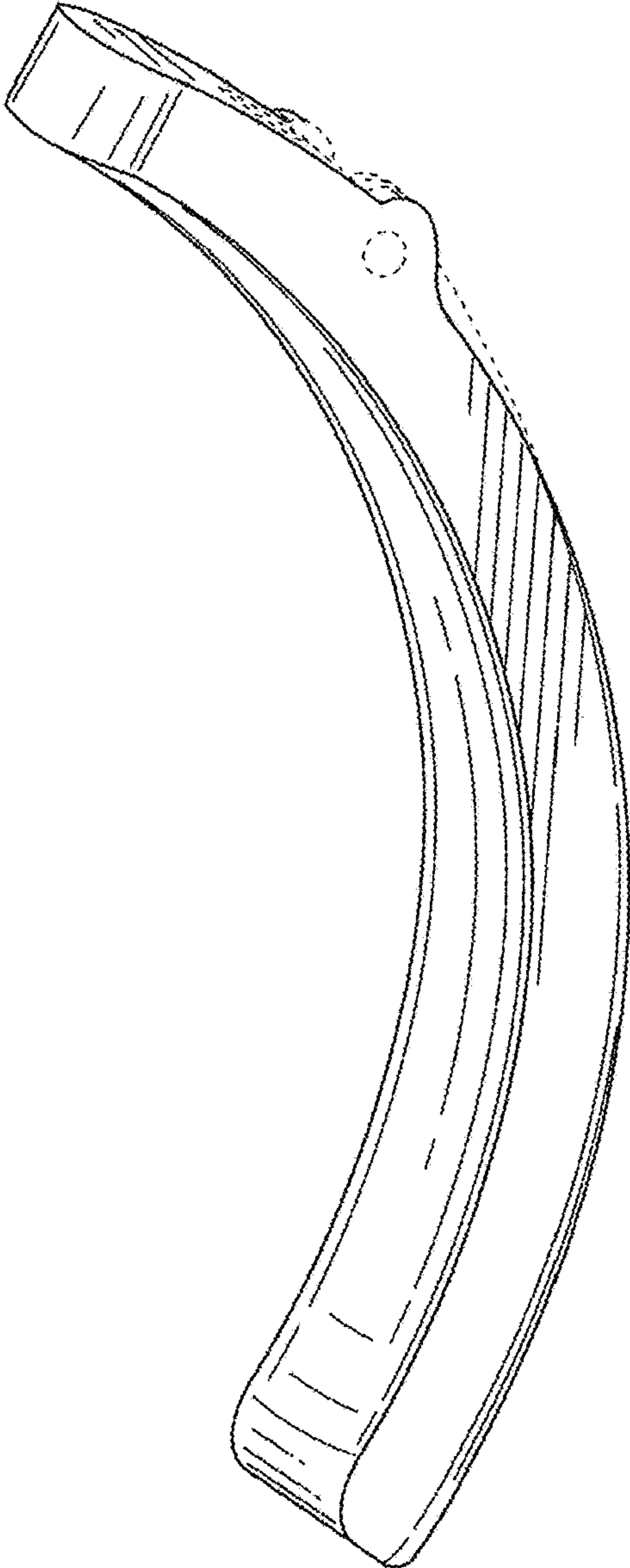


FIG. 2

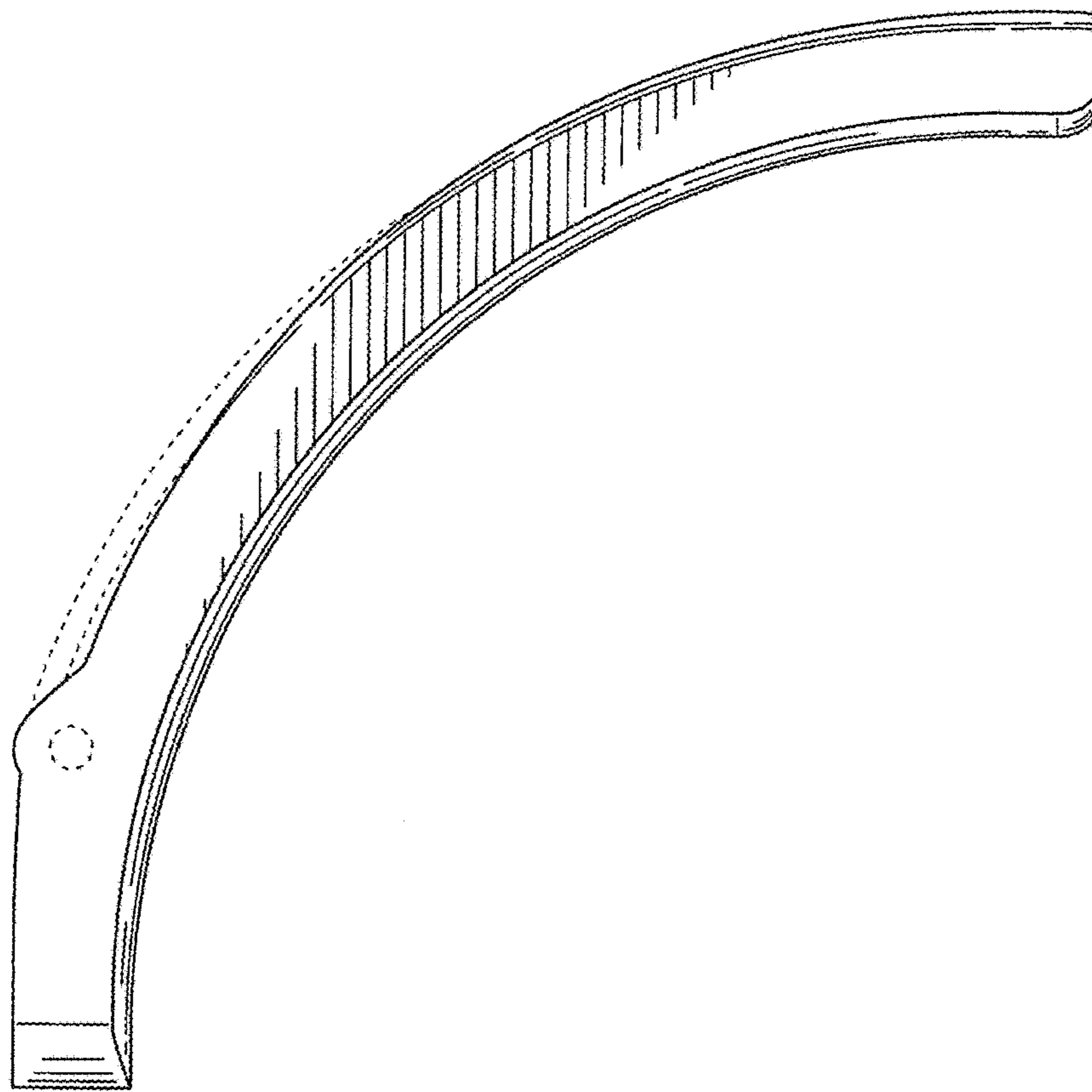


FIG. 3

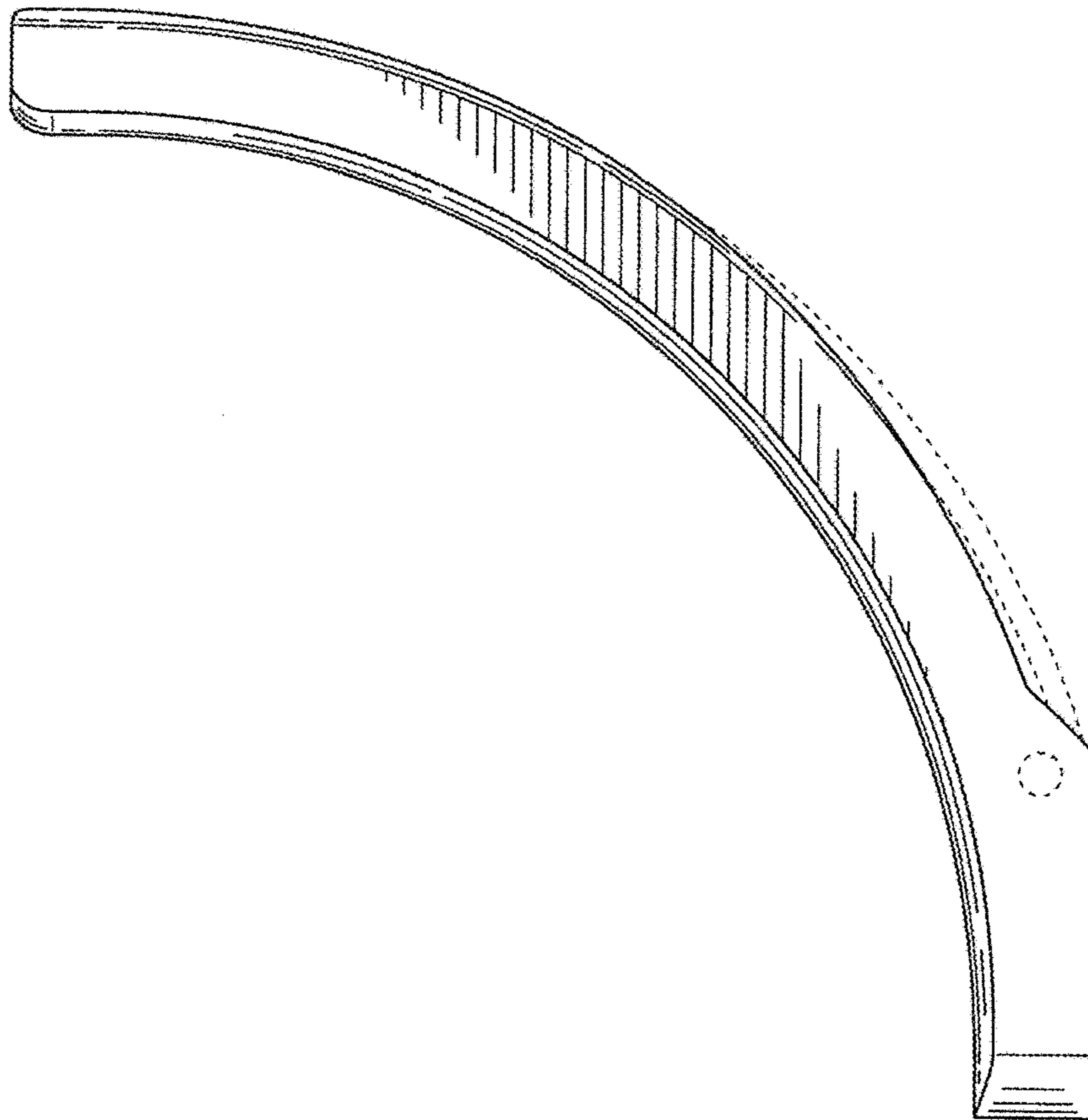


FIG. 4

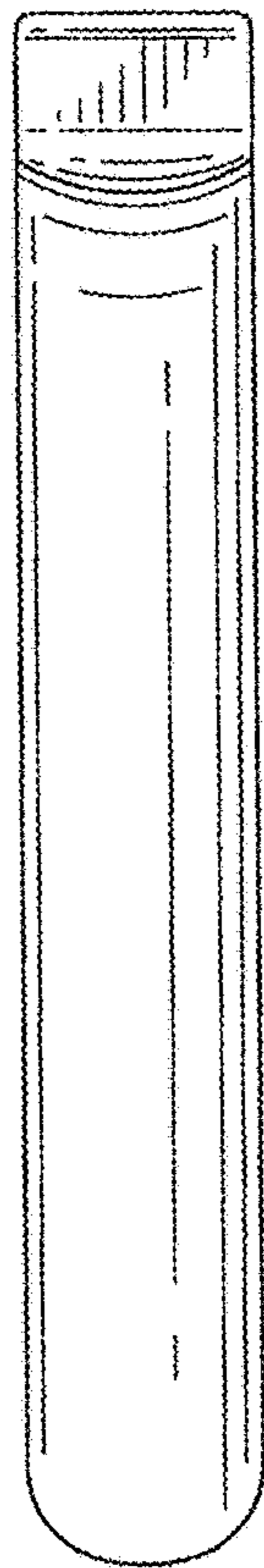


FIG. 5

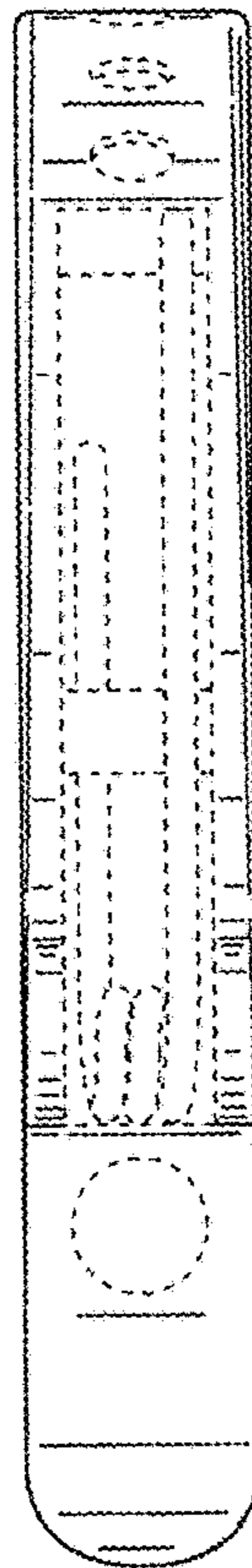


FIG. 6

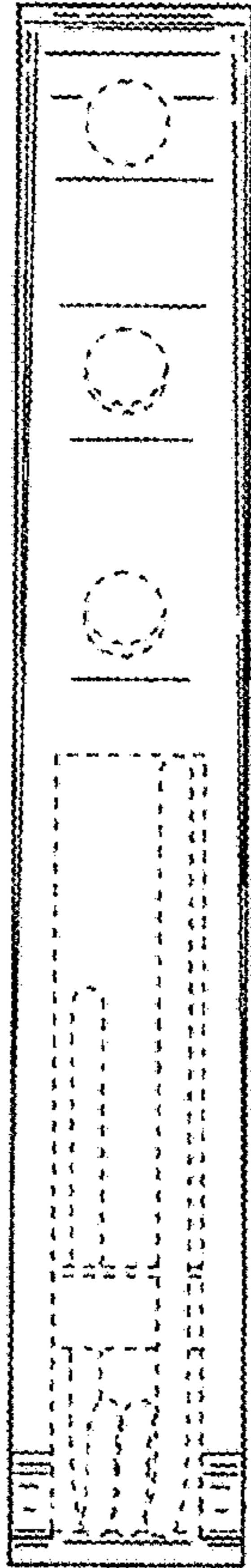


FIG. 7

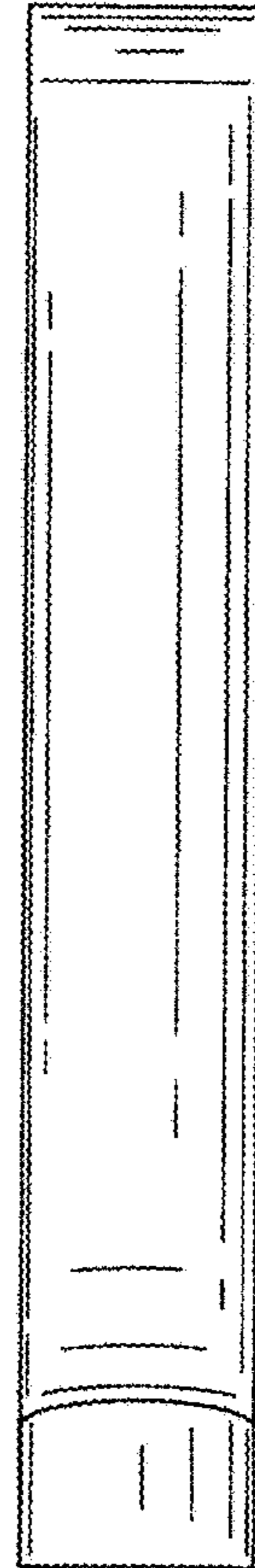


FIG. 8