



US00D863096S

(12) **United States Design Patent** (10) **Patent No.:** **US D863,096 S**  
**Akana et al.** (45) **Date of Patent:** **\*\* Oct. 15, 2019**

(54) **BAND**

(71) Applicant: **Apple Inc.**, Cupertino, CA (US)

(72) Inventors: **Jody Akana**, San Francisco, CA (US); **Molly Anderson**, San Francisco, CA (US); **Bartley K. Andre**, Palo Alto, CA (US); **Shota Aoyagi**, San Francisco, CA (US); **Anthony Michael Ashcroft**, San Francisco, CA (US); **Marine C. Bataille**, San Francisco, CA (US); **Jeremy Bataillou**, San Francisco, CA (US); **Daniele De Iuliis**, San Francisco, CA (US); **Markus Diebel**, San Francisco, CA (US); **M. Evans Hankey**, San Francisco, CA (US); **Julian Hoenig**, San Francisco, CA (US); **Richard P. Howarth**, San Francisco, CA (US); **Jonathan P. Ive**, San Francisco, CA (US); **Julian Jaede**, San Francisco, CA (US); **Duncan Robert Kerr**, San Francisco, CA (US); **Peter Russell-Clarke**, San Francisco, CA (US); **Benjamin Andrew Shaffer**, San Jose, CA (US); **Mikael Silvano**, San Francisco, CA (US); **Joe Sung Ho Tan**, San Francisco, CA (US); **Clement Tissandier**, San Francisco, CA (US); **Eugene Antony Whang**, San Francisco, CA (US); **Rico Zörkendörfer**, San Francisco, CA (US)

(73) Assignee: **Apple Inc.**, Cupertino, CA (US)

(\*\*) Term: **15 Years**

(21) Appl. No.: **29/687,235**

(22) Filed: **Apr. 11, 2019**

**Related U.S. Application Data**

(63) Continuation of application No. 29/675,321, filed on Dec. 31, 2018, which is a continuation of application No. 29/616,681, filed on Sep. 7, 2017, now Pat. No. Des. 837,082.

(51) **LOC (12) Cl.** ..... **11-01**

(52) **U.S. Cl.**

USPC ..... **D11/3**

(58) **Field of Classification Search**

USPC ..... D10/31, 32, 38, 39, 46, 70; D11/1-25, D11/86, 87; D14/344

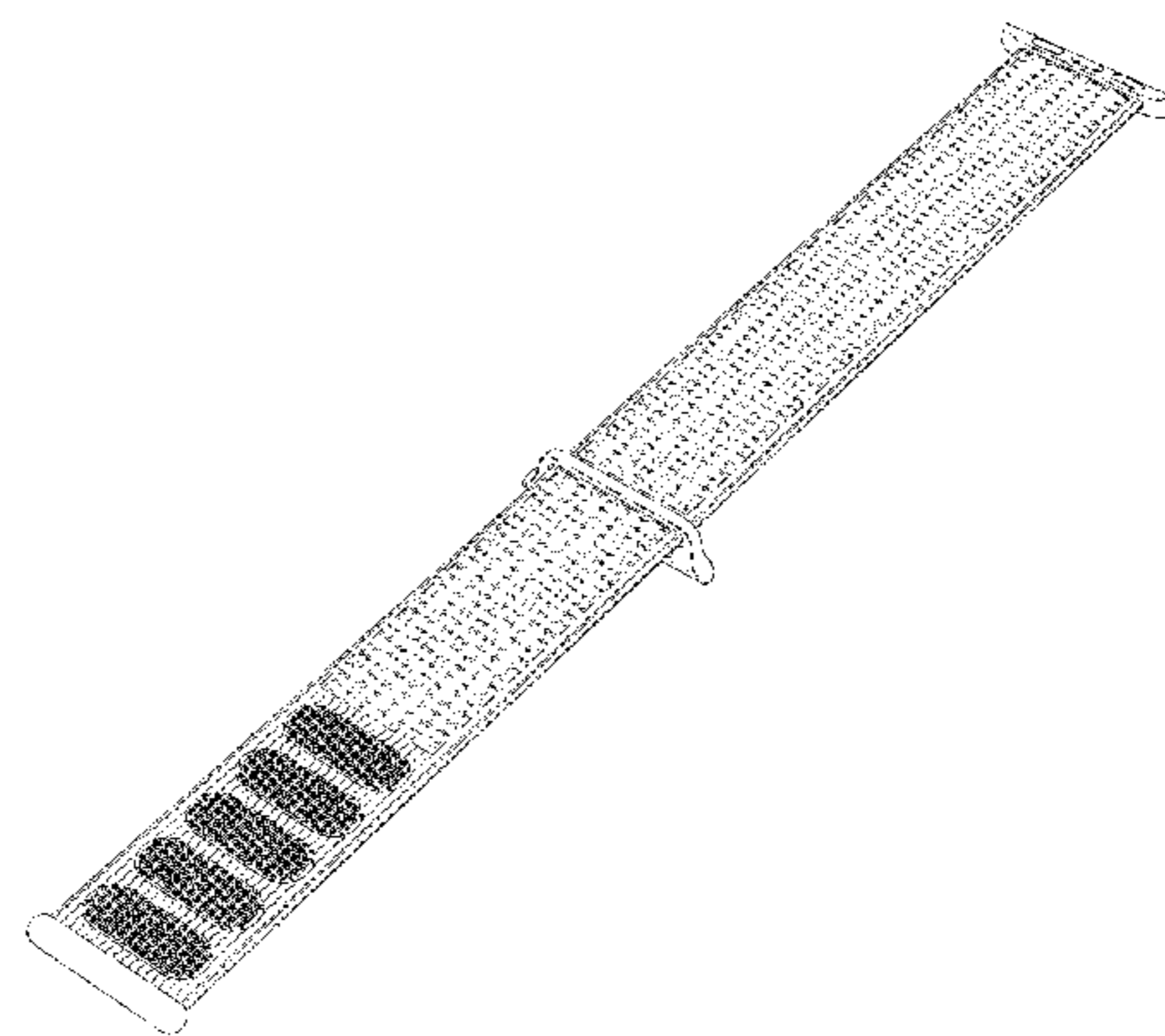
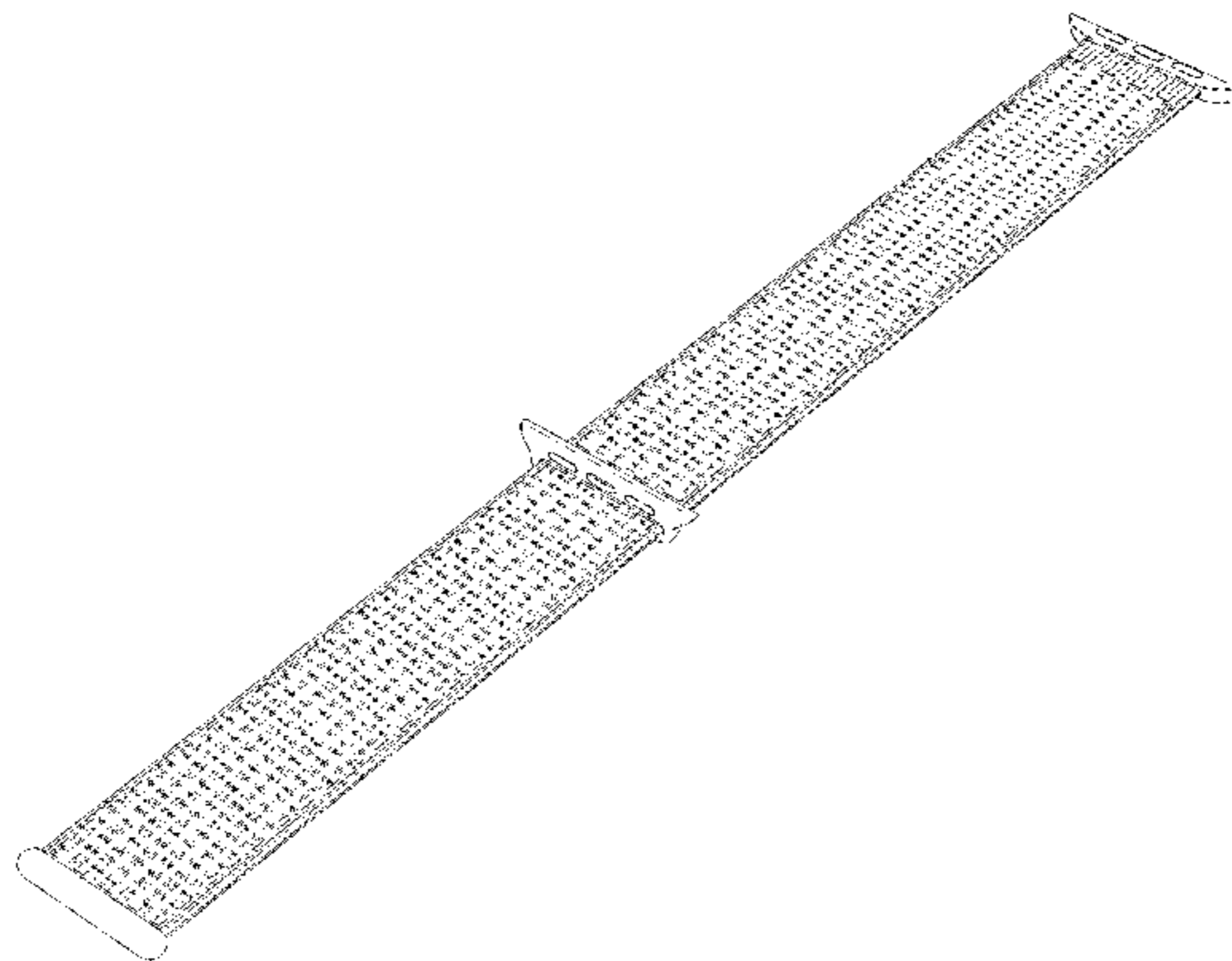
CPC .... A44C 5/12; A44C 5/14; A44C 5/18; A44C 5/0053; A44C 5/0069; A44C 5/0076; A44C 5/00; A44C 5/0007; A44C 5/0015; A44C 5/0023; A44C 5/003; A44C 5/0061; A44C 5/147; A44C 5/185; A44C 5/2047; A44C 5/2052; G04B 37/00; G04B 37/1486; A44B 11/006; A44B 11/24; A61B 5/681

See application file for complete search history.

(56) **References Cited**

**U.S. PATENT DOCUMENTS**

|             |         |                 |         |
|-------------|---------|-----------------|---------|
| 296,505 A   | 4/1884  | Babbitt         |         |
| 606,617 A   | 6/1898  | Zirnkilton      |         |
| 851,288 A   | 4/1907  | Hodges          |         |
| D76,609 S   | 10/1928 | Durand          |         |
| D83,282 S   | 2/1931  | Smith           |         |
| 1,962,037 A | 6/1934  | Schofer         |         |
| 2,434,383 A | 1/1948  | Benjamin        |         |
| 2,451,749 A | 10/1948 | Kreisler        |         |
| 2,451,750 A | 10/1948 | Kreisler et al. |         |
| 2,451,780 A | 10/1948 | Siska           |         |
| 2,498,211 A | 2/1950  | Kreisler        |         |
| D161,189 S  | 12/1950 | Kaibsj          |         |
| 3,030,686 A | 4/1962  | Burkhardt       |         |
| D217,389 S  | 4/1970  | Daringer        |         |
| 3,640,065 A | 2/1972  | Lederrey et al. |         |
| 3,665,565 A | 5/1972  | Kruger          |         |
| 3,675,284 A | 7/1972  | Rieth           |         |
| 3,686,734 A | 8/1972  | Labarte et al.  |         |
| 3,965,670 A | 6/1976  | Ihringer        |         |
| D263,869 S  | 4/1982  | Sumiyasu        | D13/183 |
| D269,254 S  | 6/1983  | Kishimoto       |         |
| D287,471 S  | 12/1986 | Sato et al.     |         |
| 4,627,231 A | 12/1986 | Kiuchi          |         |
| D297,123 S  | 8/1988  | Kabaya          |         |
| 4,963,410 A | 10/1990 | Bryant          |         |
| 5,002,212 A | 3/1991  | Charleton       |         |
| 5,168,603 A | 12/1992 | Reed            |         |
| 5,201,789 A | 4/1993  | Fontana         |         |
| D343,584 S  | 1/1994  | Olmes et al.    |         |
| D344,177 S  | 2/1994  | Mennie          | D2/610  |
| 5,363,351 A | 11/1994 | Carney          |         |









WO WO-2013182397 A1 12/2013  
 WO WO-2014135709 A2 9/2014

## OTHER PUBLICATIONS

22mm Interlocking Stainless Steel Mesh Divers Watch Band Bracelet, XX, < <http://www.strapcode.com/store/22mm-interlocking-stainless-steel-mesh-divers-watch-band-bracelet-p-1255.html>>, accessed on Dec. 4, 2014.

28mm Reform Stainless Steel “SHARK” Polished Mesh Watch Band Deployant Strap, < [http://www.ebay.com/itm/28mm-Reform-Stainless-Steel-SHARK-Polished-Mesh-Watch-Band-Deployant-Strap-/231397551849?pt=US\\_Watch\\_Bands&hash=item35e05e6ee9](http://www.ebay.com/itm/28mm-Reform-Stainless-Steel-SHARK-Polished-Mesh-Watch-Band-Deployant-Strap-/231397551849?pt=US_Watch_Bands&hash=item35e05e6ee9)>, accessed Dec. 4, 2014.

Adams, Ariel, “Max Bill By Junghans Watches for 2010,” A Blog to Watch.com, < <http://www.ablogtowatch.com/max-bill-by-junghans-watches-for-2010/>>, dated Mar. 25, 2010.

Alvarez, Edgar, “Basis Peak to get its smartwatch-like features in December,” engadget.com, < <http://www.engadget.com/2014/11/20/basis-peak-new-features/>>, dated Nov. 20, 2014, accessed Dec. 15, 2014.

Cool Material, “Braun Square Digital Watch,” < <http://web.archive.org/web/20111125033014/http://coolmaterial.com/style/braun-square-digital-watch/>>, dated Nov. 25, 2011, accessed Dec. 18, 2014.

Emily, “Nixon—The Newton Digital,” < <http://www.freshnessmag.com/2009/09/08/nixon-the-newton-digital/>>, freshnessmag.com, dated Sep. 8, 2009, accessed Oct. 9, 2014.

etsy.com, “1 Set Silver End Cap Clasp—Findings Large Toggle Clasp End Caps Buckle Connector with Five Inside Loops for Jewelry Making 26mm,” < <http://www.etsy.com/listing/101269004/1-set-silver-end-cap-clasp-findings?ref=market>>, Listed on Aug. 29, 2014, accessed Oct. 9, 2014.

Fitbit, “Fitbit Surge™ Fitness Super Watch” < <https://www.fitbit.com/surge>>, accessed Dec. 15, 2014.

geekbuying.com, “Makibes unisex red led digital wrist watch with square case silicone watchband—white,” < <http://www.geekbuying.com/item/Unisex-Red-LED-Digital-Wrist-Watch-with-Square-Case-Silicone-Watchband—White-326443.html>>, accessed Oct. 9, 2014.

Hadley Roma, Hadley-Roma Men’s MB3836RWSE 20 20-mm Stainless Steel Heavy Mesh Watch Strap, < [http://www.amazon.com/Hadley-Roma-MB3836RWSE-20-20-mm-Stainless/dp/B005EJFWFA/ref=sr\\_1\\_213?ie=UTF8&qid=1416670549&sr=8-213&keywords=watch+band](http://www.amazon.com/Hadley-Roma-MB3836RWSE-20-20-mm-Stainless/dp/B005EJFWFA/ref=sr_1_213?ie=UTF8&qid=1416670549&sr=8-213&keywords=watch+band)>, accessed Dec. 4, 2014.

Haedges, “1 Set Silver End Cap Clasp—Findings Large Toggle Clasp End Caps Buckle Connector with Five Inside Loops for Jewelry Making 26mm,” < <http://www.etsy.com/listing/101269004/1-set-silver-end-cap-clasp-findings?ref=market>>, Listed on Aug. 29, 2014, accessed Oct. 9, 2014.

Hodinkee.com, “Apple iPod Nano Now Available With Mickey Mouse Dial, Also Cheesy, Mechanically Inaccurate Open-Worked Dial,” < <http://web.archive.org/web/20111006043916/http://www.hodinkee.com/blog/2011/10/5/apple-ipod-nano-now-available-with-mickey-mouse-dial-also-ch.html>>, dated Oct. 6, 2011, accessed Dec. 18, 2014.

Homego, “M6 Silver Smart Watch Cell Phone 1.54 inch Bluetooth 3.0 Dialer Outdoor Sports Pedometer,” amazon.com, < <http://www.amazon.com/Silver-Bluetooth-Dialer-Outdoor-Pedometer/dp/B00MQTBGK6>>, accessed Dec. 15, 2014.

Ikepod, “Original Ikepod Watch With GMT—Marc Newson Design,” Watchbox.be, < <http://www.watchbox.be/prod/Others-Watches/Marc%20Newson%20Design/item7165.htm#.VJLm2fAo5D8>>, accessed Dec. 17, 2014.

JPO’s document HJ 20049477, cited in Official Action for JP2018-003556.

LG Life’s Good, “LG G Watch (W100),” < <http://www.lg.com/us/smart-watches/lg-W100-g-watch>>, accessed Dec. 18, 2014.

Metawatch, “Frame—Black (MW3005),” < <http://meta.watch/collections/smartwatch-all/products/frame-ss-black-leather>>, accessed Dec. 15, 2014.

Omate, “Omate TrueSmart: Water-resistant standalone Smartwatch 2.0,” < <http://www.kickstarter.com/projects/omate/omate-truesmart-water-resistant-standalone-smartwa>>, dated Aug. 21, 2013, accessed Oct. 8, 2014.

Omate, “The TrueSmart™ is the world’s first standalone smartwatch 2.0 running on top of Android and OUI 2.0,” < <http://www.omate.com/product.html>>, accessed Dec. 15, 2014.

[Online] <http://www.apple-market.co.uk/wp-content/uploads/2015/06/Apple-Watch-42mm-Stainless-Steel-Case-with-Milanese-Loop-O.jpg>. Retrieved Mar. 28, 2016.

[Online] [https://lh6.googleusercontent.com/zOUR6N5g8flHlouyyCpl7PGTLCMGI\\_hor1fADdMLMKdwkbbhVSU1zk-xdirsUk-KxTsHxN\\_In6WDNHZLo8HNhjGB7GWEXqtMA5bngmvH\\_MByEitDmuAc0TuFk86vYCArcw](https://lh6.googleusercontent.com/zOUR6N5g8flHlouyyCpl7PGTLCMGI_hor1fADdMLMKdwkbbhVSU1zk-xdirsUk-KxTsHxN_In6WDNHZLo8HNhjGB7GWEXqtMA5bngmvH_MByEitDmuAc0TuFk86vYCArcw). Retrieved Feb. 17, 2015.

[Online] [https://s.yimg.com/cd/resizer/2.0/FIT\\_TO\\_WIDTH-w500/8088fe4930fb9d97123f776d1cdcb7ca585d7485.jpg](https://s.yimg.com/cd/resizer/2.0/FIT_TO_WIDTH-w500/8088fe4930fb9d97123f776d1cdcb7ca585d7485.jpg). Retrieved Feb. 17, 2015.

[Online] <http://www.gyrofish.com.au/media/catalog/product/cache/1/image/650x650/9df78eab33525d08d6e5fb8d27136e95/t/r/triwestirling-lansen-chrono-mesh-watch-01.jpg>. Retrieved Mar. 28, 2016.

[Online] [http://www.kingice.com/media/catalog/Product/Cache/1/image/9df78eab33525d08d6e5fb8d27136e95/m/e/menswatches-acx10059\\_1100.jpg](http://www.kingice.com/media/catalog/Product/Cache/1/image/9df78eab33525d08d6e5fb8d27136e95/m/e/menswatches-acx10059_1100.jpg). Retrieved Mar. 28, 2016.

[Online] [http://www.luxurywatchstraps.co.uk/image\\_library/P2260073\\_zpsdd51d922.JPG](http://www.luxurywatchstraps.co.uk/image_library/P2260073_zpsdd51d922.JPG). Retrieved Mar. 28, 2016.

Pebble, “Pebble Smartwatch,” getpebble.com, < <https://getpebble.com/checkout>>, accessed Dec. 15, 2014.

Hands-on with Apple’s new Sport Loop band for Apple Watch, available online, [retrieved on Sep. 13, 2018]. Retrieved from the Internet [URL: <http://www.idownloadblog.com/2017/09/14/hands-on-with-apples-new-sport-loop-apple-watch-band/>].

ThorMax sport woven nylon loop strap for apple watch band wrist bracelet belt fabric-like nylon band for iwatch 1 2 3 NY1008; Source: ThorMax: Retrieved from the Internet: URL: <https://goamiroo.com/products/thormax-sport-woven-nylon-loop-strap-for-apple-watch-band-wrist-bracelet-belt-fabric-like-nylon-band-for-iwatch1-2-3-ny1008>).

Ruano, L., “Ikepod Solaris Watch by Marc Newson,” Hypebeast.com, < <http://hypebeast.com/2009/1/ikepod-solaris-watch-by-marc-newson>>, dated Jan. 12, 2009.

Samsung, “Samsung Gear™ 2 Charcoal Black SM-R3800VSAXAR,” < <http://www.samsung.com/us/mobile/wearable-tech/SM-R3800VSAXAR>>, accessed Dec. 15, 2014.

Samsung, “Samsung Gear S™, (Sprint), Black SM-R750PZKASPR,” < <http://www.samsung.com/us/mobile/wearable-tech/SM-R750PZKASPR>>, accessed Dec. 15, 2014.

Samsung, “Galaxy Gear™ Live, Black SM-R3820ZKAXAR,” < <http://www.samsung.com/us/mobile/wearable-tech/SM-R3820ZKAXAR>>, accessed Dec. 15, 2014.

Sony, “SmartWatch 3 SWR50,” < <http://www.sonymobile.com/us/products/smartwear/smartwatch-3-swr50/>>, accessed Dec. 15, 2014.

Sony, “SmartWatch,” < <http://www.sonymobile.com/us/products/accessories/smartwatch/>>, accessed Dec. 15, 2014.

Stables, James, “Clevercare smartwatch aims to help Alzheimer’s suffers and carers: Revamped Sony SmartWatch 2 designed for users that need care,” Wearable News, < <http://www.wearable.com/wearable-tech/clevercare-smartwatch-aims-to-help-alzheimers-suffers-and-carers-585>>, dated Dec. 15, 2014.

Team Luxe, “Collectors Edition: Hermes Carre H Watch,” Luxpresso, < <http://luxpresso.com/news-couture/collectors-edition-hermes-carre-h-watch/2814>>, dated Jan. 10, 2011, accessed Dec. 18, 2014.

Ted Baker, “Ted Baker Men’s TE1054 Time Flies Contemporary Square Digital Case Watch,” < <http://www.amazon.com/Ted-Baker-TE1054-Contemporary-Digital/dp/B0045CRTYO%3FSubscriptionId%3DAKIAJ3U4YRIBWCGGKZ2A%26tag%3Dfrases365-20%26linkCode%3Dsp1%26camp%3D2025%26creative%3D165953%26creativeASIN%3DB0045CRTYO>>, accessed Oct. 9, 2014.

The Alt Team, “Ziiro Celeste Watch Hands-On”, Dec. 12, 2012, (<http://www.gadgetmac.com/alt/ziiro-celeste-watch-hands-on.html>), accessed Dec. 4, 2014.



Velazco, Chris, "ASUS ZenWatch review: subtle and stylish, with a few shortcomings," Engadget.com, < <http://www.engadget.com/2014/12/11/asus-zenwatch-review/>>, dated Dec. 11, 2014, accessed Dec. 15, 2014.

Watches Infoniac.com, "Hermes Carre H Watch—Extremely Contemporary Design," < <http://watches.infoniac.com/carre-h-watch-hermes.html>>, dated Aug. 13, 2010, accessed Dec. 18, 2014.

Watchismo, "Braun BN0042 Black Date Leather," < <http://web.archive.org/web/20130815073830/http://www.watchismo.com/braun-bn0042bkbk.aspx>>, dated Aug. 15, 2013, accessed Dec. 18, 2014.

\* cited by examiner

*Primary Examiner* — Kevin K Rudzinski

*Assistant Examiner* — Richard Kearney

(74) *Attorney, Agent, or Firm* — Sterne, Kessler, Goldstein & Fox P.L.L.C.

(57)

**CLAIM**

The ornamental design for a band, as shown and described.

**DESCRIPTION**

FIG. 1 is a bottom front perspective view of a band showing the claimed design;

FIG. 2 is a bottom rear perspective view thereof;

FIG. 3 is a front view thereof;

FIG. 4 is a rear view thereof;

FIG. 5 is a left side view thereof;

FIG. 6 is a right side view thereof;

FIG. 7 is a bottom view thereof;

FIG. 8 is a top view thereof; and,

FIG. 9 is a perspective view thereof showing the band in an environment in which it may be used.

The dashed broken lines in the figures show portions of the band and environment that form no part of the claimed design.

The dot-dash broken lines in the figures and the areas within show portions of the band that form no part of the claimed design.

**1 Claim, 5 Drawing Sheets**

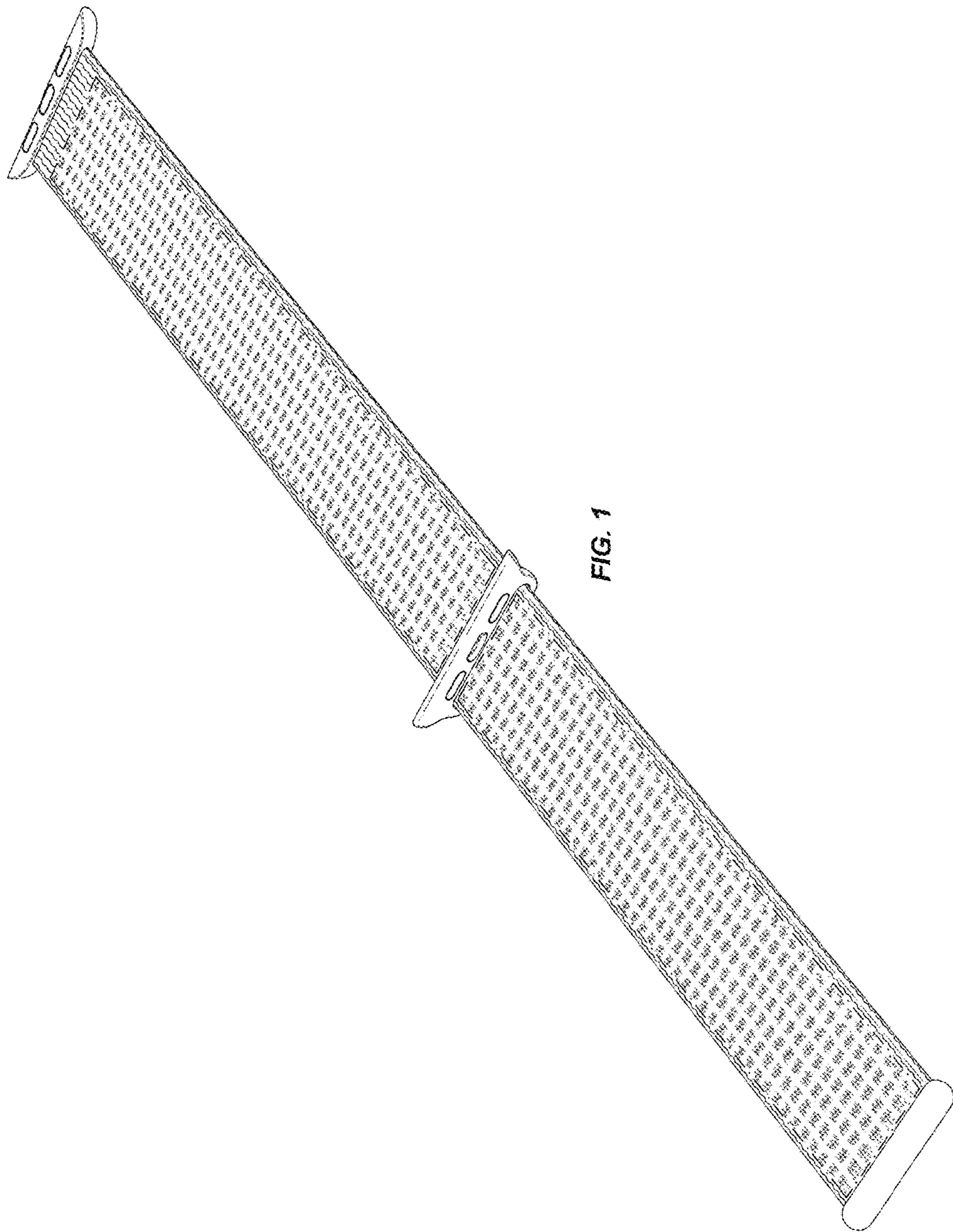


FIG. 1

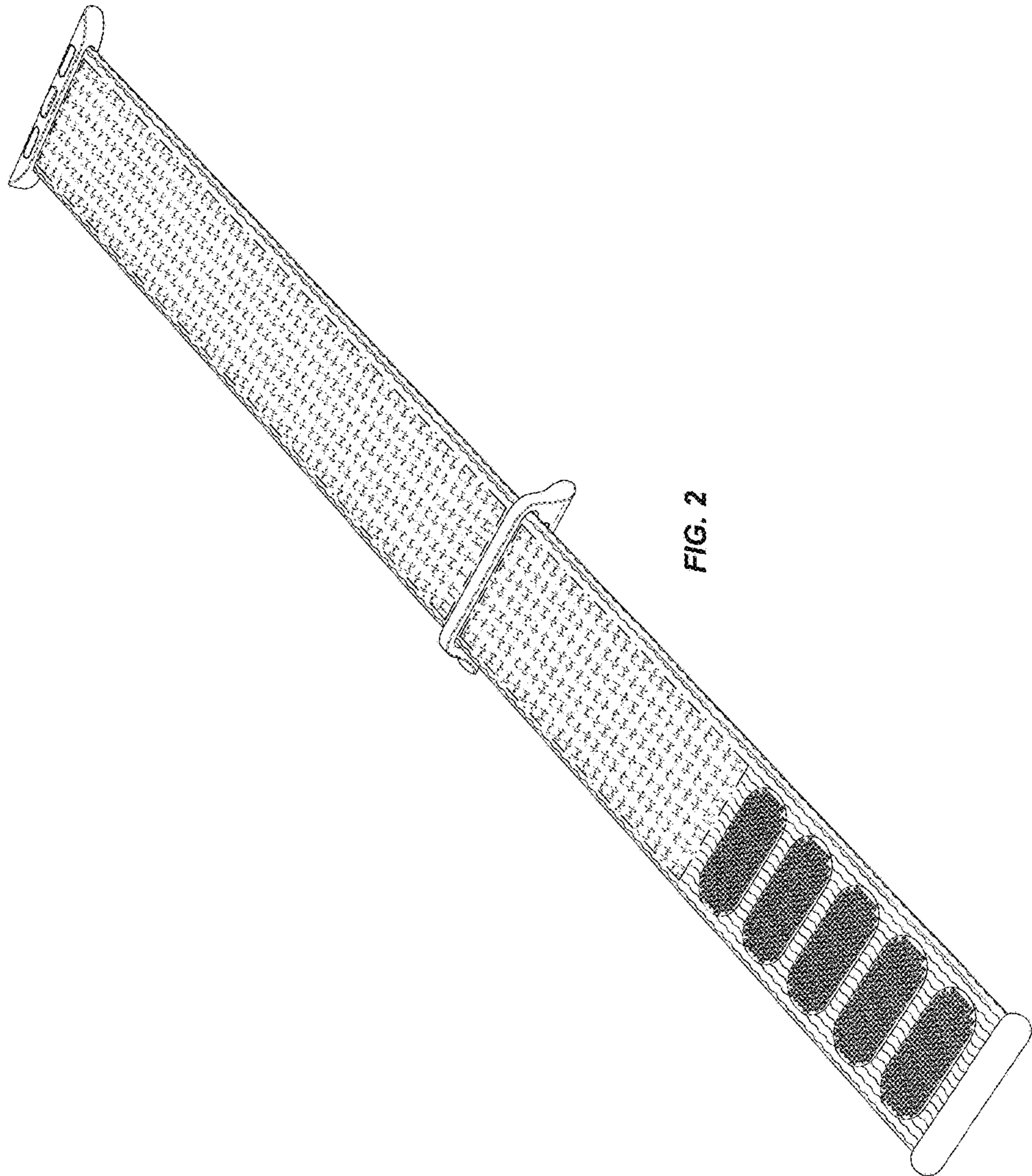


FIG. 2



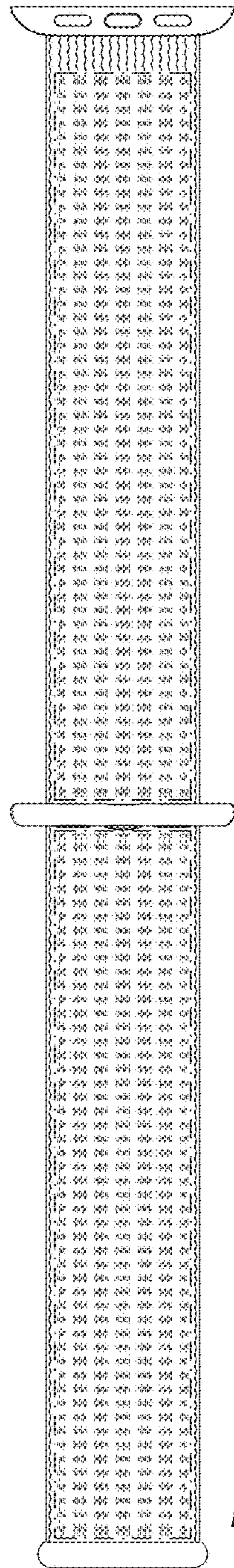


FIG. 3

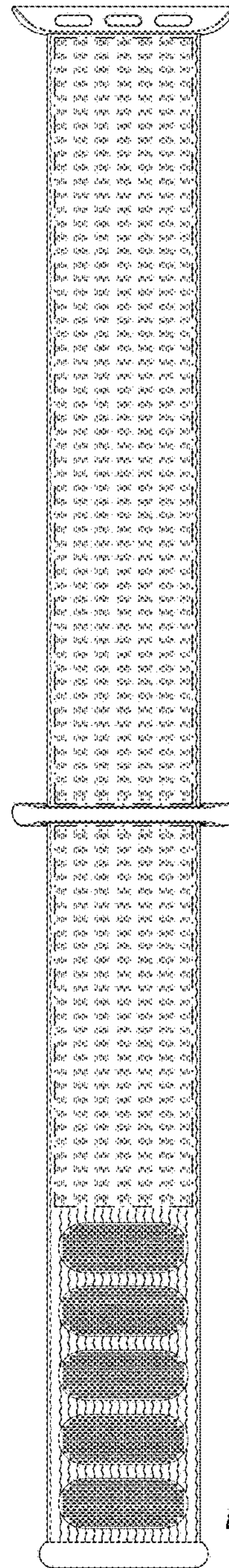


FIG. 4

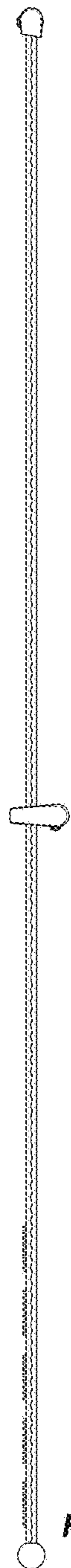


FIG. 5

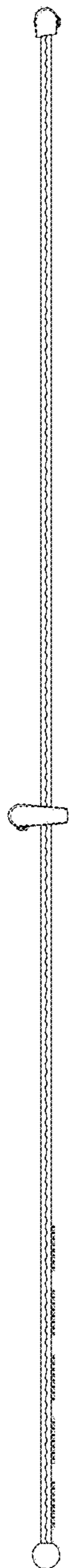


FIG. 6

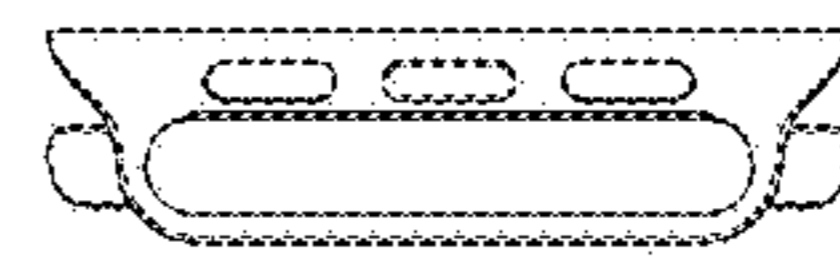


FIG. 7

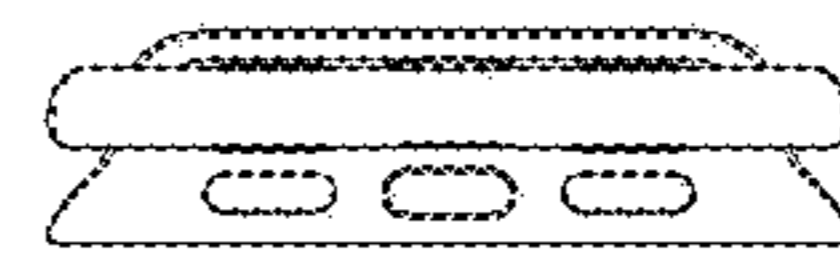


FIG. 8



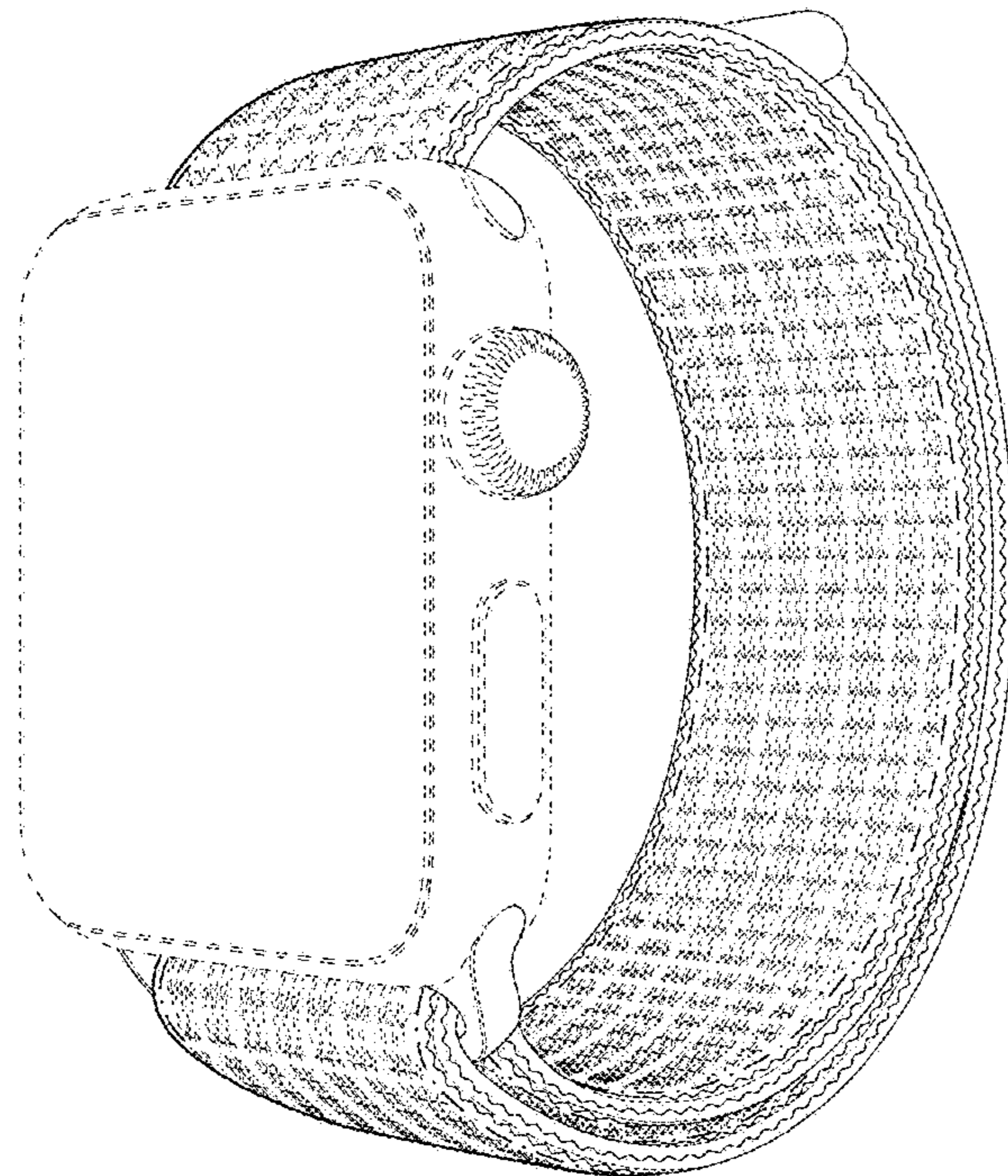


FIG. 9