



US00D863088S

(12) **United States Design Patent** (10) **Patent No.:** **US D863,088 S**  
**Chatzikonstantinou** (45) **Date of Patent:** **\*\* Oct. 15, 2019**

(54) **FLOW CHECKING APPARATUS** D423,388 S \* 4/2000 Oakley ..... D10/96  
D427,096 S \* 6/2000 McCarthy ..... D10/96  
(71) Applicant: **Heinrichs Messtechnik GmbH, Köln** 6,776,052 B2 8/2004 Crisfield et al.  
(DE) 7,971,494 B2 \* 7/2011 Hussain ..... G01F 1/8413  
73/861.355  
(72) Inventor: **Thomas Chatzikonstantinou, Aachen** D668,979 S \* 10/2012 Robb ..... D10/96  
(DE) D674,302 S \* 1/2013 Robb ..... D10/96  
D744,362 S \* 12/2015 Feng ..... D10/96  
(73) Assignee: **HEINRICHS MESSTECHNIK** 10,024,702 B2 \* 7/2018 Feng ..... G01F 1/8413  
**GMBH, Köln (DE)** 2010/0005906 A1 1/2010 Shimizu et al.  
2011/0041623 A1 2/2011 Lanham et al.

(\*\*) Term: **15 Years**

(21) Appl. No.: **29/650,634**

(22) Filed: **Jun. 8, 2018**

(30) **Foreign Application Priority Data**

Dec. 8, 2017 (EM) ..... 004541183

(51) **LOC (12) Cl.** ..... **10-04**

(52) **U.S. Cl.**  
USPC ..... **D10/96**

(58) **Field of Classification Search**  
USPC ..... D10/96  
CPC ..... G01F 1/84; G01F 1/8404; G01F 1/8409;  
G01F 1/8413; G01F 1/8418; G01F  
1/8422; G01F 1/8427; G01F 1/8431;  
G01F 1/8436; G01F 1/844; G01F 1/8445;  
G01F 1/845; G01F 1/8454; G01F 1/8459;  
G01F 1/8463; G01F 1/8468; G01F  
1/8472; G01F 1/8477; G01F 1/8481;  
G01F 1/8486; G01F 1/849; G01F 1/8495  
See application file for complete search history.

(56) **References Cited**

**U.S. PATENT DOCUMENTS**

D418,767 S \* 1/2000 Oakley ..... D10/96  
D419,088 S \* 1/2000 Oakley ..... D10/96

**FOREIGN PATENT DOCUMENTS**

EP 1429119 A1 6/2004

\* cited by examiner

*Primary Examiner* — Antoine Duval Davis

(74) *Attorney, Agent, or Firm* — The Roy Gross Law Firm, LLC; Roy Gross

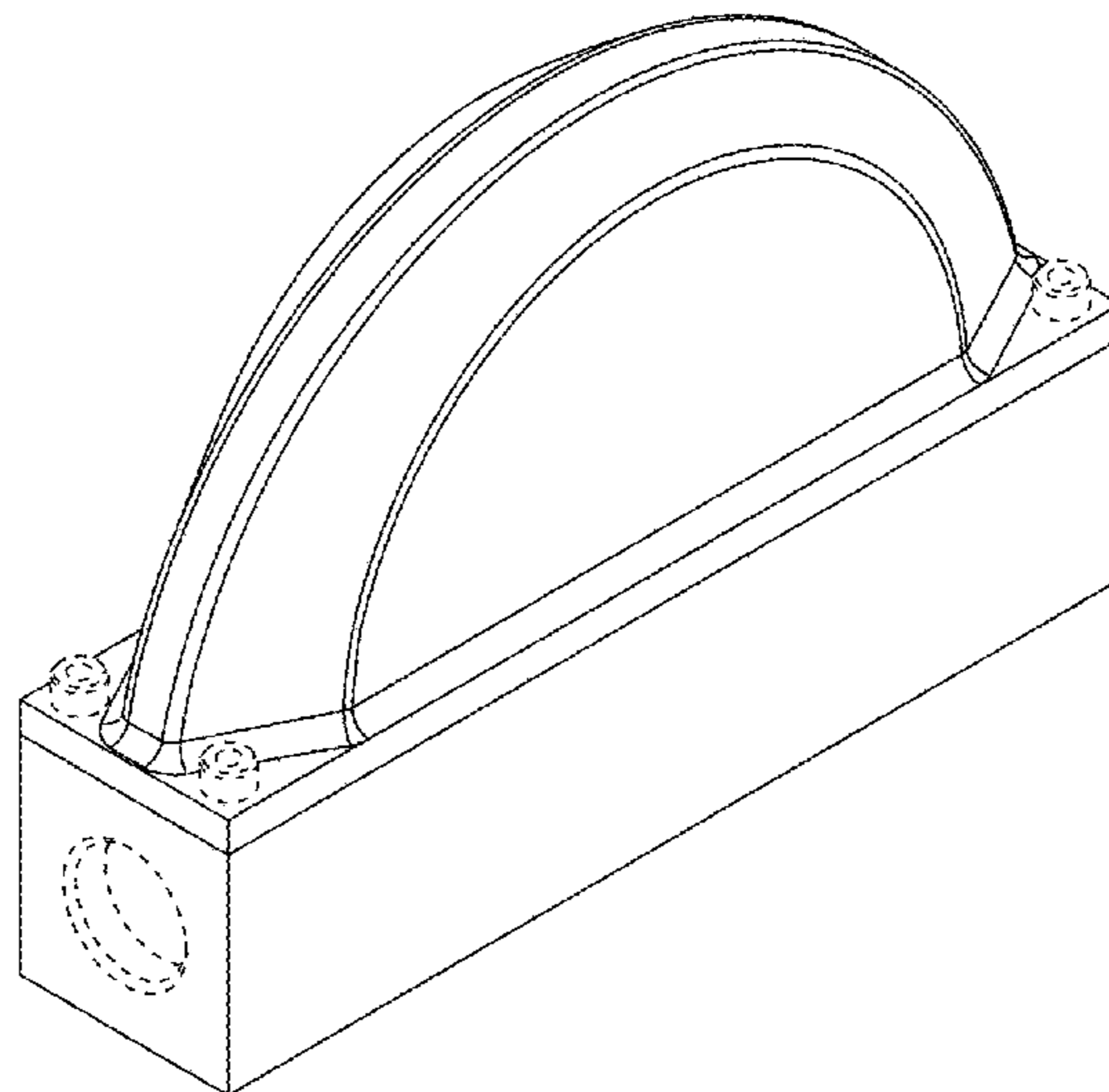
(57) **CLAIM**

The ornamental design for flow checking apparatus, as shown and described.

**DESCRIPTION**

FIG. 1 is a perspective view of a flow checking apparatus in accordance with the new design;  
FIG. 2 is a front view thereof;  
FIG. 3 is a rear view thereof;  
FIG. 4 is a left side view thereof;  
FIG. 5 is a right side view thereof;  
FIG. 6 is a top view thereof; and,  
FIG. 7 is a bottom view thereof.

**1 Claim, 7 Drawing Sheets**



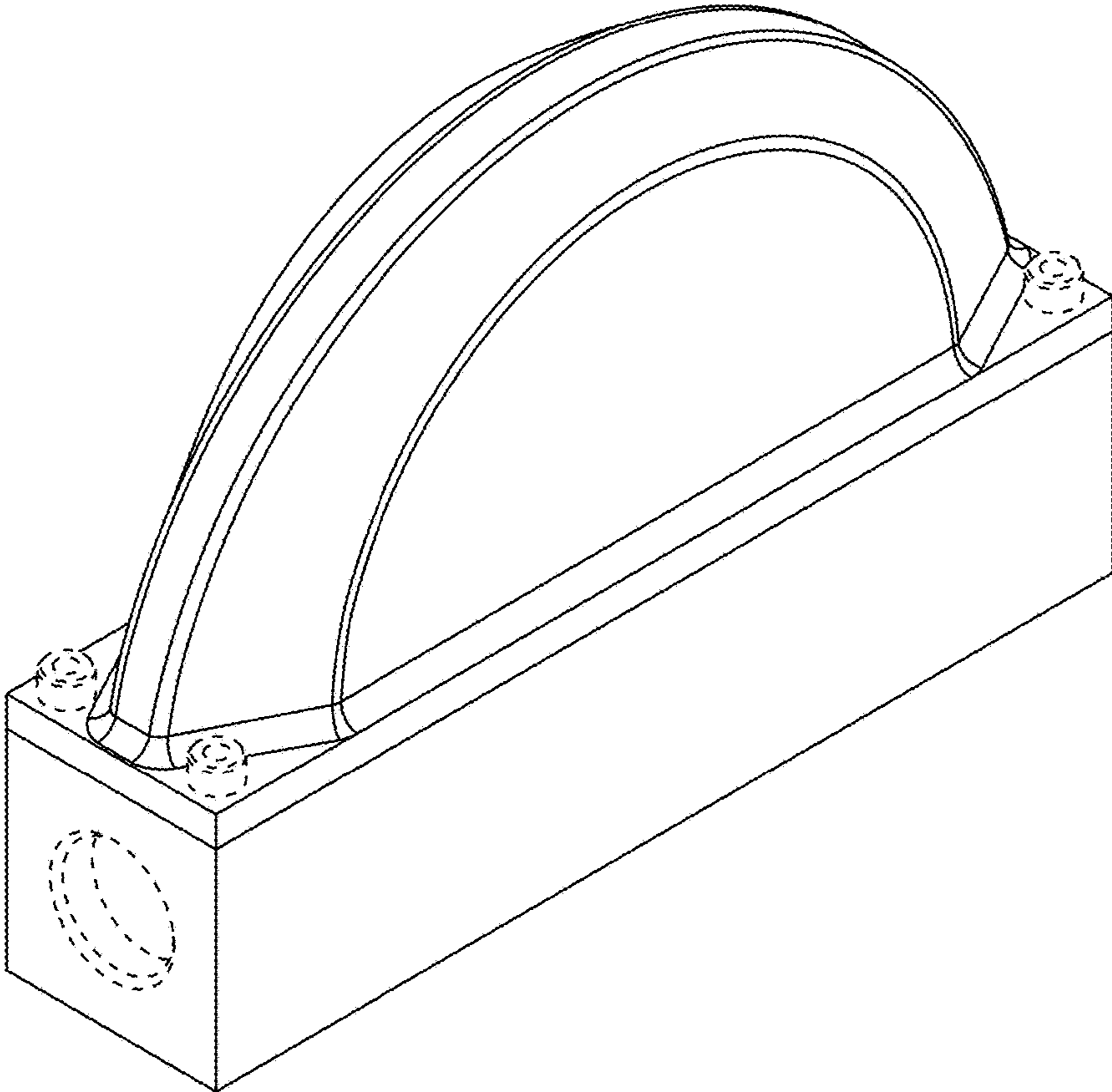


Fig. 1

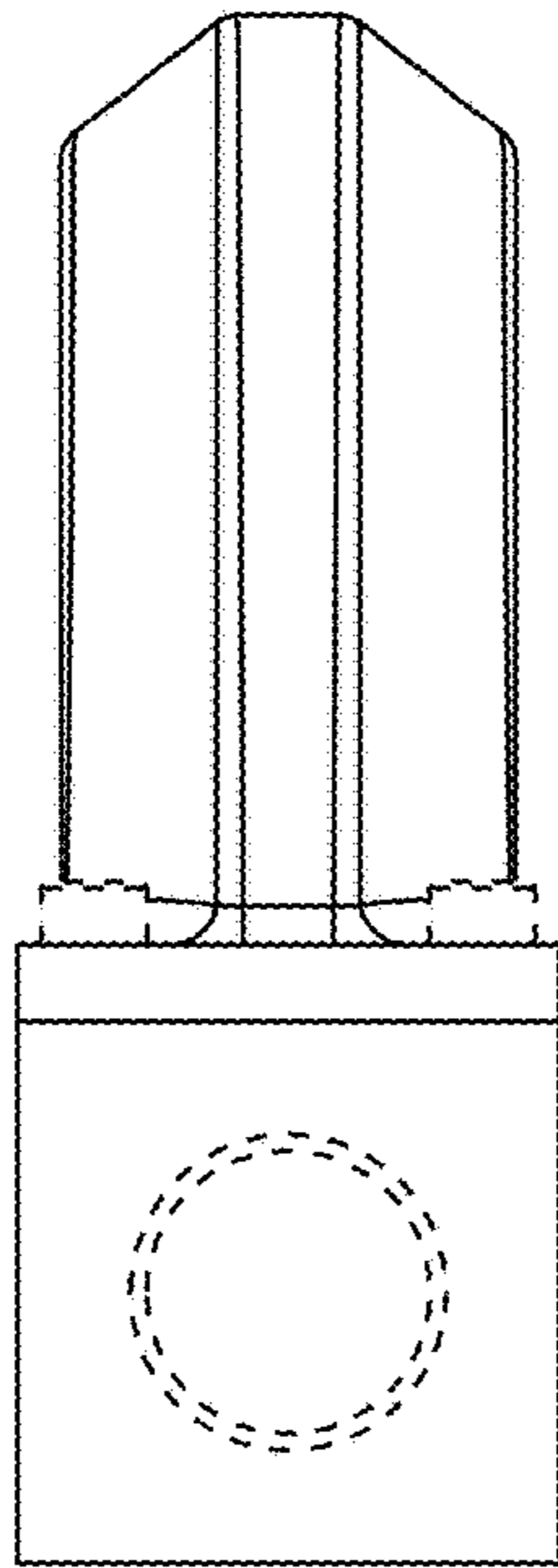


Fig. 2

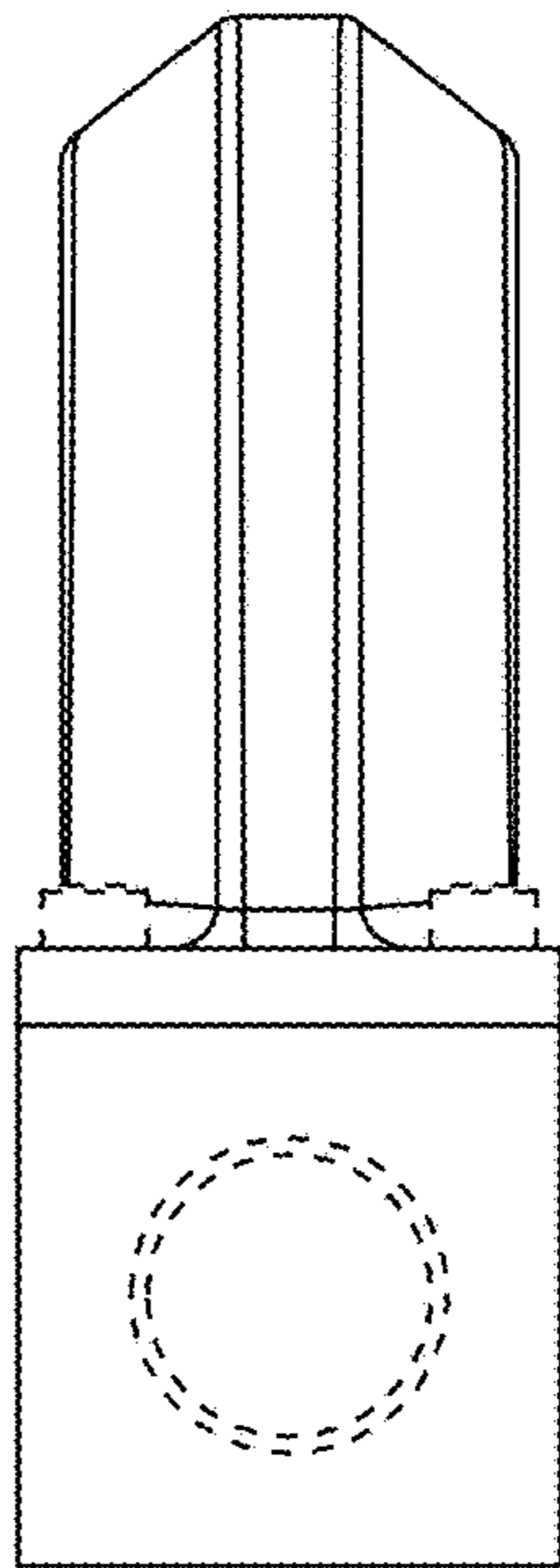


Fig. 3

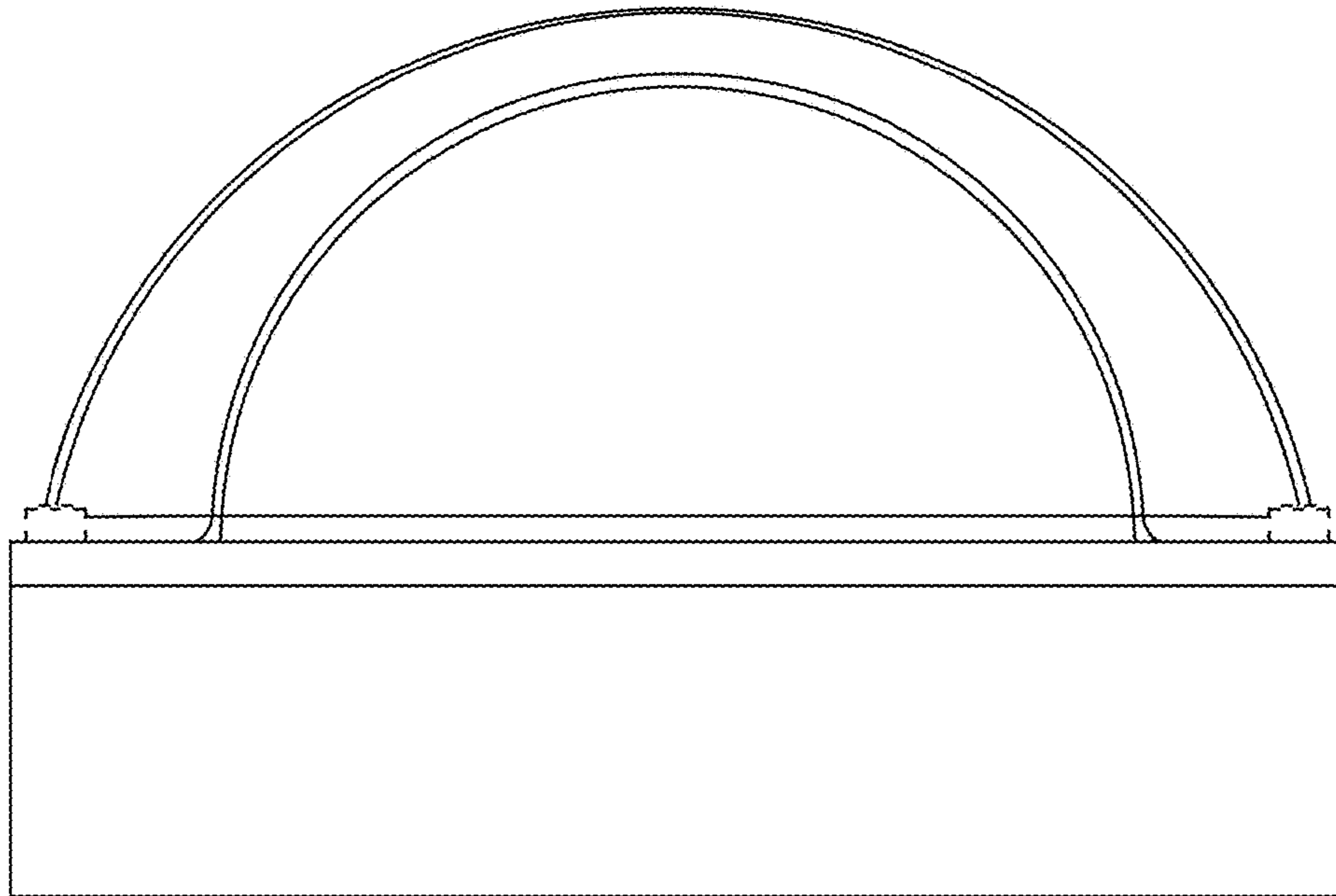


Fig. 4

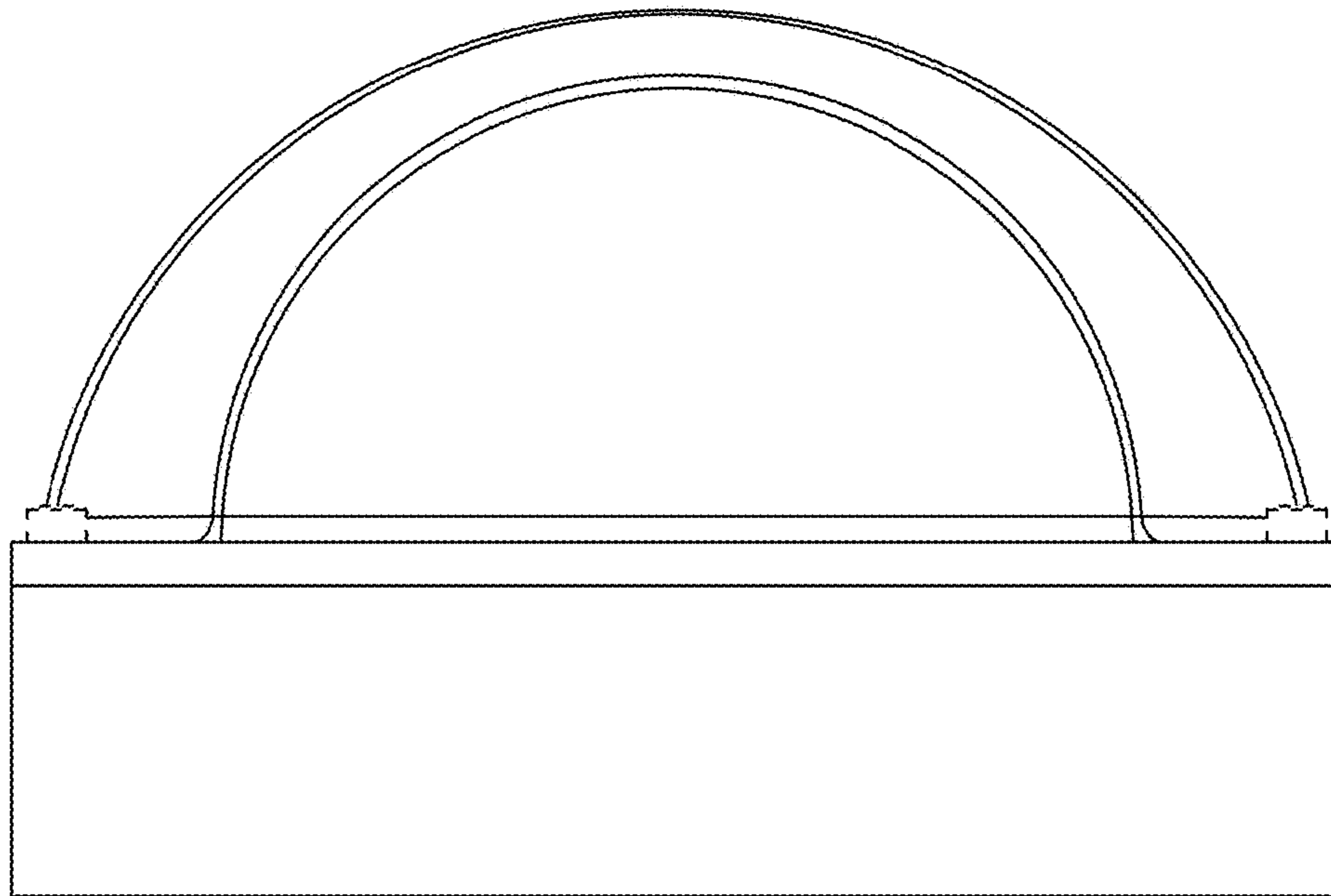


Fig. 5

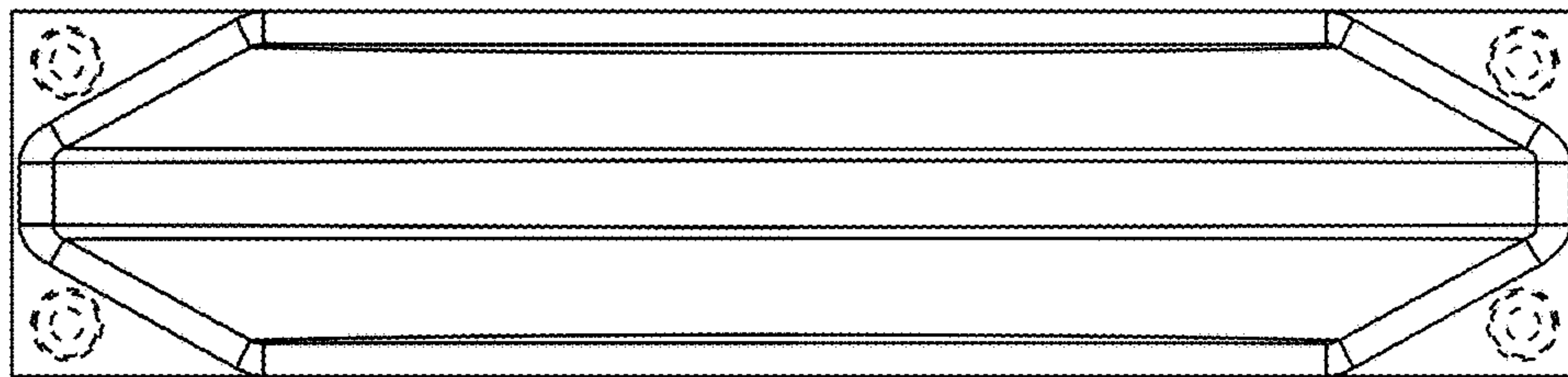


Fig. 6

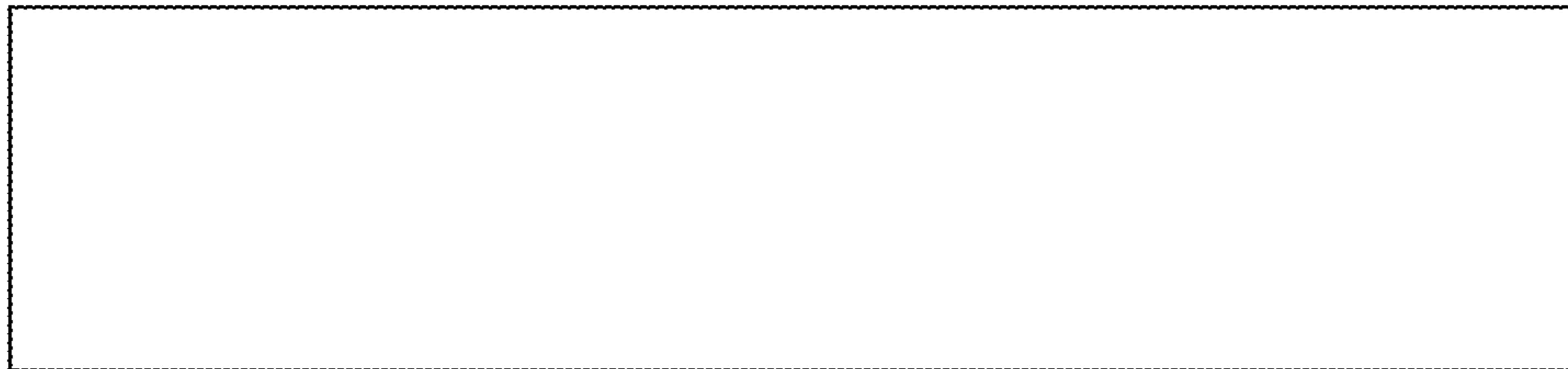


Fig. 7